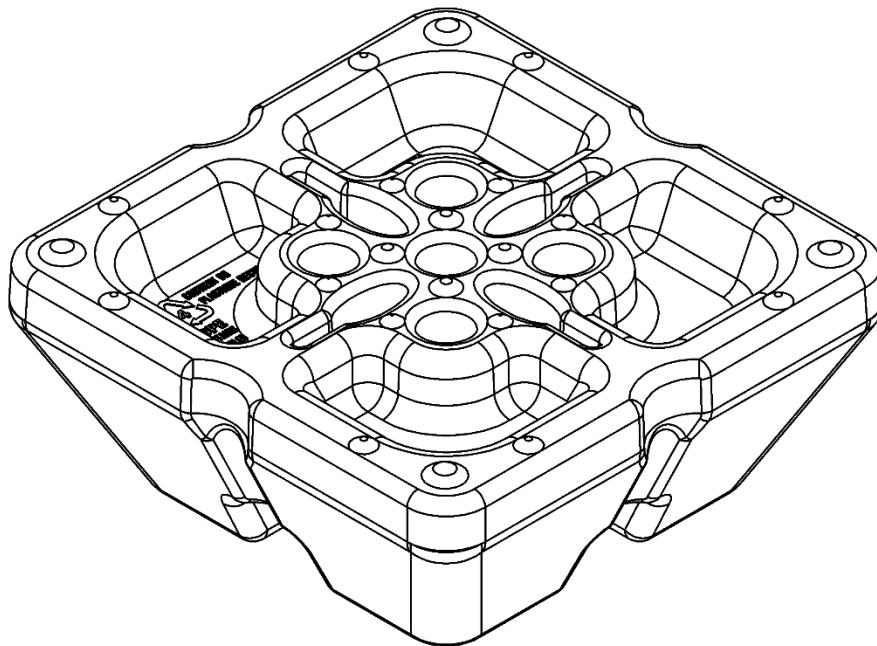
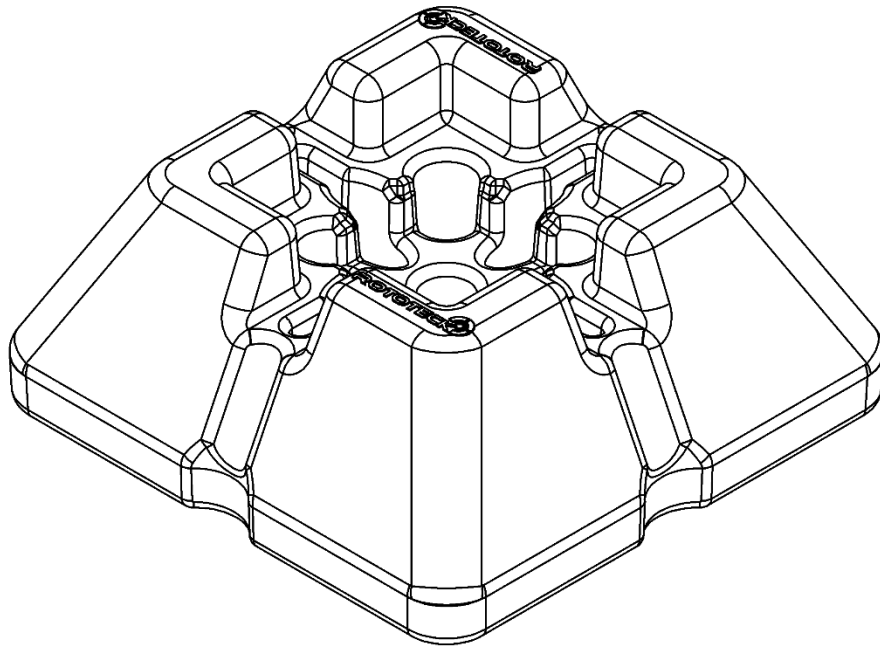


Specification sheet:

RotoBlock™ – Recycled polymer deck base



Description:

The **RotoBlock™** is a durable and eco-friendly support base designed for outdoor structures such as patios, sheds, gazebos, and other landscaping projects.

Made from recycled polyethylene resin, it does not crumble like concrete and withstands extreme weather conditions.

Lightweight, easy to handle, and ready to use, it simplifies the installation of outdoor structures without compromising strength.

Technical Specifications:

- **Compatibility:** 4x4, 6x6, 2x4, 2x6 and 2x8
 - **Unit Weight:** 1.4 kg (3.08 lb)
 - **Dimensions:** 11.75 in x 11.75 in x 5 in
 - **Load Capacity:** 2,500 lb per block
 - **Material:** Blend of recycled and virgin polyethylene of various densities (primarily Canadian resin)
 - **UV Resistance:** Yes
 - **Freeze Resistance:** Excellent
 - **Resilience:** Resistant to impacts and drops
 - **Use:** Outdoor – light to heavy-duty foundations
-

Advantages:

- Will never crumble (unlike concrete)
 - Ultra-lightweight: easy to transport, handle, and install
 - Reduces risk of injury compared to concrete blocks
 - Simplified transportation and storage (space-saving, reduced weight)
 - Eco-friendly product (recycled resin)
 - Quick installation, no specialized tools required
 - Weather resistant: frost, UV, and impacts
 - Maintenance-free
-

Applications:

- Patios
 - Sheds
 - Gazebos
 - Spas
 - Temporary or permanent decks
 - Heavy outdoor furniture
-

Installation Steps:

1. Calculate the number of blocks required

Ensure the total weight of the structure does not exceed the capacity of 2,500 lb **per block**.

Recommendation:

One block every **6 feet** for simple and effective load distribution.

2. Ground preparation

- The ground must be level and compacted
 - Add sand or gravel if needed
 - Compact thoroughly before placing the block
-

3. Installing the RotoBlock™

- Place the block directly on the compacted ground
 - No filling required
-

IMPORTANT

DO NOT FILL the RotoBlock™ with sand, water, or any other material.

Its structural rigidity is ensured by its monoblock design.

Adding any material is unnecessary and may compromise product performance.

Project build example:

Robert builds a patio with:

- Wood: 1,000 lb
- Spa: 4,500 lb
- Gazebo: 400 lb
- Furniture: 500 lb
- 8 people: 1,360 lb

Total: 7,760 lb

 $7,760 \text{ lb} \div 2,500 \text{ lb} = \mathbf{3.10 \text{ blocks}}$

 A minimum of **4 RotoBlock™** is required to ensure project stability.