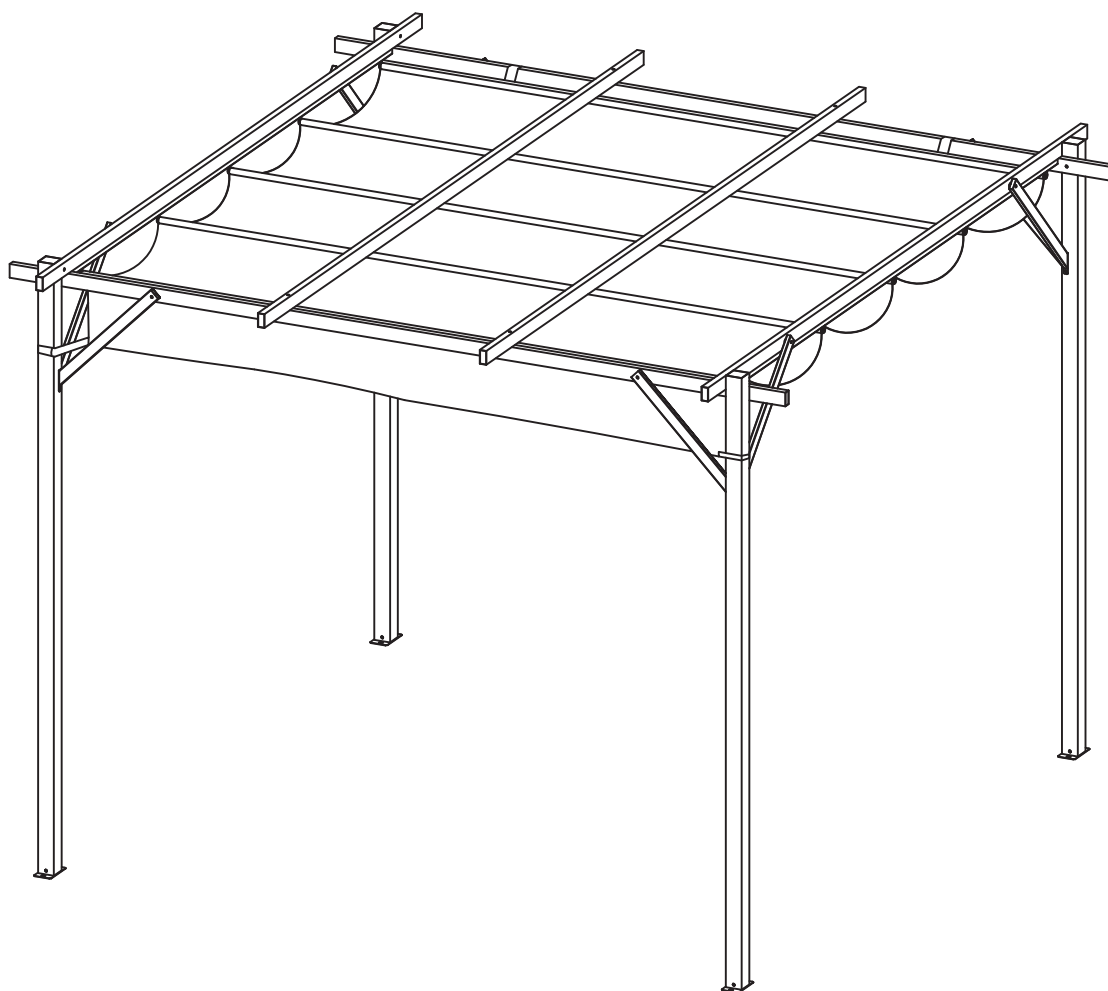


San Luis pergola 10' x 10' B101055 (2020)

Assembly Instructions



F. Corriveau
INTERNATIONAL

IMPORTANT:

Please read and follow all safety statements, warnings, assembly instructions, use & care directions before attempting to assemble. Each of the recommendations must be followed to ensure the utmost solidity.

Security Rules

Warning:

Keep flame and heat sources away from the gazebo fabric. The fabric may burn if it is exposed to prolonged contact with a source of heat. The application of any foreign substance to the gazebo fabric may render the flame-resistant properties ineffective.

Regulation

It is the responsibility of the consumer being in accordance with city regulation, construction code, zoning or any limitations and obtaining permit prior assembling gazebo.

Recommendation

- When assembling and using this product, basic safety precautions should always be followed to reduce the risk of personal injury and damage to parts.
- Do not use the gazebo during extreme weather conditions.
- Before beginning assembly of product, make sure all parts are present. Compare parts with package contents list. If any part is missing or damaged, do not attempt to assemble the product.
- Some parts may contain sharp edges. Use of protective gloves is always recommended.
- When installing and assembling your gazebo, it is recommended that 2 or more adults are involved.
- Considering at least three hours to complete installation, even well anchored, a gazebo unit that is not finished assembly can get or create damages to nearby environment.
- Verify that all nuts and bolts are tightly secured before and during use.
- Use proper tools and equipment for a safe and compliant installation. Never climb, sit or stand on structure while assembling.

- Even if this gazebo is built for all year round, the snow must be removed from the roof at all time.
- Mosquito net and curtains (optional) must be removed from the unit in freezing period.
- Anchoring bolts or other anchoring devices are not supplied.
- Keep away from any electric installation or transportation device.
- Always recommended to keep assembly manual for further reference.

Care

Avoid using a pressure washer. The use of a mild soap with warm water is the best solution for the frame only. A clear water rinse is necessary then. Never use soap on fabric, this will reduce their durability, consequently their lifespan and general look. The use of a soft brush and warm water are an excellent solution for cleaning the fabric.

Warranty

Covered

We warrant the frame and fabric to be free of manufacturing defects to the original purchaser for one year.

Not covered

This warranty does not cover commercial use, improper care, neglected storage, vandalism, chemical, acts of nature, fire, oxidation, stains, freeze damage, improper packaging for return and unreasonable or abusive use. Normal discoloration and build-up snow are not covered either.

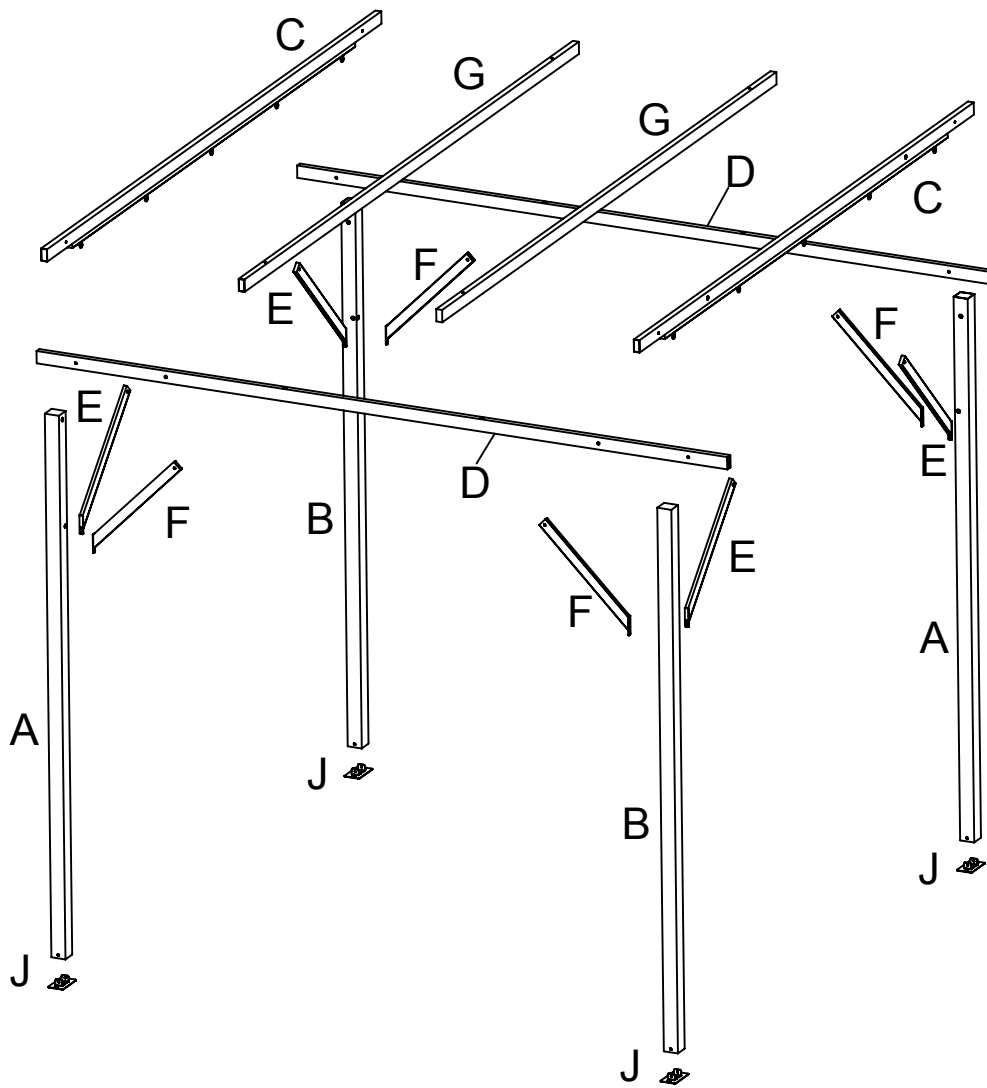
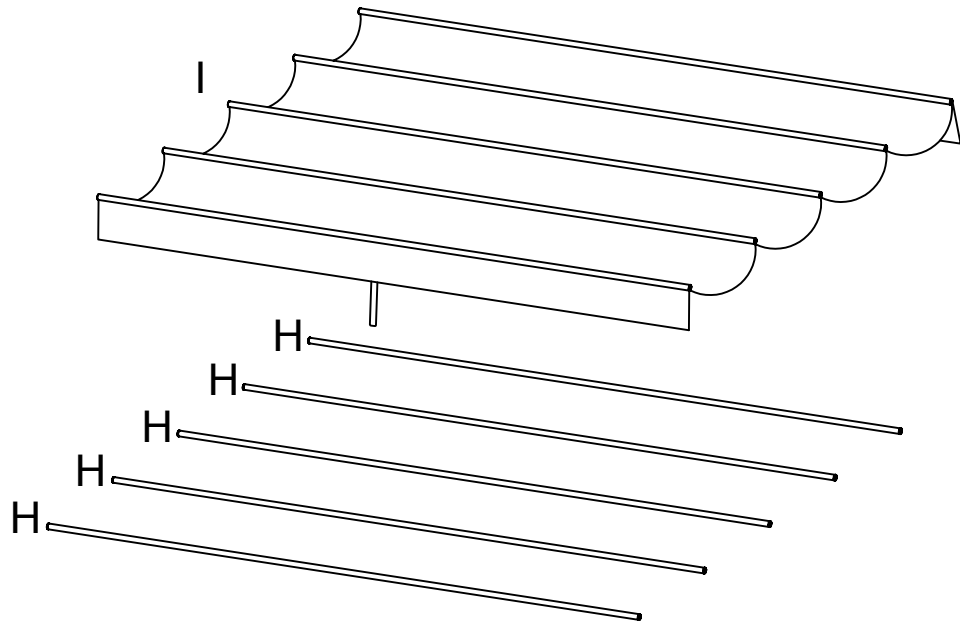
Customer service:

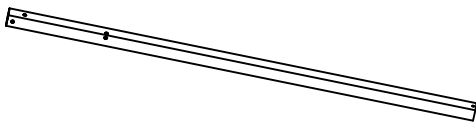
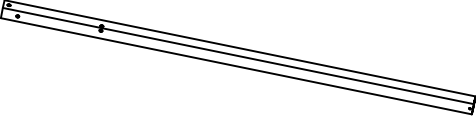
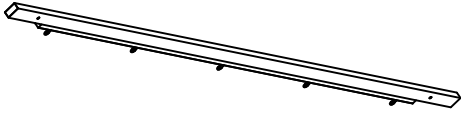

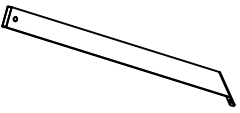
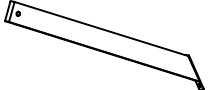


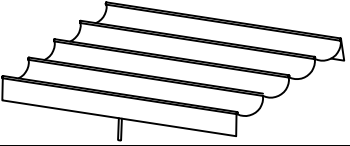

Consumer

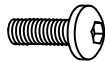

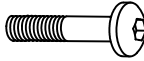
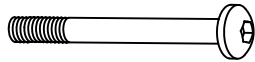

For each part request, please contact your retailer with a description of the problem, pictures and consumer invoice copy, to ensure the proper information to be proceed.

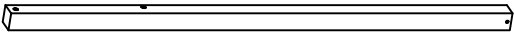
Seller

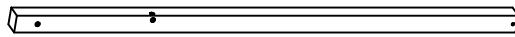
In addition to all the information already provided by the consumer, any parts requested must mention the person responsible for the client's file, the retailer name, address, branch if applicable, e-mail address, fax and phone number.




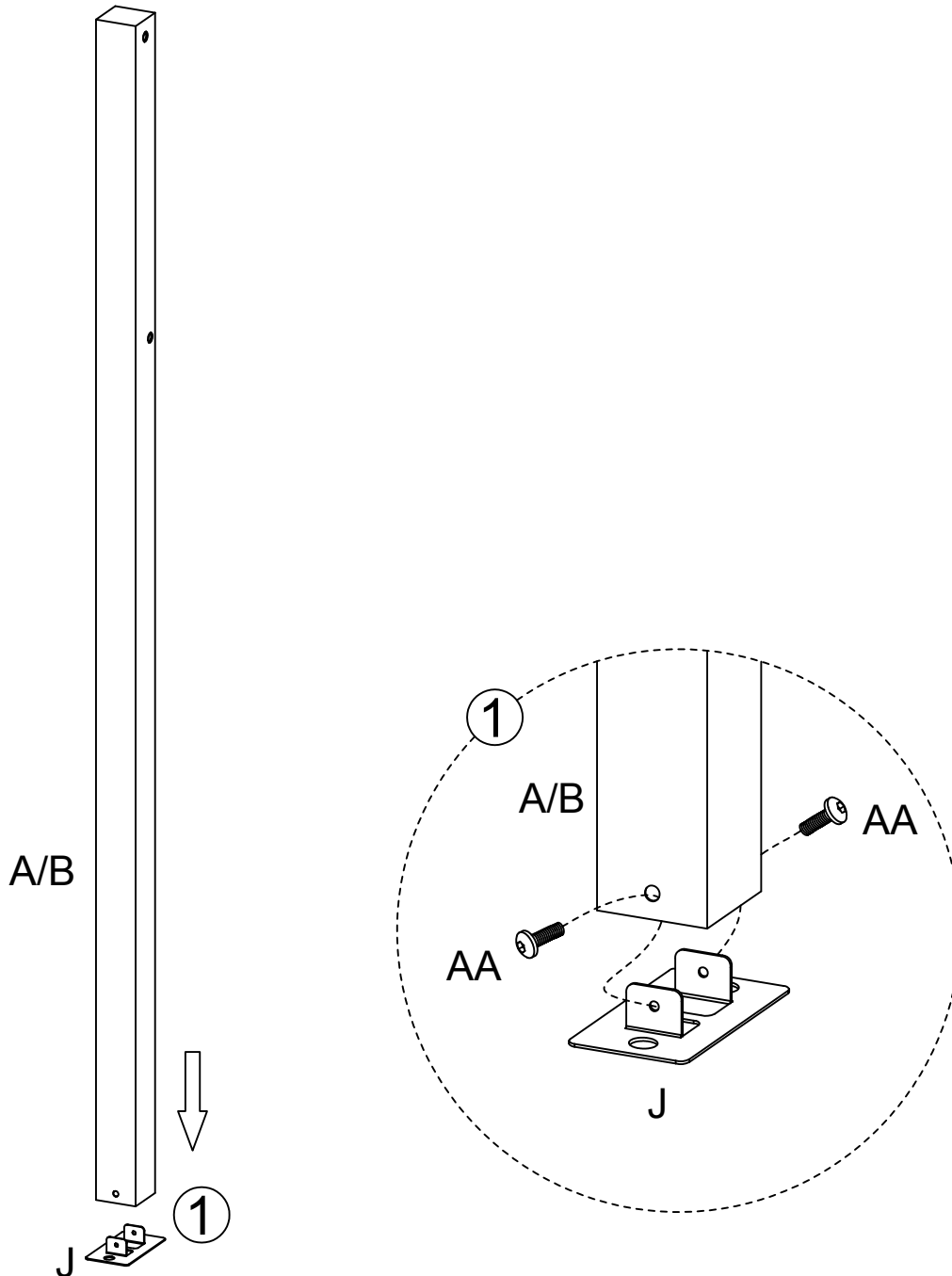
No.	Description	Drawing	QTY
A	Post		2
B	Post		2
C	Crossbar		2
D	Crossbar		2
E	Long brace		4
F	Short brace		4
G	Middle crossbar		2
H	Canopy slidebar		5
I	Roof cover		1
J	Base flange		4

No.	Description	Drawing	QTY
AA	Bolt M6 x 15mm		16
BB	Bolt M6 x 40mm		16
CC	Bolt M6 x 35mm		10
DD	Bolt M6 x 70mm		4
EE	Allen key		1

A  x2

B  x2


J  x4

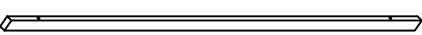


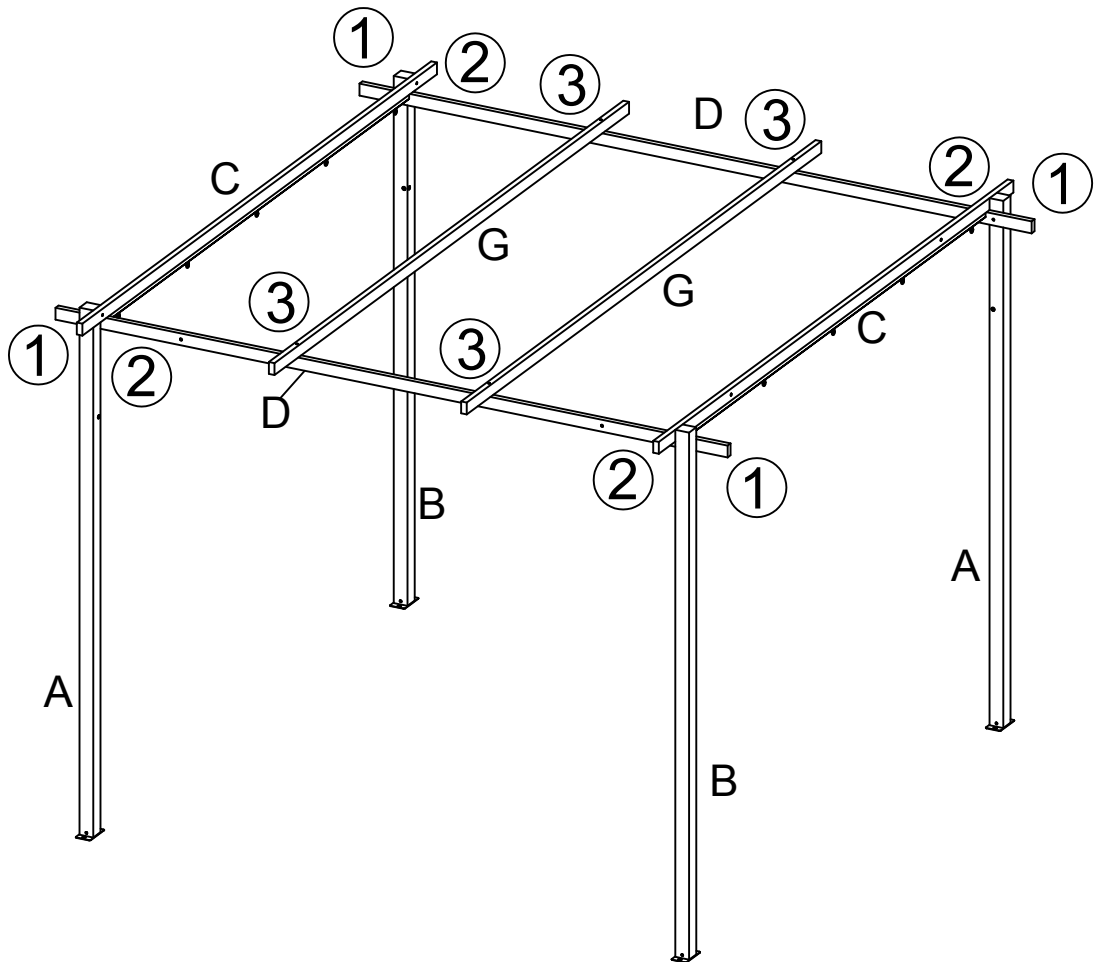
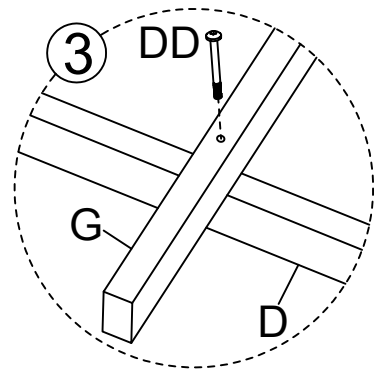
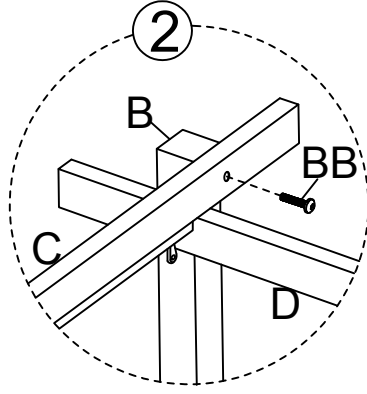
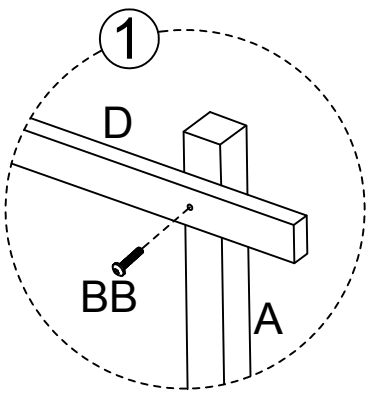
Step 1:

Secure base flanges (J) on the bottom of posts (A & B) by using bolts (AA) as fig. 1 shown. Bolts can be tight completely.

C  x2

D  x2

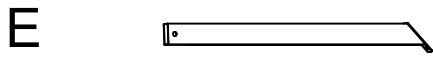
G  x2



Step 2:

1. Secure crossbars (D) on two posts (A & B) using bolts (BB) as shown in fig. 1.
2. Secure crossbars (C) on two posts (A & B) using bolts (BB) as shown in fig. 2.
3. Secure middle crossbars (G) on crossbars (D) using bolts (DD) as shown in fig. 3.

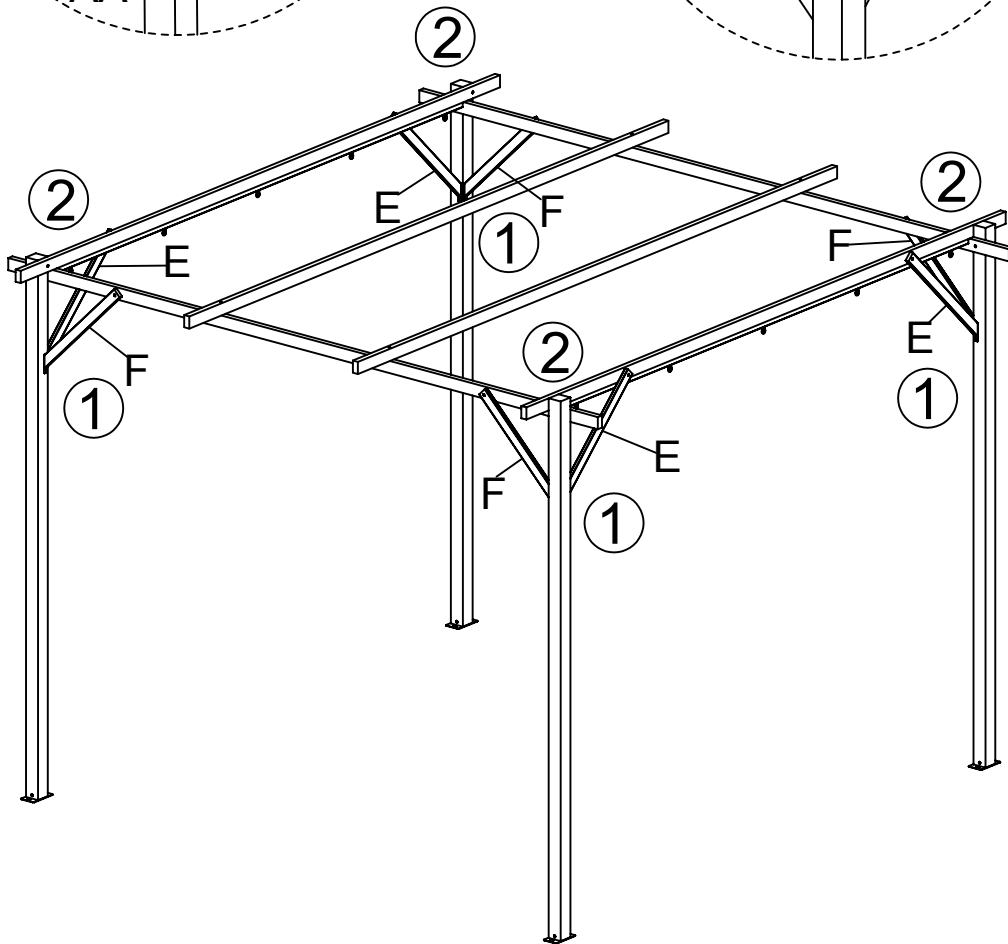
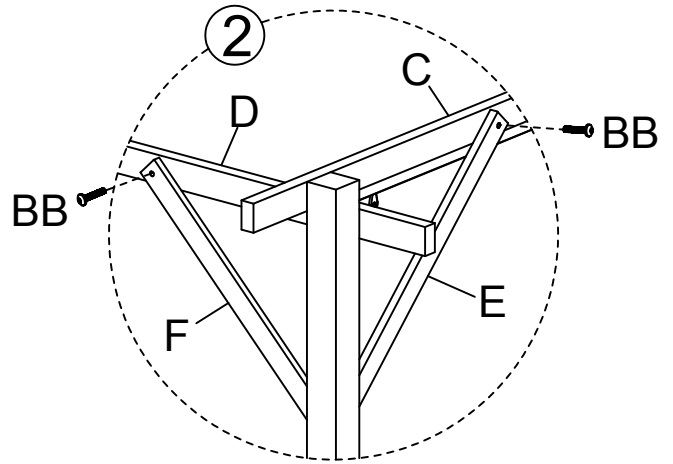
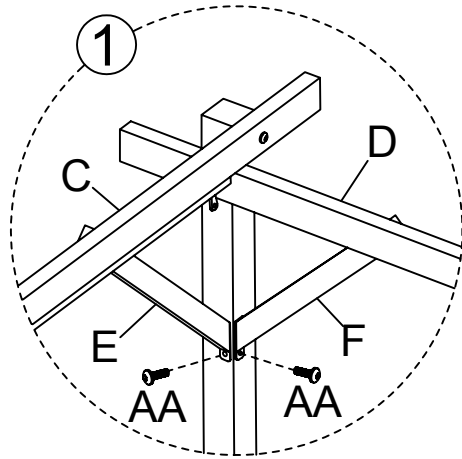
Note: Please check above fig. carefully and make sure all the parts are in right position. For your security, you may need 4 people for this step.



x4

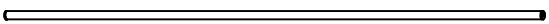


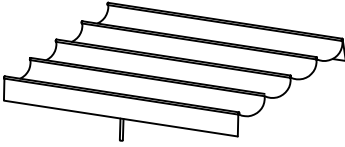
x4

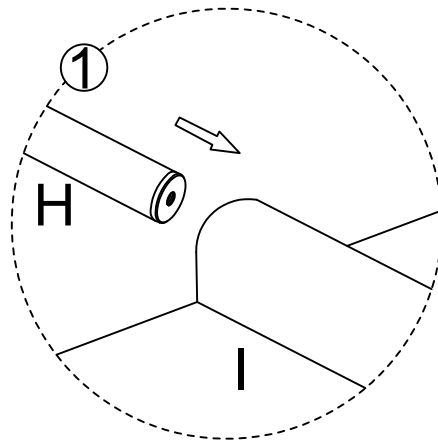
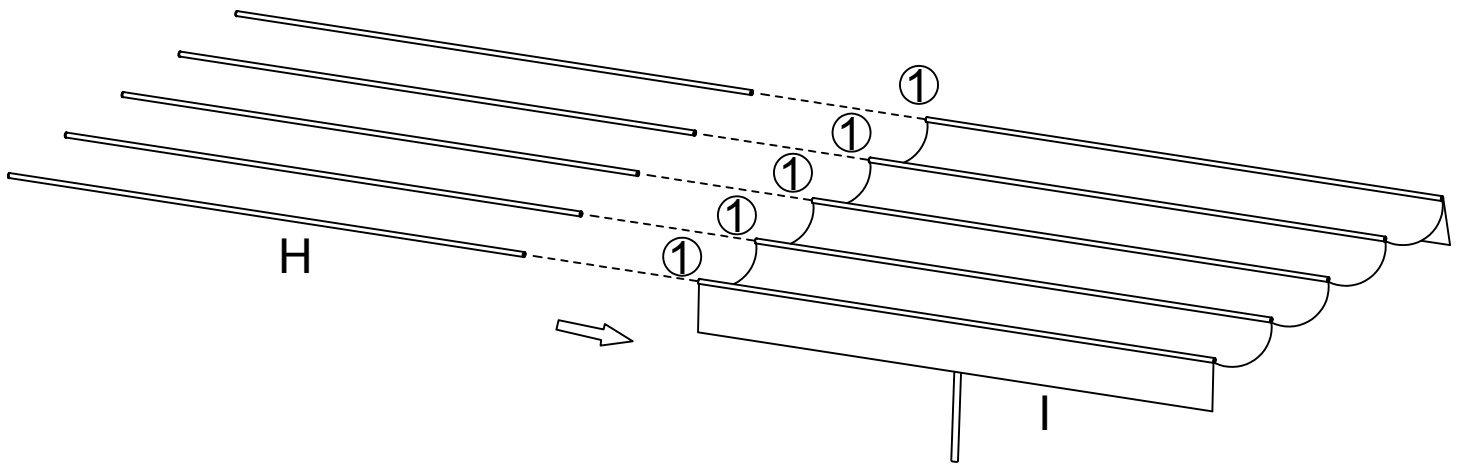


Step 3:

Secure short and long braces (F & E) to posts (A & B) by using bolts (AA) as fig 1 shown. Do not tight bolts yet. Then secure other end of braces (E & F) to crossbars assembly (CD) by using bolts (BB) as fig. 2 shown.

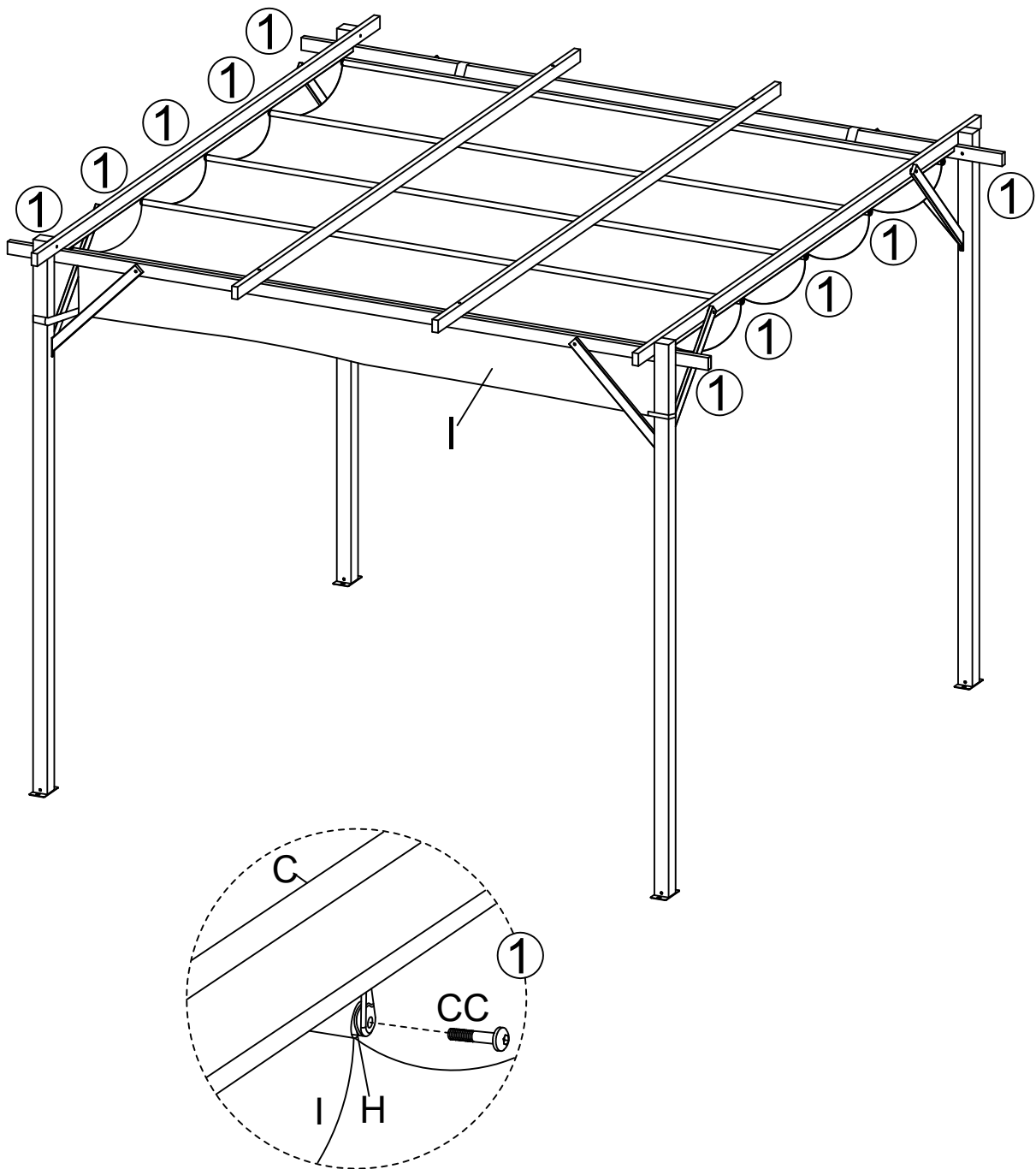
H  x5

I  x1



Step 4:

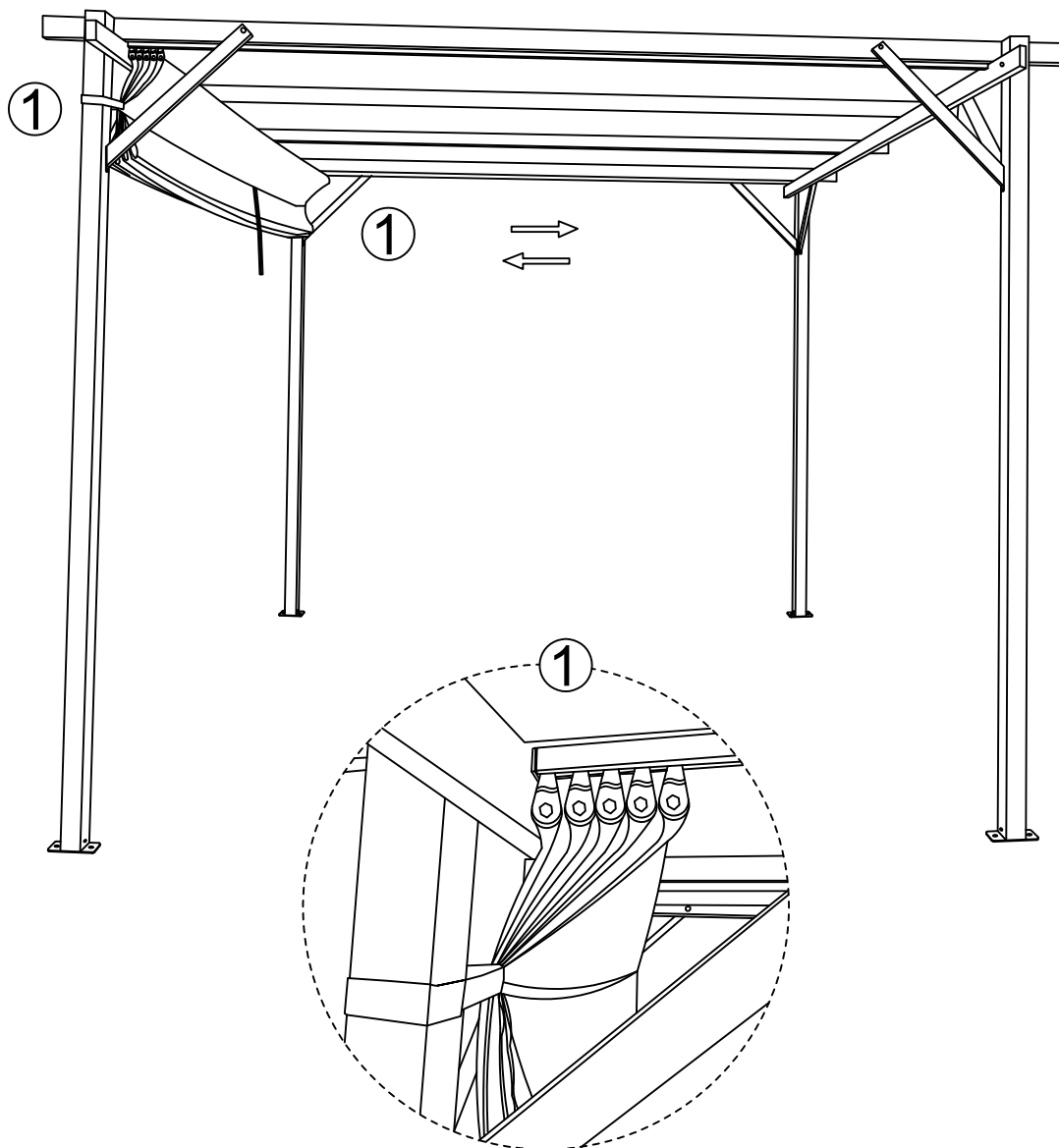
Insert canopy slide bars (H) through roof cover sleeves (I) as fig. 1 shown.



Step 5 :

1.Insert bolts (CC) through the sliding hook of crossbars (C), and secure with canopy slide bars (H) as shown. Tight bolts.

2.Fix pergola through base flanges (J) into the ground. Take note anchoring devices may vary with ground status. Anchoring devices are not supplied.



Step 6:

1. The handgrip of roof cover (1) can help you open and close the roof cover.
2. The Velcro of roof cover can be tied to the crossbars and posts, increasing shade area.
3. At windy conditions, roof cover must be closed and Velcro tied to crossbars.