

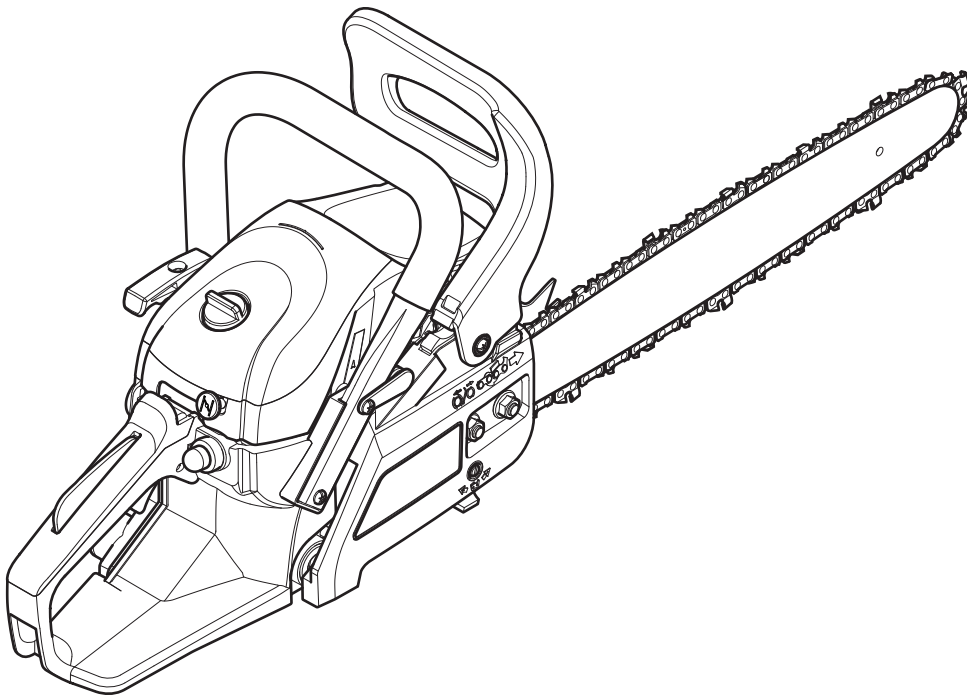


# Operator's Manual

ORIGINAL INSTRUCTIONS

## TB4214 / TB4216 / TB4218

2-Cycle Chain Saw



### SAVE THESE INSTRUCTIONS

**IMPORTANT:** Read this manual thoroughly before using this product. Follow all instructions.

## TABLE OF CONTENTS

Service .....	2
Safety .....	2
Know Your Unit .....	7
Essential Terms and Definitions .....	8
Specifications .....	9
Assembly .....	10
Oil and Fuel .....	11
Starting and Stopping .....	12
Operation .....	13
Maintenance .....	19
Cleaning and Storage .....	27
Troubleshooting .....	28
Warranty .....	29

All information, illustrations, and specifications in this manual are based on the latest product information available at the time of printing. We reserve the right to make changes at any time without notice.

The product may vary slightly from the illustrations contained in this manual.

Copyright© 2024 MTD SOUTHWEST INC, All Rights Reserved.

**NOTE:** This operator's manual covers multiple models. Features may vary by model. Not all features in this manual are applicable to all models. The model depicted may differ from yours.

## SERVICE

### DO NOT RETURN THIS UNIT TO THE RETAILER. PROOF OF PURCHASE WILL BE REQUIRED FOR WARRANTY SERVICE.

For assistance regarding the assembly, operation or maintenance of the unit, please call **1-800-828-5500** (in the United States) or **1-800-668-1238** (in Canada). Additional information can be found at **www.troybilt.com** (in the United States) or **www.troybilt.ca** (in Canada).

Warranty service is available through an authorized service center. To locate a service center in your area, please visit our website or call the number listed above. Service on this unit, both within and after the warranty period, should only be performed by an authorized and approved service center. When servicing, use only identical replacement parts.

Register your product at **www.troybilt.com** (US) or **www.troybilt.ca** (Canada) to have parts, owner manuals, and warranty information at your fingertips.

## SAFETY

The purpose of safety symbols is to attract your attention to possible dangers. The safety symbols, and their explanations, deserve your careful attention and understanding. The safety warnings do not by themselves eliminate any danger. The instructions or warnings they give are not substitutes for proper accident prevention measures.

### SYMBOL MEANING



**DANGER:** Signals an EXTREME hazard. Failure to obey a safety **DANGER** symbol **WILL** result in serious injury or death to yourself or to others.



**WARNING:** Signals a SERIOUS hazard. Failure to obey a safety **WARNING** symbol **CAN** result in serious injury to yourself or to others.



**CAUTION:** Signals a MODERATE hazard. Failure to obey a safety **CAUTION** symbol **MAY** result in property damage or injury to yourself or to others.

**NOTE:** Advises you of information or instructions vital to the operation or maintenance of the equipment.

### SPARK ARRESTOR NOTE

**NOTE: For users on U.S. Forest Land and in the states of California, Maine, Oregon and Washington.** All U.S. Forest Land and the state of California (Public Resources Codes 4442 and 4443), Oregon and Washington require, by law that certain internal combustion engines operated on forest brush and/or grass-covered areas be equipped with a spark arrestor, maintained in effective working order, or the engine be constructed, equipped and maintained for the prevention of fire. Check with your state or local authorities for regulations pertaining to these requirements. Failure to follow these requirements could subject you to liability or a fine. **This unit is factory equipped with a spark arrestor.** If it requires replacement, contact your local service dealer to install the appropriate muffler assembly.

**Read the operator's manual and follow all warnings and safety instructions. Failure to do so can result in serious injury to the operator and/or bystanders.**

# • IMPORTANT SAFETY INSTRUCTIONS •

## READ ALL INSTRUCTIONS BEFORE OPERATING



**WARNING:** When using the unit, all safety instructions must be followed. Please read these instructions before operating the unit in order to ensure the safety of the operator and any bystanders. Please keep these instructions for later use.

- Read the instructions carefully. Be familiar with the controls and proper use of the unit. Know how to stop the unit and disengage the controls quickly.
- Stay alert. Do not operate this unit when tired, ill or under the influence of alcohol, drugs or medication.
- Never allow children to operate the unit. Never allow adults to operate the unit without proper instruction.
- All guards and safety attachments must be installed properly before operating the unit.
- Inspect the unit before use. Check for damaged parts. Check for fuel leaks. Make sure all parts operate properly. Make sure all fasteners are in place and secure. Make sure all moving parts are properly aligned and are not bound. Replace parts that are cracked, chipped, or damaged in any way. Have all damaged or improperly working parts repaired or replaced by an authorized service center. Do not operate the unit with loose or damaged parts.
- Be aware of risk of injury to the head, hands and feet.
- Carefully inspect the area before starting the unit. Remove rocks, broken glass, nails, wire, string and other objects that may be thrown or become entangled with the unit.
- Clear the area of children, bystanders and pets; keep them outside a 50-foot (15 m) radius, at a minimum. Even then, they are still at risk from thrown objects. Encourage bystanders to wear eye protection. If you are approached, stop the unit immediately.
- Squeeze the throttle control and check that it returns automatically to the idle position. Make all adjustments or repairs before using the unit.
- This unit is intended for occasional, household use only.

## SAFETY WARNINGS FOR GAS UNITS



**WARNING:** Use caution when handling fuel. Gasoline is highly flammable and its vapors can explode if ignited. Take the following precautions:

- Store fuel only in containers specifically designed and approved for the storage of such materials.
- Always stop the engine and allow it to cool before filling the tank. Never remove the fuel tank cap or add fuel when the engine is hot. Always loosen the fuel tank cap slowly to relieve any pressure in the tank before fueling.
- Always mix and add fuel in a clean, well-ventilated outdoor area where there are no sparks or flames. DO NOT smoke.
- Never operate the unit without the fuel cap securely in place.
- Avoid creating a source of ignition for spilled fuel. Wipe up any spilled fuel from the unit immediately, before starting the unit. Move the unit at least 30 ft. (9.1 m) from the fueling source and site before starting the engine. DO NOT smoke.
- Never start or run the unit inside a closed room or building. Breathing exhaust fumes can kill. Operate this unit only in a well-ventilated outdoor area.

## WHILE OPERATING

- Wear safety glasses or goggles that meet current ANSI / ISEA Z87.1 standards and are marked as such. Wear ear/hearing protection when operating this unit. Wear a face mask or dust mask if the operation is dusty. Use a hard hat or other type of safety helmet.
- Wear safety boots and protective gloves. Wear heavy, snug-fitting clothes, including long pants and a long-sleeve shirt. Do not wear loose clothing, jewelry, short pants, sandals or go barefoot. Secure hair above shoulder level.
- Make sure the saw chain is not in contact with anything before starting the unit.
- Use the unit only in daylight or good artificial light.
- Avoid accidental starting. Be in the starting position whenever pulling the starter rope. The operator and unit must be in a stable position while starting. Refer to *Starting and Stopping*.
- Use the right tool. Only use this tool for its intended purpose: to cut wood. Do not use the unit for cutting plastic, masonry or other non-wood building materials. Only use the unit as described in this manual.
- Keep hair, face, hands, feet and all other body parts away from the saw chain when the unit is running. Do not touch or try to stop moving parts.
- Do not touch the engine or muffler. These parts get extremely hot from operation, even after the unit is turned off.
- Do not operate the unit faster than the speed needed to do the job. Do not run the unit at high speed when not in use.
- Do not force the unit, especially near the end of a cut. It will do a better, safer job when used at the intended rate.
- Always turn the unit off when operation is delayed or when carrying the unit from one location to another. Make sure all moving parts come to a complete stop.
- Before setting the unit down, always make sure the engine is off and all moving parts have stopped.
- Turn the engine off and disconnect the spark plug for maintenance or repair.
- Carry the unit by the front handle with the muffler positioned away from the body and the guide bar positioned to the rear. Cover the guide bar and saw chain with the scabbard when carrying the unit.
- If the unit strikes or becomes entangled with a foreign object, stop the unit immediately. Check for damage. If damaged, do not restart or operate the unit until it is repaired. Do not operate the unit with loose or damaged parts.
- Use only original equipment manufacturer (OEM) replacement parts and accessories for this unit. These are available from your authorized service dealer. Use of any other parts or accessories could lead to serious injury to the user, or damage to the unit, and void the warranty.
- Keep the unit clean. Carefully remove vegetation and other debris that could block moving parts.
- To reduce fire hazard, replace a faulty muffler and spark arrestor. Keep the engine and muffler free from grass, leaves, excessive grease or carbon build up.
- If the unit starts to vibrate abnormally, stop the unit immediately. Inspect the unit for the cause of the vibration. Vibration is generally an indicator of trouble.
- Keep the work area clean. Cluttered areas invite injuries. Do not start cutting until the work area is clear and free from obstructions. Make sure there is secure footing and a planned retreat path from falling trees or branches.
- Do not cut near electrical cables or power lines. Keep at least 50 feet (15 m) away from all power lines.

- For safer, more effective performance, make sure the guide bar and chain are properly cleaned, lubricated, tightened and sharpened. Check the guide bar and chain at frequent intervals for proper adjustment.
- When cutting a limb that is under tension, use extreme caution. When the tension is released, the limb could spring back and strike the operator, causing severe injury or death.
- Use extreme caution when cutting small-sized brush and saplings, as slender material may catch the saw chain and be whipped toward the operator or pull the operator off balance.
- This saw is classified by UL as a Class 1C saw in accordance with CSA Z62.1-03. It is intended for infrequent use by homeowners, cottagers and campers, and for general applications such as clearing, pruning, cutting firewood, etc. It is not intended for prolonged use. If the intended use involves prolonged periods of operation, this may cause circulatory problems in the user's hands due to vibration.
- Never remove, modify or make inoperative any safety device furnished with the unit.
- Do not use the unit in the presence of flammable liquids or gases.
- Do not attempt operations beyond the operator's capacity or experience.
- Do not operate a unit that is damaged, improperly adjusted or not completely and securely assembled. Make sure moving parts stop when the unit is turned off. Do not use the unit if it does not turn on and off properly. Have defective parts replaced by an authorized service dealer.

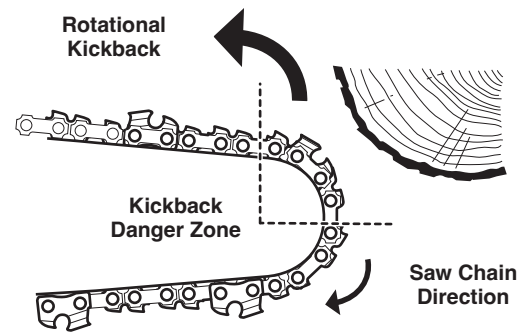


Fig. A

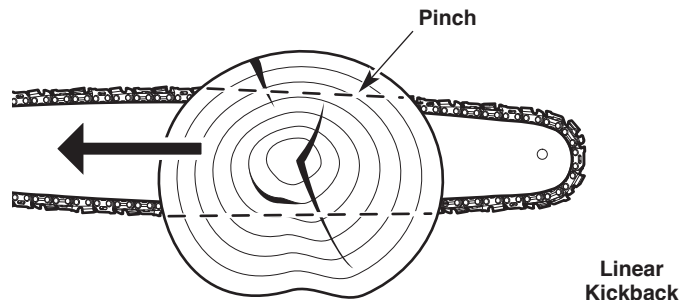


Fig. B

## KICKBACK SAFETY

	<p><b>WARNING:</b> Kickback may occur when the nose or tip of the guide bar touches an object, or when the wood closes in and pinches the saw chain in the cut. In some cases, tip contact may cause a lightning-fast reverse action, kicking the guide bar rapidly back towards the operator. Pinching the saw chain along the top of the guide bar may push the guide bar rapidly back towards the operator. Either of these reactions may cause a loss of control over the saw, which could result in serious injury to the user. Contact with foreign objects within the wood can also induce a loss of chain saw control.</p>
--	------------------------------------------------------------------------------------------------------------------------------------------------------------------------------------------------------------------------------------------------------------------------------------------------------------------------------------------------------------------------------------------------------------------------------------------------------------------------------------------------------------------------------------------------------------------------------------------------------------------------------------

### Understanding Kickback

A basic understanding of kickback can help reduce or eliminate the element of surprise and the chance of kickback-related injury. Sudden surprise contributes to accidents.

- **Rotational Kickback** can happen when the upper tip of the guide bar contacts an object while the chain is moving (Fig. A). This can cause the chain to dig into the object and momentarily stop moving. The guide bar is then kicked up and back toward the operator in a lightning-fast reverse reaction.
- **Linear Kickback** can happen when the wood on either side of a cut closes in and pinches the moving saw chain along the top of the guide bar (Fig. B). This can cause the chain to instantly stop. The chain force is then reversed, causing the saw to move in the opposite direction, sending the saw straight back toward the operator.
- **Pull-In** can happen when the moving chain on the bottom of the guide bar hits a foreign object inside the wood. This can cause the chain to suddenly stop. The saw is then pulled forward and away from the operator, which could potentially result in the loss of control of the saw.

### Kickback Safety Precautions

Take the following steps to reduce the chance of accident or injury:

- Do not rely exclusively upon the safety devices built into the unit.
- Do not cut above shoulder height.
- Do not overreach. Always keep proper footing and balance. Take extra care when working on steep slopes or inclines. Do not operate the unit in a tree or on a ladder unless specifically trained to do so.
- Do not make cuts with the tip of the guide bar.
- Make sure the area of operation is free from obstructions. Do not let the tip of the guide bar contact any object, such as a log, branch, the ground or other obstruction.
- Always inspect the wood before cutting. Foreign objects could damage the unit or cause serious personal injury. Never cut through nails, metal rods, railroad ties or pallets.
- Do not operate the unit with one hand! Serious injury to the operator, helpers or bystanders may result from one-handed operation. This unit is intended for two-handed use. Always grip the unit firmly with both hands when the unit is running. Hold the front handle with the left hand and the rear handle with the right hand. Firmly encircle the handles with the thumbs and fingers. Do not let go. A firm grip will help maintain control of the unit and reduce the chance of kickback.
- Stand slightly to the left of the unit to avoid being in the direct line of the saw chain.
- Never start the saw when the guide bar is inside an existing cut. Be extremely careful when re-entering a cut.
- Always begin a cut with the unit running at full speed. Fully squeeze the throttle control and maintain a steady cutting speed. Slower speeds increase the chance of kickback.
- Keep the saw housing pressed firmly against the wood.
- Do not cut more than one log or branch at a time.

- Do not twist the unit when removing the guide bar from a cut.
- Watch out for shifting objects (logs, branches, etc.) that might pinch or fall onto the saw chain during operation.
- Only use wedges made of wood or plastic. Do not use metal to hold a cut open.
- Follow the manufacturer's sharpening and maintenance instructions for the saw chain.
- Only use replacement bars and chains specified by the manufacturer or the equivalent. These are available from authorized service dealers. Use of any unauthorized parts or accessories could lead to serious injury to the operator or damage to the unit and will void the warranty.
- Use devices that reduce the risks associated with kickback, such as low-kickback chains, guide bar nose guards, chain brakes and low-kickback guide bars. There are no other replacement components for achieving kickback protection in accordance with CSA Z62.3.
- A low-kickback saw chain is a chain that has met the kickback performance requirements of ANSI/OPEI B175.1-2012 when tested according to the provisions specified in ANSI/OPEI B175.1-2012. A low-kickback saw chain is a chain that is also in accordance with CSA Z62.3. Do not use a replacement saw chain unless it has met these requirements for this specific model or has been designated as a low-kickback replacement saw chain in accordance with ANSI/OPEI B175.1-2012. As saw chains are sharpened, some of the low-kickback qualities are lost and extra caution should be used.
- Do not install a bow guide on this unit. Bow guides have larger kickback zones, which increase the chance of kickback and serious injury. This increase is not significantly reduced by using a low-kickback saw chain. Using a bow guide on this unit is extremely dangerous.






## OTHER SAFETY WARNINGS









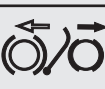


- Maintain the unit with care. Follow all maintenance instructions in this manual.
- Do not perform maintenance procedures other than those described in this manual. All service, other than the maintenance procedures described in this manual, should be performed by an authorized service dealer.
- Do not use the unit if it is not working correctly, has been dropped, damaged, left outdoors or dropped into water. Have the unit serviced by an authorized service dealer.
- Never remove, modify or make inoperative any safety device furnished with the unit.
- Before inspecting, maintaining, cleaning, storing, transporting or replacing any parts on the unit:
  1. Stop the unit. Refer to *Starting and Stopping*.
  2. Make sure all moving parts have stopped.
  3. Allow the unit to cool.
  4. Disconnect the spark plug wire.
- Secure the unit while transporting.
- Always use the scabbard on the guide bar and saw chain during transportation and storage.
- Always store the unit and fuel in a cool, dry and well-ventilated space. Do not store fuel, or a unit with fuel in the tank, indoors where fumes may reach open flames (pilot lights, etc.) or sparks (switches, electrical motors, etc.).
- Store the unit in a dry place, secured or at a height to prevent unauthorized use or damage. Keep the unit out of the reach of children.
- Never douse or squirt the unit with water or any other liquid. Keep handles dry, clean and free from debris, oil, fuel and grease. Clean the unit after each use. Refer to *Cleaning and Storage*. Do not use solvents or strong detergents.
- Keep these instructions. Refer to them often and use them to instruct other users. If you loan this unit to others, also loan them these instructions.

## SAVE THESE INSTRUCTIONS

• SAFETY & INTERNATIONAL SYMBOLS •

This operator's manual describes safety and international symbols and pictographs that may appear on this product. Read the operator's manual for complete safety, assembly, operating and maintenance and repair information.

SYMBOL	MEANING
	<ul style="list-style-type: none"> <li>• <b>SAFETY ALERT SYMBOL</b> Indicates danger, warning or caution. May be used in conjunction with other symbols or pictographs.</li> </ul>
	<ul style="list-style-type: none"> <li>• <b>READ OPERATOR'S MANUAL</b> <b>WARNING:</b> Read the operator's manual(s) and follow all warnings and safety instructions. Failure to do so can result in serious injury to the operator and/or bystanders.</li> </ul>
	<ul style="list-style-type: none"> <li>• <b>WEAR HEAD, EYE AND HEARING PROTECTION</b> <b>WARNING:</b> Thrown objects and loud noise can cause severe eye injury and hearing loss. Wear eye protection meeting current ANSI Z87.1 standards and ear protection when operating this unit. Wear head protection when operating this unit; falling objects can cause severe head injury. Use a full face shield when needed.</li> </ul>
	<ul style="list-style-type: none"> <li>• <b>UNLEADED FUEL</b> Always use clean, fresh unleaded fuel.</li> <li>• <b>OIL</b> Refer to operator's manual for the proper type of oil.</li> </ul>
	<ul style="list-style-type: none"> <li>• <b>DO NOT USE E85 FUEL IN THIS UNIT</b> <b>WARNING:</b> It has been proven that fuel containing greater than 10% ethanol will likely damage this engine and void the warranty.</li> </ul>

SYMBOL	MEANING
	<ul style="list-style-type: none"> <li>• <b>ON/OFF STOP CONTROL</b> ON / START / RUN</li> </ul>
	<ul style="list-style-type: none"> <li>• <b>ON/OFF STOP CONTROL</b> OFF or STOP</li> </ul>
	<ul style="list-style-type: none"> <li>• <b>PRIMER BULB</b> Push primer bulb, fully and slowly, 10 times.</li> </ul>
	<ul style="list-style-type: none"> <li>• <b>CHOKE CONTROL</b> <ul style="list-style-type: none"> <li>• Pulled Out - FULL choke position</li> <li>• Pushed In - RUN position</li> </ul> </li> </ul>
 Min. 50 ft (15m)	<ul style="list-style-type: none"> <li>• <b>KEEP BYSTANDERS AWAY</b> <b>WARNING:</b> Keep all bystanders, especially children and pets, at least 50 feet (15 m) from the operating area.</li> </ul>
	<ul style="list-style-type: none"> <li>• <b>USE BOTH HANDS</b> <b>WARNING:</b> Always use both hands while operating the unit. Never use only one hand to operate the unit.</li> </ul>
	<ul style="list-style-type: none"> <li>• <b>KICKBACK</b> <b>WARNING:</b> Contact of the guide bar tip with any object should be avoided. Tip contact may cause the guide bar to move suddenly upward and backward, which may cause serious injury.</li> </ul>
	<ul style="list-style-type: none"> <li>• <b>CHAIN OIL ADJUSTMENT INDICATOR</b> The chain must be continuously coated with oil to function properly. Make sure to set the oil adjustment screw to allow a sufficient amount of oil to flow continuously onto the chain.</li> </ul>
	<ul style="list-style-type: none"> <li>• <b>CHAIN BRAKE</b> The chain brake immediately stops the moving saw chain in emergency situations. To manually engage the chain brake, push the chain brake lever forward completely. To disengage the chain brake, pull the chain brake lever back completely.</li> </ul>
	<ul style="list-style-type: none"> <li>• <b>CHAIN DIRECTION</b> Make sure the saw chain faces the direction shown when installed on the guide bar. Refer to <i>Installing the Guide Bar and Saw Chain</i> in the <i>Maintenance</i> section.</li> </ul>
	<ul style="list-style-type: none"> <li>• <b>CHAIN TENSIONING</b> Always keep the saw chain properly tensioned. Turn the chain-tensioning screw clockwise to tighten the saw chain. Turn the chain-tensioning screw counterclockwise to loosen the saw chain.</li> </ul>

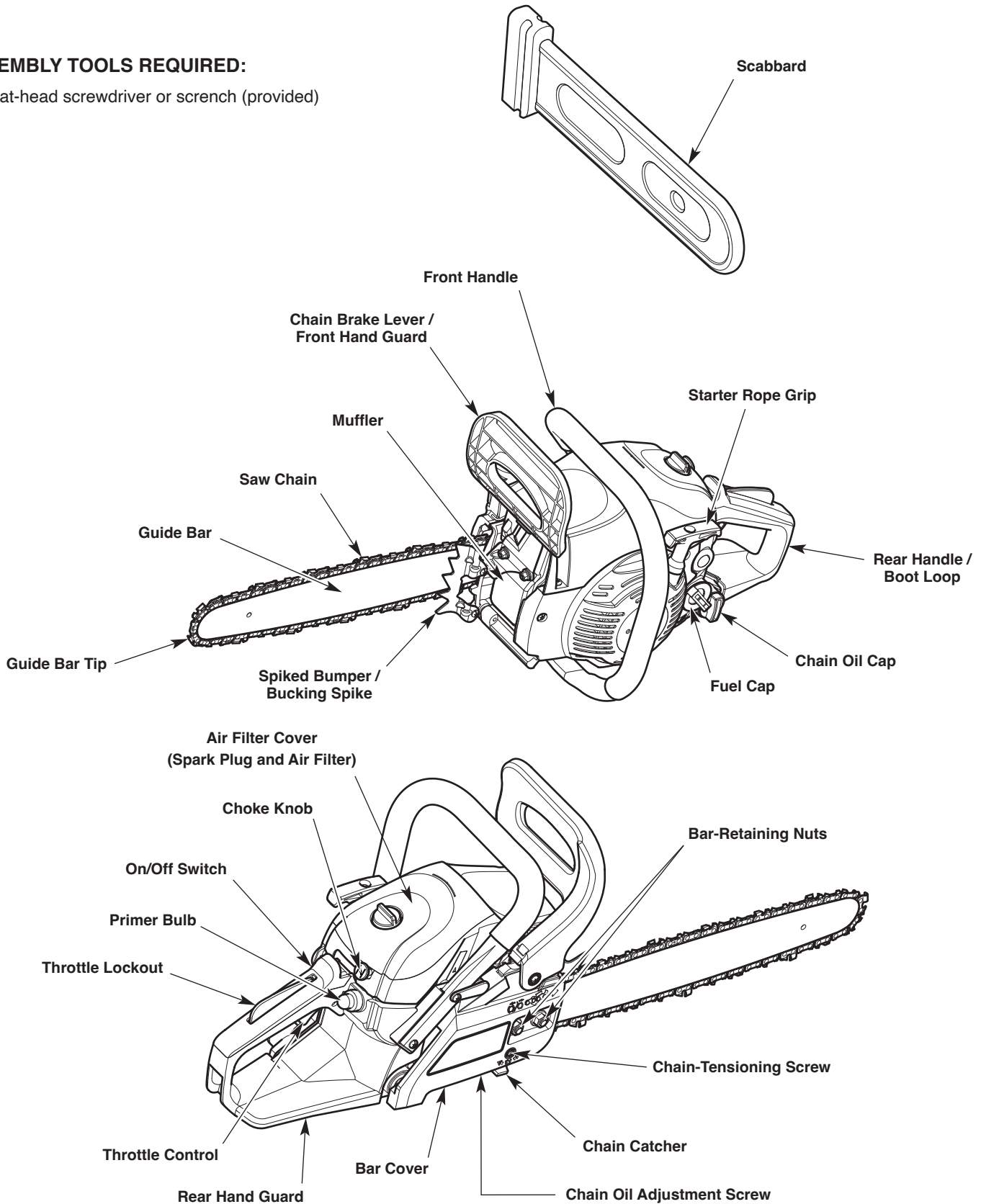
# KNOW YOUR UNIT

## APPLICATIONS

- Felling and limbing trees
- Cutting logs (bucking)
- Pruning trees

## ASSEMBLY TOOLS REQUIRED:

- Flat-head screwdriver or screw (provided)



## ESSENTIAL TERMS AND DEFINITIONS

- CHAIN SAW - A tool designed to cut wood with a saw chain. A chain saw is an integrated unit comprised of a power source, saw chain, guide bar, and handles that are designed to be held by two hands during operation.
- CHAIN SAW POWERHEAD - A chain saw without the saw chain and guide bar.
- DRIVE SPROCKET - A toothed wheel that drives the saw chain.
- FRONT HANDLE - A support handle located toward the front of the chain saw.
- REAR HANDLE - A support handle located toward the rear of the chain saw.
- CHAIN BRAKE LEVER / FRONT HAND GUARD - A structural barrier between the front handle and the guide bar. The front hand guard helps protect the operator's left hand if it slips off the front handle while the unit is running. The chain brake lever is also used to manually engage the chain brake.
- CHAIN BRAKE - A device that reduces the chance of injury if kickback occurs, by stopping the saw chain in milliseconds. The chain brake is designed to engage automatically in response to kickback. The chain brake can also be activated by pushing the chain brake lever forward, either intentionally or if the operator's hand strikes the lever during kickback.
- REAR HAND GUARD - A structural barrier below the rear handle. The rear hand guard helps protect the operator's right hand if the saw chain breaks or disengages from the guide bar during operation.
- GUIDE BAR - A solid railed structure that supports and guides the saw chain.
- GUIDE BAR TIP - The tip or end of the guide bar.
- REDUCED-KICKBACK GUIDE BAR - A guide bar that has been demonstrated to reduce kickback significantly.
- SAW CHAIN - A loop of chain with teeth designed to cut wood, which is driven by the engine and is supported by the guide bar. The saw chain is composed of drive links, cutters and side links, held together by rivets.
- LOW-KICKBACK SAW CHAIN - A saw chain that complies with the kickback performance requirements of ANSI/OPEI B175.1-2012 when tested on a representative sample of chain saws. Low-kickback saw chain significantly reduces the chance of kickback and the intensity of kickback, due to specially designed depth gauges and guard links.
- REPLACEMENT SAW CHAIN - A saw chain that complies with the kickback performance requirements of ANSI/OPEI B175.1-2012 when tested with specific chain saws. It may not meet the ANSI/OPEI performance standards when used with other chain saws.
- SPIKED BUMPER - The pointed tooth (or teeth), at the front of the chain saw, used during felling and bucking to help pivot the saw and maintain a stable position while cutting.
- CHAIN CATCHER - A device designed to intercept a whipping chain. The chain catcher reduces the chance of injury if the saw chain breaks or disengages from the guide bar during operation.
- OILER CONTROL - A system for oiling the saw chain and guide bar.
- ON/OFF SWITCH - A device that immediately stops the engine when moved to the OFF position. The saw chain will then coast to a stop. The On/Off switch must be moved to the On position to start the engine.
- THROTTLE CONTROL - A device used in conjunction with the throttle lockout to accelerate the engine. Releasing the throttle control returns the engine to idle.
- THROTTLE LOCKOUT - A device that prevents accidental acceleration of the engine. The throttle control cannot be squeezed unless the throttle lockout is engaged.
- SPARK ARRESTER SCREEN - A device that retains carbon and other flammable particles over 0.023 inches (0.6mm) in size from the engine exhaust flow. Compliance with local, state and federal laws and/or regulations governing the use of a spark arrester screen is the user's responsibility. Refer to *Spark Arrester Note* in the *Safety* section for additional information.
- KICKBACK - A sudden backward and/or upward motion of the guide bar and saw chain. Kickback can occur if the upper portion of the guide bar tip touches an object while the saw chain is spinning (rotational kickback). Kickback can also occur if the wood closes in and pinches the saw chain inside the cut (linear kickback).
- ROTATIONAL KICKBACK - A sudden backward and upward motion of the guide bar and saw chain. Rotational kickback can occur if the upper portion of the guide bar tip touches an object while the saw chain is spinning. The guide bar and saw chain are then kicked up and back toward the operator in a lightning-fast reverse reaction.
- LINEAR KICKBACK (PINCH KICKBACK) - A sudden backward motion of the guide bar and saw chain. Linear (pinch) kickback can occur if the wood closes in and pinches the saw chain inside a cut. The saw is then sent straight back toward the operator.
- NORMAL CUTTING POSITION - The positions assumed while making bucking and felling cuts.
- FELLING - The process of cutting down a tree.
- NOTCHED UNDERCUT - The first cutting procedure in the tree felling process. A notch is cut on one side of the tree to direct its fall.
- FELLING BACK CUT - The final cut in the tree felling process. The felling back cut is made on the opposite side of the tree from the notched undercut.
- BUCKING - The process of cutting a felled tree or log into lengths.
- LIMBING - The process of removing branches from a fallen tree.
- PRUNING - The process of cutting limbs from a living tree.

## SPECIFICATIONS\*

Engine Type .....	Air-Cooled, 2-Cycle
Displacement.....	42 cc (2.56 cu. in.)
Spark Plug Gap.....	0.025 in. (0.635 mm)
Spark Plug.....	Torch® CMR7H or equivalent plug
Lubrication .....	Bar and Chain Oil
Fuel/Oil Ratio .....	40:1
Fuel Tank Capacity .....	9 oz. (270 mL)
Chain Oil Reservoir Capacity.....	6.5 oz. (200 mL)
Approximate Unit Weight (without fuel or chain oil).....	11.75 - 12.75 lbs. (5.3 - 5.8 kg)
Guide Bar Length (TB4214) .....	14 in. (35.6 cm)
Guide Bar Length (TB4216) .....	16 in. (40.6 cm)
Guide Bar Length (TB4218) .....	18 in. (45.7 cm)
Saw Chain Pitch .....	3/8 in. (9.5 mm)
Saw Chain Gauge .....	0.050 in. (1.3 mm)

This spark ignition system complies with Canadian ICES-002.

\* All specifications are based on the latest product information available at the time of printing. We reserve the right to make changes at any time without notice.

### REPLACEMENT PARTS

Please contact the Customer Support Department to order replacement parts.

Part #	Description
713-05277 .....	Saw Chain (14 in. / 35.6 cm)
713-05276 .....	Saw Chain (16 in. / 40.6 cm)
713-05042 .....	Saw Chain (18 in. / 45.7 cm)
795-01022A .....	Guide Bar (14 in. / 35.6 cm)
795-01023A .....	Guide Bar (16 in. / 40.6 cm)
795-01024A .....	Guide Bar (18 in. / 45.7 cm)
753-08105 .....	Bar-Retaining Nuts


## ADDING BAR AND CHAIN OIL: INITIAL USE

This unit comes from the factory with the chain oil reservoir empty. Fill the chain oil reservoir with bar and chain oil before starting or using the unit. Refer to *Adding Bar and Chain Oil* instructions in the *Maintenance* section.

## ADJUSTING THE CHAIN TENSION: INITIAL USE

The saw chain must be properly tensioned before attempting to start or operate the unit. The saw chain may also require additional tensioning as the saw chain heats up during operation. Refer to *Adjusting the Chain Tension* instructions in the *Maintenance* section.

## TESTING THE CHAIN BRAKE

	<p><b>WARNING:</b> Always activate the chain brake slowly and deliberately. Keep the saw chain from touching anything. Do not let the chain saw tip forward.</p>
----------------------------------------------------------------------------------	------------------------------------------------------------------------------------------------------------------------------------------------------------------

Always test the chain brake before using the unit.

1. **Set the unit on a flat, level surface.**
  2. Make sure the chain brake lever is pulled back in the disengaged position (Fig. 1).
  3. Start the unit. Refer to *Starting Instructions* in the *Starting and Stopping* section. Maintain a proper grip. Refer to *Holding the Unit* in the *Operation* section.
  4. While the unit is running, squeeze the throttle control to 1/3 throttle and then engage the chain brake by pushing the chain brake lever forward with the left hand (Fig. 1). The chain should stop moving abruptly.
- IF...** If the chain stops moving, the chain brake is working correctly.
- IF...** If the chain does not stop moving, have the unit serviced by an authorized service dealer.
5. Stop the engine and return the chain brake to the disengaged position. Refer to *Stopping Instructions* in the *Starting and Stopping* section.

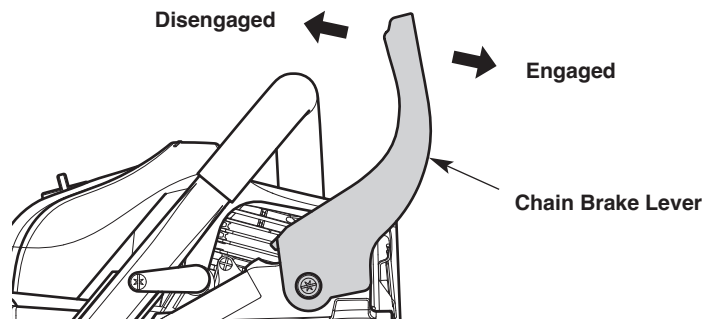


Fig. 1

# OIL AND FUEL

## OIL AND FUEL MIXING INSTRUCTIONS

The use of old and/or improperly mixed fuel is the most common cause of performance problems. Use only fresh, clean unleaded gasoline. Follow the instructions carefully for the proper gasoline/oil mixture.

### Definition of Blended Fuels

Today's fuels are often a blend of gasoline and oxygenates such as ethanol, methanol or MTBE (ether). Alcohol-blended fuel absorbs water. As little as 1% water in the fuel can make fuel and oil separate, forming acids when stored. ALWAYS use fresh fuel (less than 30 days old).

**NOTE:** Dispose of old fuel according to federal, state and local regulations.

### Using Blended Fuels

If using a blended fuel:

- Always use the fresh fuel mix explained in this operator's manual
- Use a fuel additive
- Always agitate the fuel mix before fueling the unit



**CAUTION: DO NOT USE E85 FUEL IN THIS UNIT.** It has been proven that fuel containing greater than 10% ethanol will likely damage this engine and void the warranty.

### Using Fuel Additives

The container of 2-cycle oil provided with this unit includes a fuel additive to help inhibit corrosion and minimize gum deposits. Always use the brand of 2-cycle oil that came with this unit. If this is unavailable, use a 2-cycle oil designed for air-cooled engines and mix it with a fuel additive. Add 0.8 oz. (23 ml) of fuel additive per gallon of fuel, according to the instructions on the container. NEVER add fuel additives directly to the unit's fuel tank.



### Mixing the Fuel

**NOTE:** This unit comes with a 3.2 oz. (95 ml) container of 2-cycle oil. To obtain the correct fuel mixture described below, pour the entire container into one gallon of unleaded gasoline.



**CAUTION:** For proper engine operation and maximum reliability, pay strict attention to the gasoline and oil mixing instructions on the 2-cycle oil container. Using improperly mixed fuel can severely damage the engine.

Thoroughly mix the proper ratio of unleaded gasoline with 2-cycle engine oil. Do not mix them directly in the unit's fuel tank. Use a separate fuel can. Use a 40:1 gasoline/oil ratio. See the table below for specific gasoline and oil mixing ratios.

	
<b>Unleaded gasoline</b>	<b>2-cycle oil</b>
<b>1 gallon U.S. (3.8 liters)</b>	<b>3.2 fl. oz. (95 ml)</b>
<b>1 liter</b>	<b>25 ml</b>

**MIXING RATIO - 40:1**

## FUELING THE UNIT



**WARNING:** Gasoline is extremely flammable. Ignited vapors may explode. Always stop the engine and allow it to cool before filling the fuel tank. Do not smoke while filling the tank. Keep sparks and open flames at a distance from the area.



**WARNING:** Remove the fuel cap slowly to avoid injury from fuel spray. Never operate the unit without the fuel cap securely in place.

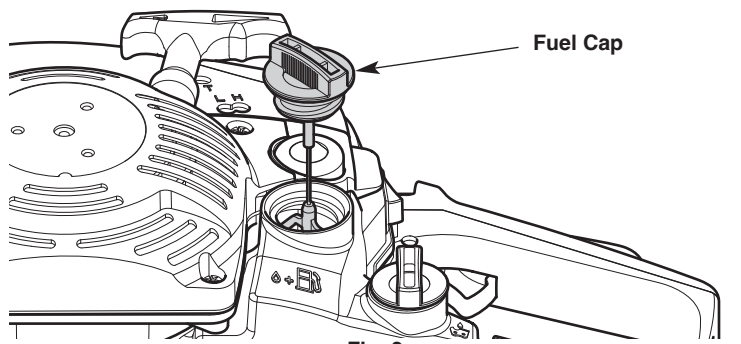


**WARNING:** Add fuel in a clean, well-ventilated outdoor area. Wipe up any spilled fuel immediately. Avoid creating a source of ignition for spilled fuel. Do not start the engine until fuel vapors dissipate.

1. Position the unit with the fuel cap facing up.
2. Slowly remove the fuel cap (Fig. 2).
3. Place the fuel container spout into the fuel tank fill hole and fill the tank.

**NOTE:** Do not overfill the tank.

4. Wipe up any fuel that may have spilled.
5. Reinstall the fuel cap.
6. Move the unit at least 30 ft. (9.1 m) from the fuel container and the fueling site before starting the engine.



**Fig. 2**

## STARTING AND STOPPING



**WARNING:** Operate this unit only in a well-ventilated outdoor area. Carbon monoxide exhaust fumes can be lethal in a confined area.



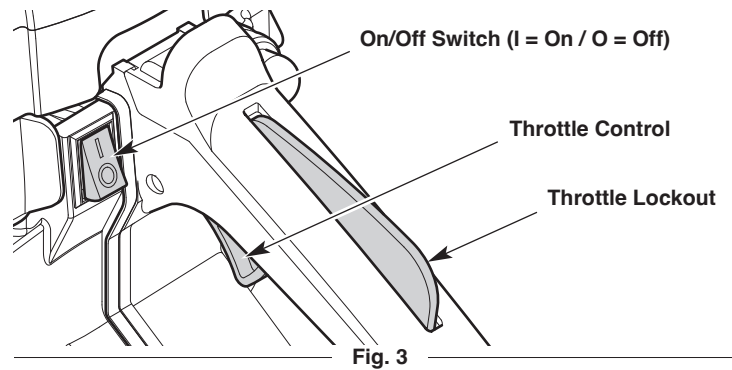
**WARNING:** Avoid accidentally starting the unit. To avoid serious injury, the operator and the unit must be in a stable position when pulling the starter rope (Fig. 5).



**WARNING:** Never operate the unit without the guide bar and saw chain properly installed. Make sure the bar-retaining nuts are tight and the guide bar cover is securely assembled. Make sure the saw chain is properly tensioned. Refer to *Adjusting the Chain Tension* instructions in the *Maintenance* section.



**WARNING:** The saw chain will spin after the engine starts. Keep hands and feet clear of the saw chain and do not allow the saw chain to contact any object(s).



### STARTING INSTRUCTIONS

#### Before Starting the Unit

1. Clean the air filter. Refer to *Maintaining the Air Filter* in the *Maintenance* section.
2. Mix gasoline with oil. Refer to *Oil and Fuel Mixing Instructions*.
3. Fill the fuel tank. Refer to *Fueling the Unit*.
4. Fill the chain oil reservoir with bar and chain oil. Refer to *Adding Bar and Chain Oil* in the *Maintenance* section.
5. Make sure the chain brake is disengaged. Refer to *Testing the Chain Brake* in the *Assembly* section.

#### Starting the Unit

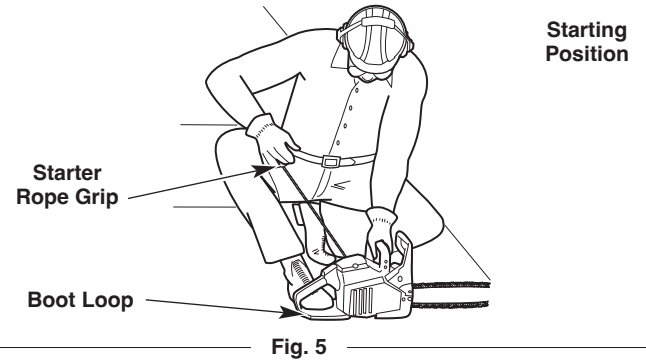
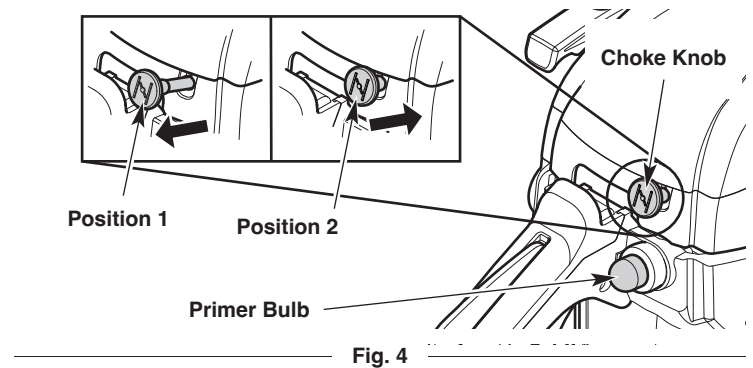
1. Move the On/Off switch to the **On** position (Fig. 3).
2. Slowly press and release the primer bulb **10 times** (Fig. 4). If fuel cannot be seen in the primer bulb, press and release the primer bulb until fuel is visible.
3. Pull the choke knob out to **Position 1** (Fig. 4).

**NOTE: DO NOT touch the throttle control (Fig. 3) until step 10.**

4. Set the unit on a flat, level surface. Clear the area of any objects that could contact the saw chain.
5. Crouch in the starting position (Fig. 5). Hold the front handle with the left hand. Hold the starter rope grip with the right hand. Insert the right foot into the boot loop to help hold the unit firmly in place.
6. Pull the starter rope with a controlled and steady motion **5 times** (Fig. 5).
7. Push the choke knob in to **Position 2** (Fig. 4).
8. Pull the starter rope with a controlled and steady motion **3 to 5 times** to start the engine.
9. Allow the engine to warm up for 30 to 60 seconds.
10. Press and hold the throttle lockout. Lightly squeeze and release the throttle control to idle the engine.



**WARNING:** The saw chain should not move when the engine runs at idle. If it does move, refer to *Adjusting the Idle Speed* in the *Maintenance* section.



11. To reduce the chance of injury, engage the chain brake until you are ready to begin operation. When ready, disengage the chain brake. Then press the throttle lockout and squeeze the throttle control to accelerate the engine, as needed.

**NOTE:** The engine is properly warmed up when it accelerates without hesitation.

**IF...** the engine hesitates, continue the warm-up.

**IF...** the engine does not start, repeat the starting procedure.

**IF...** the engine fails to start after a few attempts, move the choke knob to **Position 2**, press the throttle lockout and squeeze the throttle control. Pull the starter rope with a controlled and steady motion until the unit starts.

**IF...** the engine is already warm, make sure the On/Off switch is in the **On** position, crouch in the starting position, pull the choke knob out to **Position 1** and then push the choke knob back in to **Position 2**. Begin the starting procedure with step 8.

## STOPPING INSTRUCTIONS

1. Release the throttle control and allow the engine to idle.
2. Move the On/Off switch to the **Off (O)** position (Fig. 3). Wait for the engine and saw chain to come to a complete stop.

### Emergency Stopping

1. Push the chain brake lever forward to engage the chain brake. Refer to *Testing the Chain Brake* in the *Assembly* section.
2. Move the On/Off switch to the **Off (O)** position. Wait for the engine and saw chain to come to a complete stop.

## OPERATION



**WARNING:** Always check the chain tension and adjust as necessary before beginning operation. Refer to *Adjusting the Chain Tension* in the *Maintenance* section.



**WARNING:** Make sure the chain oil reservoir is full before operation. Check the oil level constantly so that it does not drop below half full. Make sure the chain oil adjustment screw is set appropriately. Refer to *Setting the Chain Oil Adjustment Screw* in the *Maintenance* section. The saw chain must be continuously coated with oil to function properly.



**WARNING:** Always wear appropriate eye, hearing, hand, foot and body protection to reduce the risk of injury when operating this unit. Wear head protection. Use a full face shield when needed. Refer to the *Safety* section for appropriate safety equipment information.


## TIPS FOR BEST RESULTS

- Follow all safety instructions. Refer to the *Safety* section.
- Only cut wood and materials made of wood. Do not attempt to cut sheet metal, plastics, masonry or any other non-wood materials.
- Practice cutting a few small logs before beginning a major cutting operation. First-time users should practice cutting logs on a sawhorse or cradle before undertaking other operations.
- Do not attempt to cut trees or logs with diameters larger than:
  - 10 in. / 25.4 cm (TB4214)
  - 12 in. / 30.5 cm (TB4216)
  - 14 in. / 35.6 cm (TB4218)

## PREPARING THE WORK AREA

- Clear the area of children, bystanders and pets; keep them outside a 50-foot (15 m) radius, at a minimum. Even then, they are still at risk from thrown objects. Encourage bystanders to wear eye protection. If you are approached, stop the unit immediately. When felling, the safe distance is at least twice the height of the tallest tree in the work area. When bucking, keep workers at least 15 feet (4.6 m) apart.
- Keep the work area clean. Cluttered areas invite injuries. Do not start cutting until the work area is clear and free from obstructions. Make sure there is secure footing and a planned retreat path from falling trees or branches.
- Do not cut near electrical cables or power lines. Keep at least 50 feet (15 m) away from all power lines.
- Use the unit only in daylight or good artificial light.

## HOLDING THE UNIT

	<p><b>WARNING:</b> Always use the hand placements specified below whether the operator is left-handed or right-handed. This will help keep the operator slightly to the left of the unit and out of the direct line of the saw chain if kickback occurs (Fig. 8 and Fig. 9). Always keep all body parts to the left of the chain line.</p>
----------------------------------------------------------------------------------	--------------------------------------------------------------------------------------------------------------------------------------------------------------------------------------------------------------------------------------------------------------------------------------------------------------------------------------------

- Firmly encircle the handles with the thumbs and fingers (Fig. 6). This will help reduce the chance of losing control of the unit if kickback occurs. Any grip with thumbs and fingers on the same side of the handles is dangerous (Fig. 7).
- Always grip the unit firmly with both hands when the unit is running.
- Hold the front handle with the left hand. Keep the left arm straight to help withstand potential kickback.
- Hold the rear handle with the right hand. Keep the right arm slightly bent.
- Stand in a stable position with feet apart and firmly planted.
- Do not cut above shoulder height. Do not overreach.

## CUTTING PROCEDURE BASICS

1. Start the unit. Refer to *Starting Instructions* in the *Starting and Stopping* section.
2. Keep your fingers off the throttle control until you are ready to make a cut.
3. Accelerate the unit to full speed before cutting.
4. Make sure that oil is flowing onto the guide bar and saw chain. A small spray should be visible. When using the unit for the first time, allow 30-60 seconds for the oil to begin flowing.
5. Press the unit against the wood and maintain a firm, steady pressure through most of the cut. Do not put pressure on the unit at the end of the cut.
6. Maintain a steady speed throughout the cut. Keep the unit running through the entire cut.
7. Do not try to force the saw through the wood. Allow the saw chain to do the cutting. Exert only light pressure. Forcing the cut could result in damage to the unit or personal injury.
8. Release the throttle control as soon as the cut is completed. Allow the saw chain to come to a complete stop. The saw chain, guide bar and engine may experience unnecessary wear if the unit is run without a cutting load.

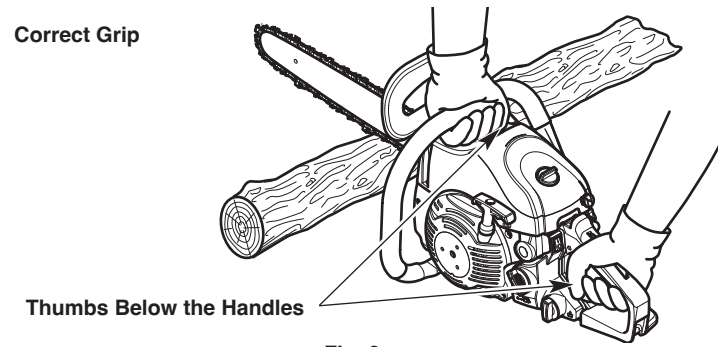


Fig. 6

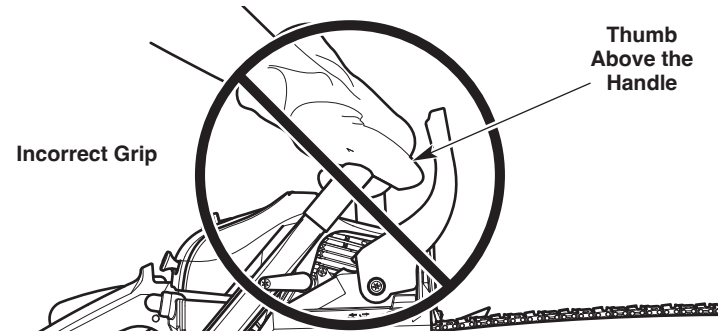


Fig. 7

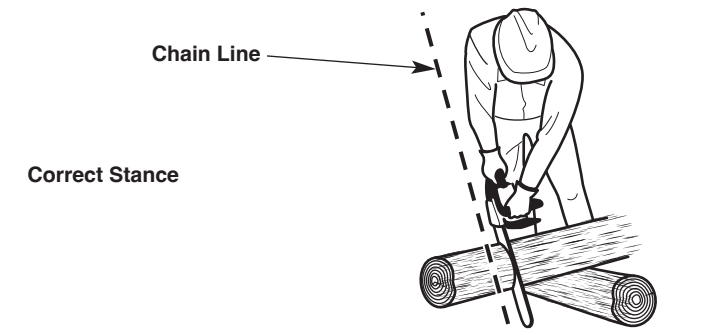


Fig. 8

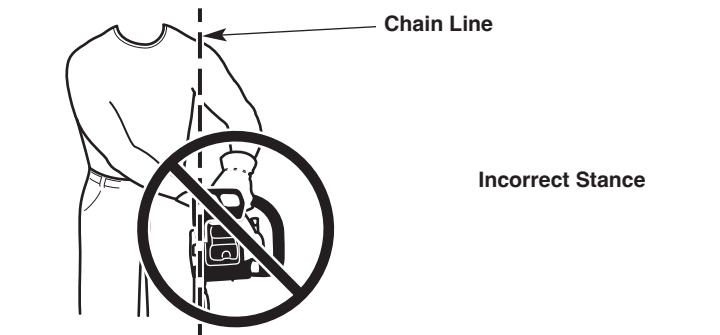


Fig. 9

## FELLING: SAFETY

Felling is the process of cutting down a tree. Follow these safety precautions to reduce the risk of serious injury, property damage and damage to electrical lines:

- Do not fell trees with an extreme lean. Do not fell trees with rotten limbs, loose bark or hollow trunks. Have these trees pushed or dragged down with heavy equipment.
- Do not cut trees near buildings or electrical lines. Leave these operations for professionals. If a felled tree does contact an electrical line, notify the utility company immediately.
- Check the tree for damaged or dead branches that could fall and cause serious injury.
- Remove dirt, stones, loose bark, nails, wire and other obstructions from the portion of the tree that will be cut.
- When bucking and felling operations are performed by two or more persons in the same general area, they should be separated from each other by a distance of at least twice the height of the tree to be felled.
- Consider the force and direction of the wind. Consider the lean and balance of the tree. Consider the location of large branches. All of these factors influence the direction that the tree will fall. Do not try to fell a tree in a direction other than its natural fall line.
- Do not fell trees during periods of precipitation or high winds.
- Determine a safe and expedient escape route. Clear the area around the tree and make sure there are no obstructions blocking the escape route. Establish a 90° corridor of escape, approximately 135° from the line of fall (Fig. 10).
- Stay uphill from the tree; it will most likely roll or slide after it falls.

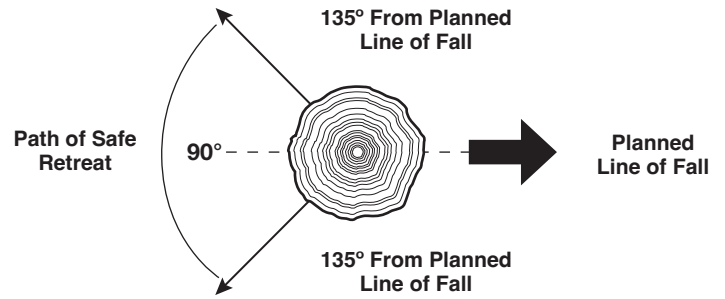


Fig. 10

## FELLING: PROCEDURE

Small trees, up to 6 - 7 inches (15 - 18 cm) in diameter, are usually felled in a single cut. Larger trees require a sequence of two cutting operations: a notched undercut followed by a felling back cut. It may also be necessary to remove buttress roots.

### Step 1: Removing Buttress Roots

Buttress roots are large roots that extend above the ground and help support the tree. If the tree has large buttress roots that might impede the felling process, follow these steps to remove them:

1. Make a horizontal cut into the buttress root (Fig. 11). To prevent the guide bar from being pinched by the weight of the wood, always make this cut first.
2. Make a vertical cut into the buttress root (Fig. 11).
3. Remove the loose section from the work area.

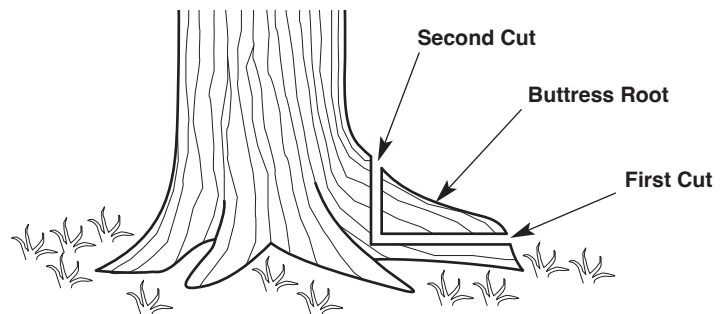


Fig. 11

### Step 2: Making the Notched Undercut

**WARNING:** Never walk in front of a tree with a notched undercut.

This cut determines which direction the tree will fall. Always make this cut on the side of the tree facing the direction where the tree should fall. Make the cut at 90° to the line of fall.

1. Make a horizontal cut into the trunk of the tree (Fig. 12). The cut should be about 1/3 the diameter of the tree and close to the ground. To prevent the guide bar from being pinched by the weight of the wood, always make this cut first.
2. Make a 45° cut into the trunk of the tree, above the first cut (Fig. 12). Continue cutting until the two cuts meet.
3. Remove the loose section from the work area.

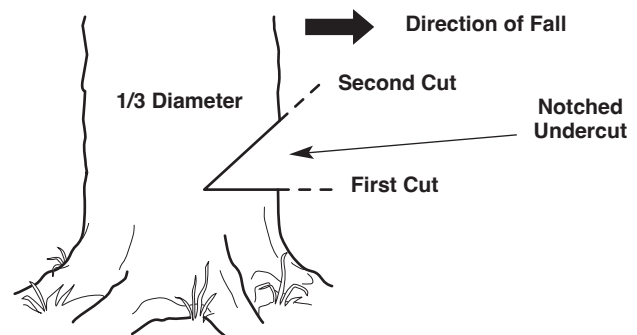


Fig. 12

### Step 3: Making the Felling Back Cut



**WARNING:** Always recheck the area for bystanders, animals and obstacles before making the felling back cut.

This cut fells the tree.

1. Make a horizontal cut into the opposite side of the tree from the notched undercut (Fig. 13). Make the cut approximately 2 inches (5 cm) above the bottom of the notched undercut (Fig. 13).
2. As the cut gets close to the notched undercut, only a thin band of wood will support the tree. This band of wood is referred to as the hinge (Fig. 13). The hinge helps control the fall of the tree. Leave approximately 2 inches (5 cm) of hinge in place. Do not cut through the hinge. Cutting through the hinge could cause the tree to fall in any direction.
3. Periodically glance up during the felling back cut to see if the tree is going to fall in the correct direction. If there is a chance that the tree might not fall in the desired direction, or if the tree might rock back and bind the chain saw, remove the guide bar from the cut, stop the unit and use wedges to open the cut and direct the fall (Fig. 14). Only use soft plastic or wooden wedges. Drive the wedges into the cut slowly. Once the wedges are in place and the cut is held open, either carefully reinsert the guide bar and continue the cut or slowly drive the wedges in further to push the tree over.
4. As the hinge gets smaller, the tree should begin to fall. When the tree begins to fall, remove the chain saw from the cut, stop the engine and set the unit down immediately. Promptly exit the area along the retreat path, but keep watching the tree as it falls.

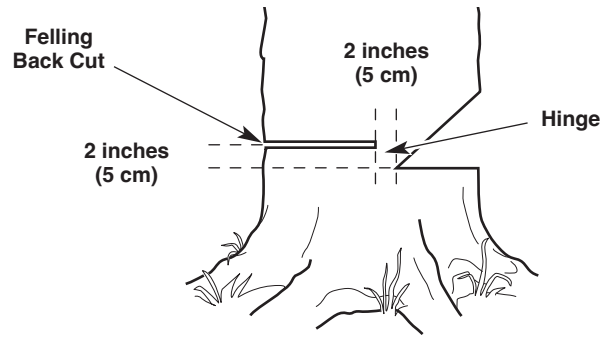


Fig. 13



Fig. 14



**DANGER:** If the tree starts to fall in the wrong direction and binds the chain saw, leave the unit and evacuate the area immediately! Do not try to save the chain saw!



**WARNING:** Stay clear of spring poles when operating the unit. Spring poles are branches, logs, roots or saplings that are bent under tension by other wood (Fig. 15). When the tension is released, spring poles can strike the operator, causing serious injury and potentially knocking the chain saw into the operator's body. Use extreme caution when cutting spring poles or when releasing the cause of tension.

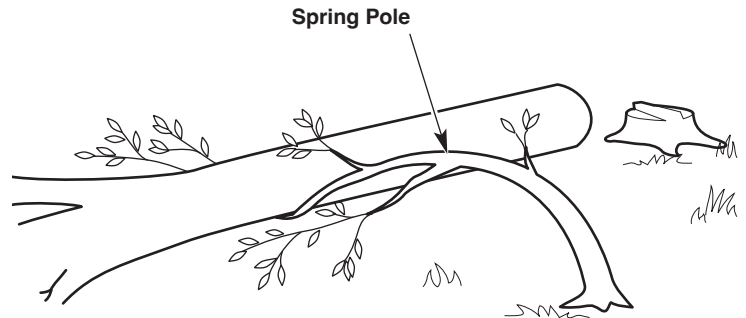


Fig. 15

### LIMBING

Limbing is the process of removing branches from a fallen tree.

1. Leave the larger support limbs under the tree for last (Fig. 16). These will keep the tree off the ground during the limbing process.
2. Cut one limb at a time. Stand on the opposite side of the tree from the limb (Fig. 16). Keep the trunk between the operator and the chain saw. To avoid binding the chain saw, branches under tension should be cut from the bottom up.
3. Remove the cut limbs from the work area.

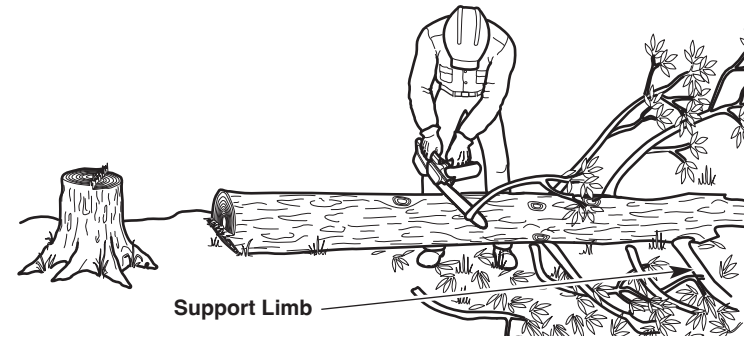


Fig. 16

## BUCKING: SAFETY

Bucking is the process of cutting a fallen tree into logs of desired lengths. Follow these safety precautions to reduce the risk of serious injury:

- Clear the area of objects or obstructions that could contact the guide bar and result in kickback.
- When bucking on a slope, always stand on the uphill side of the fallen tree.
- If possible, the end of the tree to be cut should be raised off of the ground. A saw horse is ideal for this purpose. If a saw horse is not available, use other logs or any remaining limb stumps. Make sure the tree is firmly supported.
- Do not let the saw chain contact the ground or saw horse.
- Cut one log at a time. Release the throttle control and allow the saw chain to come to a complete stop before moving on to the next log.
- Keep feet and all other body parts clear of falling logs.



**DANGER:** Use extreme caution when cutting a fallen tree that is still attached to the root structure. When the trunk is separated from the roots, the stump has a high potential for rocking back into the hole created by the roots. This can result in serious injury or death. Never stand in the hole left by the roots. Never allow others to stand near the root structure.

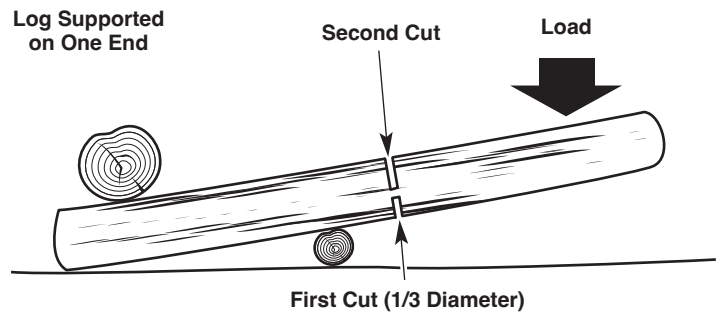


Fig. 17

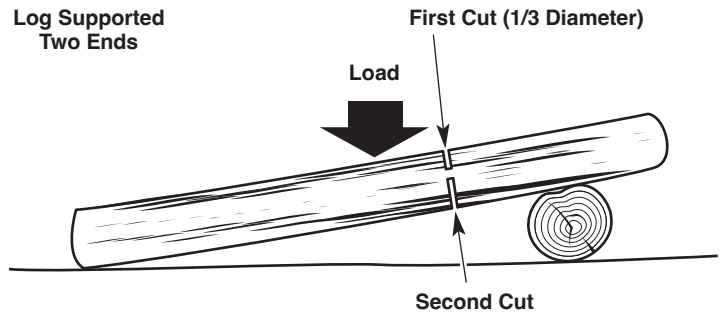


Fig. 18

## BUCKING: PROCEDURE

### Cutting Logs Under Stress

When logs are supported on one or both ends, the wood tends to bend during the cutting process. This can cause the chain saw to become pinched between the two sides. Pay extra attention.

1. Make the first cut approximately 1/3 the diameter of the log. Do not cut deeper than 1/3.
  - If the log is supported on one end (Fig. 17), make the first cut from below (underbucking). Refer to *Underbucking*.
  - If the log is supported on two ends (Fig. 18), make the first cut from above (overbucking). Refer to *Overbucking*.
2. Make the second cut from the opposite side until the two cuts meet. If the diameter of the wood is large enough, insert soft plastic or wooden wedges to hold the cut open and prevent pinching (Fig. 21). Take care not to touch the wedges with the saw chain.

### Cutting Fully-Supported Logs

When logs are supported along the entire length, extra care should be taken to make sure the saw chain does not contact the ground or other support structure (Fig. 19).

1. Cut through the log as much as possible, without cutting into the ground or support structure. Cut from above (overbucking). Refer to *Overbucking*.
2. Roll the log over and finish cutting through the log from above (overbucking).

### Overbucking

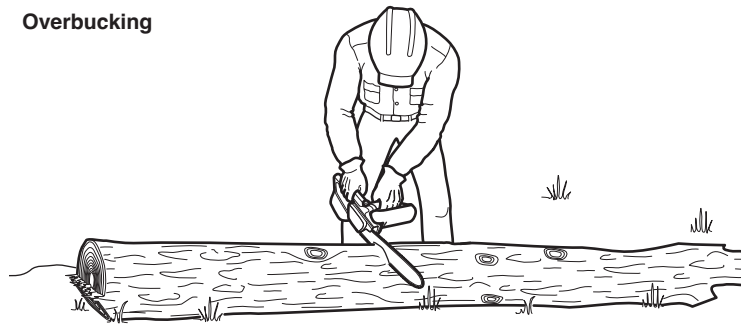


Fig. 19

### Underbucking

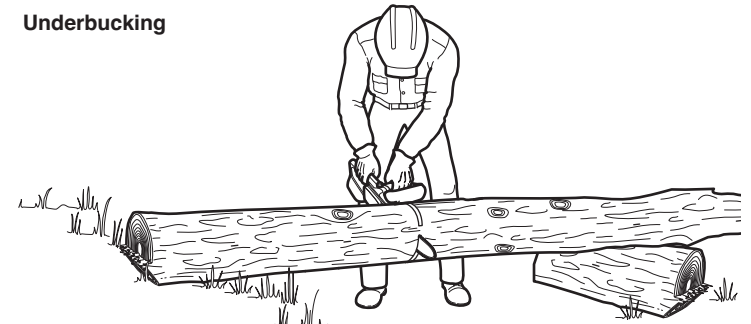


Fig. 20

## Overbucking

1. Begin cutting from above, with the bottom of the saw chain against the top of the log (Fig. 19).
2. Exert light, downward pressure. The saw will tend to pull away from the operator. Be prepared and hold the saw firmly to maintain control.



## Underbucking

1. Begin cutting from below, with the top of the saw chain against the bottom of the log (Fig. 20).
2. Exert light, upward pressure. The saw will tend to push toward the operator. Be prepared and hold the saw firmly to maintain control.



Fig. 21

## PRUNING

	<b>WARNING:</b> Do not cut above shoulder height with a chain saw. Use a pole saw to cut limbs above shoulder height or hire a professional. Do not operate the unit in a tree or on a ladder unless specifically trained to do so.
	<b>WARNING:</b> Falling branches can cause serious injury. Always wear appropriate head protection. Plan an escape route away from falling limbs. Do not position any body parts directly below the limb when cutting.

Pruning is the process of cutting limbs from a living tree.

1. Make the first cut approximately 6 inches (15 cm) from the tree trunk. Cut upward, from the underside of the limb. Use the top of the guide bar to make this cut. Cut a third of the way through the diameter of the limb (Fig. 22).
2. Make the second cut 2 - 4 inches (5 - 10 cm) farther out on the limb. Cut downward, from the top of the limb. Use the bottom of the guide bar to make this cut. Cut completely through the limb (Fig. 22).
3. Make the third cut as close to the tree trunk as possible. Cut upward, from the underside of the limb stub. Use the top of the guide bar to make this cut. Cut a third of the way through the diameter of the limb (Fig. 22).
4. Make the fourth cut directly above the third cut. Cut downward, from the top of the limb stub. Use the bottom of the guide bar to make this cut. Cut completely through the limb stub to meet the third cut (Fig. 22). This will remove the limb stub.

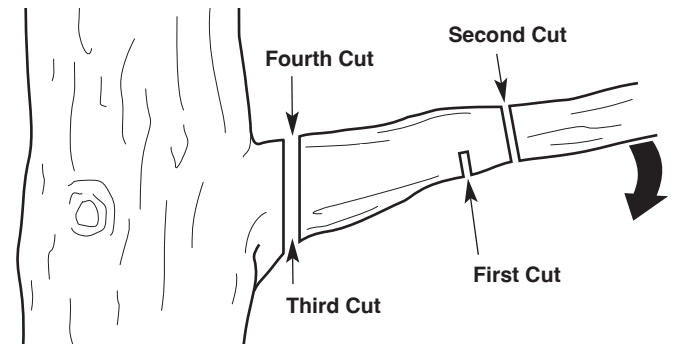


Fig. 22

## MAINTENANCE



**WARNING:** To avoid serious personal injury, always stop the engine and allow it to cool before cleaning or maintaining the unit. Never perform cleaning or maintenance while the unit is running. Disconnect the spark plug wire to prevent the unit from starting accidentally.



**WARNING:** Wear protective clothing and observe all safety instructions to prevent serious personal injury.

### MAINTENANCE SCHEDULE

Perform these required maintenance procedures at the frequency stated in the table. These procedures should also be a part of any seasonal tune-up.

All service, other than the maintenance procedures described in this manual, should be performed by an authorized service dealer.

**NOTE:** Some maintenance procedures may require special tools or skills. If you are unsure about these procedures, take the unit to an MTD authorized service dealer.

**NOTE:** Maintenance, replacement, or repair of the emission control devices and system may be performed by an MTD authorized service dealer.

**NOTE:** Please read the California/EPA statement that came with the unit for a complete listing of terms and coverage for the emissions control devices, such as the spark arrestor, muffler, carburetor, etc.

## CUSTOMER RESPONSIBILITY

FREQUENCY	MAINTENANCE REQUIRED
Before each use	<ul style="list-style-type: none"> <li>• Check for loose screws, nuts or bolts (tighten as needed)</li> <li>• Check for damaged or worn parts*</li> <li>• Check the saw chain sharpness. Refer to <i>Sharpening the Saw Chain</i>.</li> <li>• Test the chain brake*. Refer to <i>Testing the Chain Brake</i>.</li> <li>• Check the chain tension (adjust as needed). Refer to <i>Adjusting the Chain Tension</i>.</li> <li>• Fill the chain oil reservoir (refill frequently). Refer to <i>Adding Bar and Chain Oil</i>.</li> <li>• Fill the fuel tank with fresh, properly mixed fuel. Refer to the <i>Oil and Fuel</i> section.</li> <li>• Clean the air filter. Refer to <i>Maintaining the Air Filter</i>.</li> </ul>
After each use	<ul style="list-style-type: none"> <li>• Clean the unit and inspect decals. Refer to <i>Cleaning</i> in the <i>Cleaning and Storage</i> section.</li> </ul>
Every 10 hours	<ul style="list-style-type: none"> <li>• Check the spark plug condition and gap. Refer to <i>Maintaining the Spark Plug</i>.</li> <li>• Clean the guide bar groove and oil passages. Lubricate the sprocket tip. Refer to <i>Maintaining the Guide Bar</i>.</li> <li>• Clean the cylinder fins. Refer to <i>Cleaning</i> in the <i>Cleaning and Storage</i> section.</li> </ul>

\* If maintenance or replacement is required, have the unit serviced by an MTD authorized service dealer.

## ADDING BAR AND CHAIN OIL

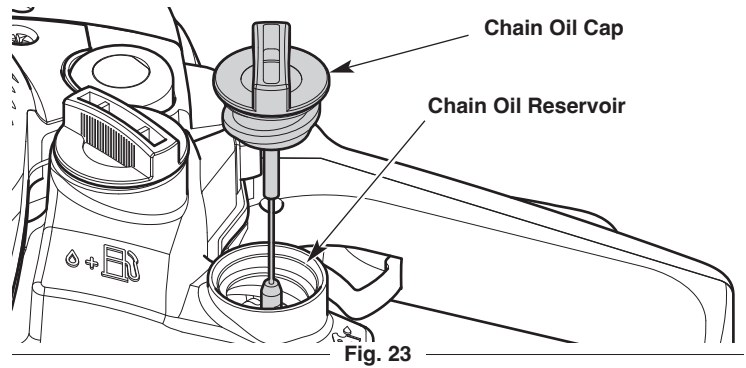
**DANGER:** Failure to fill the chain oil reservoir will cause irreparable damage to the unit. Make sure the chain oil reservoir is always filled. Always use bar and chain oil.

**WARNING:** Oil constantly flows from the chain oil reservoir to oil the saw chain. Check the chain oil level frequently so that it does not drop below half full.

The guide bar and saw chain require lubrication to minimize friction. Never starve the guide bar and chain of lubricating oil. Running the unit without enough oil will decrease cutting efficiency, shorten the life of the saw chain, cause rapid dulling of the saw chain and excessive wear to the guide bar from overheating. An insufficient amount of lubricating oil is evidenced by smoke, guide bar discoloration or pitch build-up.

**NOTE:** Always use Troy-Bilt bar and chain oil, which has been designed for optimal performance. Other lubricants could clog or damage the dispenser. Always use a high-quality, biodegradable bar and chain oil for proper saw chain and bar lubrication. When pruning trees, vegetable-based bar and chain oil is recommended, as mineral-based oils may harm living trees. Never use dirty, used, or contaminated oil. Doing so may damage the tool. Dispose of old oil according to federal, state and local regulations.

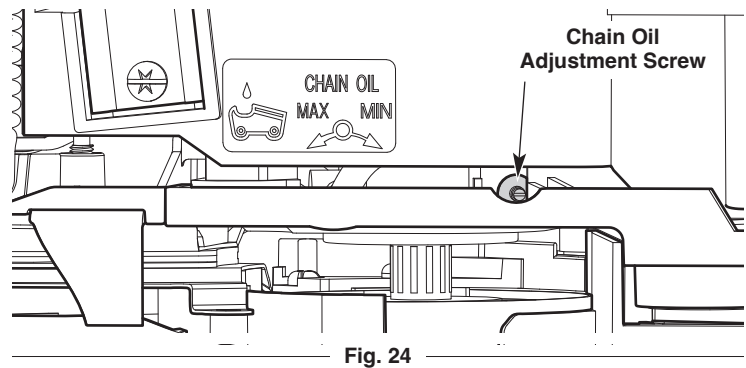
1. **Set the unit on a flat, level surface.**
2. To prevent debris from entering the chain oil reservoir, use a damp cloth to clean the chain oil cap and surrounding area.
3. Unscrew the chain oil cap (Fig. 23).
4. Carefully pour the oil into the chain oil reservoir. **DO NOT** overfill.
5. Reinstall the chain oil cap. Tighten the cap firmly.
6. Wipe up any oil that may have spilled.



## ADJUSTING THE BAR AND CHAIN OIL FLOW

Bar and chain oil will slowly flow from the chain oil reservoir onto the chain. Approximately one tank of bar and chain oil is used for every tank of fuel.

1. To increase the oil flow, turn the automatic oiler adjustment screw counterclockwise with a flat-head screwdriver (Fig. 24).
2. To decrease the oil flow, turn the automatic oiler adjustment screw clockwise with a flat-head screwdriver (Fig. 24).



## ADJUSTING THE CHAIN TENSION



**CAUTION:** The guide bar, saw chain, and saw bearings will wear more rapidly if the saw chain is not properly tensioned. Maintaining proper chain tension will improve cutting performance and prolong the life of the saw chain.



**WARNING:** To prevent serious injury, never touch the saw chain or adjust the chain tension while the unit is running. Disconnect the spark plug wire to prevent the unit from starting accidentally.



**WARNING:** The saw chain is very sharp. Always wear heavy-duty protective gloves when handling or performing maintenance on the saw chain.

Check the chain tension before and during operation. The saw chain will expand as it heats up during operation. Adjust the chain tension whenever the flats on the saw chain hang out of the bar groove (Fig. 25 and Fig. 26).

**NOTE:** A new saw chain tends to stretch and will need readjustment after as few as five (5) cuts. This is normal during the break-in period. The interval between future adjustments will lengthen quickly.

1. Make sure the chain brake is disengaged. Refer to *Testing the Chain Brake* in the *Assembly* section.
2. Use the srench or a 1/2 inch (13 mm) wrench to slightly loosen the bar-retaining nuts (Fig. 27). **DO NOT** remove the bar cover.
3. Hold the guide bar tip up and use a flat-head screwdriver to turn the chain-tensioning screw (Fig. 27).
  - Turn the chain-tensioning screw clockwise to tighten the saw chain.
  - Turn the chain-tensioning screw counterclockwise to loosen the saw chain.

The saw chain should fit snugly against the underside of the guide bar. There should be no sag (Fig. 26).

4. Continue to hold the guide bar tip up and move the saw chain back and forth along the guide bar (Fig. 28). Make sure the saw chain moves freely and is in proper mesh with the sprocket. If the saw chain does not move easily, slowly turn the chain-tensioning screw counterclockwise to loosen the saw chain.

**NOTE:** The saw chain will not move if the chain brake is engaged.

5. Continue to hold the guide bar tip up and securely tighten the bar-retaining nuts.



**CAUTION:** If the saw chain was tensioned while warm, it may become too tight when cooled. Loosen the chain tension after operation and check the chain tension before the next use.

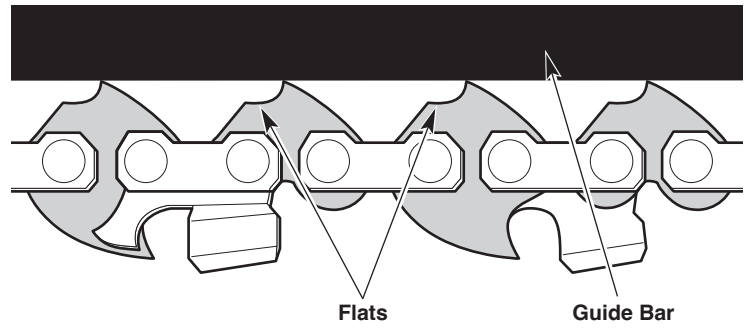


Fig. 25

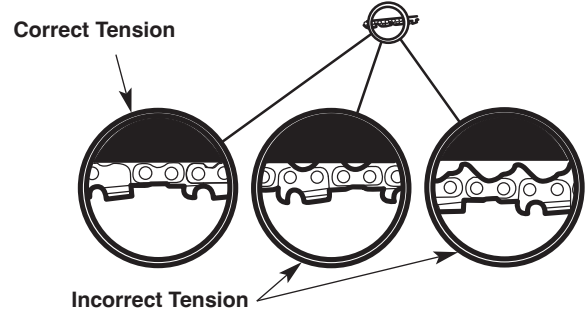


Fig. 26

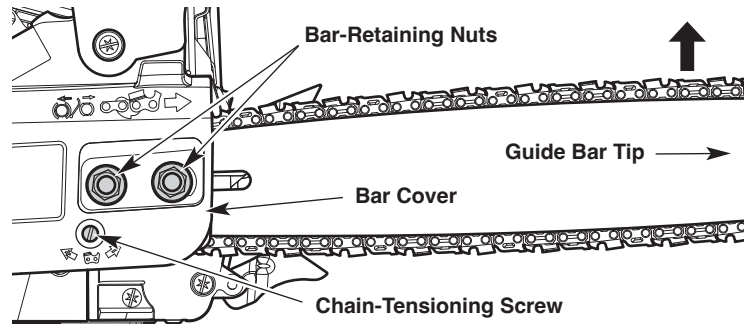


Fig. 27

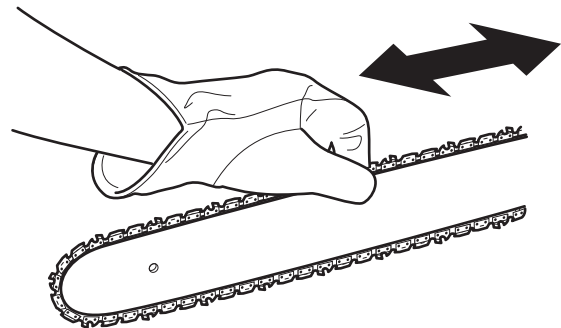


Fig. 28

## REMOVING AND INSTALLING THE GUIDE BAR AND SAW CHAIN



**WARNING:** The saw chain is very sharp. Always wear heavy-duty protective gloves when handling or performing maintenance on the saw chain.

The guide bar and saw chain need to be removed when certain maintenance procedures are performed, such as when rotating the guide bar. When replacing old guide bars and saw chains with new parts, always use the manufacturer's specified replacement parts. Refer to *Replacing the Guide Bar and Saw Chain*.

### Removing the Guide Bar and Saw Chain

1. Make sure the chain brake is disengaged. Refer to *Testing the Chain Brake* in the *Assembly* section.
2. Use the screwdriver or a 1/2 inch (13 mm) wrench to loosen the bar-retaining nuts (Fig. 29).
3. Remove the bar-retaining nuts and bar cover (Fig. 29).
4. Loosen the saw chain. Refer to *Adjusting the Chain Tension*.
5. Remove the guide bar and saw chain from the guide bar bolts (Fig. 31).
6. Remove the saw chain from the guide bar.

### Installing the Guide Bar and Saw Chain

1. Set the saw chain on a clean, flat surface and straighten out any kinks.
2. Fit the saw chain into the guide bar groove (Fig. 30). Make sure the cutters point in the correct direction of rotation (Fig. 30). Keep a loop of saw chain at the back end of the guide bar (Fig. 30).
3. Hold the saw chain and guide bar together in position over the unit. Loop the saw chain around the drive sprocket and install the guide bar onto the guide bar bolts (Fig. 31). Make sure the guide bar is flush against the mounting surface. Make sure the flats on the saw chain are in the grooves on the drive sprocket.
4. Install the bar cover. Make sure the chain-tensioning pin is in the pin hole on the guide bar (Fig. 32).
5. Place the bar-retaining nuts onto the guide bar bolts and tighten them hand tight. **DO NOT** tighten the bar-retaining nuts completely.
6. Make sure the saw chain is still in the guide bar groove. Adjust the chain tension. Refer to *Adjusting the Chain Tension*.
7. Hold the guide bar tip up and securely tighten the bar-retaining nuts.

## MAINTAINING THE SAW CHAIN

For safe, efficient operation, the saw chain must be maintained properly. The saw chain will wear with use, causing the chain to stretch. This is normal. When it is no longer possible to obtain a correct chain-tension adjustment, the saw chain will need to be repaired by an authorized service dealer or replaced. Refer to *Replacing the Guide Bar and Saw Chain*.

Always keep the saw chain sharp. During operation, look for the following indicators of a dull saw chain:

- Wood chips are small and powdery.
- The saw chain must be forced through the wood.
- The saw chain cuts to one side.

If any of these conditions exist, sharpen or replace the saw chain. Refer to *Sharpening the Saw Chain* or *Replacing the Guide Bar and Saw Chain*.

**NOTE:** If you do not fully understand the process for properly sharpening a saw chain after reading the instructions, have the saw chain sharpened by an authorized service center or replace the saw chain.

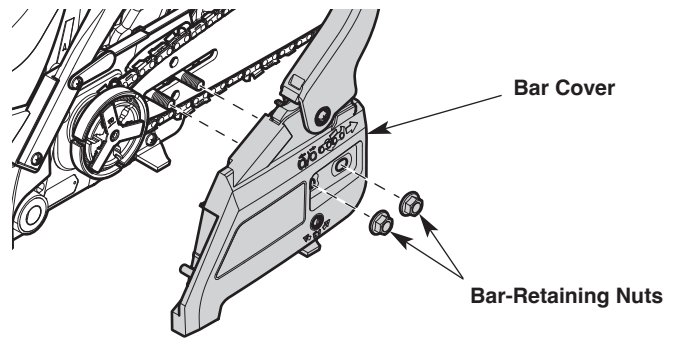


Fig. 29

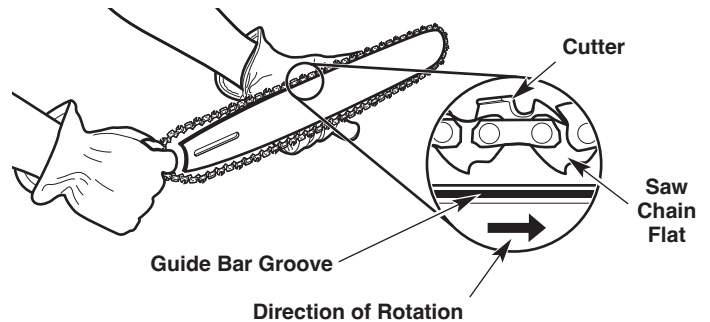


Fig. 30

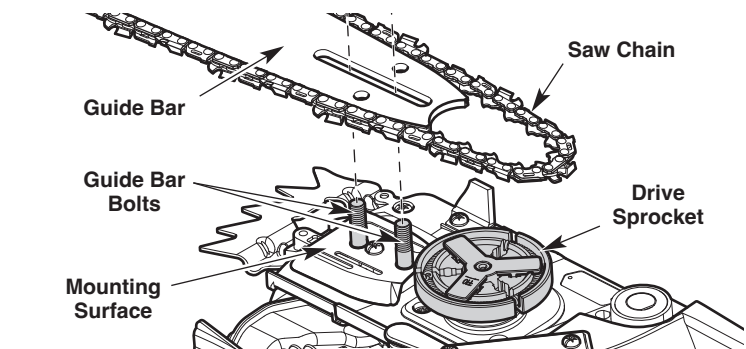


Fig. 31

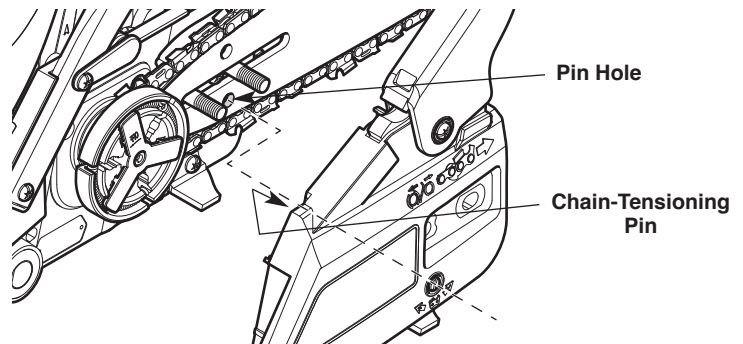


Fig. 32

## SHARPENING THE SAW CHAIN



**WARNING:** The saw chain is very sharp. Always wear heavy-duty protective gloves when handling or performing maintenance on the saw chain.



**WARNING:** An improperly sharpened saw chain increases the chance of kickback. Failure to replace or properly maintain the saw chain can cause serious injury.



**CAUTION:** A dull or improperly sharpened saw chain can cause excessive engine speed during operation, which can result in severe engine damage.

If the saw chain was damaged by contacting hard objects, such as nails or stones, or was abraded by mud or sand on the wood, have an authorized service dealer sharpen the saw chain.

When sharpening the saw chain, file all cutters to the specified angles and measurements. Other angles or measurements can cause excessive wear to the guide bar and saw chain, cause the chain to dull quickly and increase the chance of kickback. Fast cutting can be obtained only when all cutters are uniform.

1. Tighten the chain tension so that the saw chain is taut and does not wobble. Refer to *Adjusting the Chain Tension*.
  - Always file the saw chain at the midpoint of the guide bar.
2. Use a round file and file holder (tools not included) to sharpen the top plate and side plate of each cutter.
  - Use a 5/32 inch (4 mm) diameter file.
  - Keep the file level with the top plate of the cutter (Fig. 33). Do not let the file dip or rock. Use light, but firm pressure.
  - File toward the front corner of the cutter (Fig. 34). Lift the file away from the cutter at the end of the forward stroke. Only file on the forward stroke.
  - Apply a few firm strokes to each tooth. When filed correctly, the top plate will be at a 30° angle and the side plate will be at an 80° angle (Fig. 35). Using the correct file and file holder will automatically produce the correct angles.
  - File all the left-hand cutters in one direction (Fig. 34). Then move to the other side of the saw chain and file all of the right-hand cutters in the opposite direction (Fig. 34).
  - Occasionally remove filings with a wire brush.
3. Use a depth gauge tool (not included) to measure the depth gauge clearance (Fig. 36) of each cutter. The depth gauge clearance must be maintained at 1/32 inch (0.6 mm). The depth gauge clearance determines the depth at which the cutter enters the wood during operation and the size of the wood chips produced. Too much clearance increases the chance of kickback. Too little clearance decreases the size of the wood chips, thus decreasing the ability to cut.
  - Use a 1/32 inch (0.6 mm) depth gauge jointer and a flat file (tools not included) to lower the depth gauge to the correct clearance (Fig. 36).
  - After lowering the depth gauge, use the flat file to restore the original rounded shape to the depth gauge (Fig. 37). Take care not to damage the cutting edges or nearby links.

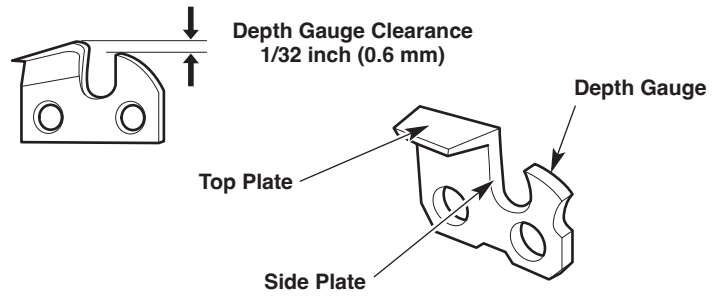


Fig. 33

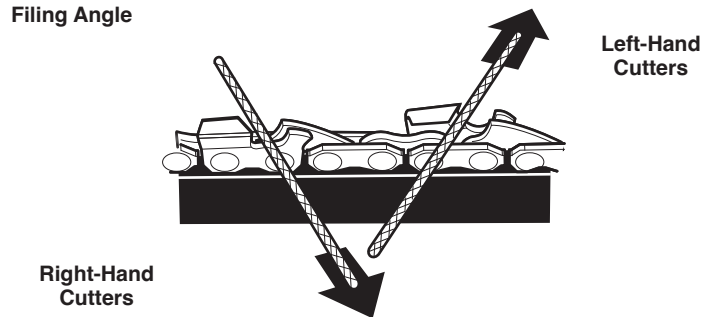


Fig. 34

### Correct Filing Angles

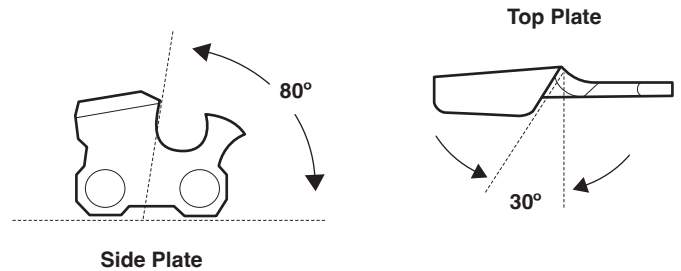


Fig. 35

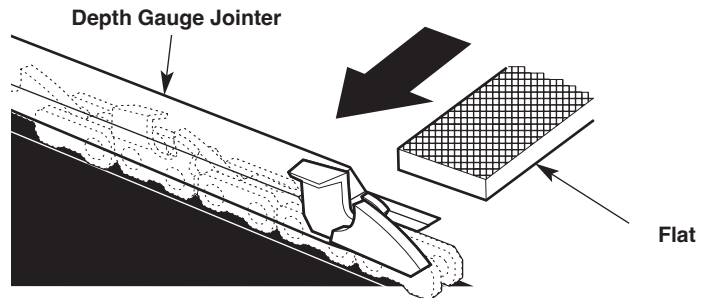


Fig. 36

Restore original rounded shape

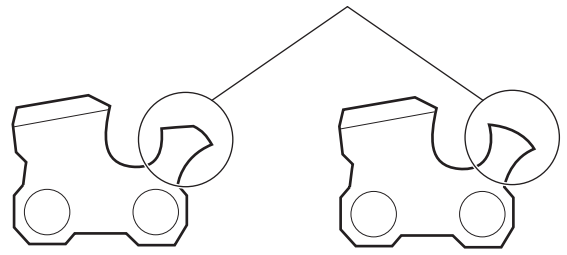


Fig. 37

## MAINTAINING THE GUIDE BAR

1. Rotate the guide bar frequently, at regular intervals (for example, after every 5 hours of operation), to ensure even wear on the top and bottom of the guide bar. Refer to *Removing and Installing the Guide Bar and Saw Chain*.
2. Clean the guide bar groove and oil passages whenever the saw chain is removed, when the unit has been used heavily or when the saw chain appears dirty. Use a screwdriver, putty knife, wire brush or similar instrument to remove debris from the guide bar groove (Fig. 38). Use a small, soft wire to remove any debris from the chain oil discharge hole (Fig. 39).

**NOTE:** If the oil passages are clear, the saw chain will give off a spray of oil shortly after it begins to rotate during operation.

3. Frequently check the guide bar for damage (Fig. 40). Feathering and burring of the guide bar rails (the ridges on either side of the bar groove) is a normal process of guide bar wear. Such faults should be smoothed with a file as soon as they occur (Fig. 40). A guide bar with the following faults should be replaced:
  - Wear inside the guide bar rails that permits the chain to lay sideways
  - Bent guide bar
  - Cracked or broken rails
  - Spread rails

Refer to *Replacing the Guide Bar and Saw Chain*.

## Lubricating the Guide Bar Sprocket Tip

The guide bar sprocket tip was lubricated at the factory, but requires regular lubrication. Failure to lubricate the guide bar sprocket tip will result in poor performance, damage to the unit and will VOID the warranty.

**NOTE:** This procedure can be performed while the guide bar and saw chain are still assembled on the unit.

1. Clean the guide bar sprocket tip thoroughly with a damp cloth (Fig. 41).
2. Use a guide bar tip lube gun (not included) to inject grease into the lubrication hole (Fig. 41). Inject grease until it appears on the outer edge of the guide bar sprocket tip.
3. Rotate the saw chain by hand. Always wear heavy-duty protective gloves. Make sure the chain brake is disengaged.
4. Repeat the lubrication process until the entire guide bar sprocket tip is lubricated.

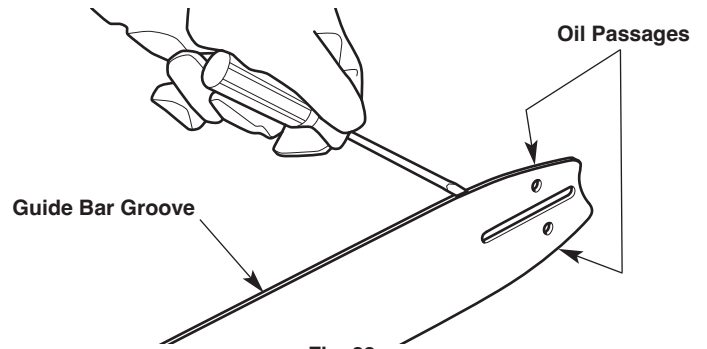


Fig. 38

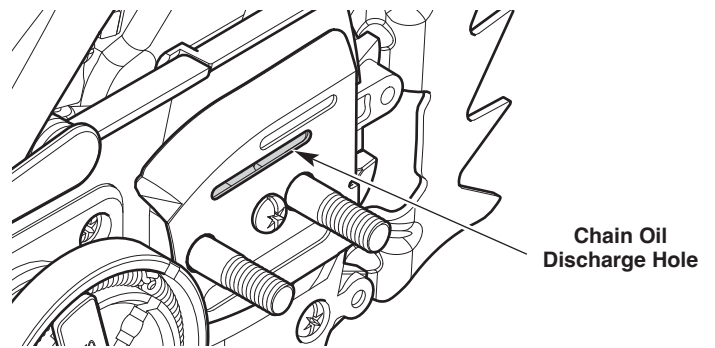


Fig. 39

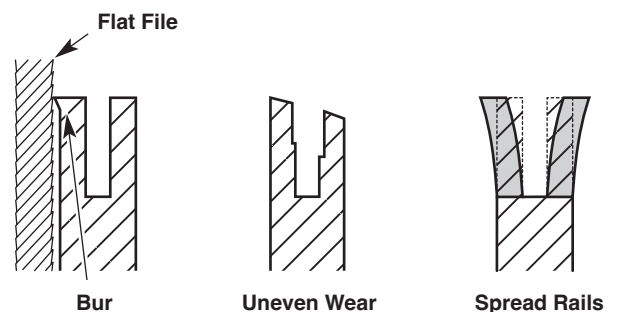


Fig. 40

## REPLACING THE GUIDE BAR AND SAW CHAIN



**WARNING:** Always use a low-kickback saw chain, which significantly reduces the danger of kickback. Low-kickback saw chain does not completely eliminate kickback. A low-kickback or “safety chain,” should never be regarded as total protection against injury.

When replacing the guide bar and saw chain, only use the replacement parts specified by the manufacturer or their equivalents. Refer to *Replacement Parts*. Use of any unauthorized parts or accessories could lead to serious injury to the operator or damage to the unit and will VOID the warranty.

Always use a replacement saw chain designated as “low-kickback” or a saw chain that meets the low-kickback performance requirements. A standard saw chain (a chain that does not have the kickback-reducing guard links) should only be used by an experienced professional chain saw operator.

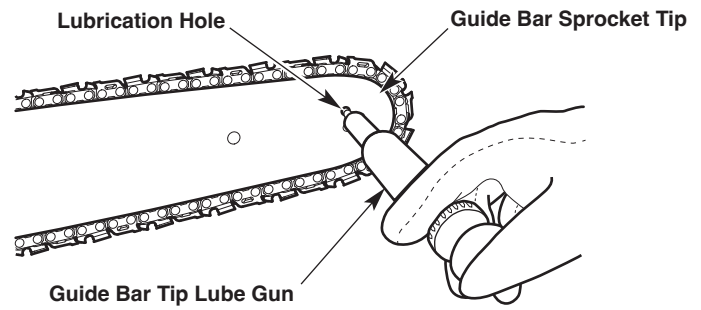


Fig. 41

## MAINTAINING THE AIR FILTER



**WARNING:** To avoid serious personal injury, always stop the engine and allow it to cool before cleaning or maintaining the unit.

Failure to maintain the air filter can result in poor performance or can cause permanent damage to the engine. Engine failure due to improper air filter maintenance is not covered by the product warranty.

### Cleaning the Air Filter

1. Turn the knob on the air filter cover counterclockwise to loosen the air filter cover (Fig. 42).
2. Remove the air filter cover (Fig. 42).
3. Remove the air filter (Fig. 43).
4. Wash the air filter in mild detergent and water. Rinse the air filter thoroughly and allow it to dry.
5. Reinstall the air filter onto the mounting post (Fig. 43). Make sure the opening in the air filter sits securely in the air intake (Fig. 43).

**NOTE:** Operating the unit without the air filter and air filter cover will VOID the warranty. Keep a supply of spare air filters.

6. Place the air filter cover back onto the unit. Insert the two tabs on the air filter cover into the two slots on the chain saw housing (Fig. 42).
7. Turn the knob clockwise to tighten the air filter cover securely.

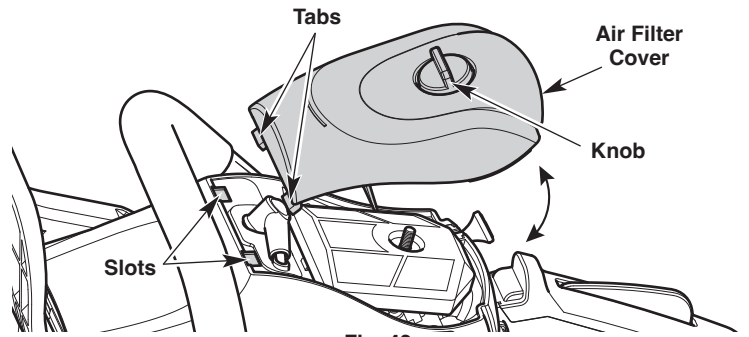


Fig. 42

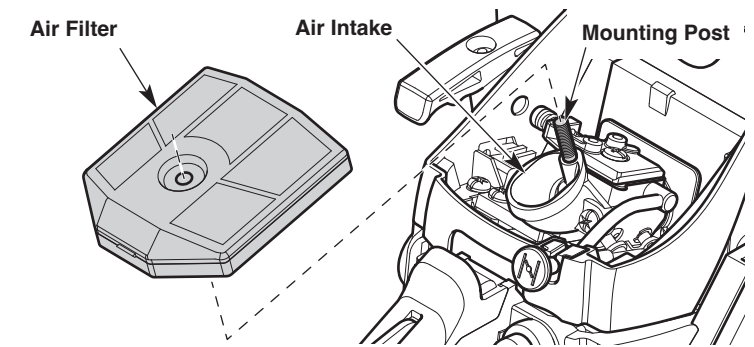


Fig. 43

## ADJUSTING THE IDLE SPEED



**WARNING:** The saw chain may spin during idle speed adjustments. Wear protective clothing and observe all safety instructions to prevent serious personal injury.

If the engine will not idle properly:

1. Start the engine. Refer to *Starting and Stopping*.
2. Release the throttle control and let the engine idle.
  - If the engine stops, increase the idle speed. Use a small Phillips screwdriver to turn the idle speed screw clockwise, 1/8 of a turn at a time, until the engine idles smoothly (Fig. 44).
  - If the saw chain spins when the engine idles, reduce the idle speed. Turn the idle speed screw counterclockwise, 1/8 of a turn at a time, until the saw chain stops moving (Fig. 44).

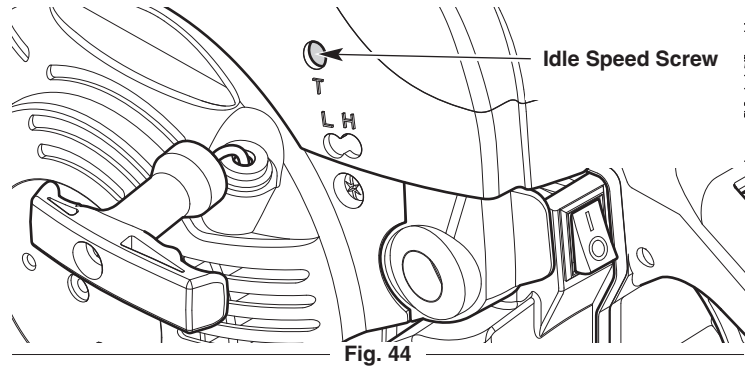


Fig. 44

## MAINTAINING THE SPARK PLUG

1. Stop the engine and allow it to cool.
2. Turn the knob on the air filter cover counterclockwise to loosen the air filter cover (Fig. 42).
3. Remove the air filter cover (Fig. 42).
4. Grasp the spark plug boot firmly and pull it from the spark plug (Fig. 45).
5. Clean around the spark plug. Remove the spark plug from the cylinder head with the srench or a 5/8-inch socket wrench, turning counterclockwise.



**WARNING:** Do not sand blast, scrape or clean spark plug electrodes. Grit in the engine could damage the cylinder.

6. Inspect the spark plug. If the spark plug is cracked, fouled or dirty, replace it with replacement part #794-00204, a **Torch CMR7H** or an equivalent spark plug.
7. Use a feeler gauge to set the air gap at **0.025 in. (0.635 mm)** (Fig. 46).
8. Install the spark plug in the cylinder head. Tighten the spark plug with the srench or a 5/8-inch socket wrench, turning it clockwise until snug.

**NOTE:** If using a torque wrench, torque to:

**110-120 in.·lb. (12.3-13.5 N·m). Do not over tighten.**

9. Reattach the spark plug boot.
10. Place the air filter cover back onto the unit. Insert the two tabs on the air filter cover into the two slots on the chain saw housing (Fig. 42).
11. Turn the knob clockwise to tighten the air filter cover securely.

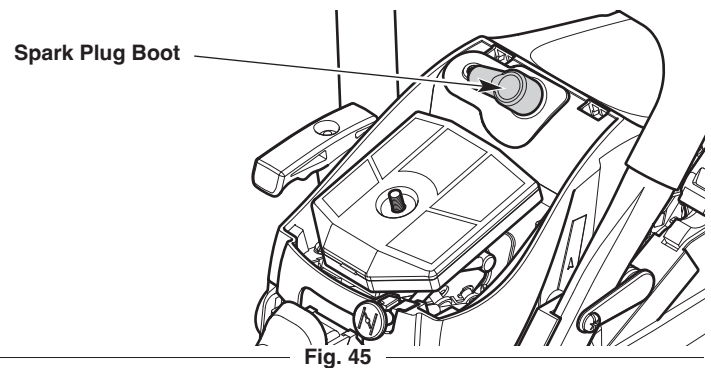


Fig. 45

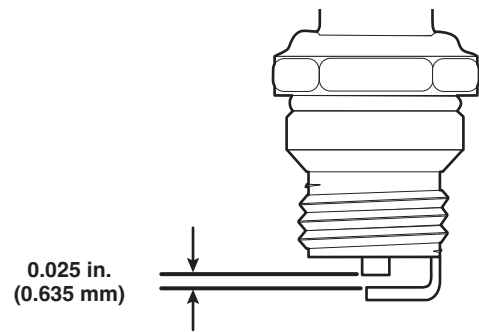


Fig. 46

## CLEANING AND STORAGE

### CLEANING



**WARNING:** To avoid serious personal injury, always stop the engine and allow it to cool before cleaning or maintaining the unit.

1. Loosen the saw chain if the chain tension was adjusted during operation. The saw chain will contract as the unit cools, which could damage the unit if the chain is too tight.
2. Clean the unit with a damp cloth. Do not douse the unit with water. Do not use strong detergents. Household cleaners that contain aromatic oils such as pine and lemon, and solvents such as kerosene, can damage plastic.

**NOTE:** When preparing the unit for long-term storage (30 days or more), remove the guide bar and saw chain. Carefully clean the guide bar cover, guide bar mounting surface and sprocket. Use a firm non-wire brush to clean the guide bar groove. Reassemble the unit.

3. Wipe off any moisture with a soft cloth.
4. Use compressed air, up to 40 PSI, to blow debris from the cylinder fins (Fig. 47). The cylinder fins must be cleaned on a regular basis to reduce the risk of personal injury or damage to the unit as a result of fire. Always use safety goggles/glasses when using compressed air. Do not use water or other liquids to clean the cylinder fins. Use a small wire brush to remove stubborn debris. If a significant amount of debris remains, have the unit cleaned by an authorized service dealer.
5. Lightly coat the guide bar and saw chain with a corrosion-inhibiting oil.

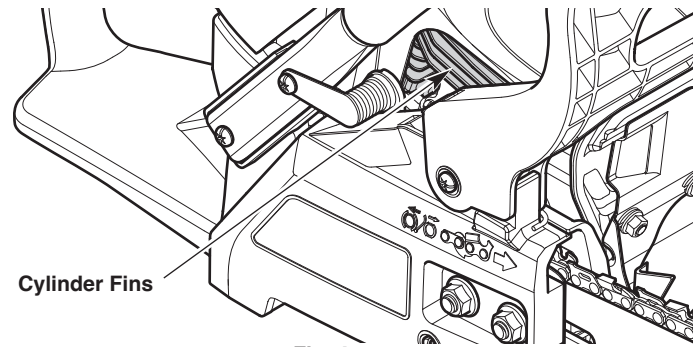


Fig. 47

### STORAGE

- Loosen the saw chain if the chain tension was adjusted during operation. The saw chain will contract as the unit cools, which could damage the unit if the chain is too tight.
- Allow the engine to cool before storing.
- Thoroughly clean the unit and inspect it for any loose or damaged parts. Repair or replace damaged parts and tighten loose screws, nuts or bolts.
- Cover the guide bar and saw chain with the scabbard.
- Never store a fueled unit where fumes may reach an open flame or spark.
- Lock up the unit to prevent unauthorized use or damage.
- Store the unit in a dry, well-ventilated area.
- Store the unit out of the reach of children.

**NOTE:** It is normal for bar and chain oil to seep from the unit when not in use. Please take this into consideration when storing the unit.

#### Long-term Storage (30 days or more)

1. Remove the fuel cap, tip the unit and drain the fuel into an approved container. Reinstall the fuel cap.
2. Start the engine and allow it to run until it stalls. This ensures that all fuel has been drained from the carburetor.
3. Allow the engine to cool. Remove the spark plug and put 5 drops of any high-quality motor oil or 2-cycle oil into the cylinder. Pull the starter rope slowly to distribute the oil. Reinstall the spark plug.

#### Preparing the Unit for Use after Long-term Storage

1. Remove the spark plug. Tip the unit and drain all of the oil from the cylinder into an approved container. Reinstall the spark plug.

**NOTE:** Do not use fuel that has been stored for more than 30 days. Dispose of old fuel and oil according to federal, state and local regulations.

## TROUBLESHOOTING

PROBLEM	SOLUTION
<b>THE ENGINE WILL NOT START</b>	
The fuel tank is empty	Fill the fuel tank with properly-mixed fuel
The primer bulb was not pressed enough	Press the primer bulb 10 times or until fuel is visible
The engine is flooded	Move the choke knob to Position 2, press the throttle lockout, squeeze the throttle control and pull the starter rope
The fuel is old (over 30 days) and/or improperly mixed	Drain the fuel tank and add fresh, properly-mixed fuel
The spark plug is not working properly	Refer to <i>Maintaining the Spark Plug</i>
The On/Off switch is in the Off ( O ) position	Move the On/Off switch to the On ( I ) position
<b>THE ENGINE WILL NOT IDLE</b>	
The air filter is dirty	Clean or replace the air filter
The fuel is old (over 30 days) and/or improperly mixed	Drain the fuel tank and add fresh, properly-mixed fuel
The idle speed is incorrect	Adjust the idle speed
<b>THE ENGINE WILL NOT ACCELERATE</b>	
The fuel is old (over 30 days) and/or improperly mixed	Drain the fuel tank and add fresh, properly-mixed fuel
The air filter is dirty	Clean or replace the air filter
<b>THE ENGINE LACKS POWER OR STALLS</b>	
The fuel is old (over 30 days) and/or improperly mixed	Drain the fuel tank and add fresh, properly-mixed fuel
The air filter is dirty	Clean or replace the air filter
The spark plug is not working properly	Refer to <i>Maintaining the Spark Plug</i>
<b>THE SAW CHAIN COMES OFF THE GUIDE BAR</b>	
The saw chain tension is too loose	Adjust the saw chain tension
The guide bar and saw chain are assembled incorrectly	Refer to <i>Removing and Installing the Guide Bar and Saw Chain</i>
<b>THE GUIDE BAR AND SAW CHAIN ARE RUNNING HOT, SMOKING OR STUCK</b>	
The saw chain tension is too tight	Adjust the saw chain tension
The chain oil reservoir is empty	Refill the chain oil reservoir
The guide bar groove and oil passages are dirty	Clean the guide bar and oil passages
The automatic oiler flow is too low	Increase the oil flow
<b>THE SAW CHAIN DOES NOT ROTATE</b>	
The saw chain tension is too tight	Adjust the saw chain tension
The guide bar and saw chain are assembled incorrectly	Refer to <i>Removing and Installing the Guide Bar and Saw Chain</i>
The guide bar and saw chain are damaged	Inspect the guide bar and saw chain for damage. Replace them if necessary
The drive assembly is damaged	Refer to <i>Service</i> information
The chain brake is engaged	Disengage the chain brake
<b>THE SAW CHAIN ROTATES, BUT DOES NOT CUT</b>	
The saw chain is dull	Sharpen or replace the saw chain
The saw chain is on backwards	Check and correct the saw chain direction

**If further assistance is required, contact an authorized service center.**

# WARRANTY

## MANUFACTURER'S LIMITED WARRANTY FOR:



The limited warranty set forth below is given by Troy-Bilt LLC (Troy-Bilt) with respect to new merchandise purchased and used in the United States, its possessions and territories.

Troy-Bilt warrants this product against defects in material and workmanship for a period of two (2) years commencing on the date of original purchase and will, at its option, repair or replace, free of charge, any part found to be defective in material or workmanship. This limited warranty shall only apply if this product has been operated and maintained in accordance with the Operator's Manual furnished with the product, and has not been subject to misuse, abuse, commercial use, neglect, accident, improper maintenance, alteration, vandalism, theft, fire, water or damage because of other peril or natural disaster. Damage resulting from the installation or use of any accessory or attachment not approved by Troy-Bilt for use with the product(s) covered by this manual will void your warranty as to any resulting damage. This warranty is limited to ninety (90) days from the date of original retail purchase for any Troy-Bilt product that is used for rental or commercial purposes, or any other income-producing purpose.

**HOW TO OBTAIN SERVICE:** Warranty service is available, WITH PROOF OF PURCHASE THROUGH YOUR LOCAL AUTHORIZED SERVICE DEALER. To locate the dealer in your area, visit our website at [www.troybilt.com](http://www.troybilt.com) or [www.troybilt.ca](http://www.troybilt.ca), check for a listing in the Yellow Pages, call **1-800-828-5500** or **1-800-668-1238** in Canada, or write to P.O. Box 361131, Cleveland, OH 44136-0019. No product returned directly to the factory will be accepted unless prior written permission has been extended by the Customer Service Department of Troy-Bilt.

**This limited warranty does not provide coverage in the following cases:**

- A. Tune-ups - Spark Plugs, Carburetor Adjustments, Filters
- B. Wear items - Bump Knobs, Outer Spools, Cutting Line, Inner Reels, Starter Pulley, Starter Ropes, Drive Belts, Saw Chains, Guide Bars, Cultivator Tines, Blades.
- C. Troy-Bilt does not extend any warranty for products sold or exported outside of the United States of America, its possessions and territories, except those sold through Troy-Bilt's authorized channels of export distribution.

Troy-Bilt reserves the right to change or improve the design of any Troy-Bilt Product without assuming any obligation to modify any product previously manufactured.

**No implied warranty, including any implied warranty of merchantability or fitness for a particular purpose, applies after the applicable period of express written warranty above as to the parts as identified. No other express warranty or guaranty, whether written or oral, except as mentioned above, given by any person or entity, including a dealer or retailer, with respect to any product shall bind Troy-Bilt. During the period of the Warranty, the exclusive remedy is repair or replacement of the product as set forth above.** (Some states do not allow limitations on how long an implied warranty lasts, so the above limitation may not apply to you.)

**The provisions as set forth in this Warranty provide the sole and exclusive remedy arising from the sales. Troy-Bilt shall not be liable for incidental or consequential loss or damages including, without limitation, expenses incurred for substitute or replacement lawn care services, for transportation or for related expenses, or for rental expenses to temporarily replace a warranted product.** (Some states do not allow limitations on how long an implied warranty lasts, so the above limitation may not apply to you.)

In no event shall recovery of any kind be greater than the amount of the purchase price of the product sold. Alteration of the safety features of the product shall void this Warranty. You assume the risk and liability for loss, damage, or injury to you and your property and/or to others and their property arising out of the use or misuse or inability to use the product.

This limited warranty shall not extend to anyone other than the original purchaser, original lessee or the person for whom it was purchased as a gift.

**How State Law Relates to this Warranty:** This warranty gives you specific legal rights, and you may also have other rights which vary from state to state.

To locate your nearest service dealer, dial **1-800-828-5500** in the United States or **1-800-668-1238** in Canada.

**TROY-BILT LLC**

P.O. Box 361131

Cleveland, OH 44136-0019



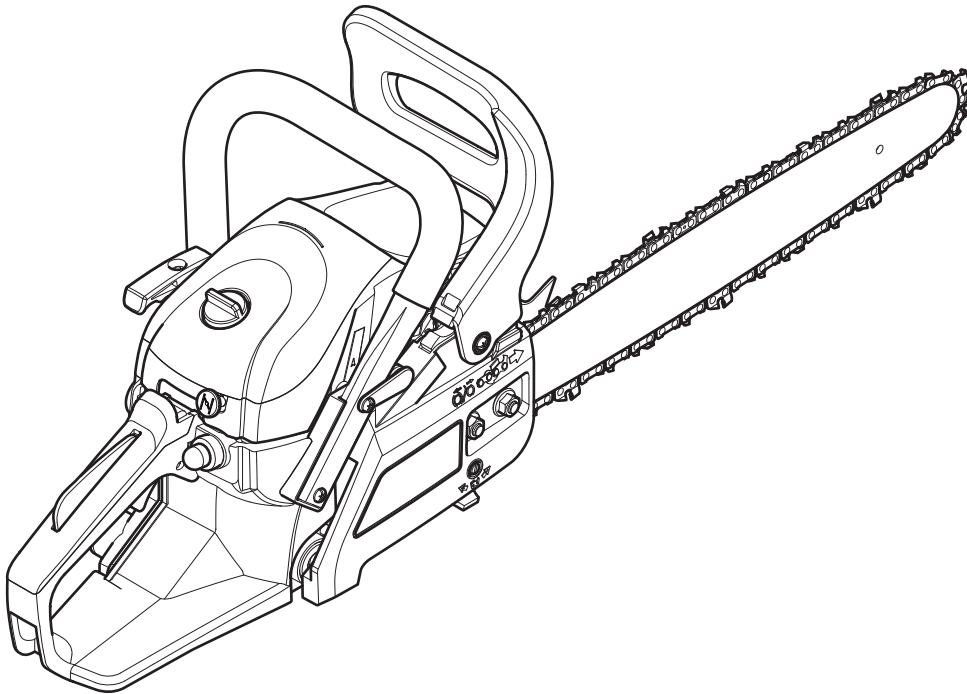


# Manuel de l'utilisateur

TRADUCTION DES INSTRUCTIONS D'ORIGINE

## TB4214 / TB4216 / TB4218

Tronçonneuse à 2 temps



### CONSERVEZ CES INSTRUCTIONS

**IMPORTANT :** Lisez attentivement ce manuel avant d'utiliser ce produit. Respectez toutes les instructions.

## TABLE DES MATIÈRES

Service .....	32
Sécurité .....	32
Familiarisez-vous avec votre appareil .....	38
Modalités et définitions essentielles .....	39
Spécifications .....	40
Assemblage .....	41
Huile et carburant .....	42
Démarrage et arrêt .....	43
Utilisation .....	45
Entretien .....	51
Nettoyage et entreposage .....	59
Résolution des problèmes .....	60
Garantie .....	62

Toutes les informations, illustrations et spécifications contenues dans ce manuel tiennent compte des dernières informations techniques disponibles au moment de mettre sous presse. Nous nous réservons le droit d'y apporter des modifications à tout moment, sans préavis.

Le produit peut varier légèrement par rapport aux illustrations du présent manuel.

Copyright © 2024 MTD SOUTHWEST INC., Tous droits réservés.

**REMARQUE :** Ce manuel de l'opérateur couvre plusieurs modèles. Les fonctionnalités peuvent varier selon le modèle. Les fonctionnalités figurant dans ce manuel ne sont pas toutes applicables à tous les modèles. Le modèle présenté peut différer du vôtre.

## SERVICE

**NE RAMENEZ PAS CET APPAREIL CHEZ LE DÉTAILLANT. UNE PREUVE D'ACHAT SERA EXIGÉE POUR TOUTE PRISE EN CHARGE DANS LE CADRE DE LA GARANTIE.**

Pour obtenir de l'aide sur l'assemblage, le fonctionnement ou la maintenance de l'appareil, veuillez composer le **1-800-828-5500** (aux États-Unis) ou le **1-800-668-1238** (au Canada). Des renseignements supplémentaires peuvent être trouvés sur le site **www.troybilt.com** (aux États-Unis) ou **www.troybilt.ca** (au Canada).

Le service de garantie est disponible par l'intermédiaire d'un atelier de réparations agréé. Pour trouver un atelier de réparations dans votre région, veuillez consulter notre site Web ou composer le numéro indiqué ci-dessus. La réparation de cet appareil, à la fois pendant et après la période de garantie, ne doit être effectuée que par un atelier de réparation agréé approuvé. Utilisez uniquement des pièces de rechange identiques.

Visitez **www.troybilt.com** (É.-U.) ou **www.troybilt.ca** (Canada) pour enregistrer votre produit et pour obtenir plus d'informations sur les pièces, les manuels et la garantie.

## SÉCURITÉ

Les symboles de sécurité visent à attirer votre attention sur les dangers éventuels. Vous devez accorder une attention particulière aux symboles de sécurité afin de bien les comprendre. Les avertissements de sécurité n'éliminent pas les dangers en eux-mêmes. Les instructions ou mises en garde ne remplacent en rien les mesures de prévention appropriées contre les accidents.

### SYMBOLE SIGNIFICATION

 **DANGER :** indique un danger **EXTRÊME**.  
Le non-respect d'un symbole de **DANGER** sur le plan de la sécurité **ENTRAÎNERA** des blessures graves, voire la mort pour vous ou pour autrui.

 **AVERTISSEMENT :** indique un danger **GRAVE**.  
Le non-respect d'un symbole d'**AVERTISSEMENT** sur le plan de la sécurité **PEUT** entraîner des blessures graves pour vous ou pour autrui.

 **ATTENTION :** indique un danger **MODÉRÉ**.  
Le non-respect d'un symbole de **ATTENTION** sur le plan de la sécurité **PEUT** entraîner des dommages matériels ou des blessures pour vous ou pour autrui.

### NOTE SUR LE PARE-ÉTINCELLES

**REMARQUE :** à l'intention des utilisateurs sur les terrains forestiers américains et dans les États de Californie, du Maine, de l'Oregon et de Washington. Tous les services des forêts américains et les États de Californie (codes des ressources publiques 4442 et 4443), de l'Oregon et de Washington exigent, au titre de la loi, que certains moteurs à combustion interne utilisés dans les broussailles de forêt et/ou les zones recouvertes d'herbe soient équipés d'un pare-étincelles, soient maintenus en bon état de marche, ou soient construits, équipés et entretenus en vue d'éviter tout risque d'incendie. Veuillez contacter les autorités nationales ou locales pour connaître les réglementations à cet égard. Le non-respect de ces exigences pourrait impliquer votre responsabilité ou entraîner une amende. **Cet appareil est équipé en usine d'un pare-étincelles.** Si un remplacement est nécessaire, communiquez avec votre distributeur local pour l'installation du silencieux approprié.

**Veillez lire le manuel de l'opérateur et respecter tous les avertissements et consignes de sécurité. Dans le cas contraire, l'opérateur et/ou les passants peuvent subir des blessures graves.**

**REMARQUE :** vous donne des informations ou des consignes essentielles pour l'utilisation ou l'entretien de l'équipement.

# • CONSIGNES DE SÉCURITÉ IMPORTANTES •

## VEUILLEZ LIRE TOUTES LES INSTRUCTIONS AVANT

	<b>AVERTISSEMENT :</b> Lorsque vous utilisez l'appareil, toutes les consignes de sécurité doivent être respectées. Veuillez lire ces consignes avant d'utiliser l'appareil pour assurer la sécurité de l'opérateur et de tous les passants. Veuillez conserver ces instructions pour référence ultérieure.
----------------------------------------------------------------------------------	------------------------------------------------------------------------------------------------------------------------------------------------------------------------------------------------------------------------------------------------------------------------------------------------------------

- Veuillez lire soigneusement ces instructions. Familiarisez-vous avec les commandes et l'utilisation correcte de l'appareil. Sachez comment arrêter l'appareil et désengager rapidement les commandes.
- Demeurer attentif. Ne faites pas fonctionner cet appareil lorsque vous êtes fatigué, malade ou sous l'influence d'alcool, de drogues ou de médicaments.
- Ne laissez jamais les enfants utiliser l'appareil. Ne laissez jamais des adultes faire fonctionner l'appareil sans instruction appropriée.
- Tous les carters et dispositifs de sécurité doivent être correctement installés avant l'utilisation de cet appareil.
- Inspectez l'appareil avant l'utilisation. Vérifier si des pièces sont endommagées. Détectez les fuites de carburant éventuelles. S'assurer que toutes les pièces fonctionnent correctement. Assurez-vous que toutes les fixations sont en place et bien serrées. S'assurer que toutes les pièces mobiles sont correctement alignées et ne sont pas liées. Remplacez les pièces fissurées, ébréchées ou endommagées d'une manière ou d'une autre. Faire réparer ou remplacer toutes les pièces endommagées fonctionnant mal par un atelier de réparation autorisé. N'utilisez pas l'appareil quand des pièces sont desserrées ou endommagées.
- Vous devez être conscient des risques de blessures à la tête, aux mains et aux pieds.
- Inspectez attentivement la zone de travail avant de démarrer l'appareil. Retirez les pierres, le verre cassé, les clous, les fils, les ficelles et autres objets qui peuvent être projetés ou s'enrouler dans l'appareil.
- Éloignez les enfants, les passants et les animaux domestiques ; ils doivent rester dans un rayon d'au moins 15 mètres (50 pieds). Même à cette distance, il existe néanmoins un risque de projectiles pour les personnes à proximité. Encouragez-les à porter des lunettes de sécurité. Si quelqu'un s'approche de vous, arrêtez immédiatement l'appareil.
- Appuyez sur la manette des gaz et vérifiez qu'elle revient automatiquement à la position de ralenti. Effectuez tous les réglages ou réparations avant d'utiliser l'appareil.
- Cet appareil est uniquement destiné à un usage domestique occasionnel.

## AVERTISSEMENTS DE SÉCURITÉ POUR LES APPAREILS À GAZ

	<b>AVERTISSEMENT :</b> Faites preuve de prudence en manipulant du carburant. L'essence est extrêmement inflammable et ses vapeurs peuvent exploser en présence d'une source d'inflammation. Prenez les précautions suivantes :
-----------------------------------------------------------------------------------	--------------------------------------------------------------------------------------------------------------------------------------------------------------------------------------------------------------------------------

- Stockez le carburant uniquement dans des récipients spécifiquement conçus à cet usage et approuvés pour le stockage de telles substances.
- Arrêtez toujours le moteur et laissez-le refroidir avant de remplir le réservoir d'essence. N'enlevez jamais le bouchon du réservoir de carburant ou ne remplissez jamais ce dernier quand le moteur est chaud. Dévissez toujours lentement le bouchon du réservoir de carburant afin de relâcher toute pression présente avant de le remplir.
- Mélangez et ajoutez toujours le carburant dans une zone extérieure propre et bien aérée, en l'absence totale d'étincelles ou de flammes. NE fumez PAS.
- N'utilisez jamais l'appareil quand le bouchon du réservoir de carburant n'est pas correctement vissé.
- Évitez de créer une source d'inflammation en présence d'un déversement de carburant. Essayez immédiatement tout carburant échappé du réservoir avant de démarrer l'appareil. Éloignez l'appareil à 9,1 mètres (30 pieds) au moins de la source de ravitaillement et du site avant de démarrer le moteur. NE fumez PAS.
- Ne démarrez jamais ou n'utilisez jamais l'appareil à l'intérieur d'un espace ou d'un bâtiment clos. L'inhalation des fumées d'échappement peut tuer. Utilisez cet appareil uniquement dans une zone extérieure bien aérée.

## PENDANT L'UTILISATION

- Portez des lunettes de sécurité conformes aux normes ANSI / ISEA Z87.1 en vigueur et marquées comme telles. Portez une protection auditive pendant l'utilisation de cet appareil. Portez un écran facial ou un masque antipoussières si la tâche est poussiéreuse. Utilisez un casque protecteur ou tout autre type de casque de sécurité.
- Portez des chaussures de sécurité et gants de protection. Portez des vêtements épais, bien ajustés, y compris un long pantalon et une chemise à manches longues. Ne portez pas des vêtements amples, des bijoux, un pantalon court, des sandales et ne travaillez pas pieds nus. Attachez vos cheveux au-dessus des épaules.
- Assurez-vous que l'accessoire n'est pas en contact avec quoi que ce soit avant de démarrer l'appareil.
- Utilisez l'appareil uniquement en plein jour ou avec un bon éclairage artificiel.
- Évitez tout démarrage accidentel. Placez-vous dans la position de démarrage dès que vous tirez sur le câble de démarreur. L'opérateur et l'appareil doivent être dans une position stable pendant le démarrage. Consultez les sections *Mise en marche et Arrêt*.
- Utilisez le bon outil. N'utilisez cet outil que pour son usage prévu : couper du bois. N'utilisez pas l'appareil pour couper du plastique, de la maçonnerie ou d'autres matériaux de construction autres que le bois. N'utilisez l'appareil que de la façon décrite dans ce manuel.

- Garder les cheveux, le visage, les mains, les pieds et toutes les autres parties du corps à l'écart de la chaîne de la scie lorsque l'appareil est en marche. Ne touchez pas ou n'essayez pas d'arrêter des pièces en mouvement.
- Ne touchez pas au moteur ni au silencieux. Ces composants deviennent extrêmement chauds pendant l'utilisation, même après l'arrêt de l'appareil.
- N'utilisez pas l'appareil à une vitesse supérieure à celle nécessaire pour réaliser le travail. Ne faites pas fonctionner l'appareil à haute vitesse quand vous ne l'utilisez pas.
- Ne forcez pas l'appareil, surtout vers la fin de la coupe. Il sera plus efficace et plus sûr si vous l'utilisez à la vitesse pour laquelle il a été conçu.
- Éteignez toujours l'appareil lorsque le fonctionnement est retardé ou lorsque vous transportez l'appareil d'un endroit à un autre. Assurez-vous que toutes les pièces mobiles sont complètement arrêtées.
- Avant de déposer l'outil, assurez-vous toujours que le moteur est éteint et que toutes les pièces mobiles se sont immobilisées.
- Arrêtez le moteur et débranchez la bougie pour les tâches d'entretien ou les réparations.
- Portez l'appareil par la poignée avant, avec le pot d'échappement positionné à l'écart du corps et la barre de guidage placée à l'arrière. En transportant l'appareil, couvrez le guide et la chaîne avec le fourreau.
- Si l'appareil frappe un objet étranger ou s'y enchevêtre, arrêtez-le immédiatement. Vérifier la présence de dommages. S'il est endommagé, ne redémarrez pas ni n'utilisez l'appareil jusqu'à ce qu'il soit réparé. N'utilisez pas l'appareil quand des pièces sont desserrées ou endommagées.
- Utilisez uniquement des pièces et des accessoires de rechange du fabricant d'origine pour cet appareil. Ils sont disponibles auprès de votre centre de réparation agréé. L'utilisation d'autres pièces ou accessoires pourrait entraîner de graves blessures de l'utilisateur ou endommager l'appareil, et annuler la garantie.
- L'appareil doit rester propre. Retirez avec précaution la végétation et autres débris qui pourraient bloquer les pièces mobiles.
- Pour réduire les risques d'incendie, remplacez un pot d'échappement et un pare-étincelles défectueux. Nettoyez l'herbe, les feuilles, les couches de graisse excessives ou les dépôts de carbone présents sur le moteur et le pot d'échappement.
- Si l'appareil commence à vibrer de façon anormale, arrêtez-le immédiatement. Inspectez l'appareil pour découvrir l'origine des vibrations. Les vibrations indiquent en général un problème.
- Gardez la zone de travail propre. Les endroits encombrés favorisent les accidents. Ne commencez pas à couper avant que la zone de travail soit dégagée et libre de tout obstacle. Assurez-vous d'avoir une position stable et qu'une voie de retraite soit prévue en raison de chutes de branches.
- Ne coupez pas à proximité de câbles électriques ou de lignes à haute tension. Demeurez à au moins 15 m (50 pi) de toutes les lignes électriques.
- Pour un rendement plus sûr et plus efficace, assurez-vous que la tige de guidage et la chaîne sont correctement nettoyées, lubrifiées, serrées et aiguisées. Vérifiez fréquemment que le réglage de la tige de guidage et de la chaîne est correct.
- Lorsque vous coupez une branche sous tension, soyez très prudent. Lorsque la tension est relâchée, la branche pourrait rebondir et frapper l'opérateur, causant des blessures graves voire la mort.
- Faites preuve de prudence lors de la coupe de broussailles et arbrisseaux de petite taille, puisque les matériaux plus minces peuvent se prendre dans la chaîne et être projetés vers l'opérateur ou déséquilibrer l'opérateur.
- Cette scie est classée dans la Catégorie 1C par UL, et ce, conformément à la norme CSA Z62.1-03. Elle est destinée à une utilisation peu fréquente par les propriétaires, les propriétaires de chalets et campeurs, et pour des applications générales telles que l'éclaircissement, la taille et la coupe du bois de chauffage, etc. Elle n'est pas conçue pour une utilisation prolongée. Si l'utilisation prévue implique de longues périodes de fonctionnement, les vibrations pourraient causer des problèmes circulatoires dans les mains de l'utilisateur.
- Ne retirez, modifiez ou rendez jamais inopérant tout dispositif de sécurité fourni avec l'appareil.
- N'utilisez pas l'appareil en présence de liquides ou de gaz inflammables.
- Ne tentez pas d'effectuer des opérations dépassant les capacités ou l'expérience de l'opérateur.
- Ne faites pas fonctionner un appareil qui est endommagé, mal réglé ou non complètement et solidement assemblé. Assurez-vous que les pièces mobiles s'arrêtent lorsque l'appareil est éteint. N'utilisez pas l'appareil s'il ne s'allume ou ne s'éteint pas correctement. Les pièces défectueuses doivent être remplacées par un atelier spécialisé.

## SÉCURITÉ EN MATIÈRE DE REBOND

	<p><b>AVERTISSEMENT :</b> Le rebond peut se produire lorsque le nez ou l'extrémité de la tige de guidage touche un objet ou lorsque le bois se referme et pince la chaîne de la tronçonneuse dans la coupe. Dans certains cas, ce contact peut provoquer une ultrarapide action inverse, repoussant rapidement la tige de guidage vers l'opérateur. Le pincement de la chaîne le long du haut de la tige de guidage peut rapidement repousser la tige de guidage vers l'opérateur. Chacune de ces réactions peut causer une perte de contrôle de la scie, ce qui pourrait causer des blessures graves à l'utilisateur. Le contact avec des corps étrangers dans le bois peut également induire une perte de commande de la tronçonneuse.</p>
-----------------------------------------------------------------------------------	----------------------------------------------------------------------------------------------------------------------------------------------------------------------------------------------------------------------------------------------------------------------------------------------------------------------------------------------------------------------------------------------------------------------------------------------------------------------------------------------------------------------------------------------------------------------------------------------------------------------------------------------------------------------------------------------------------------------------------------------

### Comprendre le rebond

Une compréhension de base du rebond peut aider à réduire ou à éliminer l'élément de surprise et le risque de blessure y étant lié. Les surprises contribuent aux accidents.

- **Le rebond de rotation** peut se produire lorsque la pointe supérieure de la tige de guidage entre en contact avec un objet alors que la chaîne est en mouvement (Fig. A). Cela peut causer l'enfoncement de la chaîne dans l'objet et l'arrêter momentanément de bouger. La tige de guidage est ensuite soulevée et repoussée vers l'utilisateur en une réaction inverse ultrarapide.
- **Les rebonds linéaires** Un rebond peut se produire lorsque le bois de chaque côté d'une entaille se referme et pince la chaîne mobile le long de la partie supérieure du guide. (Fig. B). Cela peut causer l'arrêt instantané de la chaîne. La force de la chaîne est alors inversée, ce qui provoque le déplacement de la scie en sens inverse, envoyant la scie vers l'arrière, en direction de l'opérateur.
- **La rétraction** peut se produire lorsque la chaîne au fond de la tige de guidage frappe un corps étranger à l'intérieur du bois. Cela peut causer l'arrêt soudain de la chaîne. La scie est ensuite tirée vers l'avant et à l'écart de l'opérateur, ce qui pourrait entraîner la perte de contrôle de la scie.

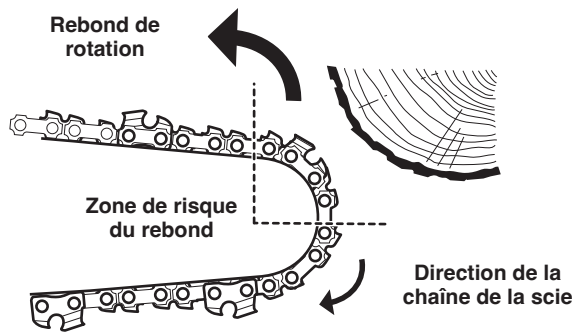


Fig. A

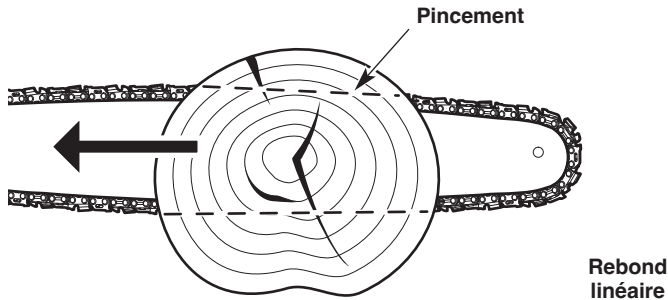


Fig. B

### Consignes de sécurité en matière de rebond

Prenez les mesures suivantes pour réduire le risque d'accident ou de blessure :

- Ne comptez pas exclusivement sur les dispositifs de sécurité intégrés à l'appareil.
- Ne coupez pas à une hauteur supérieure aux épaules.
- Ne vous penchez pas trop en avant. Conservez toujours une position stable et un bon équilibre. Montrez-vous très prudent quand vous travaillez sur des pentes raides. N'utilisez pas l'appareil dans un arbre ou sur une échelle à moins d'être spécifiquement formé pour le faire.
- Ne coupez pas avec la pointe du guide.
- Assurez-vous que la zone d'opération est libre de tout obstacle. Ne laissez pas la pointe de la tige de guidage entrer en contact avec un objet, comme une bûche, une branche du sol ou tout autre obstacle.
- Inspectez toujours le bois avant de le couper. Des corps étrangers pourraient endommager l'appareil ou provoquer des blessures graves. Ne coupez jamais les clous, les tiges métalliques, les traverses ou les palettes.
- N'actionnez pas l'appareil avec une seule main! Des blessures graves à l'opérateur, aux aides ou aux passants peuvent résulter de l'utilisation d'une seule main. Cet appareil est conçu pour une utilisation à deux mains. Saisissez toujours fermement l'appareil avec les deux mains lorsqu'il est en marche. Saisissez la poignée avant avec la main gauche et la poignée arrière avec la main droite. Encerclez fermement la poignée avec tous les doigts de la main. Ne laissez pas aller. Une prise ferme vous aidera à garder le contrôle de l'appareil et à réduire le risque de rebond.
- Tenez-vous légèrement à la gauche de l'appareil pour éviter d'être dans la ligne directe de la chaîne.
- Ne démarrez jamais la tronçonneuse lorsque la tige de guidage est à l'intérieur d'une entaille. Soyez extrêmement prudent lorsque vous réintégrez une coupe.

- Commencez toujours à couper alors que l'unité fonctionne à pleine vitesse. Appuyez fermement sur la manette des gaz et maintenez une vitesse de coupe constante. Les vitesses plus lentes augmentent le risque de rebond.
- Gardez le logement de la scie appuyé fermement contre le bois.
- Ne coupez pas plus d'une bûche ou d'une branche à la fois.
- Ne tournez pas l'appareil en retirant le guide-chaîne d'une coupe.
- Méfiez-vous des déplacements d'objets (bûches, branches, etc.) qui pourraient bloquer ou tomber sur la chaîne en cours de fonctionnement.
- N'utilisez que des cales en bois ou en plastique. N'utilisez pas de métal pour maintenir une entaille ouverte.
- Suivez les instructions du fabricant en matière d'affûtage et d'entretien de la chaîne de scie.
- N'utilisez que des barres et des chaînes spécifiées par le fabricant, ou l'équivalent. Elles sont disponibles auprès d'ateliers de réparations agréés. L'utilisation de pièces ou d'accessoires non autorisés peut entraîner des blessures sérieuses à l'opérateur ou endommager l'appareil et annuler la garantie.
- Utilisez des dispositifs qui permettent de réduire les risques associés à un rebond, comme des chaînes à faible rebond, des protège-nez de guide-chaîne, des freins de la chaîne et des guide-chaîne à faible rebond. Selon la norme CSA Z62.3, il n'existe aucune autre pièce de rechange pour assurer la protection d'un rebond.
- Une chaîne à faible tendance au rebond qui a satisfait aux conditions de fonctionnement de la norme ANSI/OPEI B175.1-2012 lorsqu'elle est testée selon les dispositions spécifiées dans la norme ANSI/OPEI B175.1-2012. Une scie à chaîne à faible rebond est une chaîne qui est également conforme à la norme CSA Z62.3. N'utilisez pas une chaîne de remplacement à moins qu'elle n'ait satisfait à ces exigences pour ce modèle en particulier ou qu'elle ait été désignée comme chaîne à faible tendance au rebond de remplacement conformément à la norme ANSI/OPEI B175.1-2012. Tandis que les chaînes de scie sont aiguisées, certaines des qualités de faible risque de rebond sont perdues et des précautions particulières doivent être prises.
- N'installez pas une barre en boucle sur cet appareil. Les barres en boucle ont de plus grandes zones de rebond, ce qui augmente le risque de rebond et de blessures graves. Cette augmentation n'est pas significativement réduite en utilisant une chaîne à faible tendance au rebond. L'utilisation d'une barre en boucle sur cet appareil est extrêmement dangereuse.

## AUTRES AVERTISSEMENTS DE SÉCURITÉ

- Maintenez l'unité avec soin. Suivez toutes les instructions d'entretien de ce manuel.
- N'effectuez pas de procédures de maintenance autres que celles décrites dans ce manuel. Toutes les réparations, autres que les procédures de maintenance décrites dans ce manuel, doivent être effectuées par un centre de réparations agréé.
- N'utilisez pas l'appareil s'il ne fonctionne pas correctement, s'il a été échappé, laissé à l'extérieur ou s'il est tombé dans l'eau. Faire réparer l'appareil par un centre de réparations agréé.
- Ne retirez, modifiez ou rendez jamais inopérant tout dispositif de sécurité fourni avec l'appareil.
- Avant une inspection, un entretien, un nettoyage, un entreposage, un transport ou le remplacement d'une pièce de l'appareil :
  1. Arrêtez l'appareil. Consultez les sections *Mise en marche et Arrêt*.
  2. Assurez-vous que toutes les pièces mobiles se sont arrêtées.
  3. Laissez l'appareil refroidir.
  4. Débranchez le fil de la bougie.
- Assurez-vous que l'appareil est sécurisé pour les transports.
- Pendant le transport et le stockage, utilisez toujours le fourreau sur la tige de guidage et la chaîne.
- Rangez toujours l'appareil et le carburant dans un endroit frais, sec et bien ventilé. Ne rangez pas le carburant, ou un appareil dont le réservoir est plein de carburant, à l'intérieur où les vapeurs peuvent atteindre des flammes (veilleuses, etc.) ou des étincelles (interrupteurs, moteurs électriques, etc.).
- Rangez l'appareil dans un endroit sec et sûr ou en hauteur pour éviter une utilisation non autorisée ou des dommages. Gardez toujours l'appareil hors de portée des enfants.
- Ne mouillez pas ou n'éclaboussez pas l'appareil avec de l'eau ou tout autre liquide. Gardez les poignées sèches, propres et exemptes de débris, d'huile, de carburant et de graisse. Nettoyez l'appareil après chaque utilisation. Consultez la section *Nettoyage et entreposage*. N'utilisez pas de solvants ou de détergents puissants.
- Conservez ces instructions. Consultez-les souvent et utilisez-les pour former d'autres utilisateurs. Si vous prêtez cet appareil à d'autres personnes, remettez-leur également ces instructions.

# CONSERVEZ CES INSTRUCTIONS

## • SYMBOLES DE SÉCURITÉ ET INTERNATIONAUX •

Le présent manuel de l'opérateur décrit les symboles et pictogrammes de sécurité et internationaux, susceptibles d'apparaître sur ce produit. Veuillez lire le manuel de l'opérateur pour connaître les informations complètes sur la sécurité, l'assemblage, l'utilisation, l'entretien et la réparation.

### SYMBOLE SIGNIFICATION

	<p>• <b>SYMBOLE D'ALERTE DE SÉCURITÉ</b></p> <p>Indique un danger, un avertissement ou une mise en garde. Peut être utilisé de concert avec d'autres symboles ou pictogrammes.</p>
	<p>• <b>LISEZ LE MANUEL DE L'UTILISATEUR</b></p> <p><b>AVERTISSEMENT :</b> Lisez le(s) manuel(s) de l'utilisateur et suivez toutes les consignes de sécurité et de prévention. Tout manquement peut entraîner des blessures graves pour l'utilisateur et/ou pour les personnes à proximité.</p>
	<p>• <b>PORTER UN CASQUE, DES LUNETTES ET DES PROTECTIONS AUDITIVES</b></p> <p><b>AVERTISSEMENT :</b> Les objets projetés et le bruit peuvent entraîner des lésions oculaires graves et des pertes auditives. Portez toujours des lunettes de sécurité conformes aux normes ANSI Z87.1 en vigueur et des protections auditives lorsque vous utilisez cet appareil. Portez un casque lors de l'utilisation de cet appareil, car la chute d'objets peut causer des blessures graves à la tête. Protégez-vous le visage avec un masque intégral au besoin.</p>
	<p>• <b>ESSENCE SANS PLOMB</b></p> <p>Utilisez toujours de l'essence sans plomb fraîche et propre.</p>
	<p>• <b>HUILE</b></p> <p>Consultez le manuel de l'utilisateur pour connaître le type d'huile à utiliser.</p>
	<p>• <b>N'UTILISEZ PAS D'ESSENCE E85 DANS CET APPAREIL</b></p> <p><b>AVERTISSEMENT :</b> Il a été prouvé que l'utilisation d'essence contenant plus de 10 % d'éthanol endommagera très certainement ce moteur et annulera la garantie.</p>

### SYMBOLE SIGNIFICATION

	<p>• <b>COMMANDE MARCHÉ/ARRÊT</b></p> <p>MARCHE / DÉMARRAGE / FONCTIONNEMENT</p>
	<p>• <b>COMMANDE MARCHÉ/ARRÊT</b></p> <p>ARRÊT ou STOP</p>
	<p>• <b>POIRE D'AMORÇAGE</b></p> <p>Appuyez sur la poire d'amorçage lentement et complètement, dix (10) fois.</p>
	<p>• <b>COMMANDE D'ÉTRANGLEUR</b></p> <ul style="list-style-type: none"> <li>• sorti - position d'étrangleur COMPLÈTE</li> <li>• enfoncé - position de MARCHE</li> </ul>
	<p>• <b>ÉLOIGNEZ LES PERSONNES SE TROUVANT À PROXIMITÉ</b></p> <p><b>AVERTISSEMENT :</b> Faites reculer les personnes se trouvant à proximité, en particulier les enfants et les animaux domestiques, d'au moins 15 m (50 pieds) de la zone de travail.</p>
	<p>• <b>UTILISEZ LES DEUX MAINS</b></p> <p><b>AVERTISSEMENT :</b> Utilisez toujours les deux mains pendant le fonctionnement de l'appareil. N'utilisez jamais une seule main pour faire actionner l'appareil.</p>
	<p>• <b>REBOND</b></p> <p><b>AVERTISSEMENT :</b> Le contact de la pointe du guide-chaîne avec tout autre objet doit être évité. Ce contact peut faire soudainement bouger le guide-chaîne vers le haut et vers l'arrière, ce qui peut causer des blessures graves.</p>
	<p>• <b>INDICATEUR DU RÉGLAGE D'HUILE DE LA CHAÎNE</b></p> <p>Pour fonctionner correctement, la chaîne doit être continuellement recouverte d'huile. Veillez à régler la vis de réglage d'huile pour permettre à une quantité suffisante d'huile de s'écouler de façon continue sur la chaîne.</p>
	<p>• <b>FREIN DE CHAÎNE</b></p> <p>Le frein de chaîne arrête immédiatement la chaîne de scie en mouvement dans des situations d'urgence. Pour enclencher manuellement le frein de chaîne, poussez le levier du frein de chaîne complètement vers l'avant. Pour désengager le frein de chaîne, tirez complètement le levier du frein de chaîne vers l'arrière.</p>
	<p>• <b>SENS DE LA CHAÎNE</b></p> <p>Assurez-vous que la chaîne fait face à la direction indiquée lorsqu'elle est installée sur le guide-chaîne. Reportez-vous à la section <i>Installation du guide-chaîne et de la chaîne</i> de la section <i>Entretien</i>.</p>
	<p>• <b>TENSION DE LA CHAÎNE</b></p> <p>Gardez toujours la chaîne bien tendue. Tournez la vis de tension de la chaîne dans le sens horaire pour tendre la chaîne de la scie. Tournez la vis de tension de la chaîne dans le sens antihoraire pour desserrer la chaîne de la scie.</p>

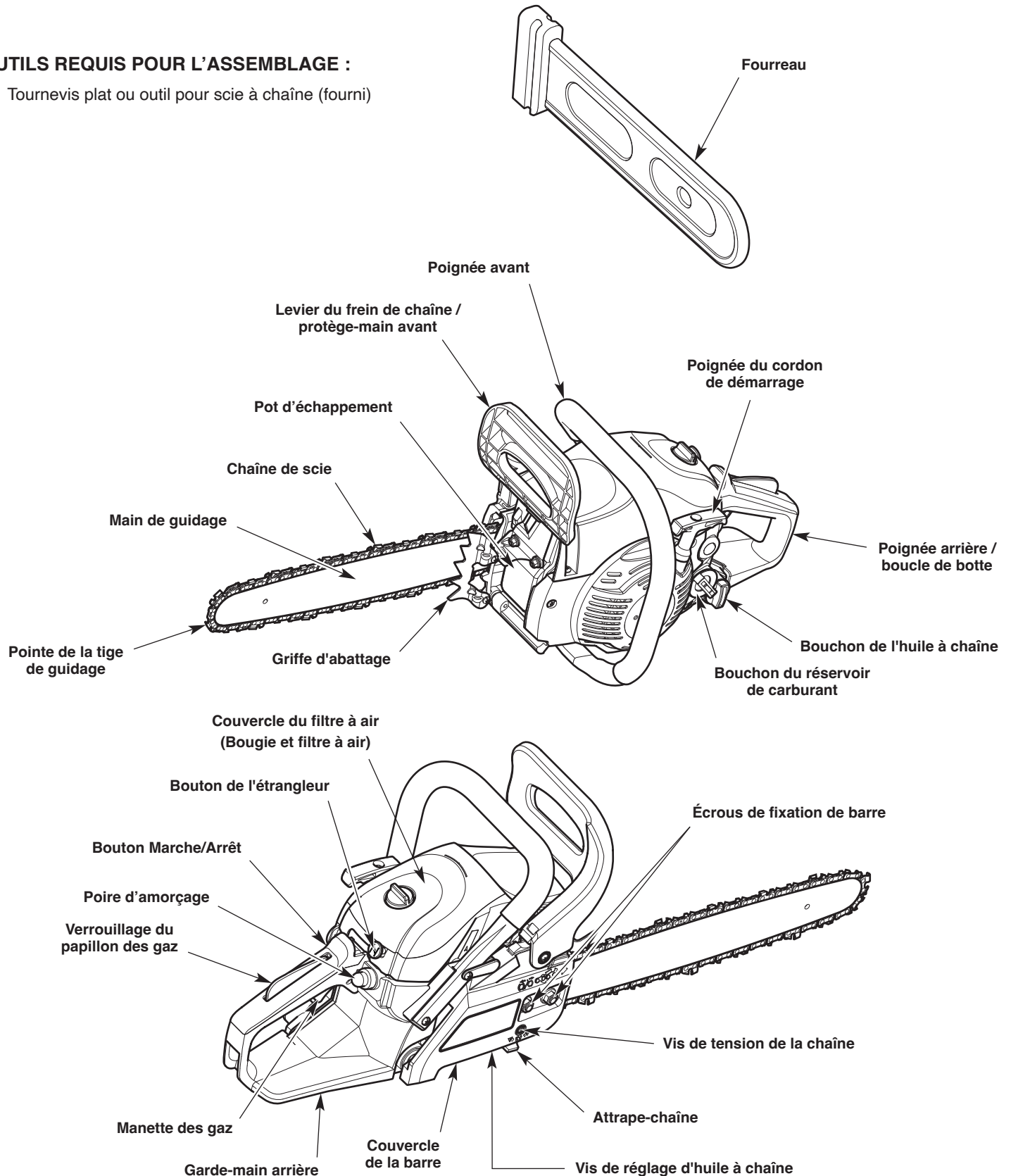
# FAMILIARISEZ-VOUS AVEC VOTRE APPAREIL

## APPLICATIONS

- Abattage et ébranchage d'arbres
- Coupe de bûches (tronçonnage)
- Élagage des arbres

## OUTILS REQUIS POUR L'ASSEMBLAGE :

- Tournevis plat ou outil pour scie à chaîne (fourni)



## MODALITÉS ET DÉFINITIONS ESSENTIELLES

- **TRONÇONNEUSE** - Un outil conçu pour couper du bois avec une scie à chaîne. Une scie à chaîne est une unité intégrée composée d'une source d'alimentation, d'une chaîne, d'un guide-chaîne et de poignées qui sont conçus pour être tenus à deux mains pendant le fonctionnement.
- **PARTIE MOTEUR DE LA TRONÇONNEUSE** - Une tronçonneuse sans chaîne et guide.
- **PIGNON D'ENTRAÎNEMENT** - Une roue dentée qui entraîne la chaîne.
- **POIGNÉE AVANT** - Une poignée de support située vers l'avant de la tronçonneuse.
- **POIGNÉE ARRIÈRE** - Une poignée de support située vers l'arrière de la tronçonneuse.
- **LEVIER DU FREIN DE CHAÎNE / GARDE-MAIN AVANT** - Une barrière structurelle entre la poignée avant et la barre de guidage. Le protège-main avant aide à protéger la main gauche de l'opérateur si elle glisse de la poignée avant alors que l'appareil est en marche. Le levier du frein de chaîne sert également à engager manuellement le frein de chaîne.
- **FREIN DE CHAÎNE** - Un dispositif qui réduit le risque de blessure en cas de rebond, en arrêtant la chaîne de la scie en quelques millisecondes. Le frein de chaîne est conçu pour s'engager automatiquement en réponse à un rebond. Le frein de chaîne peut également être activé en poussant le levier du frein de chaîne vers l'avant, que ce soit intentionnellement ou si la main de l'opérateur frappe le levier pendant le rebond.
- **GARDE-MAIN ARRIÈRE** - Une barrière structurelle sous la poignée arrière. Le protège-main arrière permet de protéger la main droite de l'opérateur en cas de rupture ou de désengagement de la chaîne dans la barre de guidage pendant le fonctionnement.
- **BARRE DE GUIDAGE** - Une solide structure sur rail qui soutient et guide la chaîne de la scie.
- **POINTE DE LA BARRE DE GUIDAGE** - La pointe ou à l'extrémité de la barre de guidage.
- **BARRE DE GUIDAGE À FAIBLE REBOND** - Un guide dont il a été démontré qu'il y a réduction significative du rebond.
- **CHAÎNE DE SCIE** - Une boucle de chaîne avec des dents destinée à couper du bois, qui est entraînée par le moteur et soutenue par la barre de guidage. La chaîne de la scie est composée de maillons d'entraînement, de dispositifs de coupe et de maillons secondaires assemblés par des rivets.
- **CHAÎNE À FAIBLE REBOND** - Une chaîne de scie qui est conforme aux exigences en matière de rebond de la norme ANSI/OPEI B175.1-2012 lors d'un essai sur un échantillon représentatif de scies à chaîne. En raison de jauges de profondeur et de maillons de protection spécialement conçus, une chaîne à faible tendance de rebond réduit considérablement le risque de rebond et son intensité.
- **CHAÎNE DE RECHANGE** - Une chaîne de scie qui est conforme aux exigences en matière de rebond de la norme ANSI/OPEI B175.1-2012 lors d'un essai sur un échantillon représentatif de scies à chaîne. Elle peut ne pas répondre aux normes de performance ANSI/OPEI lorsqu'elle est utilisée avec d'autres scies à chaîne.
- **GRIFFE D'ABATTAGE** - La dent pointue (ou les dents), à l'avant de la scie à chaîne, utilisée lors de l'abattage et du tronçonnage pour aider à pivoter la scie et la maintenir dans une position stable pendant la coupe.
- **ATTRAPE CHAÎNE** - Dispositif conçu pour intercepter une chaîne qui fouette. L'attrape chaîne permet de réduire la possibilité d'une blessure en cas de rupture ou de désengagement de la chaîne dans la barre de guidage pendant le fonctionnement.
- **COMMANDE DU HUILEUR** - Un système de lubrification de la chaîne et du guide.
- **INTERRUPTEUR MARCHE/ARRÊT** - Un dispositif qui arrête immédiatement le moteur lorsqu'il est mis en position ARRÊT. La chaîne ralentira alors jusqu'à l'arrêt complet de la scie. L'interrupteur Marche/Arrêt doit être placé vers la position Marche pour démarrer le moteur.
- **MANETTE DES GAZ** - Un dispositif utilisé en conjonction avec le verrouillage du papillon des gaz pour accélérer le moteur. Le relâchement de la manette des gaz ramène le moteur au ralenti.
- **VERROUILLAGE DU PAPILLON DES GAZ** - Un dispositif qui empêche l'accélération accidentelle du moteur. La manette des gaz ne peut pas être serrée tant que le verrouillage du papillon des gaz n'est pas enclenché.
- **ÉCRAN PARE-ÉTINCELLES** - Dispositif qui retient le carbone et les autres particules inflammables de plus de 0,023 pouce (0,6 mm) de diamètre à l'échappement du moteur. La responsabilité incombe à l'utilisateur de respecter les lois locales, provinciales et fédérales ou les règlements régissant l'utilisation d'un pare-étincelles. Reportez-vous à *Remarque sur le pare-étincelles* de la section *Sécurité* pour obtenir de plus amples renseignements.
- **REBOND** - Un soudain mouvement vers l'arrière ou vers le haut de la barre de guidage et de la chaîne. Un rebond peut se produire si la partie supérieure de la pointe du guide touche un objet alors que la chaîne est en train de tourner (rebond rotatif). Un rebond peut également se produire si le bois se referme et pince la chaîne de la tronçonneuse dans la coupe (rebond linéaire).
- **REBOND ROTATIF** - Un soudain mouvement vers l'arrière ou vers le haut de la barre de guidage et de la chaîne. Un rebond rotatif peut se produire si la partie supérieure de la pointe du guide touche un objet alors que la chaîne est en train de tourner. La tige de guidage est ensuite soulevée et repoussée vers l'utilisateur en une réaction inverse ultrarapide.
- **REBOND LINÉAIRE (REBOND DE PINCEMENT)** - Un soudain mouvement vers l'arrière de la barre de guidage et de la chaîne. Un rebond linéaire (pincement) peut également se produire si le bois se referme et pince la chaîne de la tronçonneuse dans la coupe. La scie est ensuite envoyée directement vers l'utilisateur.
- **POSITION DE COUPE NORMALE** - Les positions prises pendant les coupes de tronçonnage et d'abattage.
- **ABATTAGE** - Le processus de l'abattage d'un arbre.
- **ENTAILLE D'ABATTAGE** - La première méthode de coupe du processus d'abattage des arbres. Une entaille est coupée d'un côté de l'arbre afin de diriger sa chute.
- **COUPE D'ABATTAGE** - La coupe finale dans le processus d'abattage des arbres. La coupe d'abattage est faite du côté opposé de l'arbre où se trouve l'entaille.
- **TRONÇONNAGE** - La méthode de coupe d'un arbre abattu ou de découpe en billes.
- **ÉBRANCHAGE** - La méthode d'élimination des branches d'un arbre tombé.
- **ÉMONDAGE** - La méthode qui consiste à couper les branches d'un arbre vivant.

## SPÉCIFICATIONS\*

Type de moteur	2 temps à refroidissement par air
Cylindrée	42 cm <sup>3</sup> (2,56 po <sup>3</sup> )
Écartement de bougie	0,635 mm (0,025 po)
Bougie d'allumage	Bougie Torch® CMR7H ou équivalent
Lubrification	Huile à barre et à chaîne
Ratio essence/huile	40:1
Capacité du réservoir de carburant	270 mL (9 onces liq.)
Capacité du réservoir d'huile à chaîne	200 mL (6,5 onces liq.)
Poids approximatif (sans carburant ni huile à chaîne)	5,3 à 5,8 kg (11,75 à 12,75 lb)
Longueur du guide-chaîne (TB4214)	35,6 cm (14 po)
Longueur du guide-chaîne (TB4216)	40,6 cm (16 po)
Longueur du guide-chaîne (TB4218)	45,7 cm (18 po)
Pas de la chaîne de scie	9,5 mm (3/8 po)
Calibre de la chaîne de scie	1,3 mm (0,050 po)

Ce système d'allumage par étincelle de véhicule est conforme à la norme NMB-002 du Canada.

\* L'ensemble des spécifications est basé sur les toutes dernières informations disponibles sur le produit à l'impression de ce manuel. Nous nous réservons le droit d'apporter des modifications à tout moment sans avis préalable.

### PIÈCES DE RECHANGE

Veillez appeler le service d'assistance à la clientèle pour commander des pièces de rechange.

Numéro de pièce	Description
713-05277	Chaîne à scie (35,6 cm / 14 po)
713-05276	Chaîne à scie (40,6 cm / 16 po)
713-05042	Chaîne à scie (45,7 cm / 18 po)
795-01022A	Guide-chaîne (35,6 cm / 14 po)
795-01023A	Guide-chaîne (40,6 cm / 16 po)
795-01024A	Guide-chaîne (45,7 cm / 18 po)
753-08105	Écrous de fixation de barre

## AJOUT D'HUILE À GUIDE-CHAÎNE ET À CHAÎNE PREMIÈRE UTILISATION

Cet appareil est livré de l'usine avec le réservoir d'huile à chaîne vide. Remplir le réservoir d'huile à chaîne et guide avant de démarrer ou d'utiliser l'appareil. Reportez-vous à *Ajout d'huile à guide-chaîne* et à chaîne de la section *Entretien*.

## RÉGLAGE DE LA TENSION DE LA CHAÎNE : PREMIÈRE UTILISATION

La chaîne de la scie doit être bien tendue avant de tenter de démarrer ou de faire fonctionner l'appareil. La chaîne de la scie peut également nécessiter des tensions supplémentaires tandis que la chaîne chauffe en cours de fonctionnement. Reportez-vous à *Réglage de la tension de la chaîne* de la section *Entretien*.

## TEST DU FREIN DE CHAÎNE



**AVERTISSEMENT** : Activez toujours lentement et délibérément le frein de chaîne. Empêchez la chaîne d'entrer en contact avec quoi que ce soit. Ne laissez pas la tronçonneuse basculer vers l'avant.

Testez toujours le frein de chaîne avant d'utiliser l'appareil.

1. **Posez l'appareil sur une surface plane.**
  2. Assurez-vous que le levier de frein de chaîne est tiré vers l'arrière en position débrayée (Fig. 1).
  3. Démarrez l'appareil. Reportez-vous aux *Instructions de démarrage* dans la section *Démarrage et arrêt*. Maintenez une bonne prise. Reportez-vous à *Maintien de l'appareil* dans la section *Fonctionnement*.
  4. Lorsque l'appareil est en marche, enfoncez la manette des gaz du tiers et engagez ensuite le frein de chaîne en poussant le levier du frein de chaîne vers l'avant avec la main gauche (Fig. 1). La chaîne doit s'immobiliser brusquement.
- SI...** Si la chaîne s'arrête, le frein de chaîne fonctionne correctement.
- SI...** Si la chaîne n'arrête pas de bouger, faites réparer l'appareil chez un centre de réparations agréé.
5. Arrêtez le moteur et remettez le frein de chaîne en position débrayée. Reportez-vous aux *Instructions d'arrêt* de la section *Démarrage et arrêt*.

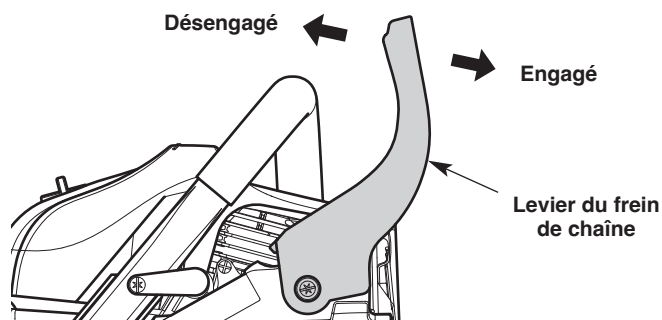


Fig. 1

## INSTRUCTIONS DE MÉLANGE D'HUILE ET DE CARBURANT

L'utilisation d'un carburant vieux et/ou mal mélangé est la cause la plus courante des problèmes de performance. Utilisez uniquement une essence sans plomb neuve et propre. Respectez ces instructions à la lettre pour mélanger correctement l'essence et l'huile.

### Définition des carburants mélangés

Les carburants d'aujourd'hui sont souvent un mélange d'essence et de produits oxygénés, comme l'éthanol, le méthanol ou l'éther méthyl-tertiobutylique. Un carburant mélangé à l'alcool absorbe l'eau. Il suffit de 1 % d'eau pour séparer le carburant et l'huile, ce qui formera des acides pendant l'entreposage. Utilisez TOUJOURS un carburant neuf (moins de 30 jours).

**REMARQUE** : jetez le vieux carburant en respectant les réglementations fédérales, étatiques et locales.

### Utilisation des carburants mélangés

Si vous utilisez un carburant mélangé :

- Utilisez toujours le mélange de carburant frais expliqué dans le manuel de l'opérateur
- Utilisez un additif pour carburant
- Agitez toujours le mélange de carburant avant de remplir l'appareil

**ATTENTION** : N'UTILISEZ PAS UN CARBURANT E85 DANS CET APPAREIL. Il a été prouvé qu'un carburant contenant plus de 10 % d'éthanol est susceptible d'endommager ce moteur et d'annuler la garantie.

### Utilisation d'additifs pour carburant



Le contenant d'huile à deux temps fourni avec cet appareil comprend un additif de carburant pour aider à empêcher la corrosion et réduire les dépôts de gomme. Utilisez toujours la marque d'huile pour moteur à 2 temps fournie avec cet appareil. En cas d'indisponibilité, utilisez une huile conçue pour les moteurs à 2 temps refroidis par air, en la mélangeant avec un additif pour carburant. Ajoutez 23 mL (2 oz liq.) d'additif pour 3,8 litres (1 gallon) de carburant selon les instructions du récipient. N'ajoutez JAMAIS des additifs directement dans le réservoir de l'appareil.

### Mélange du carburant

**REMARQUE** : Cet appareil est livré avec un contenant d'huile à deux temps de 95 mL (3,2 oz liq.). Pour obtenir le mélange de carburant adéquat décrit ci-dessous, versez le contenant complet dans 3,8 litres (1 gal) d'essence sans plomb.

**ATTENTION** : Pour assurer le fonctionnement adéquat du moteur et une fiabilité maximale, respectez scrupuleusement les instructions de mélange de l'essence et de l'huile figurant sur le contenant d'huile à deux temps. L'utilisation d'un carburant mal mélangé peut gravement endommager le moteur.

Mélangez soigneusement l'essence sans plomb et l'huile pour moteur à 2 temps en respectant à la lettre les proportions. Ne les mélangez pas directement dans le réservoir de l'appareil. Utilisez un bidon séparé. Utilisez un rapport d'essence/huile de 40:1. Consultez le tableau ci-dessous pour connaître les rapports de mélange exacts de l'essence et de l'huile.

	
Essence sans plomb	Huile 2-temps
3,8 litres (1 gallon américain)	95 mL (3,2 oz liq.)
1 litre	25 mL

RAPPORT DE MÉLANGE - 40:1

## REPLISSAGE DU RÉSERVOIR

**AVERTISSEMENT** : l'essence est extrêmement inflammable. Des vapeurs enflammées peuvent exploser. Arrêtez toujours le moteur et laissez-le refroidir avant de remplir le réservoir d'essence. Ne fumez pas pendant le remplissage du réservoir. Maintenez toute flamme nue et étincelle loin de la zone.

**AVERTISSEMENT** : dévissez lentement le bouchon du réservoir pour éviter toute blessure due à un jet de carburant. N'utilisez jamais l'appareil quand le bouchon du réservoir de carburant n'est pas correctement vissé.

**AVERTISSEMENT** : ajoutez l'essence dans une zone extérieure propre et bien aérée. Essuyez immédiatement tout carburant déversé. Évitez de créer une source d'inflammation en présence d'un déversement de carburant. Ne démarrez pas le moteur avant que les vapeurs d'essence ne se soient dissipées.

1. Placez l'appareil afin que le bouchon du réservoir soit tourné vers le haut.
  2. Retirez lentement le bouchon du réservoir d'essence (Fig. 2).
  3. Placez le bec du réservoir de carburant dans l'orifice de remplissage du réservoir et remplissez le réservoir.
- REMARQUE** : ne remplissez pas le réservoir de manière excessive.
4. Essuyez la totalité du carburant échappé du réservoir.
  5. Revissez le bouchon du réservoir.
  6. Éloignez l'appareil à 9,1 mètres (30 pieds) au moins du bidon de carburant et du site de ravitaillement avant de démarrer le moteur.

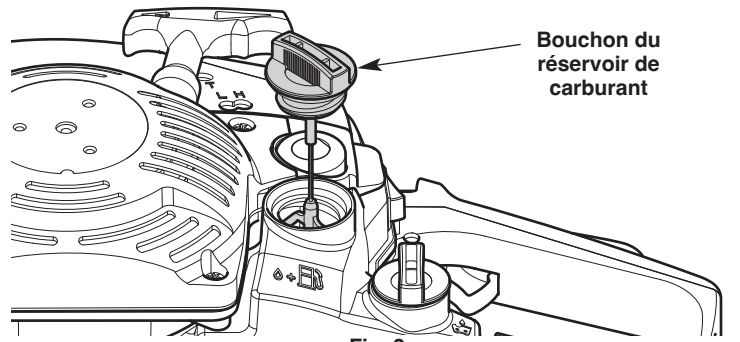


Fig. 2

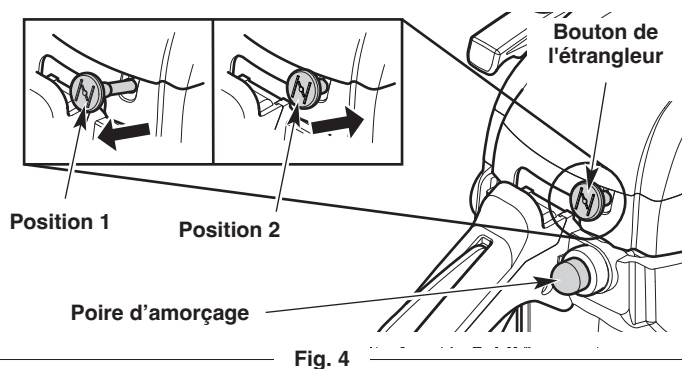
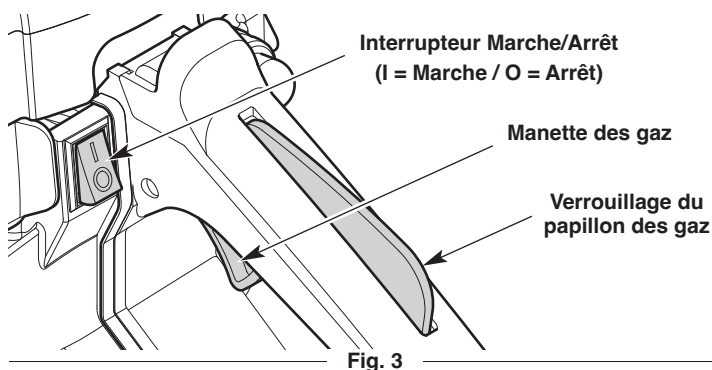
## DÉMARRAGE ET ARRÊT

**AVERTISSEMENT** : Ne faites marcher l'appareil qu'à l'extérieur, dans un lieu bien aéré. Les fumées d'échappement de monoxyde de carbone peuvent être mortelles dans les zones confinées

**AVERTISSEMENT** : Évitez un démarrage accidentel de l'unité. Afin d'éviter les blessures graves, l'utilisateur et l'appareil doivent se trouver en position stable lorsque le cordon de démarrage est tiré (Fig. 5).

**AVERTISSEMENT** : Ne faites jamais fonctionner l'appareil sans que le guide-chaîne et la chaîne soient correctement installés. Assurez-vous que les écrous du guide-chaîne soient bien serrés et que le guide-chaîne est solidement assemblé. Assurez-vous que la chaîne est correctement tendue. Reportez-vous à *Réglage de la tension de la chaîne* de la section *Entretien*.

**AVERTISSEMENT** : La chaîne tournera après le démarrage du moteur. Gardez les mains et les pieds éloignés de la chaîne de la tronçonneuse et ne laissez pas la chaîne entrer en contact avec des objets.



### INSTRUCTIONS DE DÉMARRAGE

#### Avant de démarrer l'unité

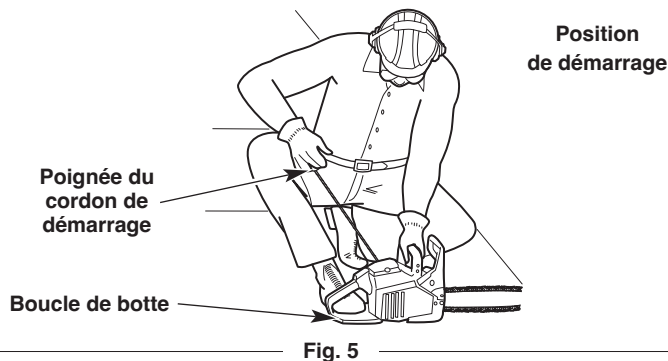
1. Nettoyer le filtre à air. Reportez-vous à *Entretien du filtre à air* de la section *Entretien*.
2. Mélangez l'essence et l'huile. Consultez les *Instructions de mélange de l'huile et de l'essence*.
3. Remplissez le réservoir d'essence. Consultez la section *Remplissage du réservoir*.
4. Remplissez le réservoir d'huile avec de l'huile à guide-chaîne et à chaîne. Reportez-vous à *Ajout d'huile à guide-chaîne et à chaîne* de la section *Entretien*.
5. Assurez-vous que le frein de chaîne est désengagé. Reportez-vous à *Test du frein de de chaîne* de la section *Assemblage*.

#### Démarrage de l'unité

1. Déplacez le bouton Marche/Arrêt en position **Marche** (Fig. 3).
2. Lentement, pressez puis relâchez **10 fois** de suite la poire d'amorçage (Fig. 4). Si vous ne voyez pas de carburant dans la poire d'amorçage, pressez et relâchez la poire jusqu'à ce que du carburant soit visible.
3. Tirez le bouton de l'étrangleur en **position 1** (Fig. 4).

**REMARQUE : NE TOUCHEZ PAS à la commande des gaz (Fig. 3) avant l'étape 10.**

4. Posez l'appareil sur une surface plane. Dégagez la zone de tout objet qui pourrait entrer en contact avec la chaîne.
5. Placez-vous en position de démarrage (Fig. 5). Maintenez la poignée avant avec la main gauche. Maintenez la corde du démarreur avec la main droite. Insérez le pied droit dans la boucle de botte pour aider à maintenir l'appareil fermement en place.
6. Tirez à **5 reprises** sur le câble de démarreur avec un mouvement contrôlé et régulier (Fig. 5).
7. Poussez le bouton de l'étrangleur en **position 2** (Fig. 4).
8. Tirez sur le cordon de démarrage **3 à 5 fois** de suite d'un mouvement contrôlé et ferme pour démarrer le moteur.



9. Laissez le moteur chauffer pendant 30 à 60 secondes.
10. Appuyez sur le blocage de l'accélération et maintenez-le enfoncé. Exercez une légère pression sur la commande des gaz et relâchez-la pour ralentir le moteur.



**AVERTISSEMENT** : La chaîne de la scie ne doit pas bouger lorsque le moteur tourne au ralenti. Si elle bouge, reportez-vous à Réglage du ralenti dans la section Entretien.

11. Afin de réduire les risques de blessures, engagez le frein de chaîne jusqu'à ce que vous soyez prêt à commencer. Lorsque vous êtes prêt, désengagez le frein de chaîne. Ensuite, appuyez sur le blocage de l'accélérateur et, le cas échéant, enfoncez la manette des gaz pour accélérer le moteur.

**REMARQUE** : L'appareil est suffisamment chaud lorsque le moteur accélère sans à-coups.

**SI...** le moteur hésite, continuez le réchauffement.

**SI...** le moteur ne démarre pas, reprenez toute la séquence de démarrage.

**SI...** le moteur ne démarre pas après quelques tentatives, déplacez le bouton de l'étrangleur en **position 2**, appuyez sur le blocage de l'accélération et enfoncez la manette des gaz. Tirez sur la corde de démarrage en effectuant un mouvement contrôlé et ferme jusqu'à ce que l'appareil démarre.

**SI...** le moteur est déjà chaud, assurez-vous que l'interrupteur Marche/Arrêt est en position de **Marche**, accroupissez-vous en position de démarrage, tirez le bouton de l'étrangleur en **position 1**, puis poussez le bouton du démarreur en **position 2**. Amorcez la procédure de démarrage avec l'étape 8.

## CONSIGNES POUR ARRÊTER L'APPAREIL

1. Relâchez la manette des gaz et laissez le moteur tourner au ralenti.
2. Déplacez l'interrupteur Marche/Arrêt en position d'**Arrêt (O)** (Fig. 3). Attendez que le moteur et la chaîne de la scie s'arrêtent complètement.

### Arrêt d'urgence

1. Poussez le levier du frein de chaîne vers l'avant pour engager le frein de chaîne. Reportez-vous à *Test du frein de de chaîne* de la section *Assemblage*.
2. Déplacez le commutateur Marche/Arrêt en position **Arrêt (O)**. Attendez que le moteur et la chaîne de la scie s'arrêtent complètement.



**AVERTISSEMENT** : Vérifiez toujours la tension de la chaîne et ajustez si nécessaire avant de commencer l'opération. Reportez-vous à *Réglage de la tension de la chaîne* de la section *Entretien*.



**AVERTISSEMENT** : Assurez-vous que le réservoir d'huile de la chaîne est plein avant de l'utiliser. Vérifiez en permanence le niveau d'huile afin qu'il ne descende pas à moins de la moitié. Veillez à régler adéquatement la vis de réglage d'huile. Reportez-vous à *Configuration de la vis de réglage d'huile à chaîne* de la section *Entretien*. Pour fonctionner correctement, la chaîne doit être continuellement recouverte d'huile.



**AVERTISSEMENT** : Portez toujours des lunettes de sécurité, des protections auditives, des gants, des chaussures protectrices et une protection corporelle pour réduire le risque de blessure lors de l'utilisation de cet appareil. Portez un casque. Protégez-vous le visage avec un masque intégral au besoin. Reportez-vous à la section *Sécurité* pour connaître l'information relative à l'équipement de protection approprié.

### CONSEILS POUR OBTENIR DE MEILLEURS RÉSULTATS

- Respectez toutes les consignes de sécurité. Reportez-vous à la section *Sécurité*.
- Ne coupez que du bois et des matériaux dérivés du bois. N'essayez pas de couper de la tôle, du plastique, de la maçonnerie ou des matériaux autres que du bois.
- Exercez-vous à couper quelques petites bûches avant de commencer des coupes importantes. Les nouveaux utilisateurs doivent s'exercer à couper des billes sur un chevalet ou un appui avant d'entreprendre d'autres activités.
- N'essayez pas de couper des arbres ou des bûches ayant des diamètres supérieurs à :
  - 25,4 cm / 10 po (TB4214)
  - 30,5 cm / 12 po (TB4216)
  - 35,6 cm / 14 po (TB4218)

### PRÉPARATION DE LA ZONE DE TRAVAIL

- Éloignez les enfants, les passants et les animaux domestiques ; ils doivent rester dans un rayon d'au moins 15 mètres (50 pieds). Même à cette distance, il existe néanmoins un risque de projectiles pour les personnes à proximité. Encouragez-les à porter des lunettes de sécurité. Si quelqu'un s'approche de vous, arrêtez immédiatement l'appareil. Lors de l'abattage, la distance de sécurité est d'au moins deux fois la hauteur de l'arbre le plus haut dans la zone de travail. Lors du tronçonnage, gardez les travailleurs à au moins 4,6 m (15 pi) de distance.
- Gardez la zone de travail propre. Les endroits encombrés favorisent les accidents. Ne commencez pas à couper avant que la zone de travail soit dégagée et libre de tout obstacle. Assurez-vous d'avoir une position stable et qu'une voie de retraite soit prévue en raison de chutes de branches.
- Ne coupez pas à proximité de câbles électriques ou de lignes à haute tension. Demeurez à au moins 15 m (50 pi) de toutes les lignes électriques.
- Utilisez l'appareil uniquement en plein jour ou avec un bon éclairage artificiel.

## COMMENT TENIR L'APPAREIL

	<b>AVERTISSEMENT</b> : Utiliser toujours les placements de main précisés ci-dessous que l'opérateur soit gaucher ou droitier. Cela aidera à garder l'opérateur légèrement à gauche de l'appareil et à l'écart de la ligne directe de la chaîne en cas de rebond (Fig. 8 et Fig. 9). Toujours garder toutes les parties du corps à la gauche de la ligne de chaîne.
----------------------------------------------------------------------------------	--------------------------------------------------------------------------------------------------------------------------------------------------------------------------------------------------------------------------------------------------------------------------------------------------------------------------------------------------------------------

- Encerclez fermement la poignée avec tous les doigts de la main (Fig. 6). Cela permettra de réduire le risque de perte de contrôle de l'appareil en cas de rebond. Toute prise avec le pouce et les doigts du même côté de la poignée est dangereuse (Fig. 7).
- Saisissez toujours fermement l'appareil avec les deux mains lorsqu'il est en marche.
- Maintenez la poignée avant avec la main gauche. Gardez le bras gauche bien tendu pour aider à faire face à un rebond potentiel.
- Maintenez la poignée arrière avec la main droite. Gardez le bras droit légèrement plié.
- Tenez-vous dans une position stable, les pieds écartés et fermement posés sur le sol.
- Ne coupez pas à une hauteur supérieure aux épaules. Ne tendez pas le bras trop loin.

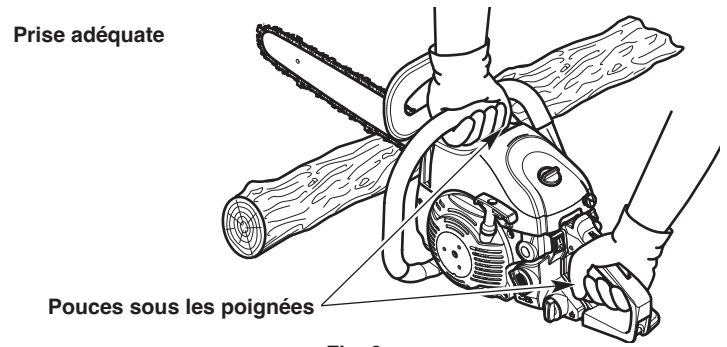


Fig. 6

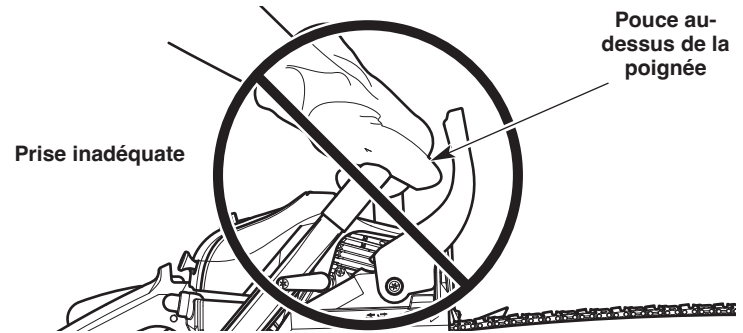


Fig. 7

## FONDEMENT DES PROCÉDURES DE COUPE

1. Démarrez l'appareil. Reportez-vous aux *Instructions de démarrage* dans la section *Démarrage et arrêt*.
2. Gardez vos doigts sur la manette des gaz jusqu'à ce que vous soyez prêt à faire une coupe.
3. Faites accélérer l'appareil à pleine vitesse avant de couper.
4. S'assurer que l'huile coule sur la barre de guidage et la chaîne de la scie. Une petite vaporisation doit être visible. Lorsque vous utilisez l'appareil pour la première fois, allouer de 30 à 60 secondes pour que l'huile commence à couler.
5. Appuyez l'appareil contre le bois et maintenez une pression ferme et régulière pendant la plupart des coupes. Ne mettez pas de pression sur l'appareil à la fin de la coupe.
6. Maintenez une vitesse constante tout au long de la coupe. Gardez l'appareil en fonctionnement tout au long de la coupe.
7. Ne forcez pas la scie dans le bois. Laissez la tronçonneuse faire la coupe. Exercez uniquement une légère pression. Le fait de forcer la coupe peut entraîner des dommages à l'appareil ou des blessures.
8. Relâchez la commande des gaz, dès que la coupe est terminée. Laissez la chaîne s'arrêter complètement. La chaîne de la tronçonneuse, le guide-chaîne et le moteur peuvent subir une usure inutile si l'appareil est actionné sans charge de coupe.

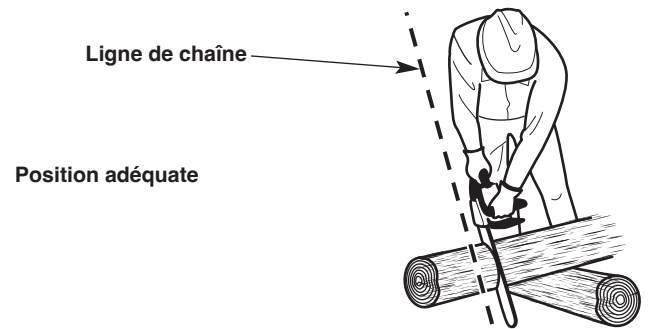


Fig. 8

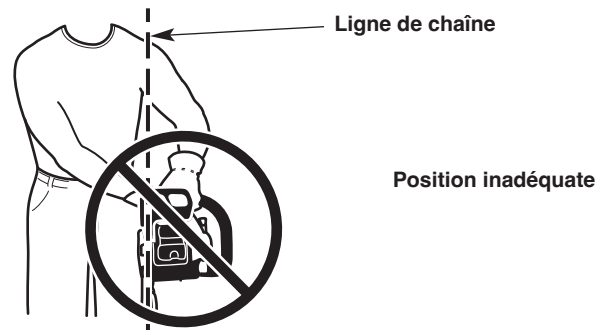


Fig. 9

## ABATTAGE : SÉCURITÉ

L'abattage est le processus de coupe d'un arbre. Pour réduire le risque de blessures graves, de dommages matériels et de dommages aux fils électriques, respectez les consignes de sécurité :

- N'abattez pas d'arbres avec un penchant extrême. N'abattez pas les arbres comportant des branches pourries, de l'écorce lâche ou des troncs creux. Ces arbres doivent être poussés ou tirés avec du matériel lourd.
- Ne coupez pas des arbres à proximité de bâtiments ou des fils électriques. Laissez ces interventions à des professionnels. Si un arbre abattu entre en contact avec un fil électrique, avisez immédiatement la compagnie d'électricité.

- Vérifiez si l'arbre comporte des branches mortes ou endommagées qui pourraient tomber et causer des blessures graves.
- Enlevez la saleté, les pierres, l'écorce lâche, les clous, les fils de fer et les autres obstructions de la partie de l'arbre qui sera coupée.
- Lorsque du tronçonnage et des opérations d'abattage sont effectués par au moins deux personnes dans la même zone, ils doivent être séparés les uns des autres de l'équivalent d'au moins deux fois la hauteur de l'arbre à abattre.
- Envisagez la force et la direction du vent. Pensez au penchant et à l'équilibre de l'arbre. Pensez à l'emplacement des grosses branches. Tous ces facteurs influent sur la direction de chute de l'arbre. N'essayez pas d'abattre un arbre dans une direction autre que sa ligne de tombée naturelle.
- N'abattez pas les arbres durant les périodes de précipitations ou de vents violents.
- Déterminez une voie d'évacuation sûre et rapide. Dégagez la zone autour de l'arbre et assurez-vous qu'il n'y ait aucun obstacle bloquant la voie d'évacuation. Mettez en place un corridor d'évacuation de 90°, à environ 135° de la ligne de chute (Fig. 10).
- Restez en amont de l'arbre, il roulera ou glissera plus probablement après sa chute.

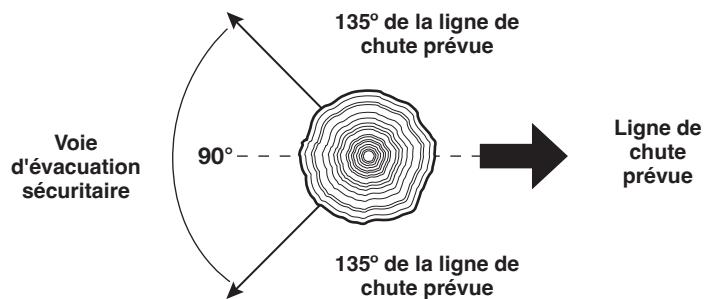


Fig. 10

## ABATTAGE : PROCÉDURE

Les petits arbres, jusqu'à 15 à 18 cm (6 à 7 po) de diamètre, sont généralement abattus en une seule coupe. Les plus gros arbres nécessitent une séquence de deux opérations de coupe : une entaille amoindrie suivie d'une coupe d'abattage. Il peut également être nécessaire d'enlever les racines principales.

### Étape 1 : Retrait des racines principales

Les racines principales sont de grosses racines qui s'étendent au-dessus du sol et aident à soutenir l'arbre. Si l'arbre comporte de grosses racines qui pourraient entraver le processus d'abattage, suivez ces étapes pour les enlever :

1. Faites une coupe horizontale dans la racine principale (Fig. 11). Pour éviter que le guide-chaîne ne soit pincé par le poids du bois, faites toujours cette coupe en premier.
2. Faites une coupe verticale dans la racine principale (Fig. 11).
3. Retirez la section lâche de la zone de travail.

### Étape 2 : Faites une entaille amoindrie

**AVERTISSEMENT** : Ne marchez jamais devant un arbre comportant une entaille amoindrie.

Cette coupe détermine la direction dans laquelle l'arbre tombera. Faites toujours cette coupe du côté où l'arbre doit tomber. Faites la coupe à 90° de la ligne de chute.

1. Faites une coupe horizontale dans le tronc de l'arbre (Fig. 12). La coupe doit être environ du tiers du diamètre de l'arbre et près du sol. Pour éviter que le guide-chaîne ne soit pincé par le poids du bois, faites toujours cette coupe en premier.
2. Faites une coupe de 45° dans le tronc de l'arbre, par-dessus la première coupe (Fig. 12). Continuez la coupe jusqu'à ce que les deux entailles se rencontrent.
3. Retirez la section lâche de la zone de travail.

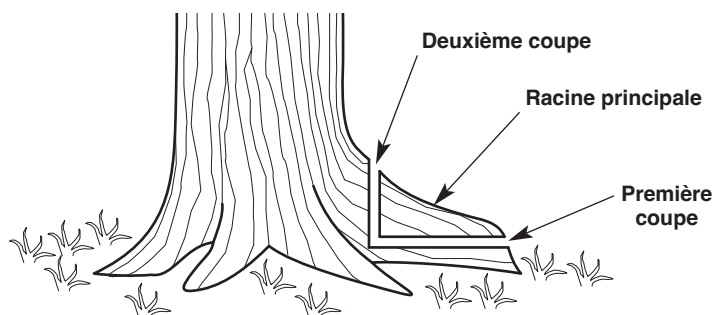


Fig. 11

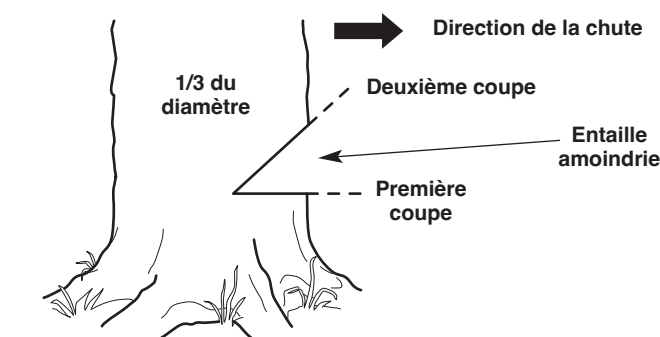


Fig. 12

### Étape 3 : Excécutez la coupe d'abattage

	<b>AVERTISSEMENT</b> : Vérifiez toujours de nouveau la zone des passants, des animaux et des obstacles avant de faire la coupe d'abattage.
--	--------------------------------------------------------------------------------------------------------------------------------------------

Cette coupe abat l'arbre.

1. Faites une coupe horizontale du côté opposé de l'arbre depuis l'entaille amoindrie (Fig. 13). Faites la coupe à environ 5 cm (2 po) au-dessus du fond de l'entaille amoindrie (Fig. 13).
2. Comme la coupe se rapproche de l'entaille amoindrie, seule une mince bande de bois soutiendra l'arbre. Cette bande de bois est considérée comme la charnière (Fig. 13). La charnière permet de contrôler la chute de l'arbre. Laissez environ 5 cm (2 po) de cette charnière en place. Ne coupez pas à travers la charnière. Le fait de couper à travers la charnière peut faire tomber l'arbre dans n'importe quelle direction.
3. Levez périodiquement les yeux au cours de la coupe pour voir si l'arbre tombera dans le bon sens. S'il y a une possibilité que l'arbre ne tombe pas dans la direction souhaitée, ou que l'arbre bascule vers l'arrière et bloque la tronçonneuse, retirez le guide-chaîne de la coupe, arrêtez l'appareil et utilisez des cales pour ouvrir la coupe et diriger la chute (Fig. 14). Utilisez uniquement des cales de plastique souple ou de bois. Entrez lentement les cales dans la coupe. Une fois les cales bien en place et la coupe maintenue en position ouverte, vous pouvez soit réinsérer soigneusement le guide-chaîne et continuer la coupe ou enfoncer lentement les cales plus profondément afin de pousser l'arbre davantage.
4. Tandis que la charnière se rapetisse, l'arbre doit commencer à tomber. Lorsque l'arbre commence à tomber, retirez la tronçonneuse de la coupe, arrêtez le moteur et déposez immédiatement l'appareil. Quittez rapidement la zone le long de la voie de retraite, mais continuez à regarder l'arbre dans sa chute.

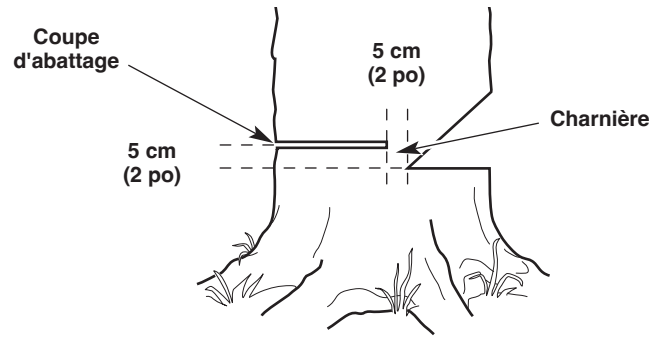


Fig. 13



Fig. 14

	<b>DANGER</b> : Si l'arbre commence à tomber dans la mauvaise direction et se lie à la tronçonneuse, lâchez l'appareil et quittez immédiatement la zone! N'essayez pas de sauver la tronçonneuse!
--	---------------------------------------------------------------------------------------------------------------------------------------------------------------------------------------------------

	<b>AVERTISSEMENT</b> : Restez à l'écart des arbres sous tension lors de l'utilisation de l'appareil. Les arbres sous tension sont des branches, des bûches, des racines ou des plantes qui sont repliées sous tension par un autre morceau de bois (Fig. 15). Lorsque la tension est relâchée, les arbres sous tension peuvent frapper l'opérateur, causant de graves blessures et pouvant frapper la tronçonneuse et la faire entrer en contact avec le corps de l'opérateur. Soyez extrêmement prudent lors de la coupe d'arbres sous tension ou lors de la libération de la cause de la tension.
--	-----------------------------------------------------------------------------------------------------------------------------------------------------------------------------------------------------------------------------------------------------------------------------------------------------------------------------------------------------------------------------------------------------------------------------------------------------------------------------------------------------------------------------------------------------------------------------------------------------

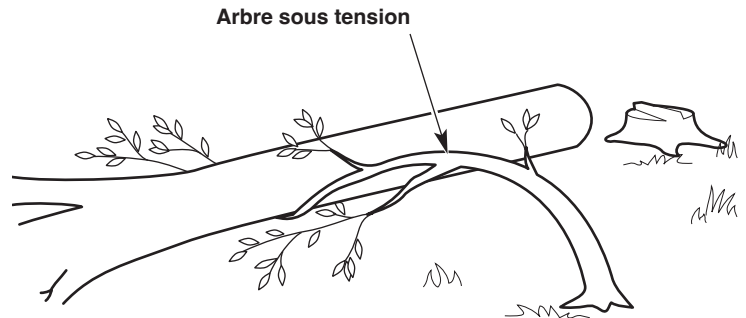


Fig. 15

### ÉBRANCHAGE

L'ébranchage est le processus qui consiste à enlever les branches d'un arbre tombé.

1. Laissez les grosses branches de soutien sous l'arbre pour la fin (Fig. 16). Ceux-ci garderont l'arbre au sol pendant le processus d'ébranchage.
2. Coupez une branche à la fois. Tenez-vous du côté opposé de l'arbre à partir de la branche (Fig. 16). Gardez le tronc entre l'opérateur et la tronçonneuse. Pour éviter de bloquer la tronçonneuse, les branches sous tension doivent être coupées de bas en haut.
3. Retirez les branches coupées de la zone de travail.

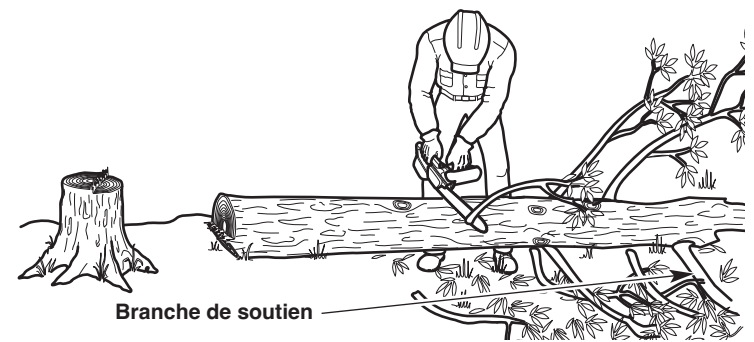


Fig. 16

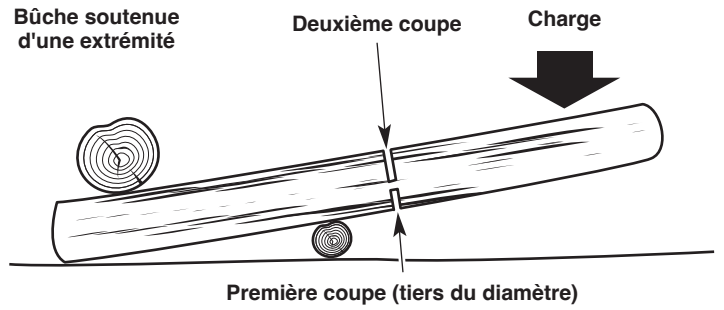
## TRONÇONNAGE : SÉCURITÉ

Le tronçonnage est le processus qui consiste à couper un arbre tombé en bûches de la longueur désirée. Suivez les consignes de sécurité pour réduire le risque de blessures graves :

- Dégagez la zone des objets ou des obstacles qui pourraient entrer en contact avec le guide-chaîne et se traduire par un rebond.
- Lors du tronçonnage sur une pente, tenez-vous toujours du côté en amont de l'arbre tombé.
- Si possible, l'extrémité de l'arbre à couper doit être soulevée du sol. Un cheval de sciage est idéal à cet effet. Si un cheval de sciage n'est pas disponible, utiliser d'autres bûches ou les souches restantes. Assurez-vous que l'arbre est fermement soutenu.
- Ne laissez pas la tronçonneuse entrer en contact avec le sol ou un cheval de sciage.
- Coupez une bûche à la fois. Relâchez la commande des gaz et laissez la tronçonneuse s'arrêter complètement avant de passer à la prochaine bûche.
- Gardez les pieds et toutes les autres parties du corps à l'écart des bûches tombantes.

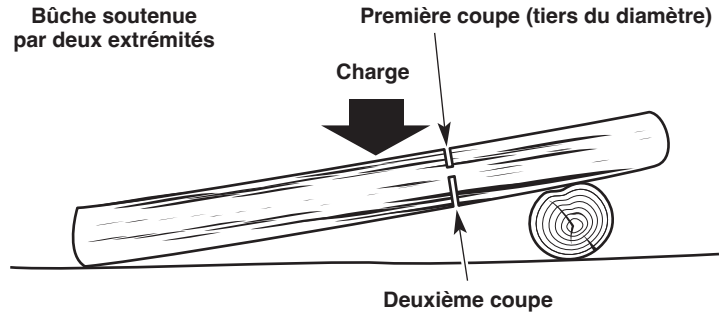


**DANGER:** Soyez extrêmement prudent lorsque vous coupez un arbre tombé qui est encore attaché à la structure de la racine. Lorsque le tronc est séparé des racines, il existe de fortes possibilités que la souche retourne dans le trou créé par les racines. Cela peut entraîner des blessures graves, voire la mort. Ne vous tenez jamais dans le trou laissé par les racines. Ne laissez jamais les autres se tenir près de la structure de la racine.



Première coupe (tiers du diamètre)

Fig. 17



Deuxième coupe

Fig. 18

## TRONÇONNAGE : PROCÉDURE

### Coupage de bûches soumises à une pression

Lorsque les bûches sont soutenues sur l'une ou les deux extrémités, le bois tend à se courber lors de l'opération de coupe. Cela peut pincer la tronçonneuse entre les deux parties. Portez une attention particulière.

1. Faites une première coupe d'environ le tiers du diamètre de la bûche. Ne coupez pas plus profondément que le tiers.
  - Si la bûche est soutenue sur une extrémité (Fig. 17), faites la première coupe depuis le bas (tronçonnage par dessous). Reportez-vous à *Tronçonnage par-dessous*.
  - Si la bûche est soutenue sur deux extrémités (Fig. 18), faites la première coupe depuis le haut (tronçonnage par dessus). Reportez-vous à *Tronçonnage par-dessus*.
2. Faites la deuxième coupe du côté opposé jusqu'à ce que les deux entailles se rencontrent. Si le diamètre du bois est assez grand, insérez des cales de plastique souple ou de bois pour garder la coupure ouverte et éviter le pincement (Fig. 21). Prenez soin de ne pas toucher aux cales avec la tronçonneuse.

### Coupe de bûches entièrement soutenues

Lorsque les bûches sont soutenues sur toute la longueur, des précautions supplémentaires doivent être prises pour s'assurer que la chaîne ne touchera pas au sol ou à une autre structure de soutien (Fig. 19).

1. Coupez à travers la bûche, autant que possible, sans couper dans la structure du sol ou la structure de soutien. Coupez du haut (tronçonnage par dessus). Reportez-vous à *Tronçonnage par-dessus*.
2. Retournez la bûche et finissez la coupe de la bûche par le haut (tronçonnage par dessus).

### Tronçonnage par dessus

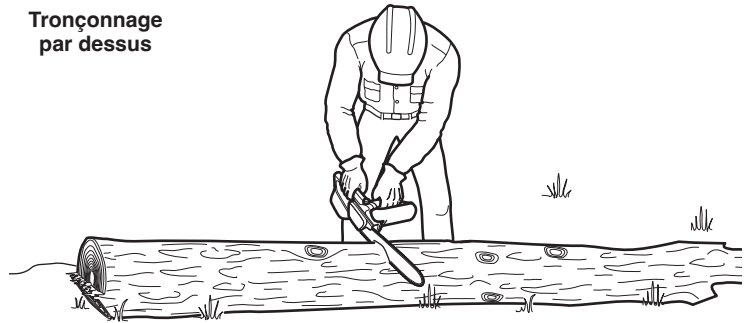


Fig. 19

### Tronçonnage par dessous



Fig. 20

### Tronçonnage par dessus

1. Commencez à couper par le haut, avec le bas de la chaîne de la tronçonneuse contre le dessus de la bûche (Fig. 19).
2. Exercez une légère pression descendante. La scie aura tendance à s'éloigner de l'opérateur. Soyez préparé et maintenez fermement la scie pour garder le contrôle.

### Tronçonnage par dessous

1. Commencez à couper par le bas, avec le haut de la chaîne de la tronçonneuse contre le bas de la bûche (Fig. 20).
2. Exercez une légère pression ascendante. La scie aura tendance à se rapprocher de l'opérateur. Soyez préparé et maintenez fermement la scie pour garder le contrôle.



Fig. 21

## ÉLAGAGE

	<b>AVERTISSEMENT</b> : Ne pas couper à une hauteur supérieure aux épaules avec une scie à chaîne. Utilisez une scie à perche pour couper des branches au-dessus de la hauteur des épaules ou embauchez un professionnel pour le faire. Ne faites pas fonctionner l'appareil dans un arbre ou sur une échelle à moins d'être spécifiquement formé pour le faire.
	<b>AVERTISSEMENT</b> : Les branches qui tombent peuvent provoquer des blessures graves. Portez toujours une protection de la tête appropriée. Planifiez une voie d'évacuation à l'écart des branches qui tombent. Lors de la coupe, ne placez aucune partie du corps directement en dessous de la branche.

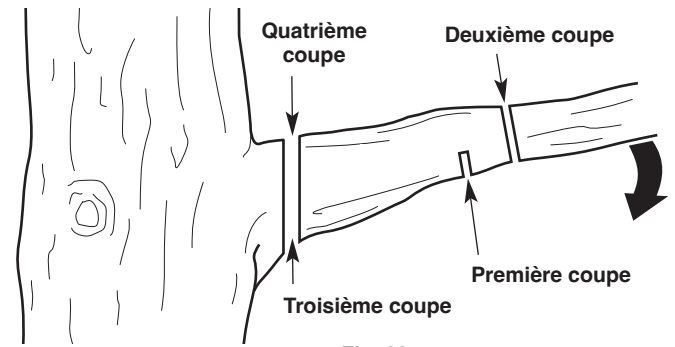


Fig. 22

L'élagage est le processus qui consiste à couper les branches d'un arbre vivant.

1. Faites la première coupe à environ 15 cm (6 po) du tronc de l'arbre. Coupez vers le haut, à partir de la face inférieure de la branche. Utilisez le haut de la barre de guidage pour faire de cette coupe. Coupez jusqu'au tiers du diamètre de la branche (Fig. 22).
2. Faites la deuxième coupe de 5 à 10 cm (2 à 4 po) plus loin sur la branche. Coupez vers le bas, à partir de la face supérieure de la branche. Utilisez le bas de la barre de guidage pour faire de cette coupe. Coupez complètement la branche (Fig. 22).
3. Faites la troisième coupe aussi près du tronc d'arbre que possible. Coupez vers le haut, à partir de la face inférieure de la souche. Utilisez le haut de la barre de guidage pour faire de cette coupe. Coupez jusqu'au tiers du diamètre de la branche (Fig. 22).
4. Faites la quatrième coupe directement au-dessus de la troisième coupe. Coupez vers le bas, à partir de la face supérieure de la souche. Utilisez le bas de la barre de guidage pour faire de cette coupe. Coupez complètement la branche afin d'aller rejoindre la troisième coupe (Fig. 22). Cela supprimera la souche.



**AVERTISSEMENT** : pour éviter toute blessure grave, arrêtez toujours le moteur et laissez-le refroidir avant de nettoyer ou de procéder à un entretien de l'appareil. N'effectuez jamais de nettoyage ou d'entretien lorsque l'appareil est en marche. Débranchez le fil de la bougie pour éviter un démarrage accidentel de l'appareil.



**AVERTISSEMENT** : portez des vêtements de protection et respectez toutes les consignes de sécurité pour éviter toute blessure grave.

## PROGRAMME D'ENTRETIEN

Effectuez ces procédures d'entretien obligatoires aux intervalles indiqués dans le tableau. Ces procédures doivent également faire partie d'une mise au point saisonnière.

Toutes les réparations, autres que les procédures de maintenance décrites dans ce manuel, doivent être effectuées par un centre de réparations agréé.

**REMARQUE** : certaines procédures d'entretien peuvent nécessiter des compétences ou des outils particuliers. Si vous avez des doutes concernant ces procédures, amenez l'appareil chez un revendeur agréé de MTD.

**REMARQUE** : l'entretien, le remplacement ou la réparation du système et des dispositifs de contrôle des émissions peuvent être réalisés par un revendeur agréé de MTD.

**REMARQUE** : veuillez lire la déclaration de l'État de Californie / EPA (agence de protection de l'environnement) qui est livrée avec l'appareil pour obtenir une liste complète des conditions et de la couverture des dispositifs antipollution, tels que le pare-étincelles, le pot d'échappement, le carburateur, etc.

## RESPONSABILITÉ DU CLIENT

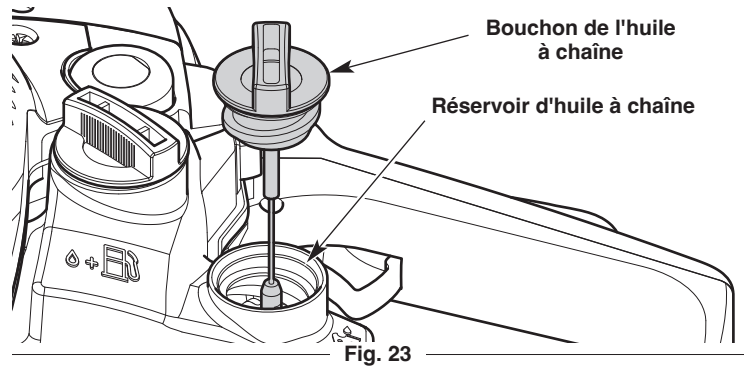
INTERVALLE	D'ENTRETIEN OBLIGATOIRE
Avant chaque utilisation	<ul style="list-style-type: none"> <li>• Vérifier le serrage des vis, des écrous et des boulons (serrer au besoin)</li> <li>• Vérifier les pièces endommagées ou usées*</li> <li>• Vérifier le tranchant de la chaîne de la tronçonneuse. Reportez-vous à <i>Affûtage de la chaîne</i>.</li> <li>• Tester le frein de la chaîne*. Reportez-vous à <i>Test du frein de la chaîne</i>.</li> <li>• Vérifier la tension de la chaîne (ajuster au besoin). Reportez-vous à <i>Réglage de la tension de la chaîne</i>.</li> <li>• Remplir le réservoir d'huile à chaîne (remplir fréquemment). Reportez-vous à <i>Ajout d'huile à guide-chaîne et à chaîne</i>.</li> <li>• Remplir le réservoir de carburant frais et correctement mélangé. Reportez-vous à la section <i>Huile et carburant</i>.</li> <li>• Nettoyer le filtre à air. Consultez la section <i>Entretien du filtre à air</i>.</li> </ul>
Après chaque utilisation	<ul style="list-style-type: none"> <li>• Nettoyer l'appareil et vérifier les décalcomanies. Reportez-vous à <i>Nettoyage</i> dans la section <i>Nettoyage et rangement</i>.</li> </ul>
Toutes les 10 heures	<ul style="list-style-type: none"> <li>• Vérifiez l'état de la bougie et l'écartement des électrodes. Consultez la section <i>Entretien de la bougie</i>.</li> <li>• Nettoyer la rainure du guide-chaîne et les passages d'huile. Lubrifiez la roulette. Reportez-vous à <i>Entretien de guide-chaîne</i>.</li> <li>• Nettoyer les ailettes du cylindre. Reportez-vous à <i>Nettoyage</i> dans la section <i>Nettoyage et rangement</i>.</li> </ul>

\* Si un entretien ou un remplacement est nécessaire, faites réparer l'appareil par un centre de réparations agréé MDT.

## AJOUT D'HUILE À GUIDE-CHAÎNE ET À CHAÎNE

**! DANGER** : Le fait de ne pas remplir le réservoir d'huile de la chaîne causera des dommages irréparables à l'appareil. Assurez-vous que le réservoir d'huile de la chaîne est toujours rempli. Utilisez toujours l'huile de la barre et de la chaîne.

**! AVERTISSEMENT** : L'huile s'écoule en permanence du réservoir d'huile à chaîne afin d'huiler la chaîne. Vérifiez fréquemment le niveau d'huile à chaîne afin qu'il ne descende pas à moins de la moitié.



Le guide-chaîne et la chaîne de scie nécessitent une lubrification pour minimiser la friction. Ne privez jamais le guide-chaîne et la chaîne d'huile de lubrification. Faire fonctionner l'appareil sans suffisamment d'huile diminuera l'efficacité de coupe, raccourcira la durée de vie de la chaîne, provoquera le ternissement rapide de la chaîne et l'usure excessive du guide-chaîne en raison de la surchauffe. Une quantité insuffisante d'huile de lubrification est mise en évidence par la fumée, la décoloration du guide-chaîne ou une accumulation de dépôts.

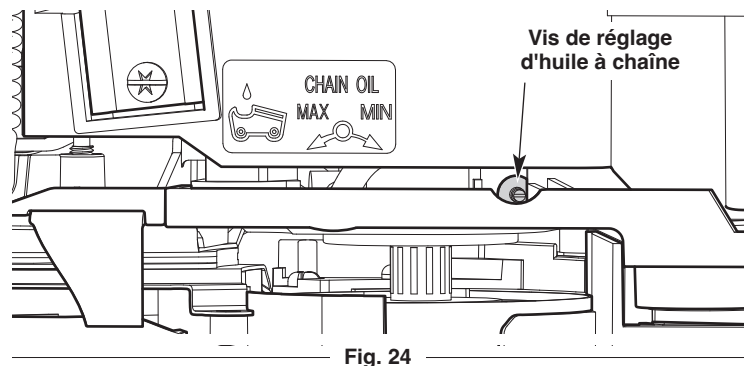
**REMARQUE** : Utilisez toujours de l'huile pour guide-chaîne et chaîne Troy-Bilt, conçue pour une performance optimale. D'autres lubrifiants peuvent encrasser ou endommager le répartiteur. Utilisez toujours une huile de haute qualité, biodégradable, pour lubrifier correctement la chaîne et le guide-chaîne de la scie. Lors du tronçonnage des arbres, il est recommandé d'utiliser une huile végétale pour le guide et la chaîne, car les huiles minérales peuvent endommager les arbres vivants. N'utilisez jamais d'huile sale, usagée ou contaminée. Cela pourrait endommager l'outil. Jetez l'huile usée conformément à la réglementation fédérale, provinciale et locale.

1. **Posez l'appareil sur une surface plane.**
2. Pour empêcher les débris de pénétrer dans le réservoir d'huile à chaîne, utilisez un chiffon humide pour nettoyer le bouchon d'huile et la zone environnante.
3. Dévissez le capuchon de l'huile à chaîne (Fig. 23).
4. Versez délicatement l'huile dans le réservoir d'huile à chaîne. **NE REMPLISSEZ PAS** trop.
5. Réinstallez le capuchon d'huile à chaîne. Serrez fermement le capuchon.
6. Essuyez toute huile déversée.

## AJUSTEMENT DU DÉBIT D'HUILE À BARRE-GUIDE ET D'HUILE À CHAÎNE

L'huile à guide-chaîne et à chaîne s'écoule lentement depuis le réservoir d'huile jusque sur la chaîne. Environ un réservoir d'huile à guide-chaîne et à chaîne est utilisé pour chaque réservoir de carburant.

1. Pour augmenter le débit d'huile, tournez la vis de réglage du graisseur automatique dans le sens antihoraire avec un tournevis à tête plate (Fig. 24).
2. Pour réduire le débit d'huile, tournez la vis de réglage du graisseur automatique dans le sens horaire avec un tournevis à tête plate (Fig. 24).



## RÉGLAGE DE LA TENSION DE LA CHAÎNE



**ATTENTION** : La tige de guidage, la chaîne et les roulements s'usent plus rapidement si la chaîne n'est pas correctement tendue. Le fait de maintenir une bonne tension de la chaîne permettra d'améliorer les performances de coupe et de prolonger la durée de vie de la chaîne.



**AVERTISSEMENT** : Pour éviter toute blessure grave, ne touchez jamais à la tronçonneuse ni n'ajustez la tension de la chaîne lorsque l'appareil est en marche. Débranchez le fil de la bougie pour éviter un démarrage accidentel de l'appareil.



**AVERTISSEMENT** : La chaîne de scie est extrêmement tranchante. Portez toujours des gants de protection robustes lors de la manipulation ou l'entretien de la tronçonneuse.

Vérifiez la tension de la chaîne avant et pendant le fonctionnement. La chaîne de scie s'allongera tandis qu'elle s'échauffe pendant le fonctionnement. Réglez la tension de la chaîne lorsque les méplats de la chaîne pendent hors de la rainure du guide-chaîne (Fig. 25 et Fig. 26).

**REMARQUE** : Une nouvelle chaîne tend à se détendre et à nécessiter un réajustement après aussi peu que cinq (5) coupes. Ceci est normal pendant la période de rodage. L'intervalle entre les futurs ajustements s'allongera rapidement.

1. Assurez-vous que le frein de chaîne est désengagé. Reportez-vous à *Test du frein de de chaîne* de la section *Assemblage*.
2. Utilisez l'outil pour scie à chaîne ou une clé de 13 mm (1/2 po) pour desserrer légèrement les écrous de retenue du guide-chaîne (Fig. 27). **NE PAS** retirer le revêtement de la barre.
3. Tenez la pointe de la tige de guidage et utilisez un tournevis à tête plate pour visser la vis de tension de chaîne (Fig. 27).
  - Tournez la vis de tension de la chaîne dans le sens horaire pour tendre la chaîne de la scie.
  - Tournez la vis de tension de la chaîne dans le sens antihoraire pour desserrer la chaîne de la scie.

La chaîne de la tronçonneuse doit être bien ajustée contre le dessous du guide-chaîne. Il ne doit y avoir aucun fléchissement (Fig. 26).

4. Continuez à tenir l'extrémité du guide-chaîne vers le haut et déplacez la chaîne le long du guide-chaîne dans un mouvement de va-et-vient (Fig. 28). Assurez-vous que la chaîne se déplace librement et qu'elle s'engrène correctement avec le pignon. Si la chaîne ne bouge pas facilement, tournez lentement la vis du tendeur de la chaîne dans le sens antihoraire pour la desserrer.

**REMARQUE** : La chaîne de la scie ne se déplace pas lorsque le frein de chaîne est engagé.

5. Continuez à tenir l'extrémité du guide-chaîne vers le haut et serrez fermement les écrous de fixation du guide-chaîne.



**ATTENTION** : Si la chaîne a été réglée à chaud, elle peut devenir trop serrée lorsqu'elle refroidit. Desserrez la tension de la chaîne après l'opération et vérifiez sa tension avant la prochaine utilisation.

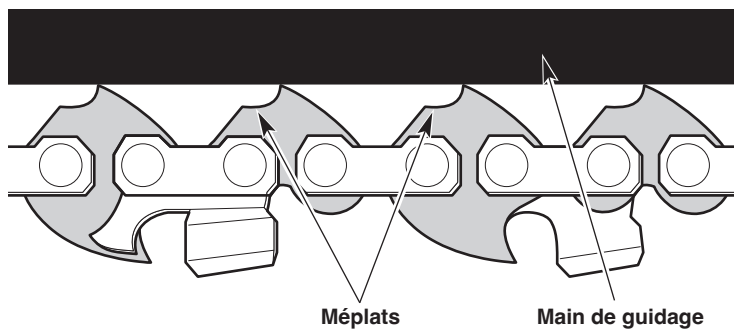


Fig. 25

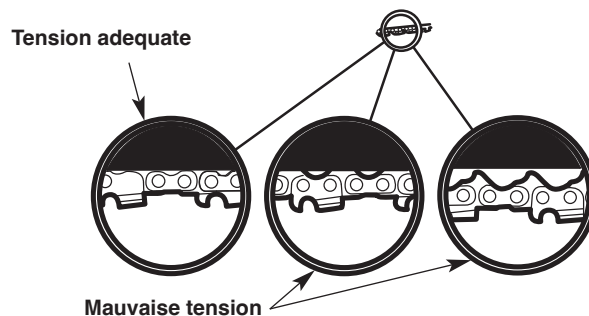


Fig. 26

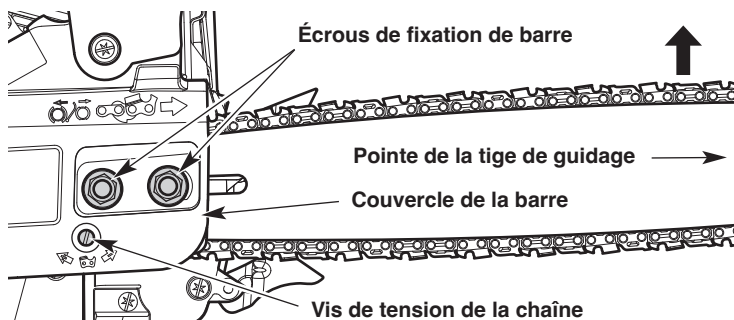


Fig. 27

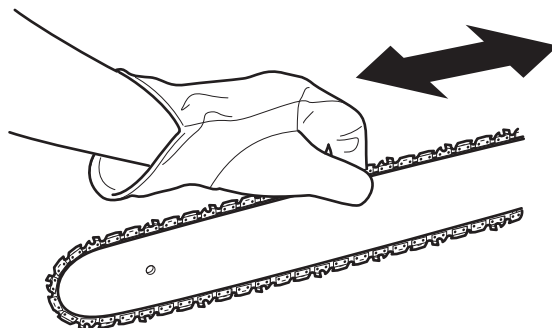


Fig. 28

## RETRAIT ET INSTALLATION DU GUIDE-CHAÎNE ET DE LA CHAÎNE



**AVERTISSEMENT** : La chaîne de scie est extrêmement tranchante. Portez toujours des gants de protection robustes lors de la manipulation ou l'entretien de la tronçonneuse.

Le guide-chaîne et la chaîne doivent être enlevés quand certaines procédures d'entretien sont effectuées, comme au moment de la rotation du guide-chaîne. Lors du remplacement des anciens guide-chaîne et chaînes de scie par de nouvelles pièces, utilisez toujours des pièces de rechange spécifiées par le fabricant. Reportez-vous à *Remplacement du guide-chaîne et de la chaîne*.

### Retrait du guide-chaîne et de la chaîne

1. Assurez-vous que le frein de chaîne est désengagé. Reportez-vous à *Test du frein de chaîne* de la section *Assemblage*.
2. Utilisez l'outil pour scie à chaîne ou une clé de 13 mm (1/2 po) pour desserrer les écrous de retenue du guide-chaîne (Fig. 29).
3. Retirez le couvercle de la barre et les écrous de retenue (Fig. 29).
4. Desserrez la chaîne. Reportez-vous à *Réglage de la tension de la chaîne*.
5. Enlevez le guide-chaîne et la chaîne des boulons du guide-chaîne (Fig. 31).
6. Enlevez la chaîne du guide-chaîne.

### Installation du guide-chaîne et de la chaîne

1. Déposez la chaîne sur une surface plate et propre et redressez tout entortillement.
2. Faites entrer la chaîne dans la rainure du guide-chaîne (Fig. 30). Assurez-vous que les couteaux pointent dans le bon sens de rotation (Fig. 30). Gardez une boucle de chaîne à l'extrémité arrière du guide-chaîne (Fig. 30).
3. Maintenez la chaîne et le guide-chaîne ensemble, en position sur l'appareil. Nouez la chaîne autour du pignon d'entraînement et installez le guide-chaîne sur les boulons du guide-chaîne (Fig. 31). Assurez-vous que le guide-chaîne est à plat contre la surface de montage. Assurez-vous que les méplats de la chaîne se trouvent dans les rainures sur le pignon d'entraînement.
4. Installez le couvercle du guide-chaîne. Assurez-vous que la goupille de tension de la chaîne se trouve dans son orifice sur le guide-chaîne (Fig. 32).
5. Placez les écrous du guide-chaîne sur les boulons du guide-chaîne et serrez-les manuellement. **NE PAS** serrer complètement les écrous de fixation du guide-chaîne.
6. S'assurer que la chaîne de la scie se trouve toujours dans la rainure de la barre de guidage. Ajuster la tension de la chaîne. Reportez-vous à *Réglage de la tension de la chaîne*.
7. Maintenez la pointe de la tige de guidage et serrez fermement les écrous de fixation de barre.

### ENTRETIEN DE LA CHAÎNE

Pour assurer un fonctionnement sûr et efficace, la chaîne doit être correctement entretenue.

La chaîne s'usera avec utilisation, provoquant l'étirement de la chaîne. C'est normal. Quand il n'est plus possible d'obtenir le réglage adéquat de la traction de la chaîne, celle-ci devra être réparée ou remplacée par un concessionnaire agréé. Reportez-vous à *Remplacement du guide-chaîne et de la chaîne*.

Gardez toujours la chaîne bien affûtée. Pendant le fonctionnement, gardez les yeux ouverts sur les indicateurs suivants d'une chaîne émoussée :

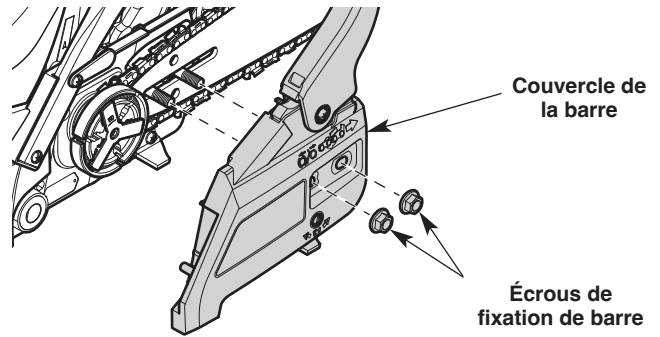


Fig. 29

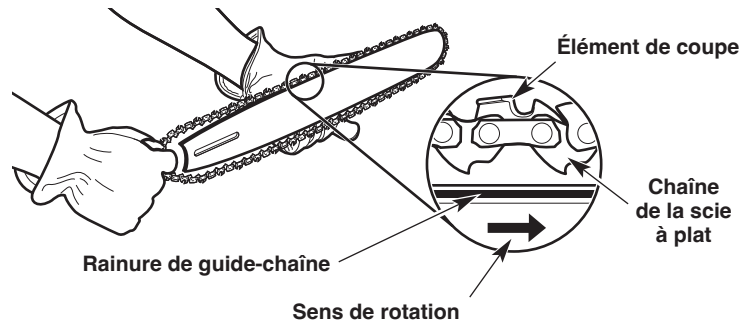


Fig. 30

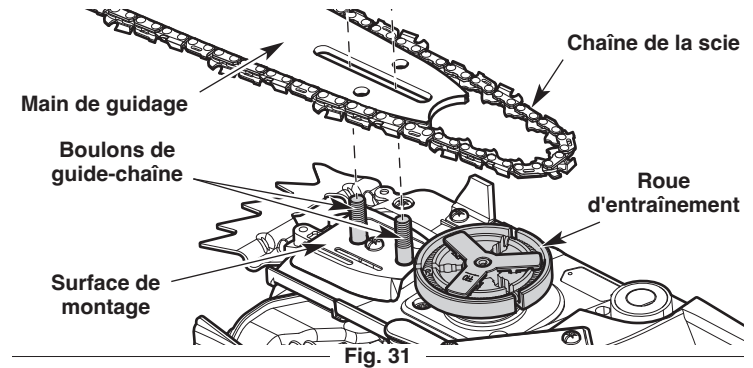


Fig. 31

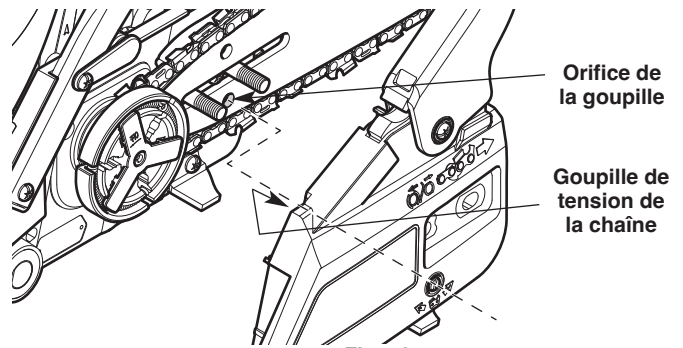


Fig. 32

- les copeaux de bois sont petits et poudreux.
- la chaîne de la tronçonneuse doit être forcée à travers le bois.
- la tronçonneuse coupe d'un côté.

Si l'une ou l'autre de ces conditions est présente, aiguissez ou remplacez la chaîne. Reportez-vous à *Affûtage de la chaîne* ou *Remplacement du guide-chaîne et de la chaîne*.

**REMARQUE :** Si vous ne comprenez pas complètement le processus d'affûtage adéquat d'une chaîne de scie après avoir lu les instructions, faites-la affûter par un centre de service autorisé ou remplacez-la.

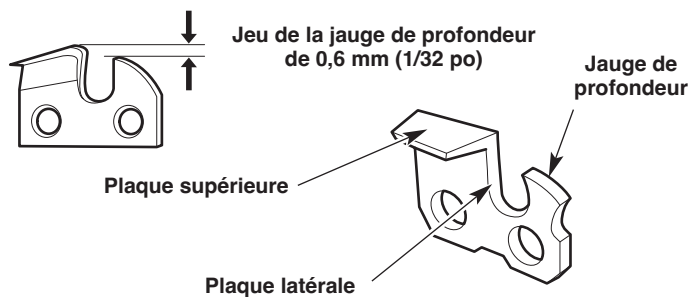


Fig. 33

## AFFÛTAGE DE LA CHAÎNE



**AVERTISSEMENT :** La chaîne de scie est extrêmement tranchante. Portez toujours des gants de protection robustes lors de la manipulation ou l'entretien de la tronçonneuse.



**AVERTISSEMENT :** Une chaîne de tronçonneuse mal affûtée augmente le risque de rebond. Ne pas remplacer ou entretenir correctement la tronçonneuse peut entraîner des blessures graves.



**ATTENTION :** Une chaîne émoussée ou incorrectement affûtée peut causer une vitesse excessive du moteur pendant le fonctionnement, ce qui peut entraîner de graves dommages au moteur.

Si la chaîne a été endommagée en entrant en contact avec des objets durs, comme des clous ou des pierres, ou qu'elle a été écorchée par la boue ou du sable sur le bois, faites aiguiser la chaîne de la tronçonneuse par un centre de réparations agréé.

Lors de l'affûtage de la chaîne, limez toutes les dents aux angles et mesures spécifiées. D'autres angles ou mesures peuvent entraîner une usure excessive du guide-chaîne et de la chaîne de la tronçonneuse, la chaîne risquera de s'émousser rapidement et d'augmenter le risque de rebond. Une coupe rapide ne peut être obtenue qu'avec des dents uniformes.

1. Serrez la tension afin que la chaîne soit bien tendue et ne vacille pas. Reportez-vous à *Réglage de la tension de la chaîne*.
  - limez toujours la chaîne de scie au point médian du guide-chaîne.
2. Utilisez une lime ronde et un porte-lime (outils non inclus) pour aiguiser la plaque supérieure et la plaque latérale de chaque élément de coupe.
  - Utilisez une lime d'un diamètre de 4 mm (5/32 po).
  - Maintenez la lime de niveau avec la plaque supérieure de l'élément de coupe (Fig. 33). Ne laissez pas la lime pencher ou basculer. Utilisez une pression légère, mais ferme.
  - Limez vers le coin avant de l'élément de coupe (Fig. 34). Soulevez la lime pour l'enlever du dispositif de coupe à la fin de la course vers l'avant. Ne limez que pendant la course vers l'avant.
  - Faites quelques mouvements fermes sur chaque dent. Si le limage est correctement effectué, la plaque supérieure sera à un angle de 30° et la plaque latérale à un angle de 80° (Fig. 35). L'utilisation de la lime et du porte-lime adéquats produira automatiquement les bons angles.
  - Limez tous les éléments de coupe de gauche dans un sens (Fig. 34). Ensuite, passez à l'autre côté de la chaîne et limez l'ensemble des éléments de coupe de droite dans le sens opposé (Fig. 34).
  - Enlevez parfois les dépôts de limage au moyen d'une brosse métallique.

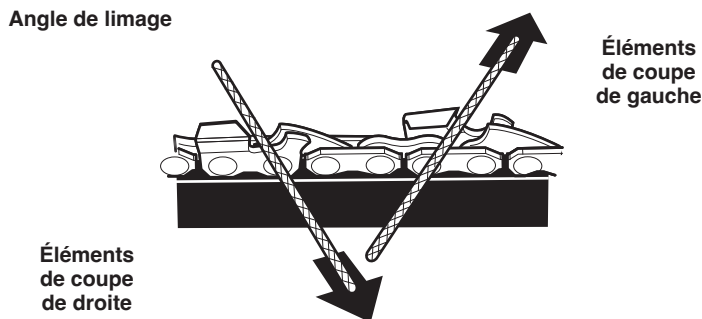


Fig. 34

### Angles de limage adéquats

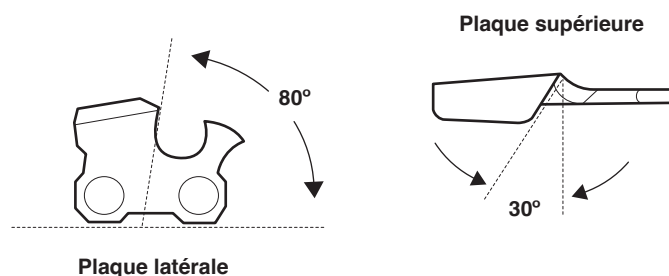


Fig. 35

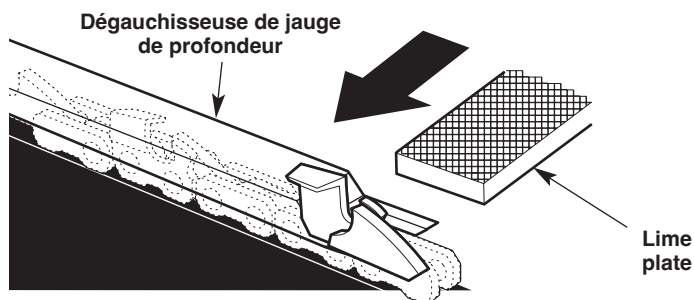


Fig. 36

- Utilisez une jauge de profondeur (non comprise) pour mesurer le jeu de jauge de profondeur (Fig. 36) de chaque coupe. Le jeu de la jauge de profondeur doit être maintenu à 0,6 mm (1/32 po). Le dégagement de la jauge de profondeur détermine la profondeur à laquelle l'outil de coupe pénètre dans le bois en cours de fonctionnement ainsi que la taille des copeaux de bois produits. Un jeu trop important augmente le risque de rebond. Un jeu trop réduit diminue la taille des copeaux de bois, diminuant ainsi la capacité de coupe.

- Utilisez une dégauchisseuse de jauge de profondeur 0,6 mm (1/32 po) et une lime plate (outils non compris) pour abaisser la jauge de profondeur au jeu adéquat (Fig. 36).
- Après avoir abaissé la jauge de profondeur, utilisez la lime plate pour restaurer la forme arrondie originale à la jauge de profondeur (Fig. 37). Prenez soin de ne pas endommager les bords tranchants ou les maillons à proximité.

Restaurer la forme arrondie originale

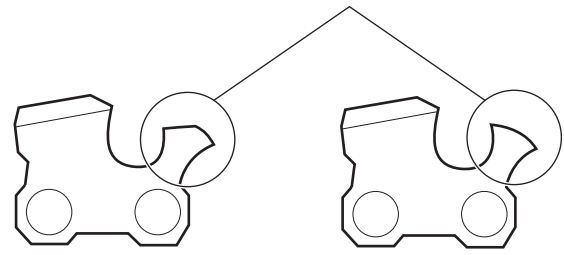


Fig. 37

### ENTRETIEN DE LA TIGE DE GUIDAGE

- Faites fréquemment pivoter la tige de guidage, à intervalles réguliers (par exemple, après 5 heures de fonctionnement), pour assurer une usure uniforme sur le dessus et le dessous de la tige de guidage. Reportez-vous à *Retrait et installation du guide-chaîne et de la chaîne*.
- Nettoyez la rainure de la tige de guidage et les passages d'huile chaque fois que la chaîne est enlevée, lorsque l'appareil a été largement utilisé ou lorsque la chaîne semble sale. Utilisez un tournevis, un couteau à mastic, une brosse d'acier ou un instrument similaire pour enlever les débris de la rainure de la tige de guidage (Fig. 38). Utilisez un petit fil souple pour enlever les débris du trou d'évacuation d'huile de la chaîne (Fig. 39).

**REMARQUE :** Si les passages d'huile sont dégagés, la chaîne vaporisera un peu d'huile peu de temps après qu'elle se mette à tourner pendant le fonctionnement.

- Vérifiez fréquemment la tige de guidage afin d'y déceler des signes de dommages (Fig. 40). L'usure irrégulière et l'ébarbage des rails de guidage (les nervures de chaque côté de la rainure de la tige) sont des processus normaux d'usure de la tige de guidage. Ces défauts doivent être limés dès qu'ils se produisent (Fig. 40). Une tige de guidage avec les défauts suivants doit être remplacée :
  - Usure à l'intérieur des rails de guidage qui permet à la chaîne de se coucher sur le côté.
  - Une tige de guidage courbée.
  - Des rails brisés ou fêlés.
  - Des rails écartés.

Reportez-vous à *Remplacement du guide-chaîne et de la chaîne*.

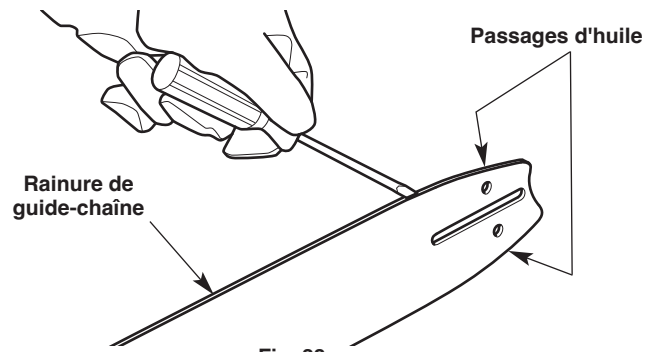


Fig. 38

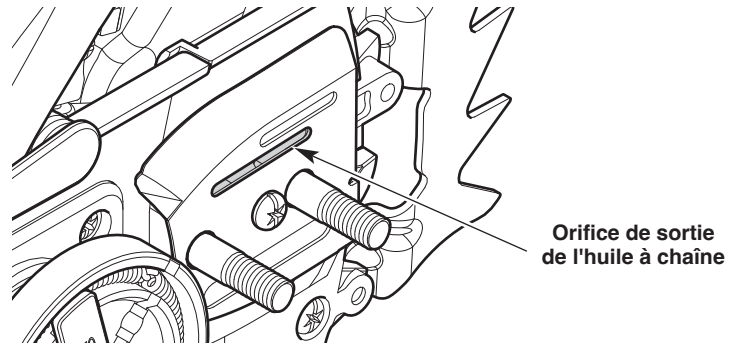


Fig. 39

### Lubrification de la roulette du guide-chaîne

La roulette du guide-chaîne a été lubrifiée à l'usine, mais nécessite une lubrification régulière. Le non-respect du graissage de l'extrémité du pignon du guide-chaîne risque d'amoinrir les performances, d'endommager l'appareil et d'annuler la garantie.

**REMARQUE :** Cette procédure peut être effectuée alors que le guide-chaîne et la chaîne sont toujours installés sur l'appareil.

- Nettoyez soigneusement le pignon du guide-chaîne avec un chiffon humide (Fig. 41).
- Utilisez un pistolet lubrifiant de guide-chaîne (non compris) pour injecter de la graisse dans l'orifice de lubrification (Fig. 41). Injectez de la graisse jusqu'à ce qu'elle apparaisse sur le bord extérieur de la roulette du guide-chaîne.
- Faites tourner manuellement la chaîne de la tronçonneuse. Portez toujours des gants épais. Assurez-vous que le frein de chaîne est désengagé.
- Répétez le processus de lubrification jusqu'à ce que la roulette entière du guide-chaîne soit lubrifiée.

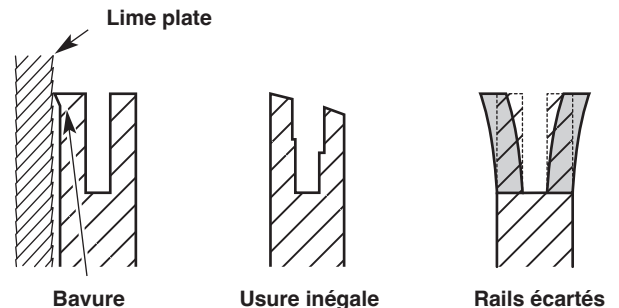


Fig. 40

## REPLACEMENT DU GUIDE-CHAÎNE ET DE LA CHAÎNE



**AVERTISSEMENT** : Utilisez toujours une scie à chaîne à faible rebond, ce qui réduit considérablement le risque de rebond. Une chaîne à faible risque de rebond n'élimine pas complètement le rebond. Un faible rebond et une « chaîne de sécurité » ne doivent jamais être considérés comme une protection totale contre les blessures.

Lors du remplacement du guide-chaîne et de la chaîne, n'utilisez que les pièces de rechange spécifiées par le fabricant ou leurs équivalents. Reportez-vous aux *Pièces de rechange*. L'utilisation de pièces ou d'accessoires non autorisés peut entraîner des blessures sérieuses à l'opérateur ou endommager l'appareil et annuler la garantie. Utilisez toujours une scie à chaîne de remplacement désignée comme étant à faible risque de rebond ou une scie à chaîne qui répond aux exigences de rendement à faible rebond. Une chaîne de scie standard (une chaîne qui n'a pas de liens antirebond) doit être utilisée uniquement par un opérateur de scie à chaîne professionnel et expérimenté.

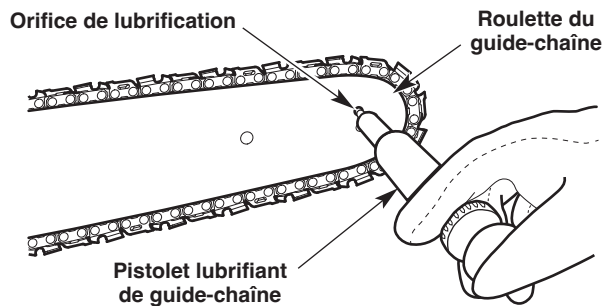


Fig. 41

## ENTRETIEN DU FILTRE À AIR



**AVERTISSEMENT**: Afin d'éviter des blessures graves, arrêtez toujours l'appareil et laissez-le refroidir avant tout nettoyage ou entretien.

Tout défaut d'entretien du filtre à air peut entraîner une baisse des performances ou endommager le moteur de façon irrémédiable. Une panne de moteur due à un mauvais entretien du filtre à air n'est pas couverte par la garantie.

### Nettoyage du filtre à air

1. Tournez le bouton situé sur le couvercle du filtre à air dans le sens antihoraire pour desserrer le couvercle (Fig. 42).
2. Retirez le couvercle du filtre à air (Fig. 42).
3. Déposer le filtre à air (Fig. 43).
4. Lavez le filtre à air dans un détergent doux et de l'eau. Rincez soigneusement le filtre à air et laissez-le sécher.
5. Remettez le filtre à air sur la tige de montage (Fig. 43). Assurez-vous que l'ouverture dans le filtre à air tient bien dans la prise d'air (Fig. 43).

**REMARQUE** : Faire fonctionner l'appareil sans filtre à air et couvercle de filtre à air annulera la garantie. Gardez une provision de filtres à air de rechange.

6. Remettez le couvercle du filtre à air sur l'appareil. Insérez les deux languettes du couvercle du filtre à air dans les deux fentes du carter de la scie à chaîne (Fig. 42).
7. Tournez le bouton dans le sens des aiguilles d'une montre pour bien serrer le couvercle du filtre à air.

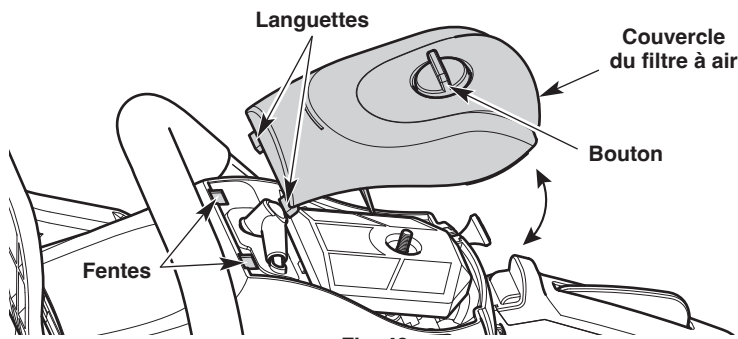


Fig. 42

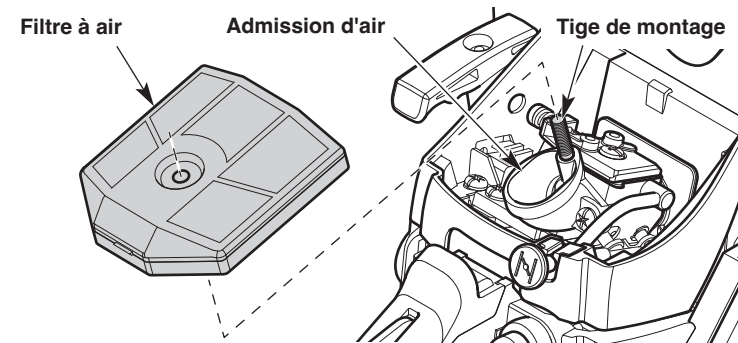


Fig. 43

## RÉGLAGE DU RALENTI



**AVERTISSEMENT** : La chaîne de scie peut tourner pendant le réglage du ralenti. Portez des vêtements de protection et respectez toutes les consignes de sécurité pour éviter des blessures graves.

Si le moteur ne tourne pas correctement au ralenti :

1. Démarrez le moteur. Consultez les sections *Mise en marche et Arrêt*.
2. Relâchez la manette des gaz et laissez le moteur tourner au ralenti.
  - Si le moteur s'arrête, augmentez le régime de ralenti. Utilisez un petit tournevis cruciforme pour tourner la vis de ralenti vers la droite, de 1/8 de tour à la fois, et ce, jusqu'à ce que le moteur tourne bien au ralenti (Fig. 44).
  - Si la chaîne de la scie tourne lorsque le moteur tourne au ralenti, réduisez le régime de ralenti. Tournez la vis de ralenti dans le sens antihoraire, 1/8 de tour à la fois, jusqu'à ce que la chaîne de la scie s'arrête (Fig. 44).

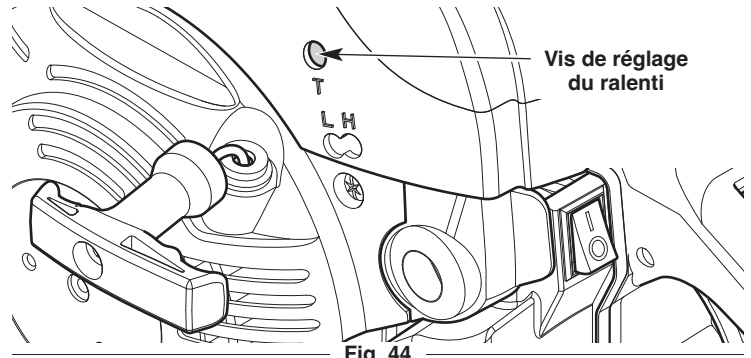


Fig. 44

## ENTRETIEN DE LA BOUGIE D'ALLUMAGE

1. Arrêtez le moteur et laissez-le refroidir.
2. Tournez le bouton situé sur le couvercle du filtre à air dans le sens antihoraire pour desserrer le couvercle (Fig. 42).
3. Retirez le couvercle du filtre à air (Fig. 42).
4. Saisissez fermement la coiffe de la bougie d'allumage et retirez-la de la bougie d'allumage (Fig. 45).
5. Nettoyez bien l'espace autour de la bougie d'allumage. Retirez la bougie d'allumage de la culasse en tournant vers la gauche l'outil pour scie à chaîne ou une clé à douille de 5/8 po.



**AVERTISSEMENT**: Ne jamais gratter, sabler ou nettoyer les électrodes de la bougie d'allumage. De la poussière de grain dans le moteur pourrait endommager le cylindre.

6. Inspectez la bougie. Si la bougie est fissurée ou encrassée, remplacez-la par une pièce de rechange n°794-00204, une bougie Torch CMR7H ou équivalent.
7. Utilisez une jauge d'épaisseur pour régler l'écartement à **0,635 mm (0,025 po)** (Fig. 46).
8. Installez la bougie d'allumage dans la tête du cylindre. Serrez la bougie d'allumage en tournant vers la droite l'outil pour scie à chaîne ou une clé à douille de 5/8 po.

**REMARQUE** : Si vous utilisez une clé dynamométrique, serrez à : **12,3 à 13,5 N·m (110 à 120 po·lb)**. **Ne serrez pas trop fort.**

9. Rattachez la coiffe de la bougie d'allumage.
10. Remettez le couvercle du filtre à air sur l'appareil. Insérez les deux languettes du couvercle du filtre à air dans les deux fentes du carter de la scie à chaîne (Fig. 42).
11. Tournez le bouton dans le sens des aiguilles d'une montre pour bien serrer le couvercle du filtre à air.

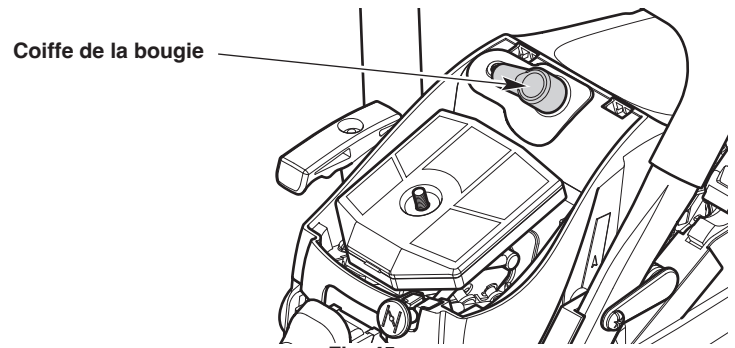


Fig. 45

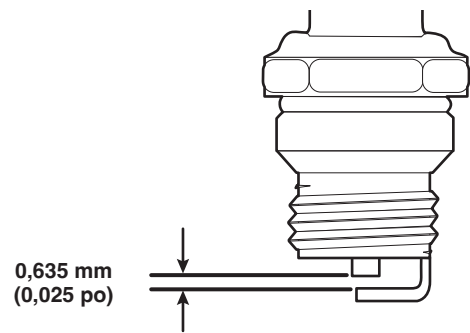


Fig. 46

## NETTOYAGE



**AVERTISSEMENT:** Afin d'éviter des blessures graves, arrêtez toujours l'appareil et laissez-le refroidir avant tout nettoyage ou entretien.

1. Desserrez la chaîne si la tension a été ajustée en cours de fonctionnement. La chaîne se contractera pendant que l'unité se refroidit, ce qui pourrait endommager l'appareil si la chaîne est trop tendue.
2. Nettoyez l'appareil avec un chiffon humide. N'éteignez pas l'appareil avec de l'eau. N'utilisez pas de détergents agressifs. Des produits d'entretien ménagers contenant des huiles aromatiques, telles que le pin ou le citron, et des solvants tels que le kérosène, peuvent endommager le plastique.

**REMARQUE :** Lors de la préparation du rangement de l'appareil pour une longue durée (30 jours ou plus), retirez le guide-chaîne et la chaîne. Nettoyez soigneusement le couvercle du guide-chaîne, la surface de montage du guide-chaîne et la roue dentée. Utilisez une brosse non métallique rigide pour nettoyer la rainure du guide-chaîne. Remontez l'appareil.

3. Essuyez toute trace d'humidité avec un chiffon doux.
4. Utilisez de l'air comprimé, jusqu'à 40 livres par pouce carré, pour souffler les débris des ailettes du cylindre (Fig. 47). Les ailettes du cylindre doivent être régulièrement nettoyées pour réduire le risque de blessures ou de dommages à l'appareil à la suite d'un incendie. Portez toujours des lunettes de sécurité lors de l'utilisation d'air comprimé. N'utilisez pas d'eau ou d'autres liquides pour nettoyer les ailettes du cylindre. Utilisez une petite brosse métallique pour enlever les débris tenaces. Si une quantité importante de débris demeure présente, faites nettoyer l'appareil par un centre de réparations agréé.
5. Enduisez légèrement la tige de guidage et la chaîne avec une huile anticorrosion.

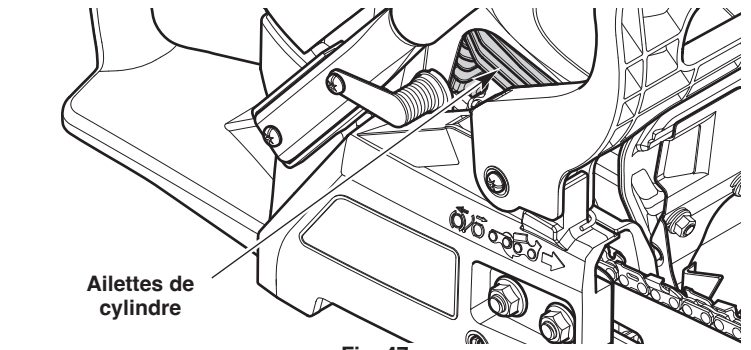


Fig. 47

## ENTREPOSAGE

- Desserrez la chaîne si la tension a été ajustée en cours de fonctionnement. La chaîne se contractera pendant que l'unité se refroidit, ce qui pourrait endommager l'appareil si la chaîne est trop tendue.
- Laissez le moteur refroidir avant d'entreposer l'appareil.
- Nettoyez soigneusement l'appareil et inspectez-le méticuleusement pour vérifier s'il n'y a pas de pièces détachées ou endommagées. Réparez ou remplacez les pièces endommagées et serrez tous les boulons, écrous et vis desserrés.
- Couvrez le guide et la chaîne avec le fourreau.
- N'entreposez jamais un appareil à moteur à essence là où les vapeurs peuvent entrer en contact avec une source de flammes ou d'étincelles.
- Rangez l'appareil sous clef pour éviter tout usage non autorisé et pour éviter qu'il soit endommagé.
- Entreposez l'appareil dans un endroit sec et bien aéré.
- Entreposez l'appareil hors de la portée des enfants.

**REMARQUE :** Il est normal que de l'huile à chaîne et à guide-chaîne suinte de l'appareil lorsqu'il n'est pas utilisé. Veuillez prendre ceci en considération lorsque vous rangez l'appareil.

### Entreposage à long terme (30 jours ou plus)

1. Retirez le bouchon du réservoir de carburant et penchez l'appareil de façon à vider le carburant dans un récipient approprié. Remettez en place le bouchon du réservoir de carburant.
2. Démarrez le moteur et laissez-le tourner jusqu'à ce qu'il s'arrête par faute d'essence. Ceci vous assure que le carburateur est bien vide.
3. Laissez refroidir le moteur. Retirez la bougie d'allumage et versez 5 gouttes d'une huile moteur de haute qualité ou d'une huile pour moteur à 2 temps dans le cylindre. Tirez lentement sur le cordon de démarrage pour bien répartir l'huile. Remettez la bougie en place.

### Préparation de l'appareil après un entreposage de longue durée

1. Retirez la bougie d'allumage. Basculez l'appareil et vidangez toute l'huile du cylindre dans un récipient approuvé. Réinstallez la bougie.

**REMARQUE :** n'utilisez pas un carburant qui a été entreposé pendant plus de 30 jours. Jetez l'huile et l'essence usagées conformément à la réglementation fédérale, provinciale et locale.

## RÉSOLUTION DES PROBLÈMES

PROBLÈME	SOLUTION
<b>LE MOTEUR NE DÉMARRE PAS</b>	
Le réservoir de carburant est vide	Remplissez le réservoir de carburant avec du carburant correctement mélangé
La poire d'amorçage n'a pas été suffisamment pressée	Pressez la poire d'amorçage 10 fois ou jusqu'à ce que le carburant soit visible
Le moteur est noyé	Déplacez le levier de l'étrangleur en position 2, appuyez sur le blocage de l'accélérateur, enfoncez la manette des gaz et tirez sur la corde démarrage.
Le carburant est vieux (plus de 30 jours) et/ou incorrectement mélangé	Videz tout le carburant du réservoir et remplissez-le avec du carburant frais, correctement mélangé
La bougie ne fonctionne pas correctement	Reportez-vous à <i>Entretien de la bougie</i>
L'interrupteur Marche/Arrêt est en position Arrêt ( O )	Déplacez l'interrupteur Marche/Arrêt en position Marche (O)
<b>LE MOTEUR NE TOURNE PAS AU RALENTI</b>	
Le filtre à air est sale	Nettoyez ou remplacez le filtre à air
Le carburant est vieux (plus de 30 jours) et/ou incorrectement mélangé	Videz tout le carburant du réservoir et remplissez-le avec du carburant frais, correctement mélangé
La vitesse de ralenti est inappropriée	Réglez la vitesse de ralenti
<b>LE MOTEUR N'ACCÉLÈRE PAS</b>	
Le carburant est vieux (plus de 30 jours) et/ou incorrectement mélangé	Videz tout le carburant du réservoir et remplissez-le avec du carburant frais, correctement mélangé
Le filtre à air est sale	Nettoyez ou remplacez le filtre à air
<b>LE MOTEUR MANQUE DE PUISSANCE OU CALE</b>	
Le carburant est vieux (plus de 30 jours) et/ou incorrectement mélangé	Videz tout le carburant du réservoir et remplissez-le avec du carburant frais, correctement mélangé
Le filtre à air est sale	Nettoyez ou remplacez le filtre à air
La bougie ne fonctionne pas correctement	Reportez-vous à <i>Entretien de la bougie</i>
<b>LA CHAÎNE DE LA SCIE SORT DE LA BARRE DE GUIDAGE</b>	
Une tension de la chaîne est insuffisante	Ajuster la tension de la chaîne de la scie
La barre de guidage et la chaîne de la scie ne sont pas correctement assemblées	Reportez-vous à <i>Retrait et installation du guide-chaîne et de la chaîne</i>
<b>LA BARRE DE GUIDAGE ET LA CHAÎNE DE LA SCIE FONCTIONNENT À UNE TEMPÉRATURE ÉLEVÉE, PRODUISENT DE LA FUMÉE OU SONT COINCÉS</b>	
La tension de la chaîne de la scie est trop serrée	Ajuster la tension de la chaîne de la scie
Le réservoir d'huile de la chaîne est vide	Remplir le réservoir d'huile de la chaîne
La rainure du guide-chaîne et les passages d'huile sont sales	Nettoyez le guide-chaîne et les passages d'huile
Le débit de graissage automatique est trop faible	Augmentez le débit d'huile
<b>LA CHAÎNE DE LA SCIE NE TOURNE PAS</b>	
La tension de la chaîne de la scie est trop serrée	Ajuster la tension de la chaîne de la scie
La barre de guidage et la chaîne de la scie ne sont pas correctement assemblées	Reportez-vous à <i>Retrait et installation du guide-chaîne et de la chaîne</i>
La barre de guidage et la chaîne de la scie sont endommagées	Inspecter la barre de guidage et la chaîne de la scie pour la présence de dommages. Les remplacer au besoin
L'assemblage d'entraînement est endommagé	Se reporter aux informations sur le <i>Service</i>
Le frein de chaîne est engagé	Désengagez le frein à chaîne

PROBLÈME	SOLUTION
<b>LA CHAÎNE DE LA SCIE TOURNE, MAIS NE COUPE PAS</b>	
La chaîne de la scie est émoussée	Aiguiser ou remplacer la chaîne
La chaîne de la scie est posée à l'envers	Vérifier et corriger la direction de la chaîne de la scie

**Si une assistance supplémentaire est nécessaire, communiquer avec un atelier de réparation agréé.**

## GARANTIE LIMITÉE DU FABRICANT POUR :



La garantie limitée énoncée ci-après est accordée par Troy-Bilt LLC (« Troy-Bilt ») et s'applique aux produits neufs achetés et utilisés aux États-Unis, ses possessions et territoires.

Troy-Bilt garantit ce produit contre tout défaut de pièces et de main d'œuvre pendant une période de deux (2) ans à compter de la date d'achat initiale et s'engage à titre gratuit à réparer ou à remplacer, à sa discrétion, toute pièce présentant un défaut de pièces et de main d'œuvre. Cette garantie limitée s'applique uniquement si le produit a été utilisé et entretenu conformément aux instructions du manuel de l'opérateur livré avec le produit, et qu'il n'a pas fait l'objet d'une utilisation inadéquate, abusive, commerciale ou négligente, d'un accident, d'un entretien inapproprié, d'une modification, d'un acte de vandalisme, d'un vol, d'un incendie, d'une inondation ou d'un dommage découlant d'une catastrophe naturelle ou autre. Tout dommage découlant de l'installation ou de l'utilisation d'une pièce ou d'un accessoire non approuvé par Troy-Bilt avec le(s) produit(s) couvert(s) dans le présent manuel annulera la garantie quant aux dommages qui en résulteraient. La présente garantie est limitée à quatre-vingt-dix (90) jours à compter de la date d'achat initiale d'un produit Troy-Bilt utilisé à des fins locatives ou commerciales, ou toute utilisation produisant des revenus.

**OBTENTION DU SERVICE DE GARANTIE :** le service de garantie est disponible SUR PRÉSENTATION D'UNE PREUVE D'ACHAT AUPRES DE VOTRE CENTRE DE RÉPARATION LOCAL AGREE. Pour trouver le revendeur le plus proche, visitez notre site Internet sur [www.troybilt.com](http://www.troybilt.com) ou [www.troybilt.ca](http://www.troybilt.ca), consultez les pages jaunes, téléphonez au **1-800-828-5500** ou **1-800-668-1238** au Canada, ou adressez un courrier à P.O. Box 361131, Cleveland, OH 44136-0019. Aucun produit retourné directement à l'usine ne sera accepté si le service à la clientèle de Troy-Bilt n'a pas accordé une autorisation préalable et écrite au client.

### Cette garantie limitée ne s'applique pas dans les cas suivants :

- A. Mises au point : bougies, réglages du carburateur, filtres
- B. Éléments d'usure : boutons de butée, bobines extérieures, fil de coupe, moulins, poulie du démarreur, câbles de démarreur, courroies d'entraînement, chaînes de scie, barres de guidage, couteaux de cultivateur, lames.
- C. Troy-Bilt n'accorde aucune garantie pour les produits vendus ou exportés des États-Unis d'Amérique, ses possessions et territoires, à l'exception des produits vendus par le biais du réseau agréé de distribution à l'exportation de Troy-Bilt.

Troy-Bilt se réserve le droit de modifier ou d'améliorer la conception de ses produits sans pour autant assumer l'obligation de modifier tout produit de fabrication plus ancienne.

**Aucune garantie implicite, y compris toute garantie de qualité marchande ou d'adéquation à un usage particulier, n'est valable après la période applicable de la garantie expresse et écrite ci-dessus concernant les pièces qui sont identifiées. Aucune autre garantie expresse, écrite ou orale, à l'exception de celle mentionnée ci-dessus, accordée par toute personne ou entité, y compris un revendeur ou un distributeur, concernant tout produit ne peut engager Troy-Bilt. Pendant la période de garantie, l'unique recours est la réparation ou le remplacement du produit dans les conditions énoncées ci-dessus.** (Certains états n'autorisent pas la limitation de la durée d'une garantie implicite ; de ce fait, les limitations ci-dessus peuvent ne pas vous concerner.)

**Les dispositions énoncées dans la présente garantie constituent le recours unique et exclusif inhérent à la vente. Troy-Bilt ne sera pas tenu responsable des pertes ou dommages accessoires ou indirects, y compris sans aucune limite, les dépenses découlant de l'utilisation de services de remplacement ou de substitution pour l'entretien de votre pelouse, du transport ou des dépenses associées, ou de la location permettant le remplacement temporaire d'un produit garanti.** (Certains états n'autorisent pas la limitation de la durée d'une garantie implicite ; de ce fait, les limitations ci-dessus peuvent ne pas vous concerner.)

Aucun recouvrement de quelque nature qu'il soit ne pourra dépasser le prix d'achat du produit vendu. Toute modification des dispositifs de sécurité du produit annulera cette garantie. Vous assumez le risque et la responsabilité résultant d'une perte, d'un dommage ou d'un préjudice que vous et vos biens et /ou que d'autres personnes et leurs biens pourront encourir du fait de l'utilisation normale ou abusive ou de l'incapacité à utiliser ce produit.

Cette garantie limitée ne doit en aucun cas inclure toute personne autre que l'acheteur d'origine, le preneur initial ou la personne à laquelle le produit a été offert.

**Rapport de cette garantie avec les lois de chaque état :** la présente garantie vous confère certains droits juridiques spécifiques, et vous pouvez bénéficier d'autres droits qui varient d'un état à l'autre.

Pour trouver le centre de réparation le plus proche, composez le **1-800-828-5500** aux États-Unis ou le **1-800-668-1238** au Canada.

**TROY-BILT LLC**

P.O. Box 361131  
Cleveland, OH 44136-0019



