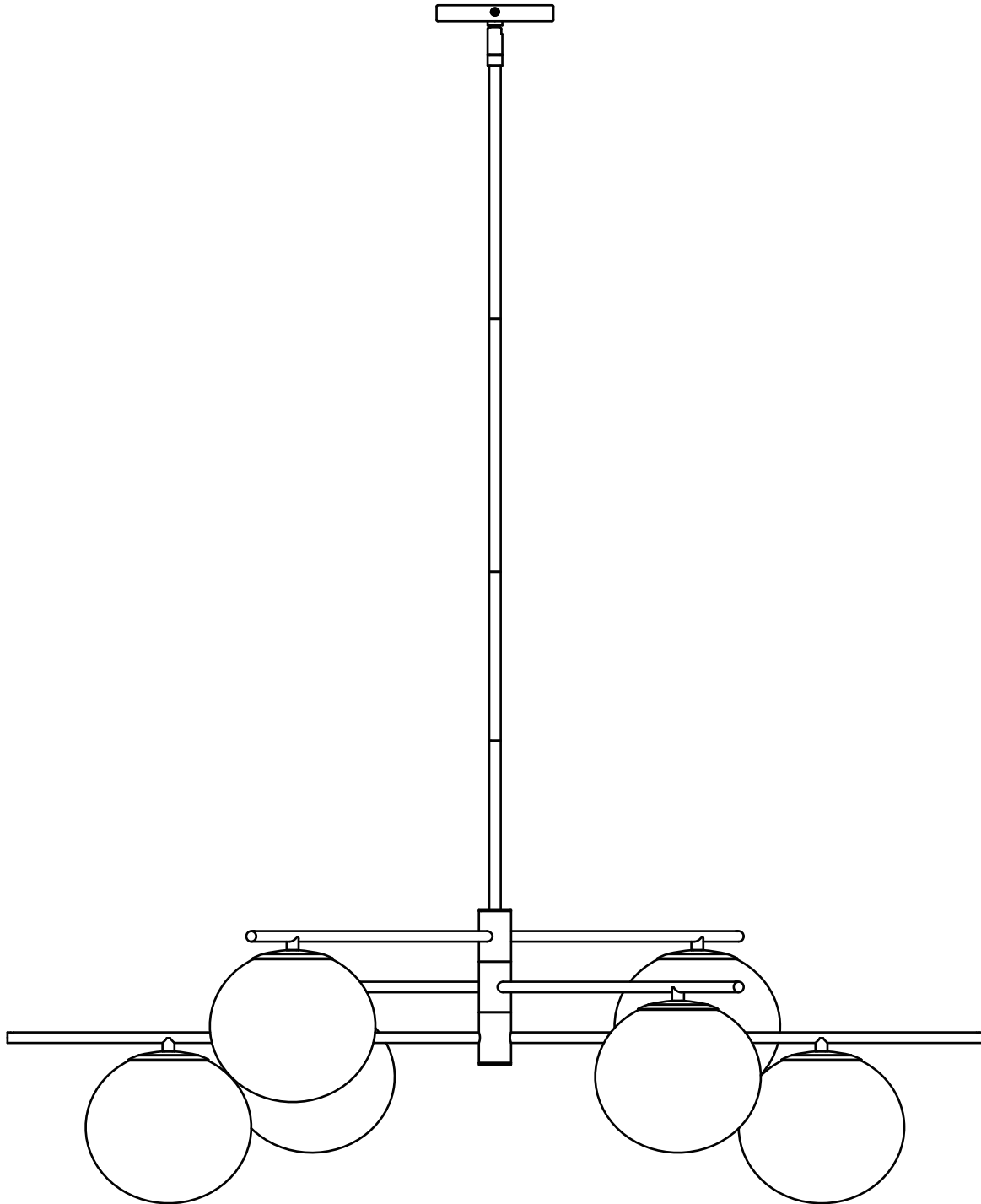


Cedric 6-Light Chandelier (AU Ver)



Hello there.

We're so glad that our Castlery product has found a home with you. As proud makers of modern, quality furniture, we're confident that you will love and enjoy your purchase.

Setting it up is easy. Read on for a step-by-step guide to have your item assembled and ready for use.

Once you're done, consider sharing a photo on social media or leaving us a review. We'd love to see how you've styled it in your space.

Thank you for being part of the Castlery community!

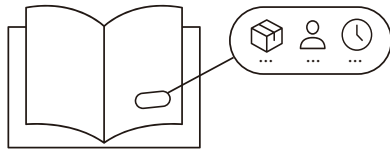
Contact us.

For any enquiries or issues regarding your purchase, you can contact us via www.castlery.com/contact-us.

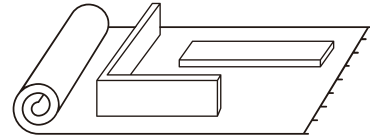




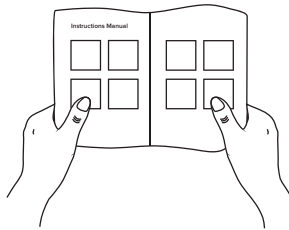
Before you start...



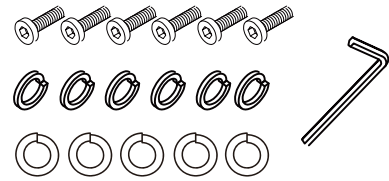
Check that you have received all cartons and familiarize yourself with the assembly requirements. This includes setting aside the allocated time required and having someone to assist you, if needed.



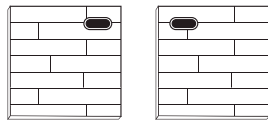
Ensure enough space for assembly. We recommend protecting your floor with a mat or cardboard to avoid scratches during the assembly process.



Read instructions carefully, and check that no parts are missing.



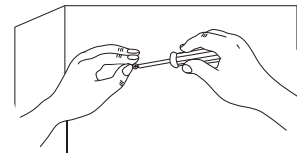
Lay out all hardware on a soft surface so you can easily identify them.



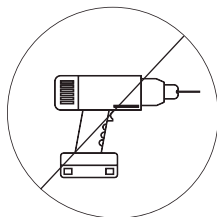
LEFT

RIGHT

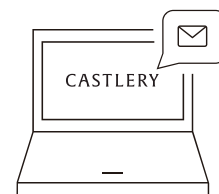
Carefully identify all components to differentiate which pieces are left and right.



Carefully install your new product following the instructions stated. Don't skip ahead!

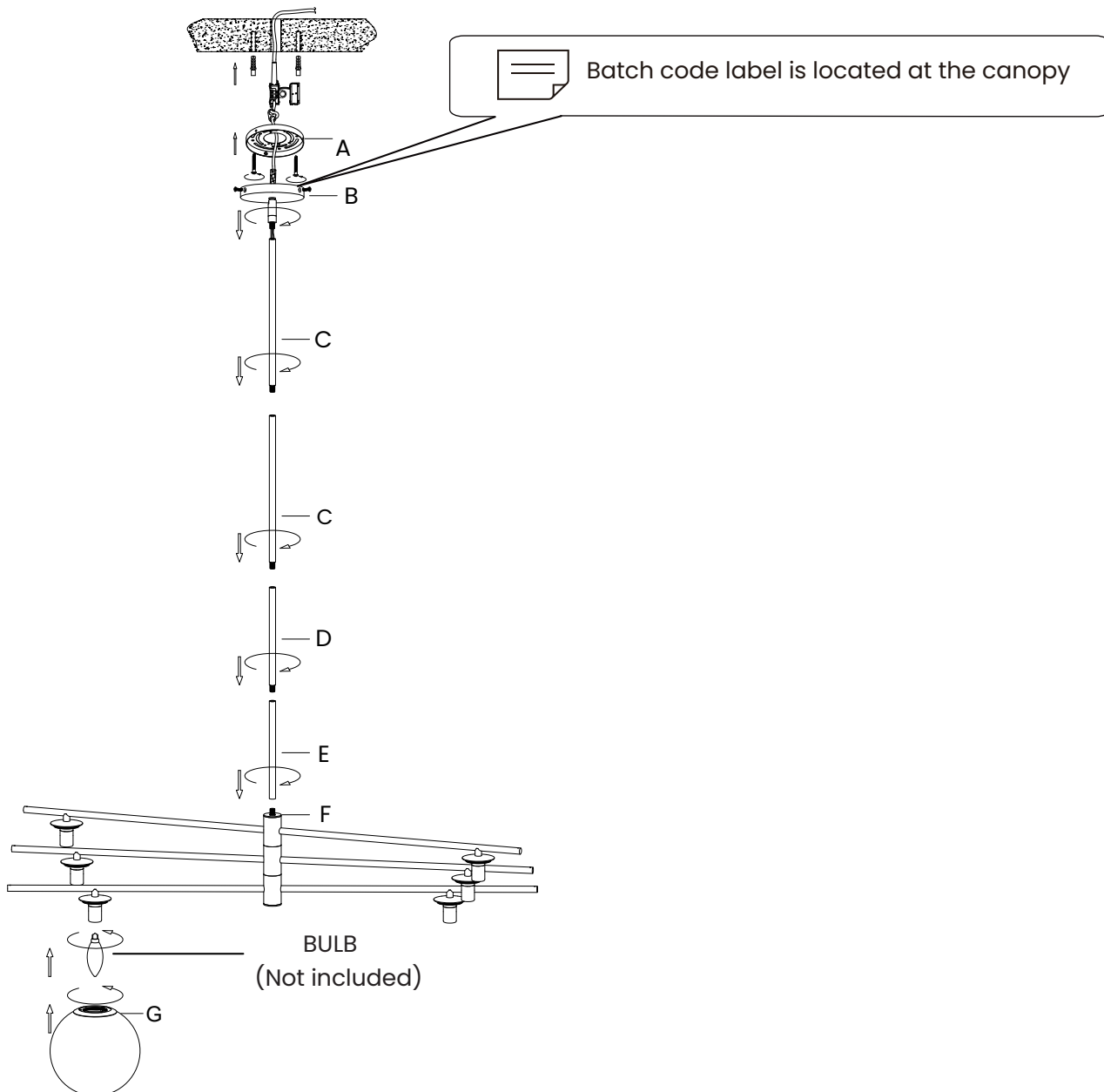





DO NOT over-tighten screws or use a drill. Only professional assemblers should use a drill.








If you need further assistance, please contact us via www.castlery.com/contact-us.

Overview

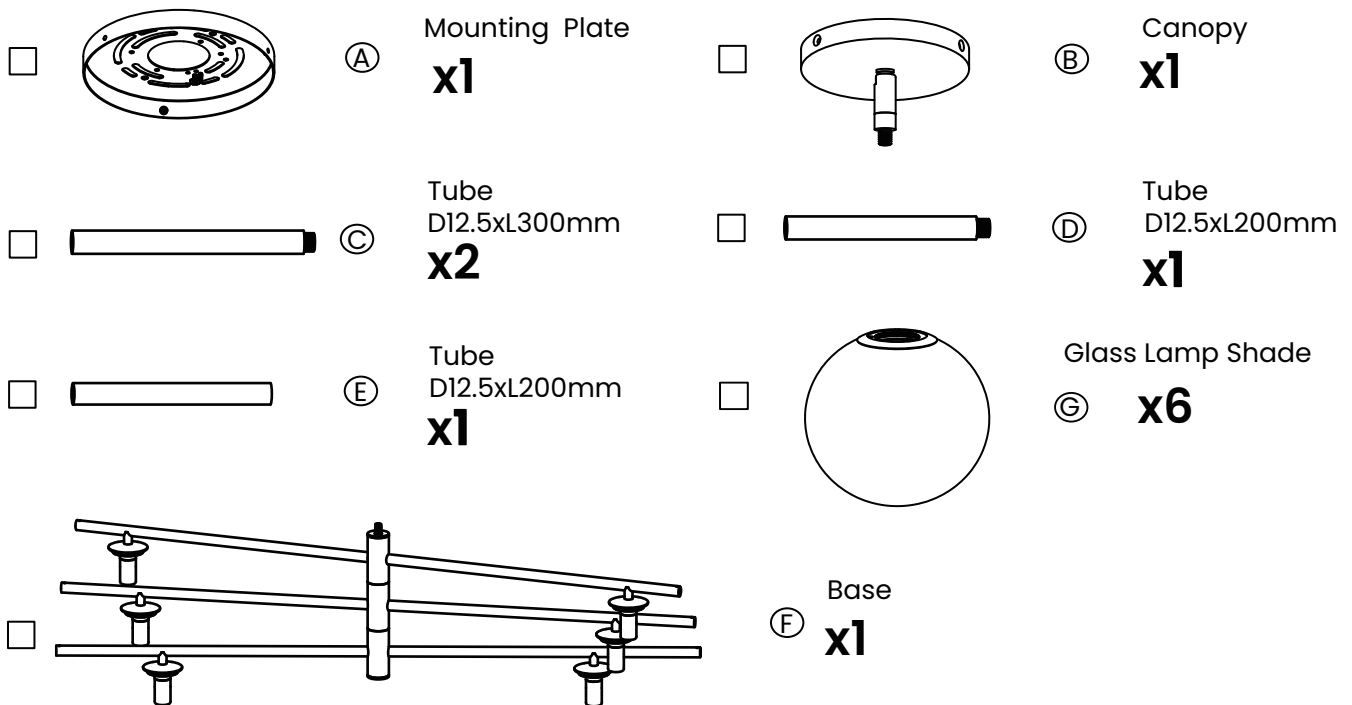


 **x1**  **x2**  **10 mins**

-  **IMPORTANT: 2 persons needed for assembly.**
This will help to minimize potential damage to the product or injury to persons during assembly.
-  There are inner box(es) that include components required to complete this assembly.
-  Please do not completely tighten all the hardware, until each assembly step is complete.
-  Before discarding the packaging, please use the checklist to ensure that you have all the parts required to assemble your product. Please kindly note you will need the original package if you want to return the product later.
-  If parts are missing or damaged, we will gladly ship your replacements parts free of charge. Please contact us via www.castlery.com/contact-us. Illustrations in this guide are for reference only and may be slightly different from the actual object.

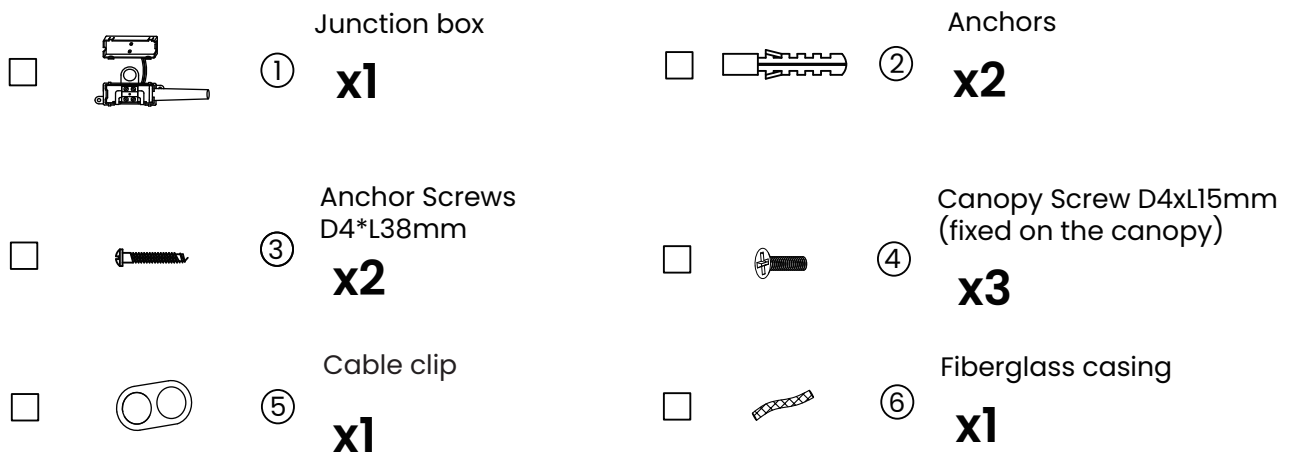
Parts

BOX 1 OF 1



Hardware

BOX 1 OF 1



Product information

- Indoor use only
- Non-dimmable
- Clean the fitting with a soft dry cloth
- It is recommended to use the product in indoor temperature less than 40 degrees



CAUTION:

- BEFORE INSTALLING FIXTURE, MAKE SURE THE POWER TO THE CIRCUIT IS TURNED OFF AT THE MAIN FUSE BOX / CIRCUIT BREAKER UTILITY BOX.

Important Safety Instructions:

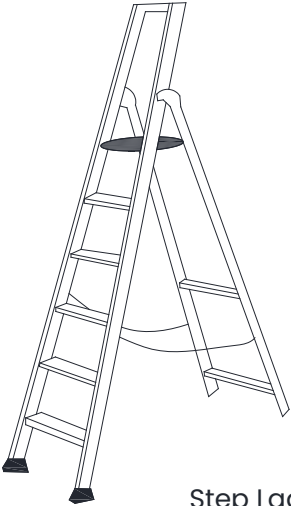
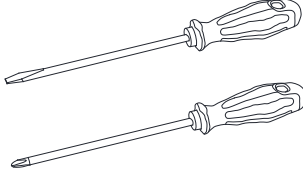
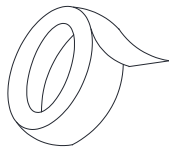
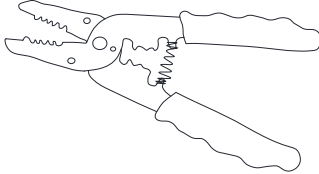
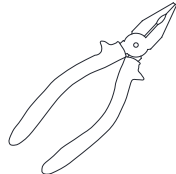
- These instructions are provided for your safety. It is very important that they are read carefully and completely before beginning the assembly and installation of this lighting fixture.
- We strongly recommend that a professional electrician install all direct wire fixtures.
- THIS PRODUCT MUST BE INSTALLED IN ACCORDANCE WITH THE APPLICABLE INSTALLATION CODES BY A PERSON FAMILIAR WITH THE CONSTRUCTION AND OPERATION OF THE PRODUCT AND THE HAZARDS INVOLVED.
- The lighting fixture is meant for indoor use. It must be connected only to 3-wire, single-phase electrical supply systems (provided with Ground wire or equivalent protection system).
- For your safety, it is strongly recommended that two people install the lighting fixture.
- This fixture has been rated for up to six 6-watt maximum TYPE B SBLED light bulb (not included) (This pendant can only use LED bulbs, not other bulbs) . To avoid the risk of fire, do not exceed the recommended lamp wattage.
- The lighting fixture is meant for indoor use, DRY LOCATIONS ONLY.
- Save these instructions.

WARNING:

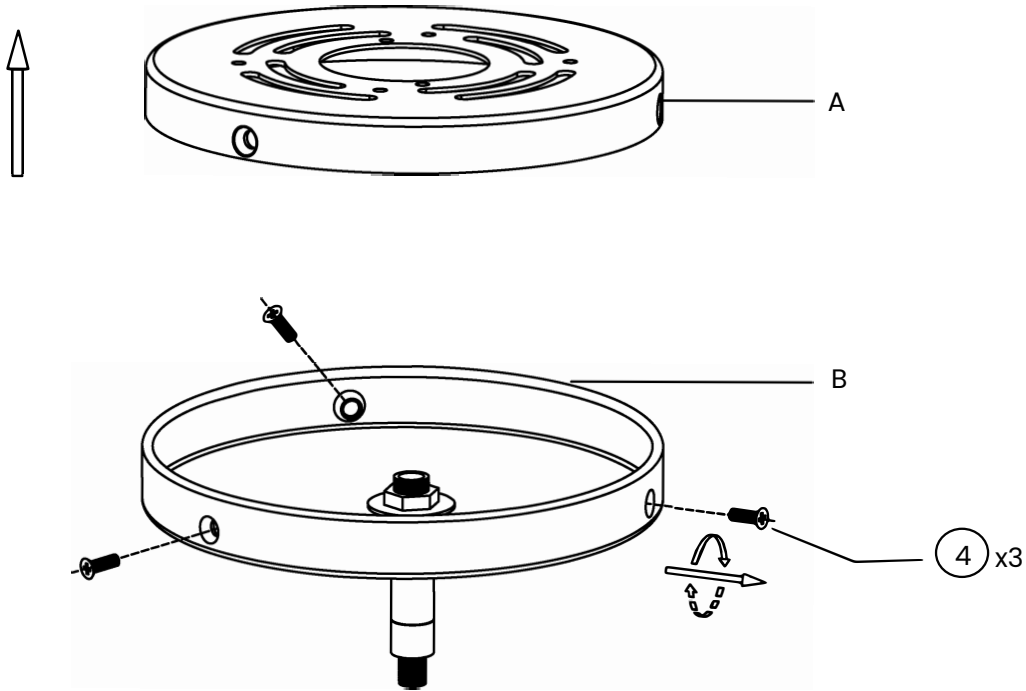
- To reduce the risk of fire, electrical shock or personal injury, always turn off light fixture and allow it to cool prior to replacing light bulb.
- Do not touch bulb when fixture is turned on. Do not look directly at lit bulb.
- Keep flammable materials away from lit bulb.

Pre-assembly:

- Remove all parts and hardware from box along with any plastic protective packaging.
- Do not discard any contents until after assembly is complete to avoid accidentally discarding small parts or hardware.
- For your safety and convenience, assembly by two people is recommended.

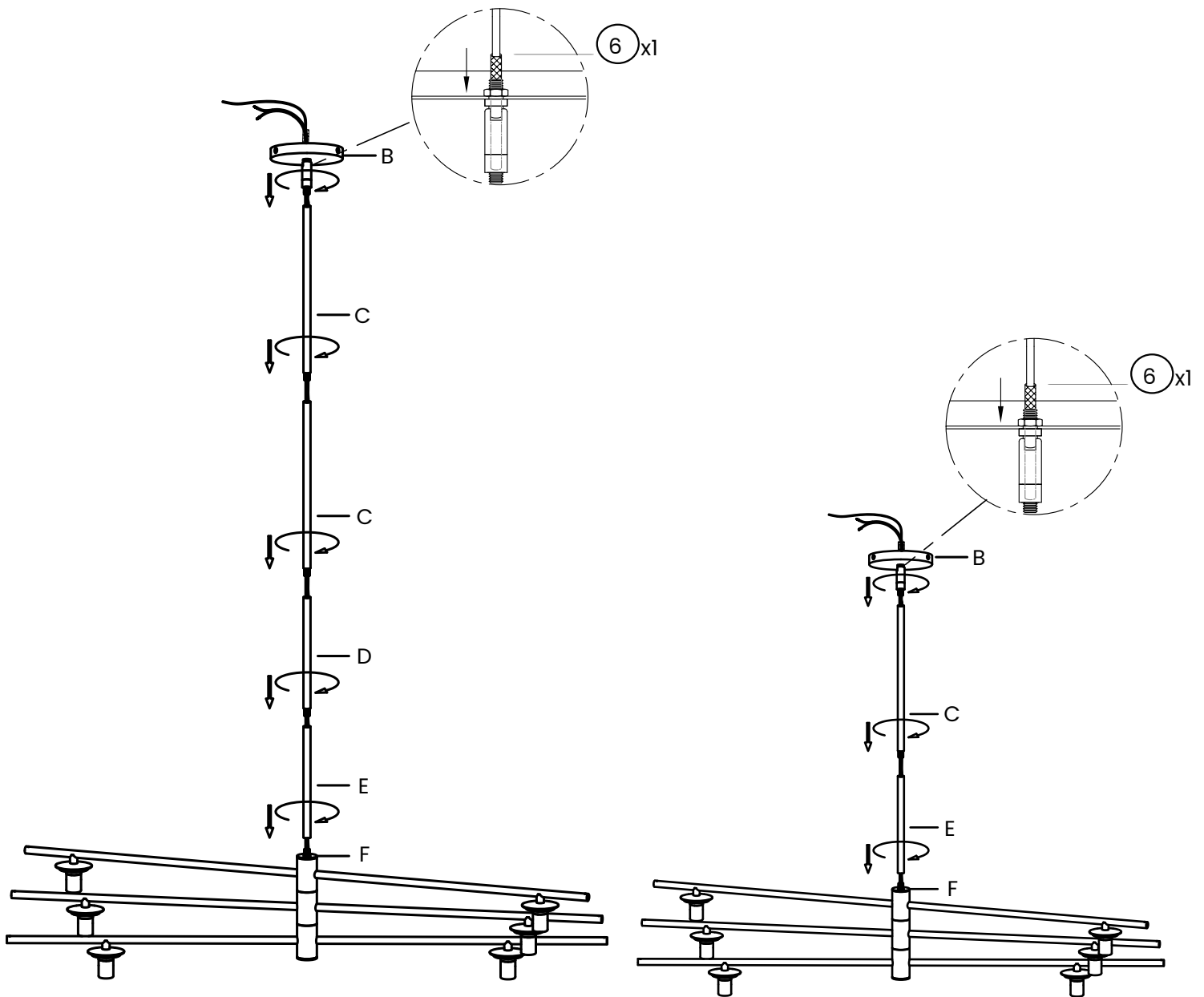
 <p>Step Ladder</p>	 <p>Phillips Head, Flat Blade Screwdrivers</p>	 <p>Electrical tape</p>
	 <p>Wire Cutter/Stripper</p>	 <p>Plier</p>

Step 1



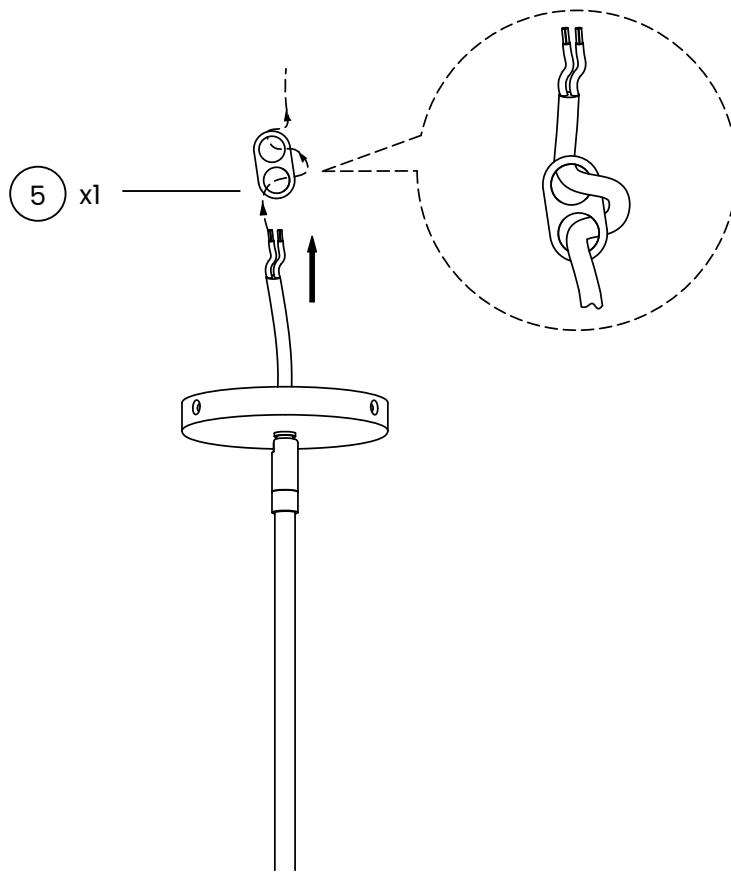
Remove the Three (4) canopy screw with a screwdriver, carefully remove the (A) mounting plate from the (B) canopy, and place them in a clean working space.

Step 2

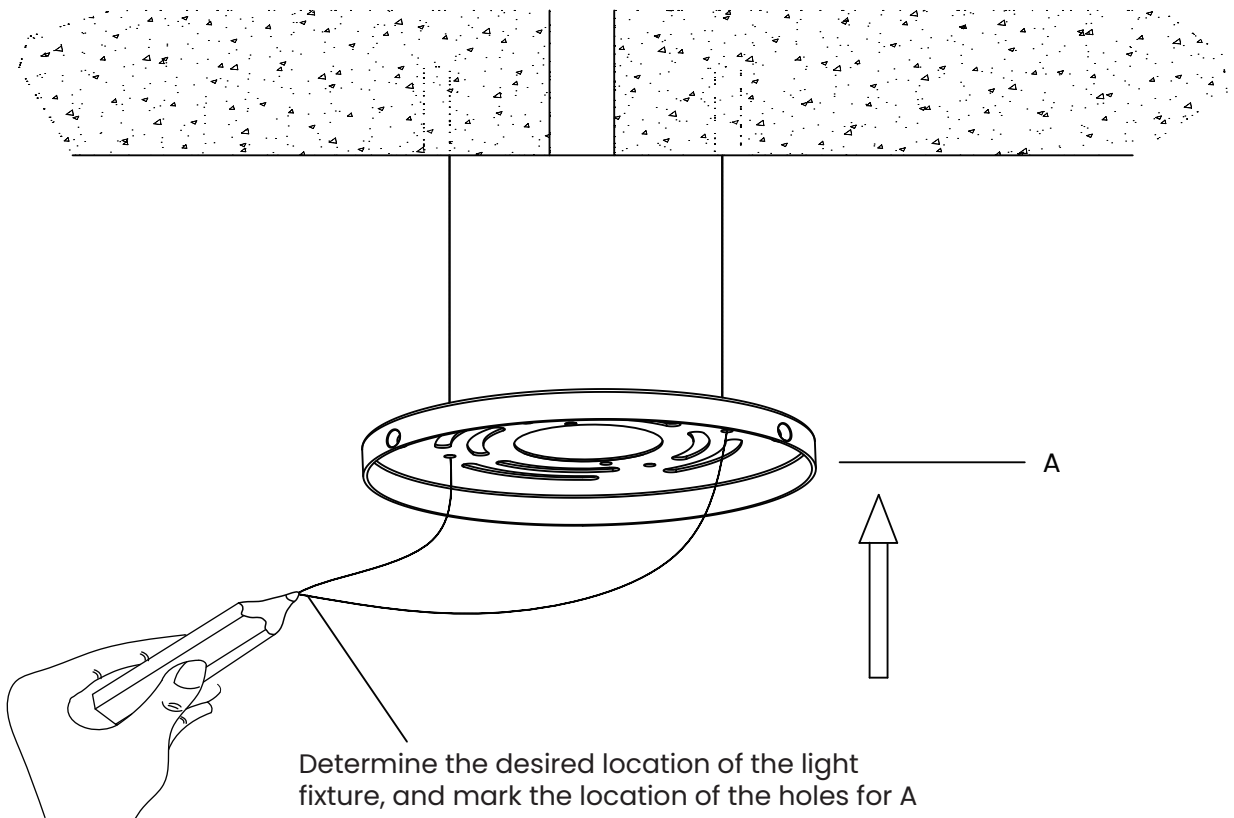


This lamp has height options that can be created by adding/removing sections of the downrod. A Fiberglass casing[®] is placed to protect the wire as it passes through the canopy B.

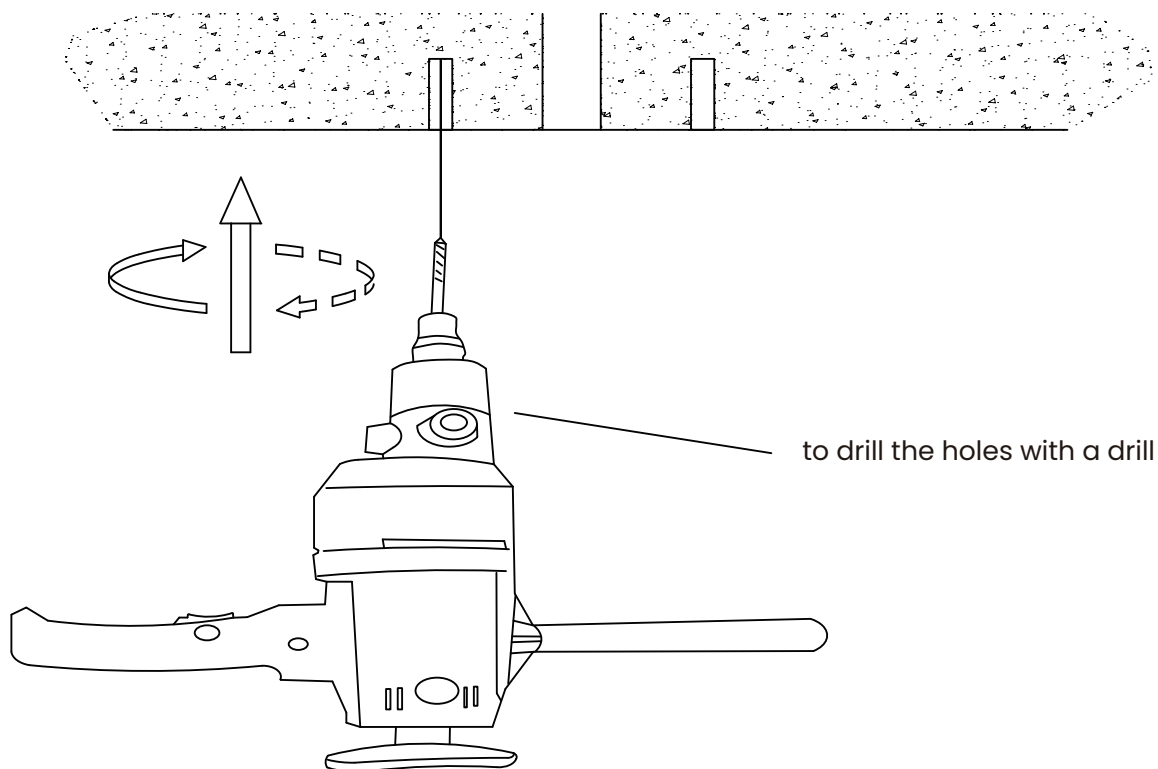
Step 3



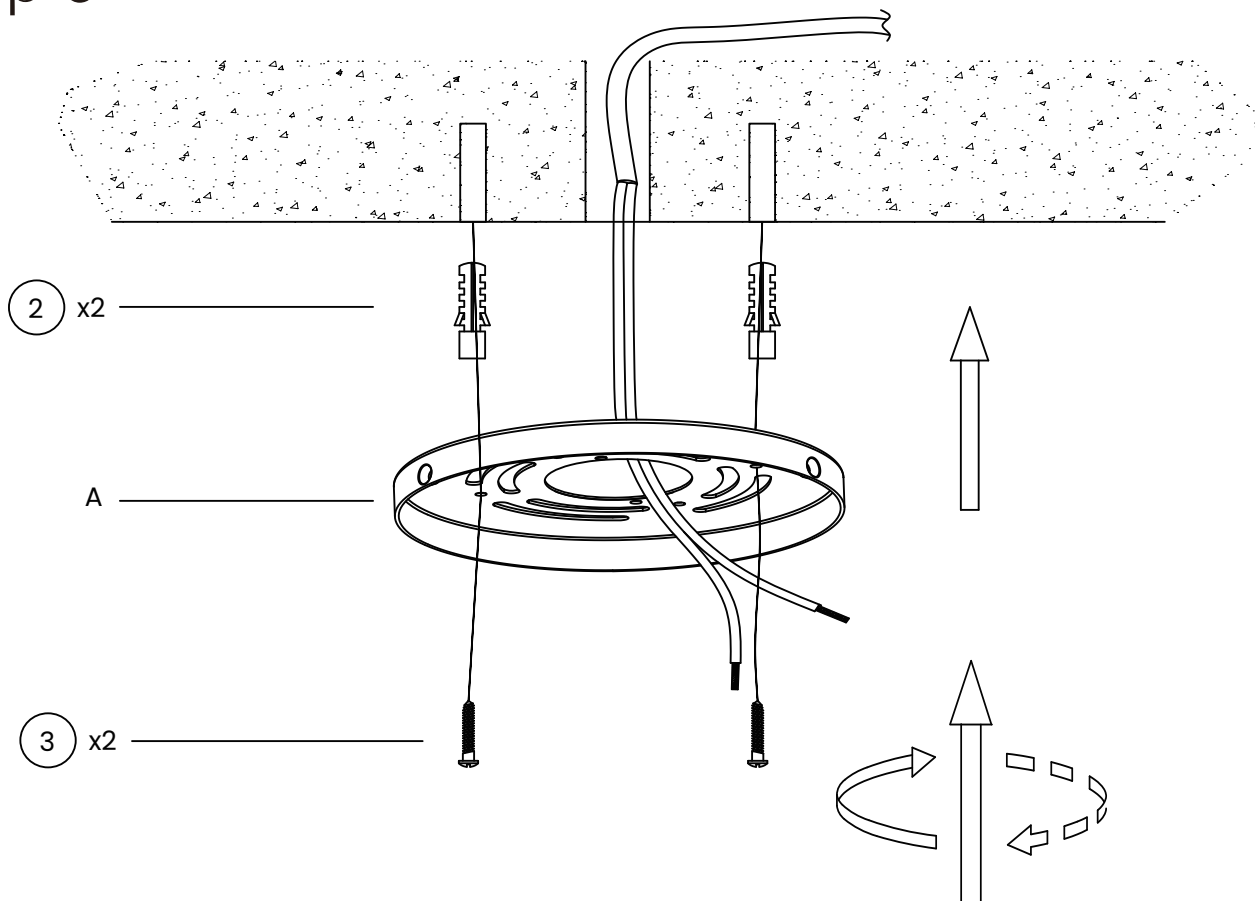
Step 4



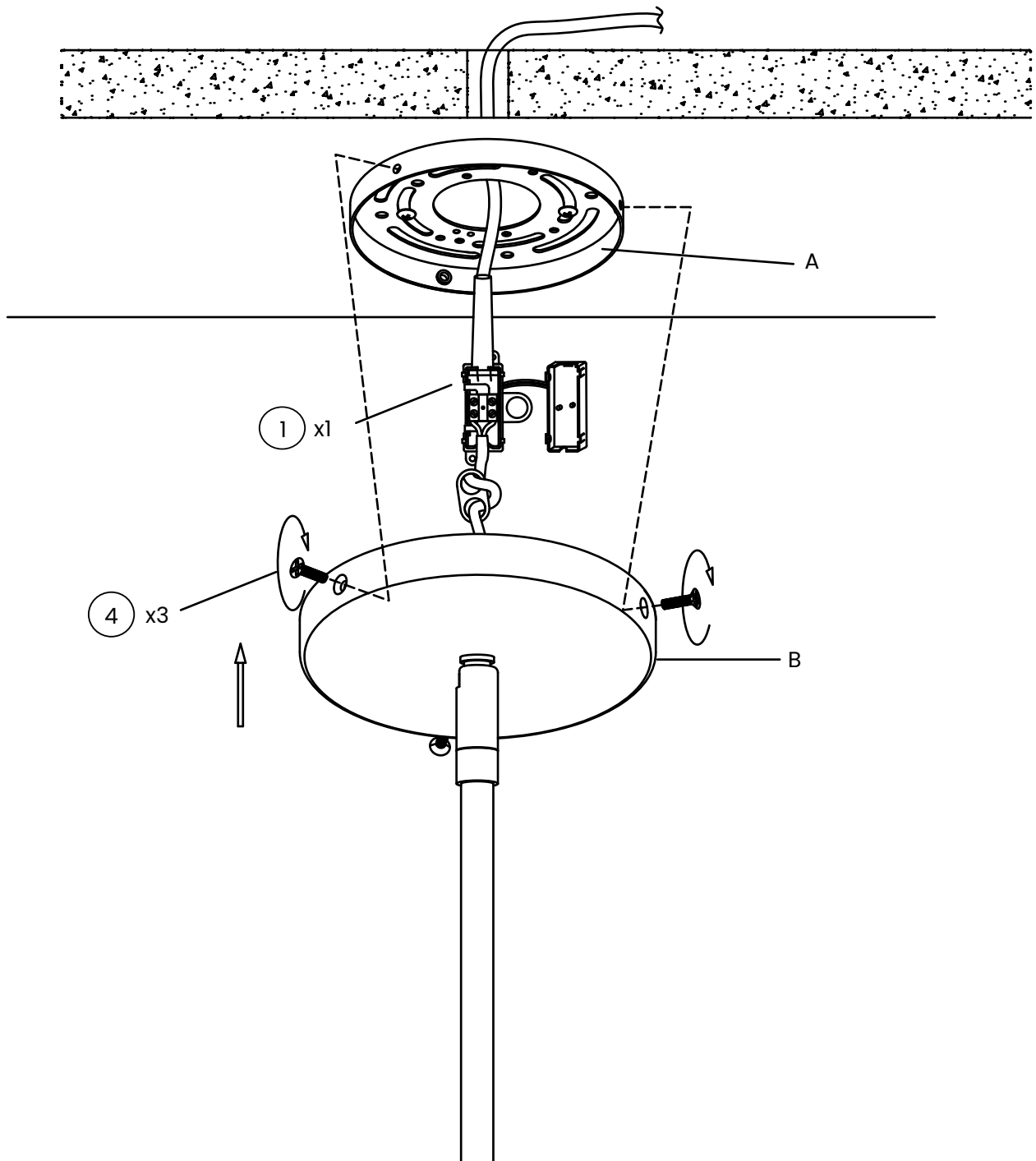
Step 5



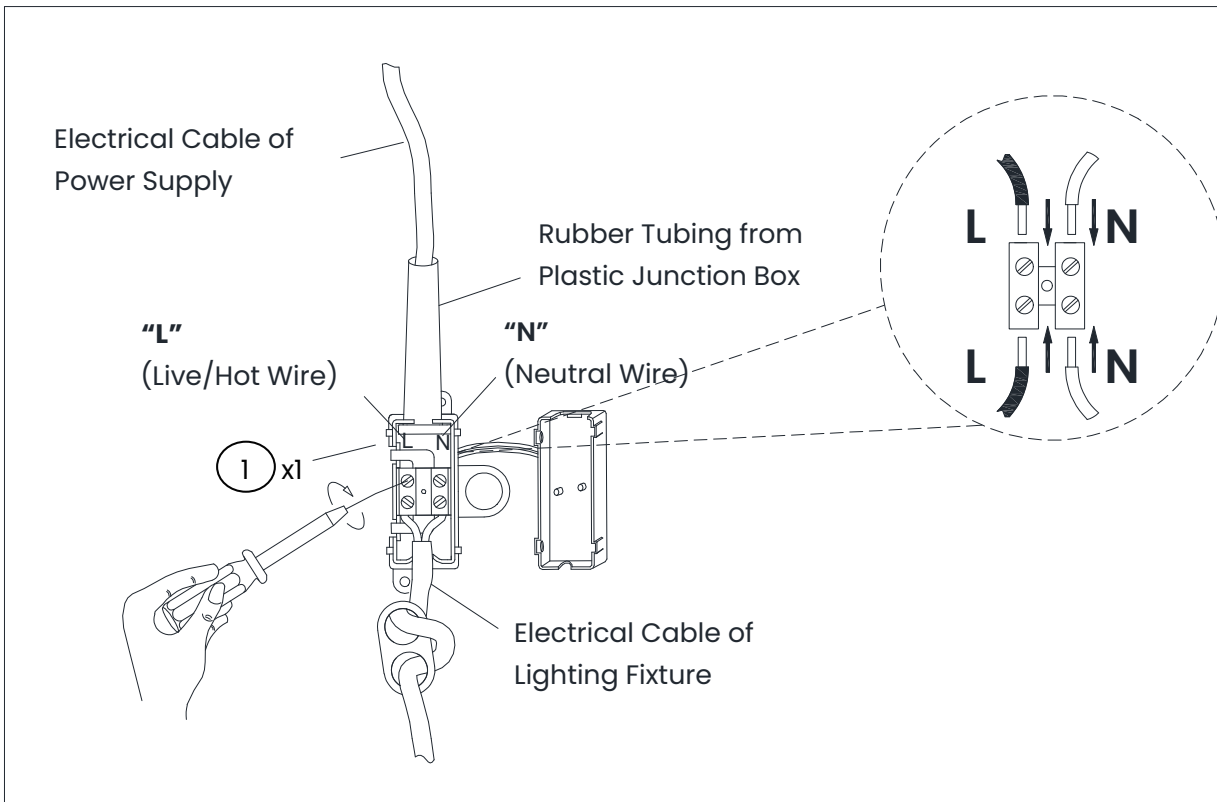
Step 6



Step 7



Shut off the main electrical supply from the main fuse box/circuit breaker

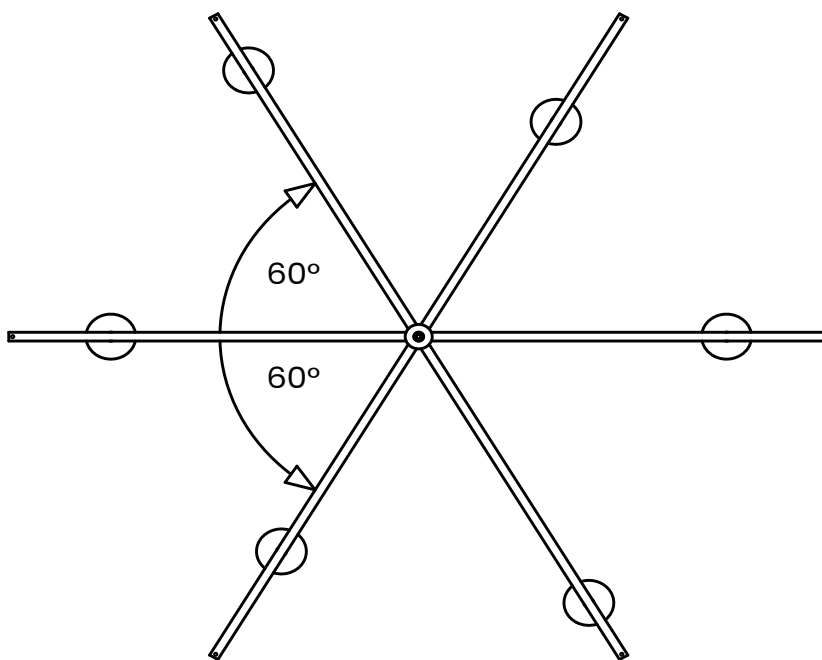
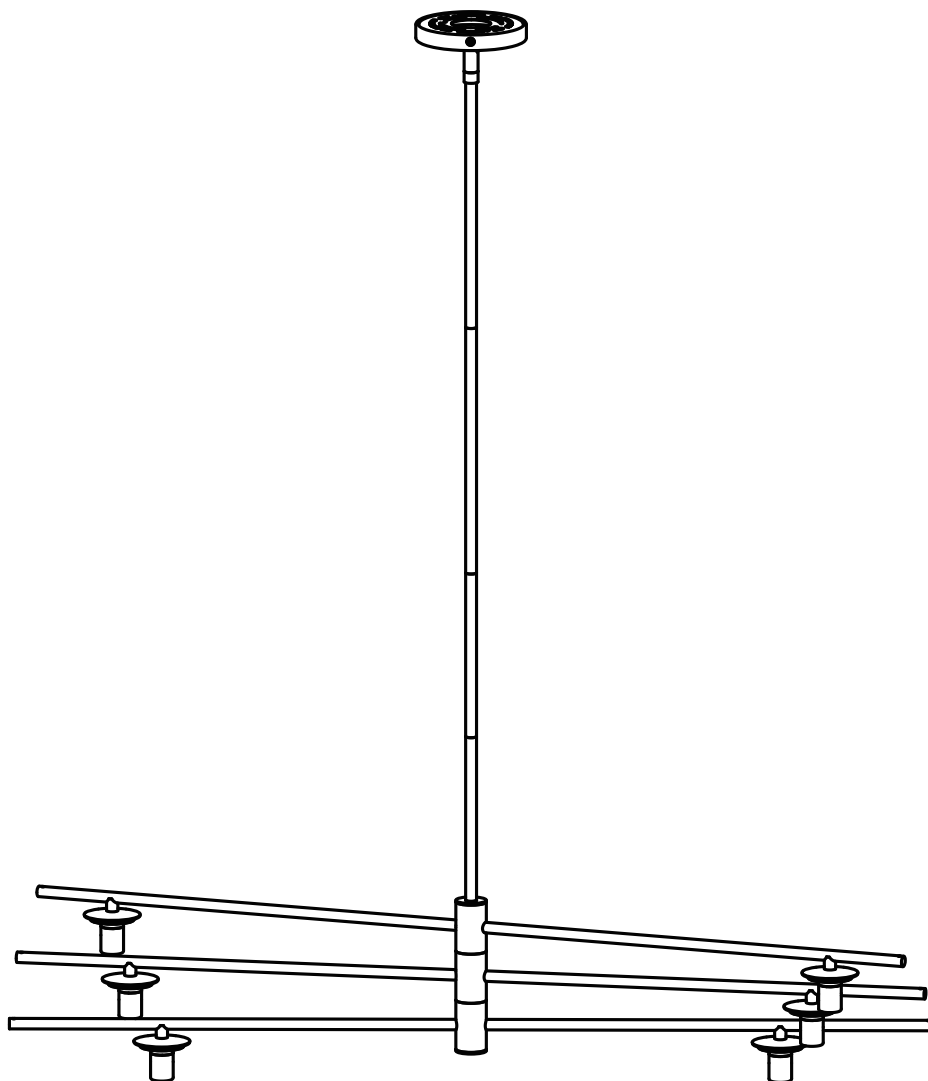


1. Find the Terminal Block by opening the cover of Plastic Junction Box ① .
2. Carefully inspect the Terminal Block, the terminal marked “L” is to connect to Live/Hot wire of power supply cable and the terminal marked “N” is to connect to Neutral wire of power supply cable.
3. Insert the electrical wire of power supply cord through the rubber tubing of Plastic Junction Box ① and correctly connect the wires of power supply cable and the wire of the lighting fixture to the Terminal Block. Seal the Plastic Junction Box ① by putting its cover back after completing electrical wire connections.

Kindly warning: please put the electrical cable of power supply through the rubber tubing from the plastic junction box. it can avoid the danger of electric shock caused by the long wall line of single-layer insulation and direct contact with the canopy during installation

Step 8

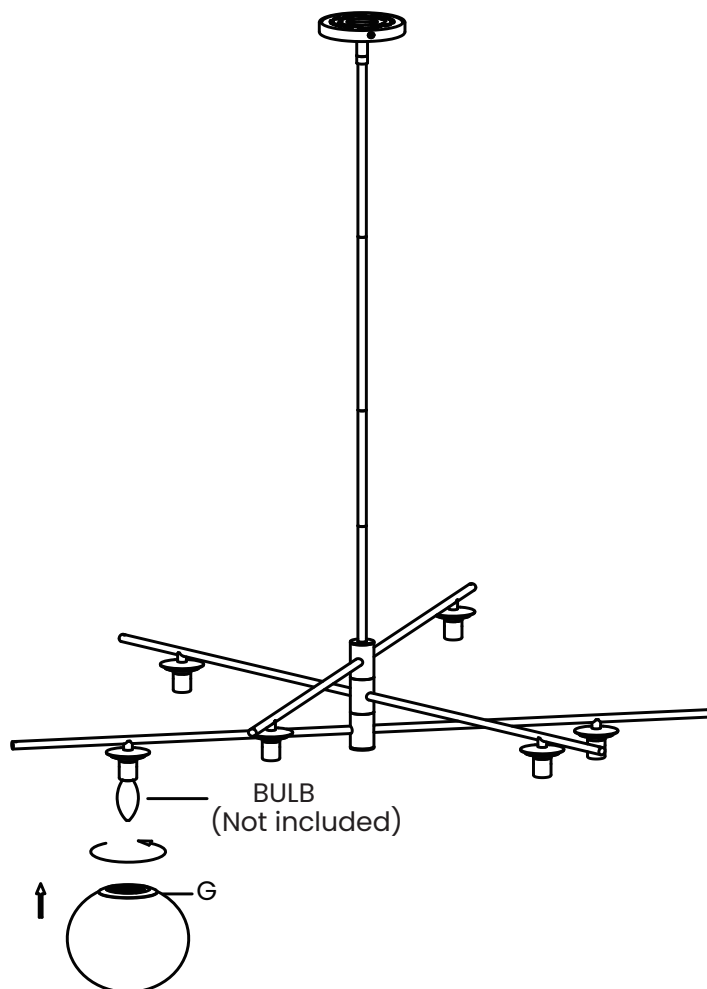
—



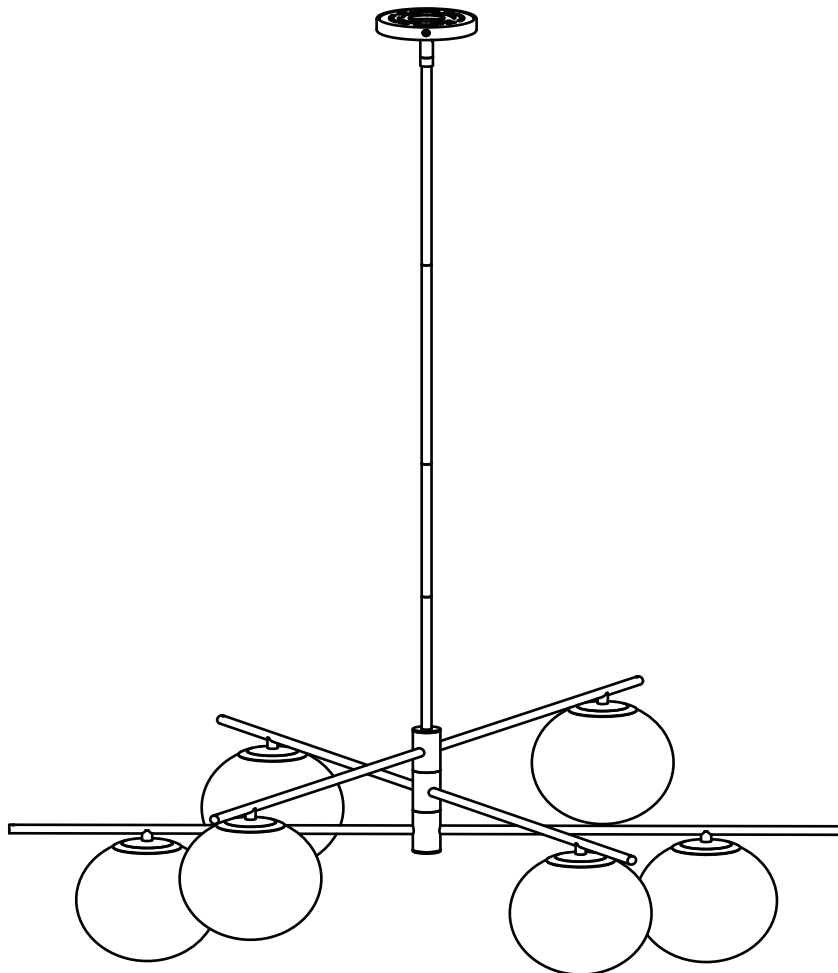
Step 9



Step 10



Step 11



Finished!

Congratulations, we're almost there!
Please perform the following checks:

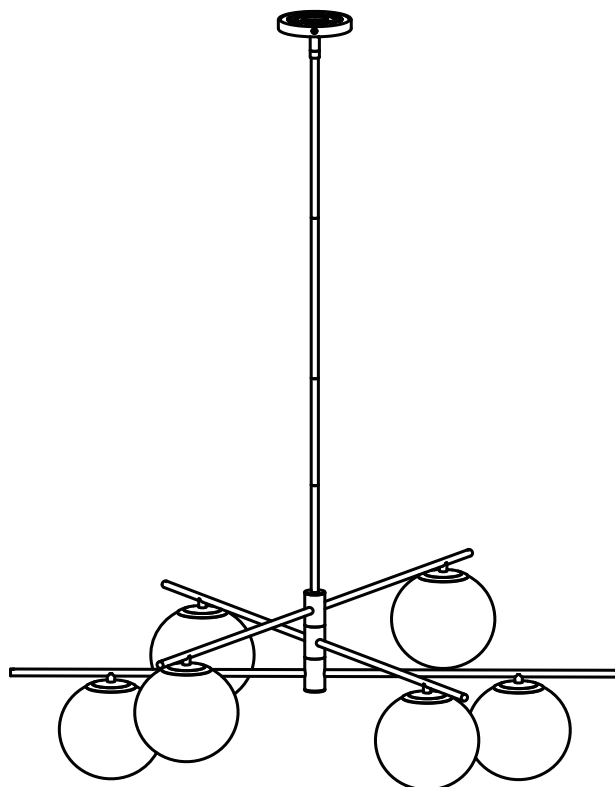
1. Ensure all bolts are tightened.
2. Do not miss bolts installation.

When moving to your preferred position, you need to lift the bottom of your product to move it. Levelers (if any) may slant if you drag your product.

Finally, clean the product with a soft dry cloth.

You're all set! Enjoy your new living space, thanks to the addition of your Castlery product.

Note: Your actual product may have minor size differences due to manual measurements.



Care

Instructions

Your Lighting, if treated with respect and love, will last you a long time. Each piece requires light maintenance to maximize its longevity.

Lighting Care

1. Always switch off the electricity and allow it to cool before cleaning or replacing the light bulb.
2. Always handle the lamp with clean hands or protective gloves.
3. Remove the diffuser before cleaning the lamp using a feather duster or soft white cloth.
4. Ensure cleaning materials used are grit-free to prevent leaving scratches on the lamp shade.
5. Avoid using glass cleaners,abrasive cleaners,or bleach as they may cause discolouration on the shade.
6. Ensure light bulb is centred inside each shade and does not touch the shade sides.
7. The lamp can hold six E14 LED light bulbs up to 6 Watt maximum. However,do not exceed the recommended wattage to prevent risk of fire.
8. If the external flexible cable or cord of this luminaire is damaged,it shall be exclusively replaced by the manufacturer or his service agent or a similar qualified person in order to avoid a hazard.
9. Dust often using a clean, soft, dry and lint-free cloth.
10. Blot spills and wipe with a clean, damp cloth immediately.
11. We do not recommend the use of chemical cleansers, abrasives or furniture polish on our lacquered finish.
12. Hardware may loosen over time. Periodically check to make sure all connections are tight. Re-tighten if necessary.

Follow the care instructions and look after your Lighting. In return, your Lighting will look after you. For more information on our care instructions, visit our product website at www.castlery.com

We hope to see you soon!