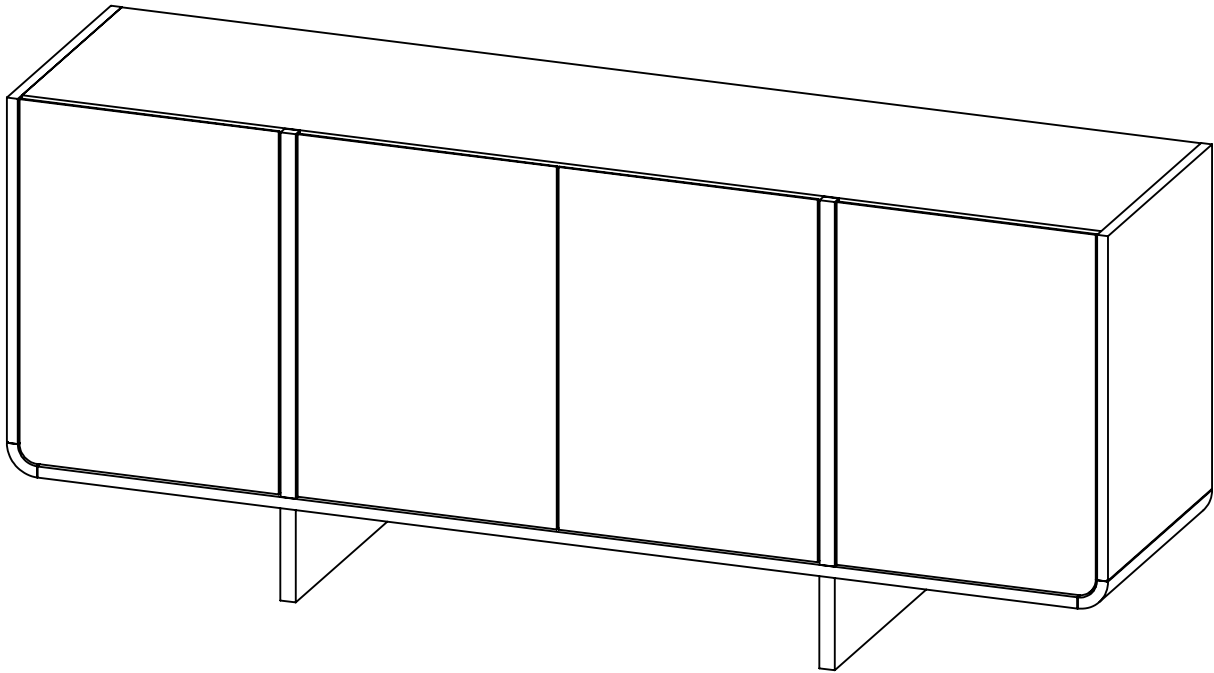


# SAWYER SIDEBOARD



# Hello there.

We're so glad that our Castlery product has found a home with you. As proud makers of modern, quality furniture, we're confident that you will love and enjoy your purchase.

Setting it up is easy. Read on for a step-by-step guide to have your item assembled and ready for use.

Once you're done, consider sharing a photo on social media or leaving us a review. We'd love to see how you've styled it in your space.

**Thank you for being part of the Castlery community!**

---

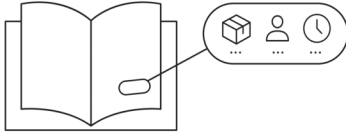
## Contact us.

For any enquiries or issues regarding your purchase, you can contact us via [www.castlery.com/contact-us](https://www.castlery.com/contact-us).

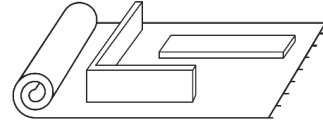


[www.castlery.com](https://www.castlery.com)

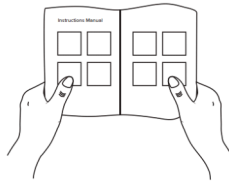
# ! Before you start...



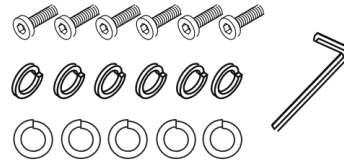
Check that you have received all cartons and familiarize yourself with the assembly requirements. This includes setting aside the allocated time required and having someone to assist you, if needed.



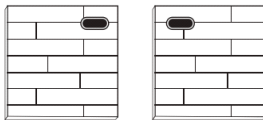
Ensure enough space for assembly. We recommend protecting your floor with a mat or cardboard to avoid scratches during the assembly process.



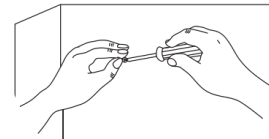
Read instructions carefully, and check that no parts are missing.



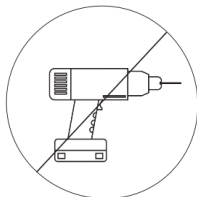
Lay out all hardware on a soft surface so you can easily identify them.



Carefully identify all components to differentiate which pieces are left and right.



Carefully install your new product following the instructions stated. Don't skip ahead!

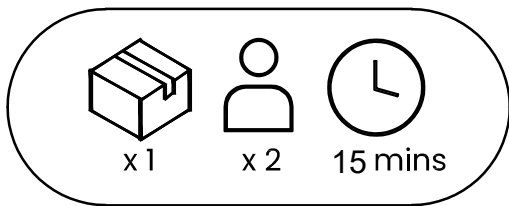
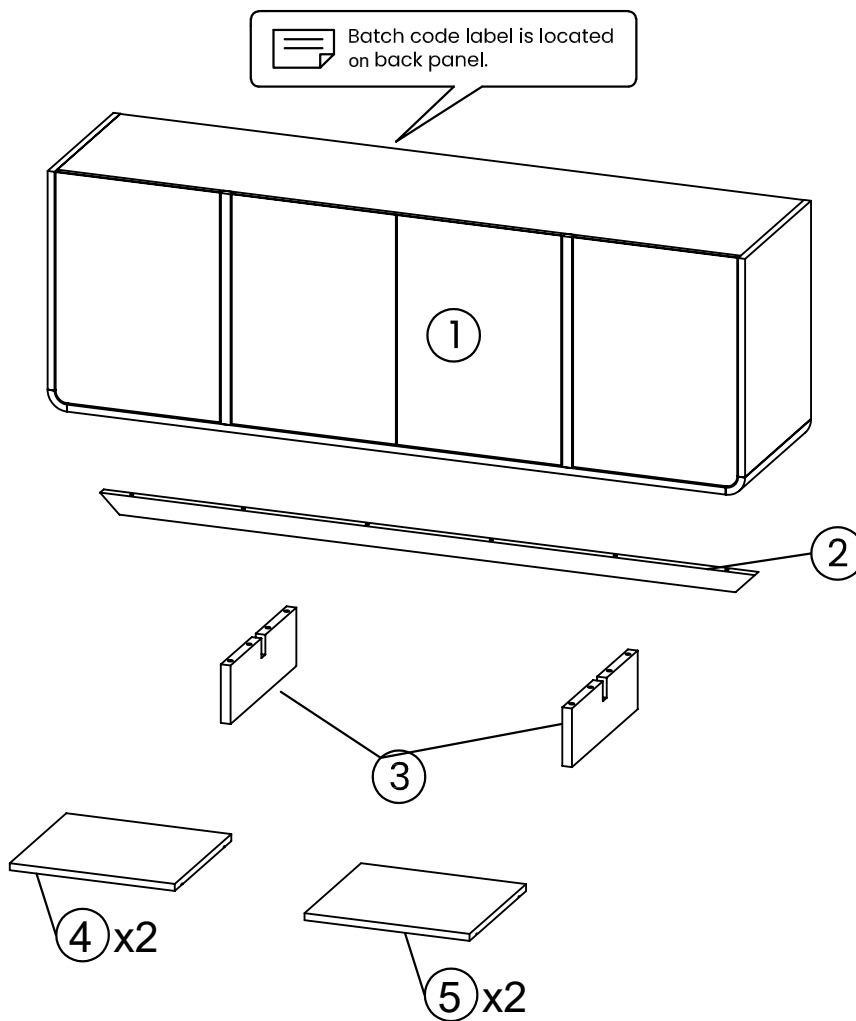


**DO NOT** over-tighten screws or use a drill. This will damage the product.



If you need further assistance, please contact us via [www.castlery.com/contact-us](http://www.castlery.com/contact-us).

# Overview



**IMPORTANT: 2 persons needed for assembly.**

This will help to minimize potential damage to the product or injury to persons during assembly.



There are inner box(es) that include components required to complete this assembly.



Please do not completely tighten all the hardware, until each assembly step is complete.



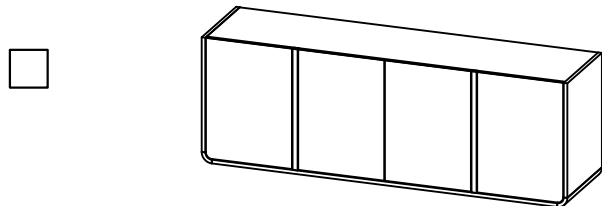
Before discarding the packaging, please use the checklist to ensure that you have all the parts required to assemble your product. Please kindly note if applicable please keep the original package when you want to return the product later.



If parts are missing or damaged, we will gladly ship your replacements parts free of charge. Please contact us via [www.castlery.com/contact-us](http://www.castlery.com/contact-us). Illustrations in this guide are for reference only and may be slightly different from the actual object.

# Parts

BOX 1 OF 1



① Cabinet  
**x1**



② Iron Tube  
**x1**



③ Legs  
**x2**



④ Adjustable Shelves  
**x2**



⑤ Adjustable Shelves  
**x2**

# Hardware

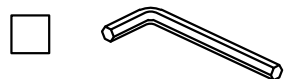
BOX 1 OF 1



Ⓐ Small Bolts (M6x65)  
**x6**



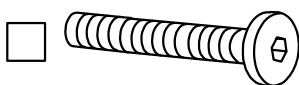
Ⓑ Flat Washers (Ø6/16x1)  
**x6**



Ⓒ Allen Key 4mm  
**x1**



Ⓓ Spring Washers (Ø6)  
**x6**



Ⓔ Large Bolts (M8x120)  
**x8**



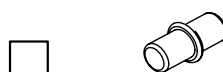
Ⓕ Flat Washers (Ø8/16x1)  
**x8**



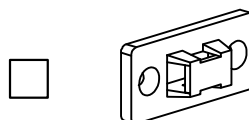
Ⓖ Spring Washers (Ø8)  
**x8**



Ⓗ Allen Key 5mm  
**x1**



Ⓘ Shelf Pins  
**x16**



Ⓙ Brackets  
**x4**



Ⓚ Safety Strap  
**x2**



Ⓛ Long Screws (M4x40)  
**x4**



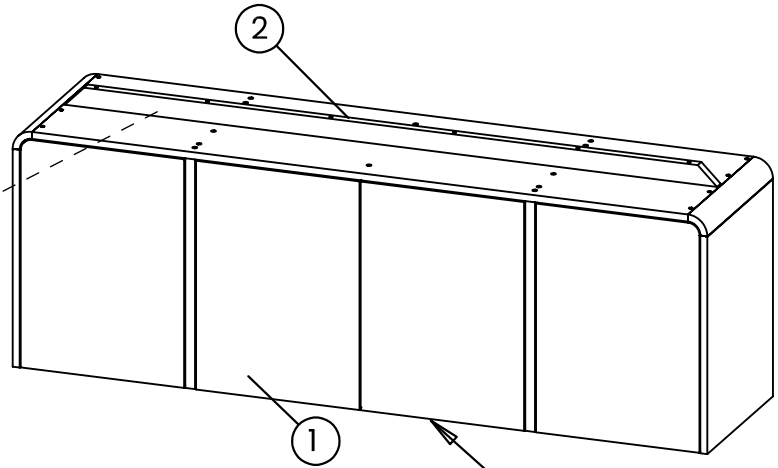
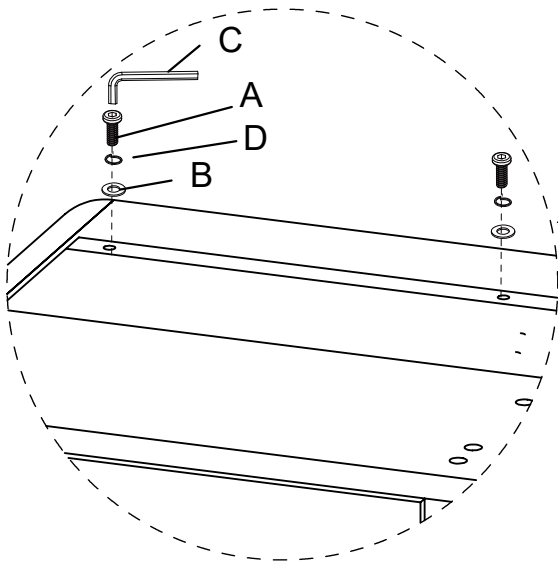
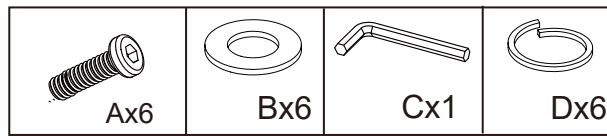
Ⓜ Short Screws (M4x20)  
**x4**



Ⓝ Plastic Stopper  
**x4**

\*You might need a screwdriver (+/-) to complete this assembly.

# Step 1

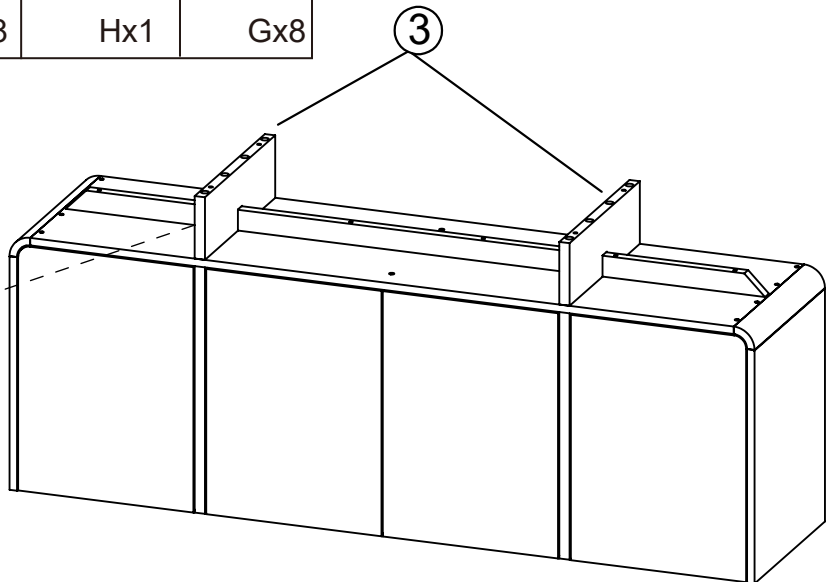
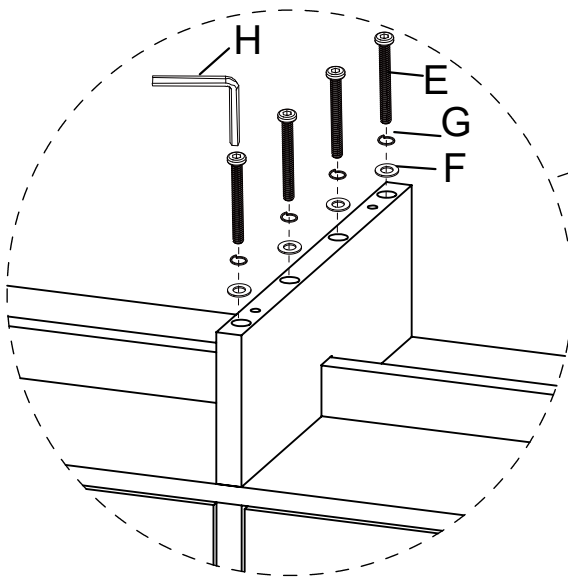
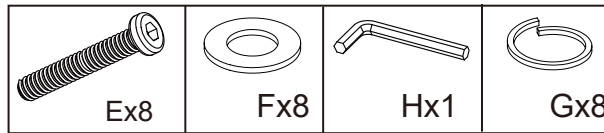


Use a mat or a piece of cardboard to avoid scratches on the floor and product



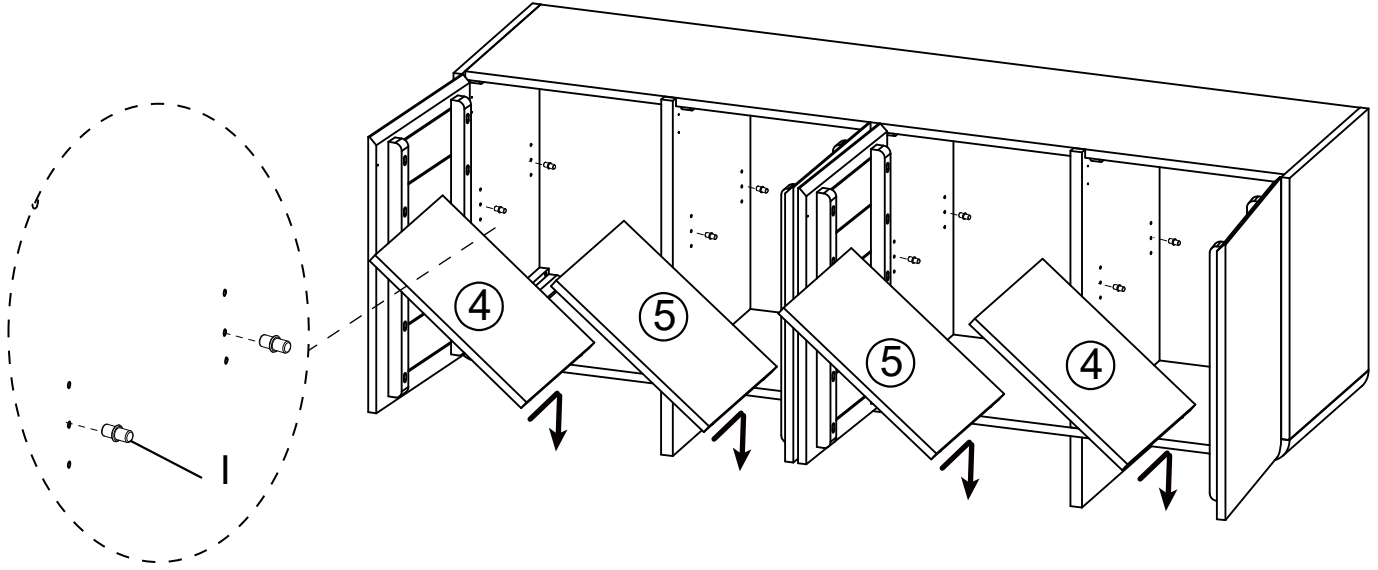
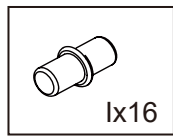
Do not tighten any bolts until all bolts are installed.

# Step 2

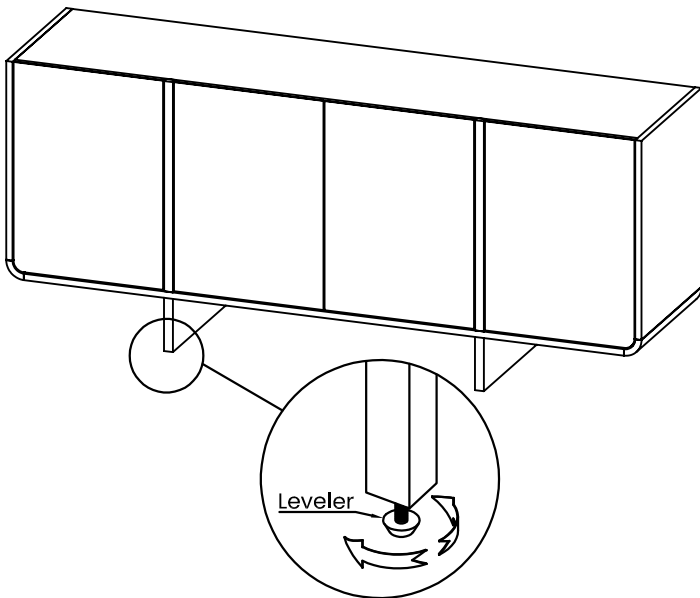


Do not tighten any bolts until all bolts are installed.

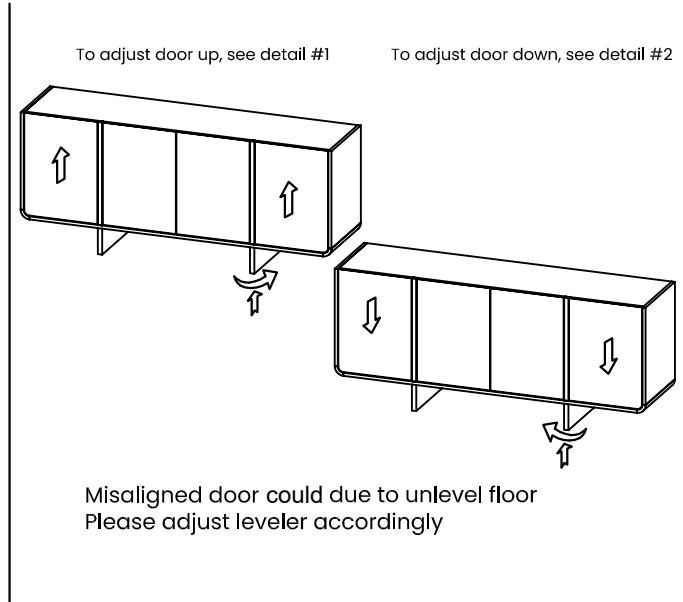
# Step 3



# Step 4



Please adjust leveler so that each leg can touch the floor completely

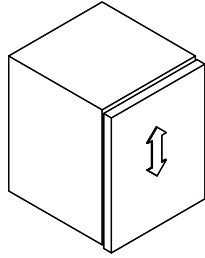


This step requires 2 persons to overturn the product and adjust leveler.

# Step 5

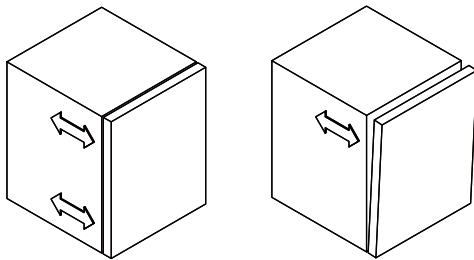
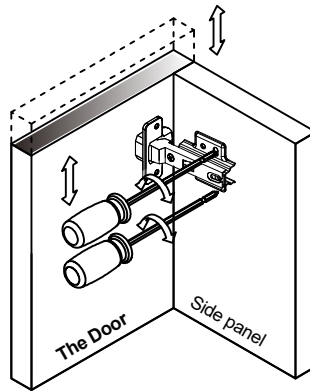
## Door Adjustment Instructions

— Do this step when necessary only



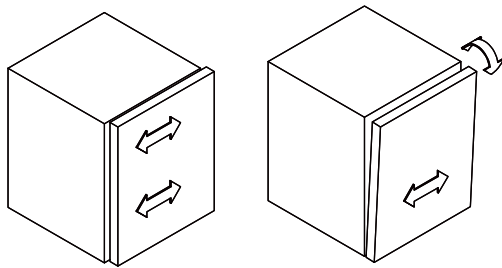
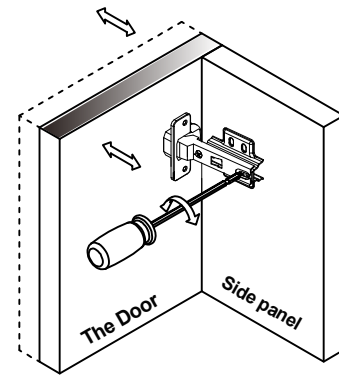
To adjust door up or down, see detail #1

#1



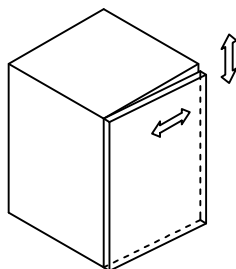
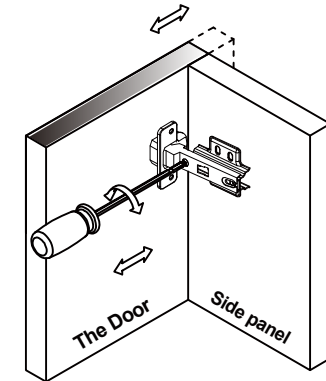
To adjust door in or out, see detail #2

#2



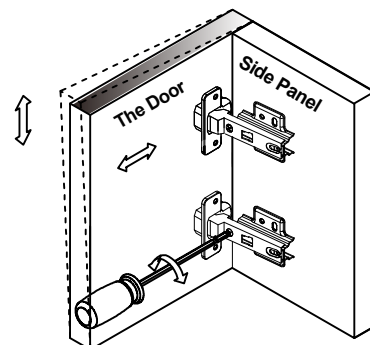
To adjust door side to side, see detail #3

#3



To adjust door horizontal, see detail #4

#4



# Finished!

---

**Congratulations, we're almost there!**  
**Please perform the following checks:**

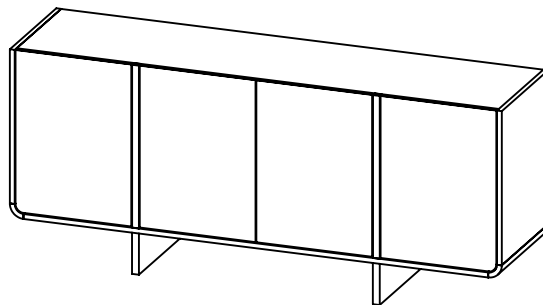
1. Have you tightened all the screws?
2. Are the doors opening or closing normally?

**Always lift your Castlery product when moving it to your preferred location. Levelers (if any) may slant if you drag your product.**

**Finally, dust the product with a clean cloth (if needed).**

**You're all set! Enjoy your new living space, thanks to the addition of your Castlery product.**

Note: Your actual product may have minor size differences due to manual measurements.

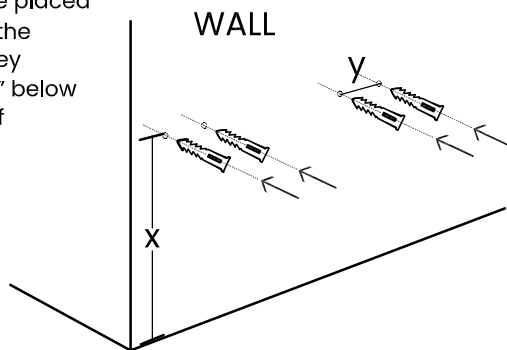
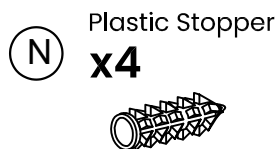


# Anti-tip Kit Assembly Instruction

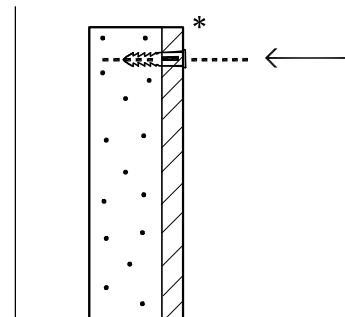
To prevent injury and property damage from unexpected tipping of furniture, we highly recommend installation of the anti-tip kit included with this product.

## Step 1

Determine where the piece is to be placed and mark location on the wall for the mounting bracket screw holes. They should be placed approximately 1" below the top on the back of the piece of furniture.

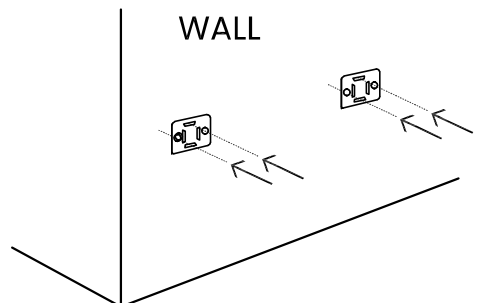
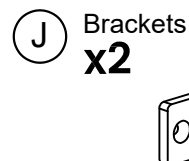
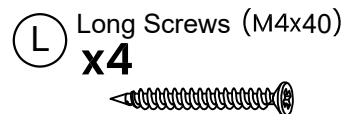


\*Repeat for all 4 screws.

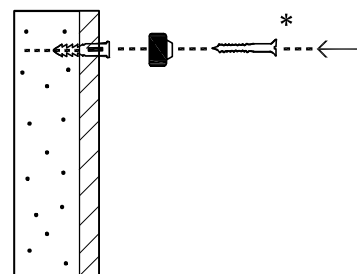


## Step 2

Attach the mounting bracket vertically/horizontally to the wall by inserting the long screws provided through the holes in the bracket and tightening securely using screw-driver. Screws must penetrate wall studs for proper installation.



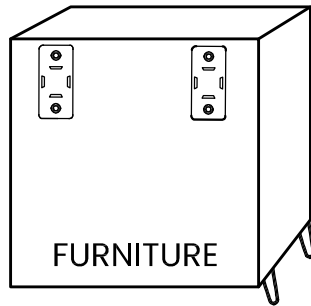
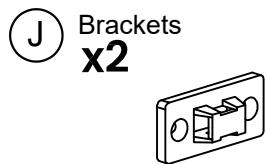
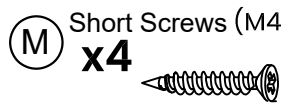
\*Repeat for all 4 screws.



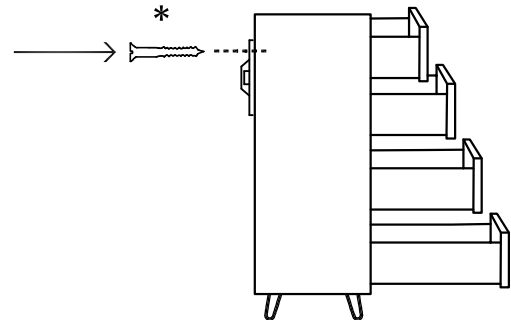
Please seek a professional advice if unsure of wall constructions. Properly affixing furniture to your wall will depend on the wall material: concrete, drywall, masonry, or wood will require the appropriate hardware. Anchor provided is suitable for concrete wall only, please source the right anchor according to the wall type. Please consult your local hardware store to ensure you are using the correct hardware for your wall type.

# Step 3

Next using the short screws attach the 2nd bracket to the back of the piece of furniture's top.

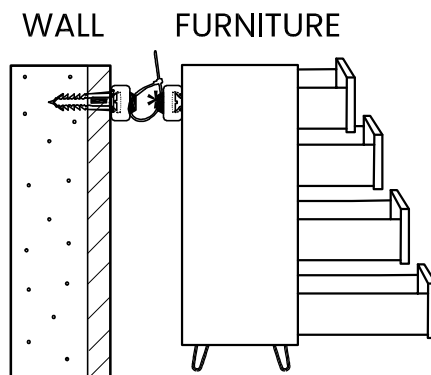
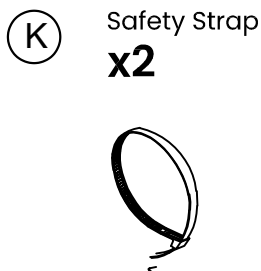


\*Repeat for all 4 screws.

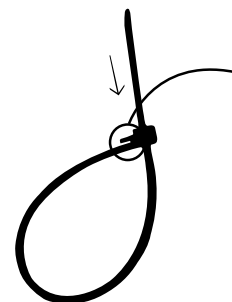


# Step 4

Lace the nylon strap down through the brackets. Slide the thin end of the strap through the receiving end of the nylon strap. Pull to tighten the piece of furniture snug against wall.



Press down to unlock; release to lock.



- This anti-tip kit is not a substitute for proper adult supervision.
- This anti-tip kit may provide protection against tipping furniture.
- Do not allow children to climb on furniture.
- By installing anti-tip kit, you acknowledge that you are fully aware of the safety requirements and accept to adhere to it.
- Illustrations in this guide are for reference only and may be slightly different from the actual object.

# Care

## Instructions

**Your furniture, if treated with respect and love, will last you a long time. Each piece requires light maintenance to maximize its longevity.**

### **Do's**

- Position the Sideboard away from direct sunlight or use curtains or blinds to limit sun exposure.
- Clean the wooden Sideboard regularly with a dry, soft cloth.
- Screws and bolts may loosen over time. Please check it regularly to tighten it.
- Use vacuum with low suction power for regular fabric cleaning from dust.
- To remove stubborn stains on fabric, use fabric cleaner that is suitable for polyester fabric.

### **Don'ts**

- Do not use towels to clean the product as towel fibres may be entrapped.
- Do not use abrasive cleaners that may damage the finishes.
- Do not use a wet cloth to clean the product as this may trigger mold.
- Do not clean the fabric with excessive rubbing as it may damage the fabric and cause discolouration.

### **Natural Characteristics:**

- Tiny fissures or cracks may develop if there are changes in humidity and temperature. This is unavoidable and occurs naturally in solid wood furniture.
- Natural wood knots, imperfections as well as wood grain and colour variations are to be expected for this collection.

**Follow the care instructions and look after your furniture. In return, your furniture will look after you. For more information on our care instructions, visit our product website at [www.castlery.com](http://www.castlery.com).**

**We hope to see you soon!**