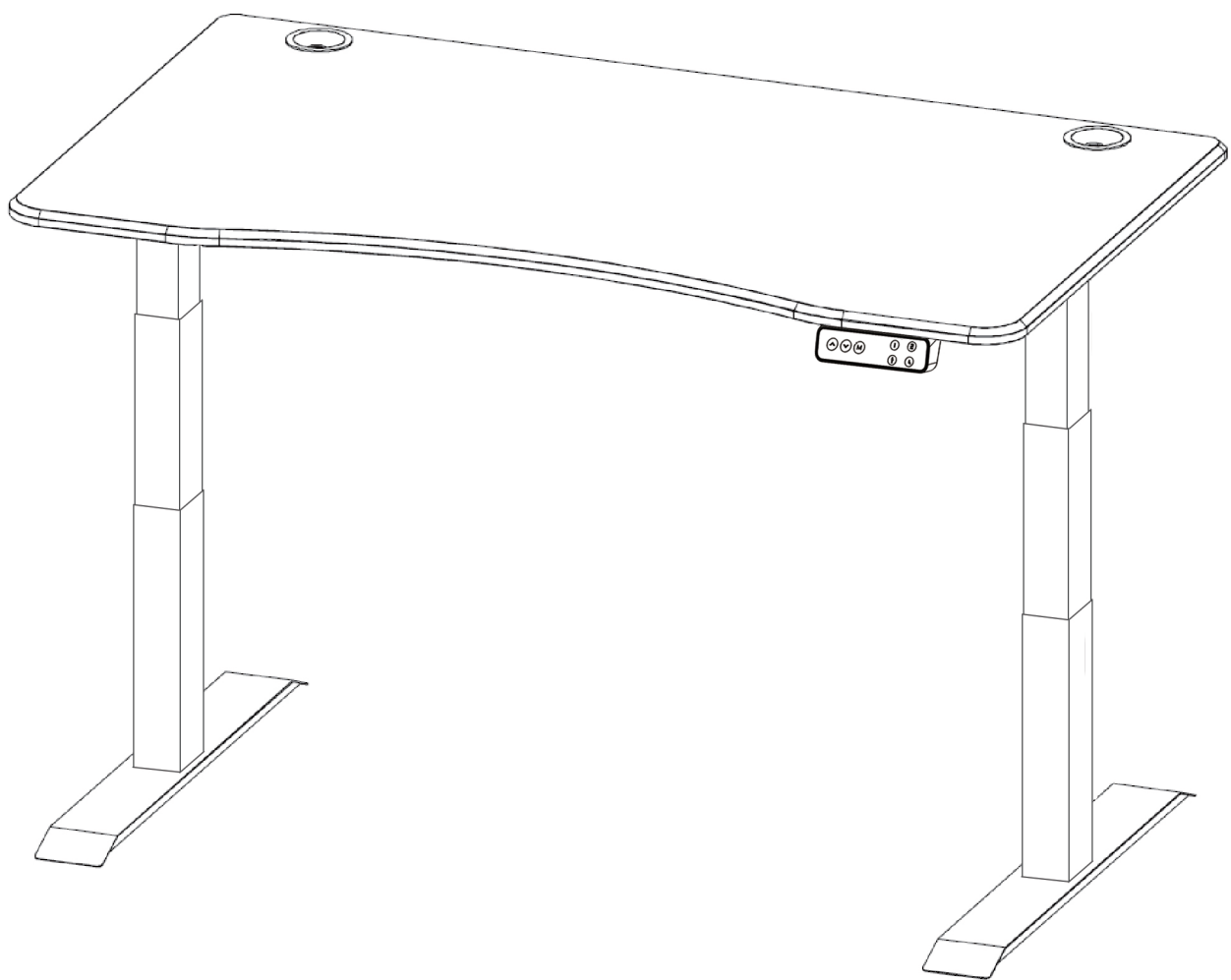


# EMMERSON STANDING DESK



# Hello there.

We're so glad that our Castlery product has found a home with you. As proud makers of modern, quality furniture, we're confident that you will love and enjoy your purchase.

Setting it up is easy. Read on for a step-by-step guide to have your item assembled and ready for use.

Once you're done, consider sharing a photo on social media or leaving us a review. We'd love to see how you've styled it in your space.

**Thank you for being part of the Castlery community!**

---

# Contact us.

Should you have any questions or concerns regarding your purchase, you can contact us via [www.castlery.com/contact-us](https://www.castlery.com/contact-us).



[www.castlery.com](https://www.castlery.com)

# CASTLERY

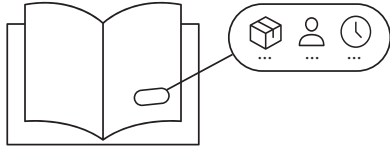
**Welcome on board!** Your furniture requires a consistent maintenance to maximize comfort for you at any space. That means you must always take preventive measures and deal with situations with all the care and help it needs.

1. Power supply from AC100V~240V, 50/60Hz, service environment from 32-104°F(0-40 °C), height range from 23.6~49.2"/60~125cm, max weight capacity is 275lbs/125kgs.
2. Unplug the power plug before cleaning, wipe the dust on surface with slight wet soft cloth, be careful not to let the drops into the internal parts and don't lose the connector.
3. Cleaning and user maintenance shall not be made by children without supervision. Avoid using Corrosive or abrasive cleaners.
4. To maintain the glamour of the wood desktop, apply soft paste wax annually, or more often, if the wood is dry.
5. Check carefully to ensure correct and complete assembly, be familiar with all functions and program settings of the product before use.
6. Slight noise caused by the V-ribbed belt or brake system due to structure will not have any effect on the use of the equipment.
7. This product can be used by children aged from 8 years and above and persons with reduced physical, sensory, or mental capabilities or lack of experience and knowledge if they have been given supervision or instruction concerning use of it in a safe way and understand the hazards involved.
8. Children are forbidden to play on the product because of unforeseen action when playing.
9. Unplug it if the supply cord is damaged, contact our service center for a replacement to avoid hazard.

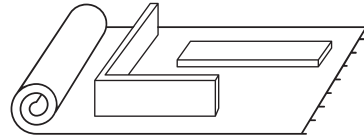
Follow the care instructions and your furniture will bound to give you a joyful and timeless experience.

We hope to see you soon!

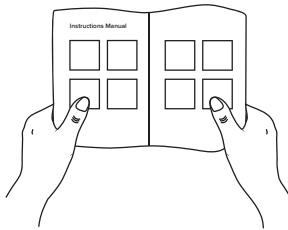
# ! Before you start...



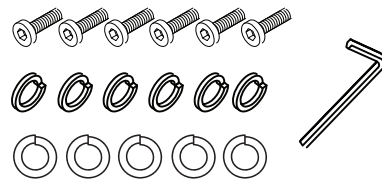
Check that you have received all cartons and familiarize yourself with the assembly requirements. This includes setting aside the allocated time required and having someone to assist you, if needed.



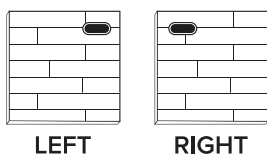
Ensure enough space for assembly. We recommend protecting your floor with a mat or cardboard to avoid scratches during the assembly process.



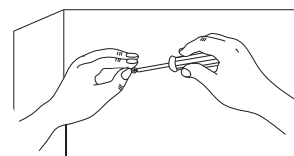
Read instructions carefully, and check that no parts are missing.



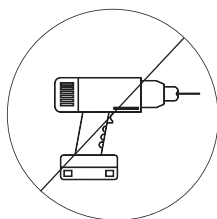
Lay out all hardware on a soft surface so you can easily identify them.



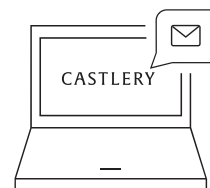
Carefully identify all components to differentiate which pieces are left and right.



Carefully install your new product following the instructions stated. Don't skip ahead!

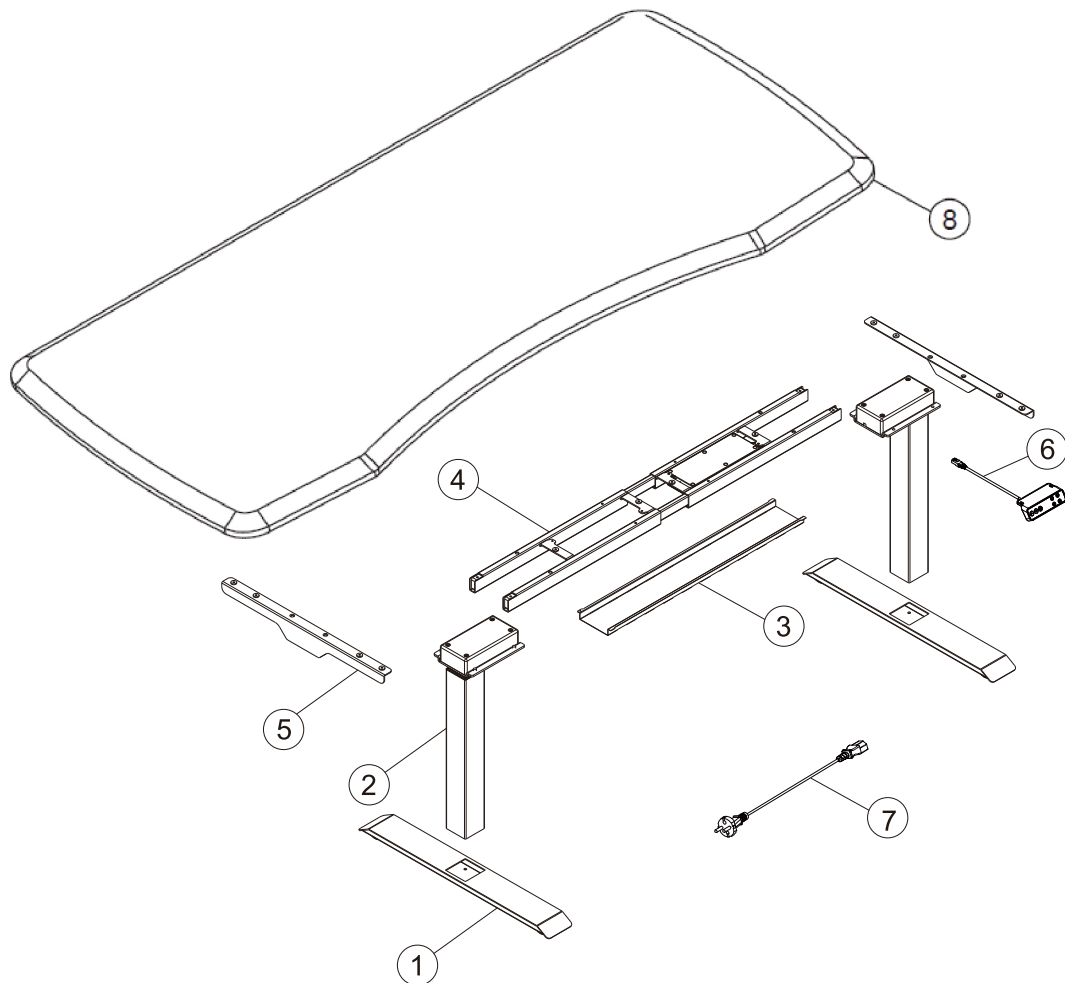





DO NOT over-tighten screws or use a drill. Only professional assemblers should use a drill.








If you need further assistance, please contact us via [www.castlery.com/contact-us](http://www.castlery.com/contact-us).

# Overview

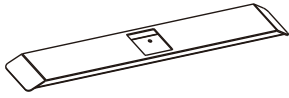


 **x2**     **x2**     **30 mins**

-  **IMPORTANT: 2 persons needed for assembly.** This will help to minimize potential damage to the product or injury to persons during assembly.
-  There are inner box(es) that include components required to complete this assembly.
-  Please do not completely tighten all the hardware, until each assembly step is complete.
-  Before discarding the packaging, please use the checklist to ensure that you have all the parts required to assemble your product. Please kindly note if applicable please keep the original package when you want to return the product later.
-  If parts are missing or damaged, we will gladly ship your replacements parts free of charge. Please contact us via [www.castlery.com/contact-us](http://www.castlery.com/contact-us). Illustrations in this guide are for reference only and may be slightly different from the actual object.

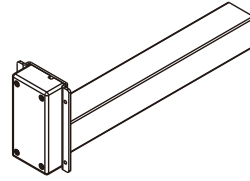
# Parts

## BOX 1 OF 2



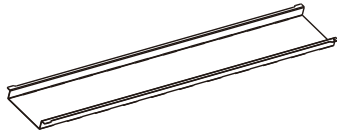
①

Feet  
**x2**



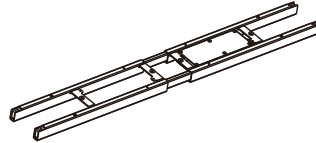
②

Lifting Column  
**x2**



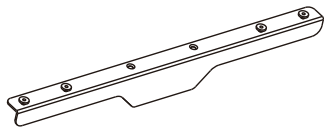
③

Cable Management  
Tray  
**x1**



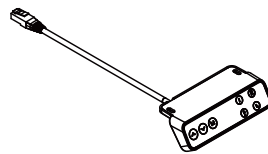
④

Supporting Beam  
**x1**



⑤

Side  
Bracket  
**x2**



⑥

Hand Switch  
**x1**



⑦

Power  
Plug  
**x1**

## BOX 2 OF 2

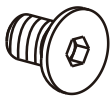
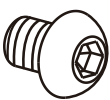
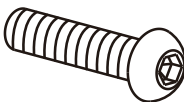
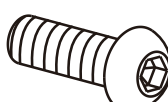




⑧

Desktop  
**x1**

# Hardware

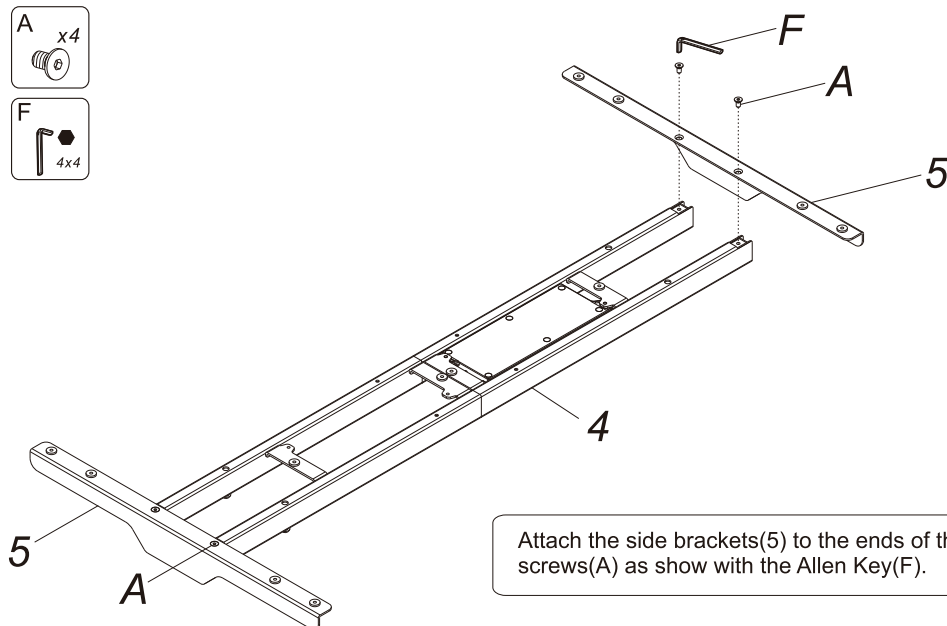
## BOX 1 OF 2

- |                          |   |     |   |                          |  |     |  |
|--------------------------|---|-----|---|--------------------------|--|-----|--|
| <input type="checkbox"/> |  | (A) | M6 Screw L12<br><b>x4</b>                               | <input type="checkbox"/> |  | (B) | M6 Screw L10<br><b>x4</b>                            |
| <input type="checkbox"/> |  | (C) | M6 Screw L16<br><b>x8</b>                               | <input type="checkbox"/> |  | (D) | M6 Screw L12<br>* Spare 4 pcs included<br><b>x12</b> |
| <input type="checkbox"/> |  | (E) | ST Screw 4.2x19<br>* Spare 2 pcs included<br><b>x16</b> | <input type="checkbox"/> |  | (F) | Allen Key 4x4<br><b>x1</b>                           |

*\*You need a cross screwdriver to complete this assembly.*

# Step 1

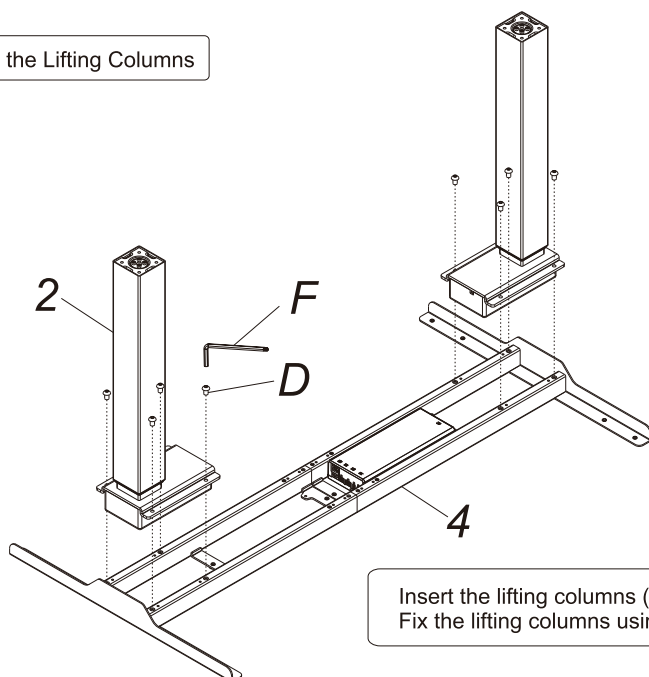
Install the Side Brackets



Attach the side brackets(5) to the ends of the supporting beam (4) using screws(A) as show with the Allen Key(F).

# Step 2

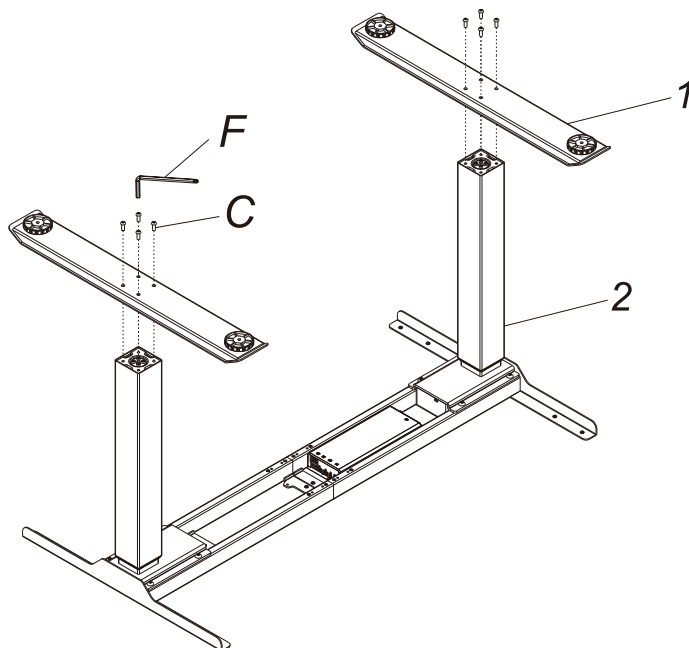
Install the Lifting Columns



Insert the lifting columns (2) into the ends of the supporting beam(4). Fix the lifting columns using screws(D) with the Allen Key(F).

# Step 3

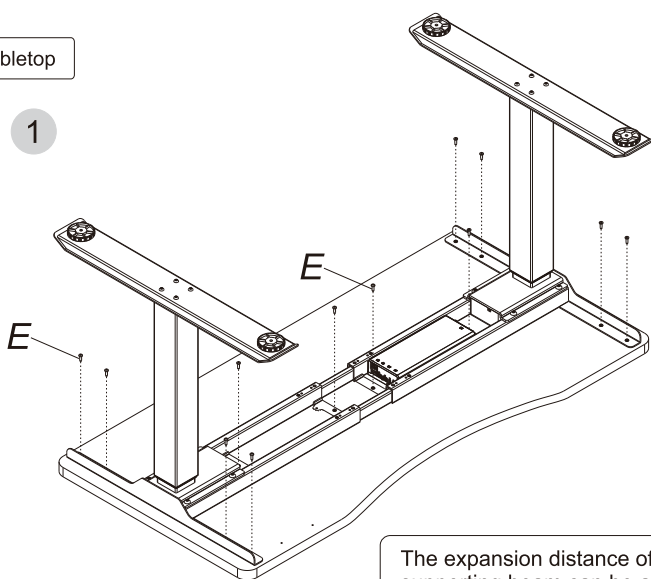
Install the Feet



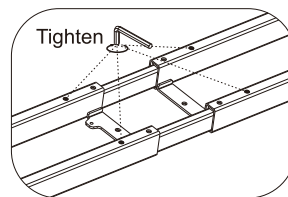
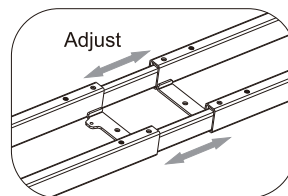
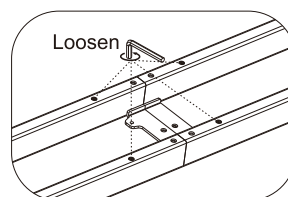
Place the feet(1) on the bottom of the lifting column(2).  
Fix the feet using screws(C) with Allen Key(F).

# Step 4

Install the Tabletop



2

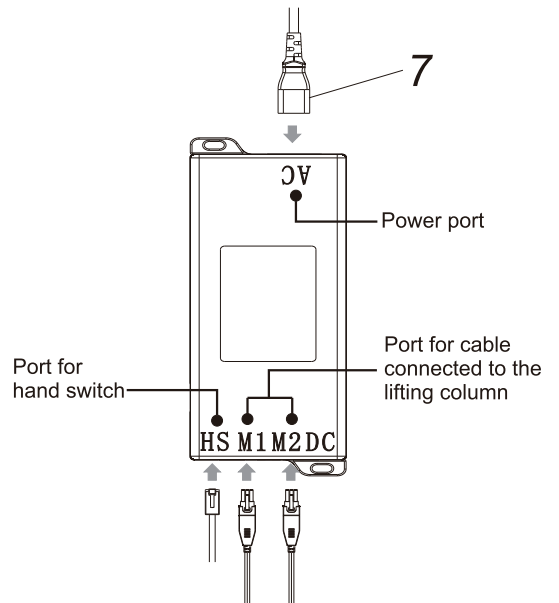
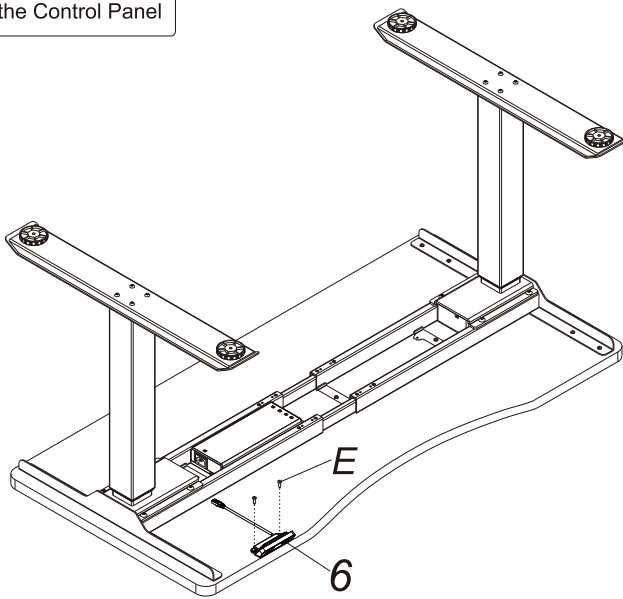


The expansion distance of the supporting beam can be adjusted according to the actual use.

# Step 5

Install the Control Panel

E x2

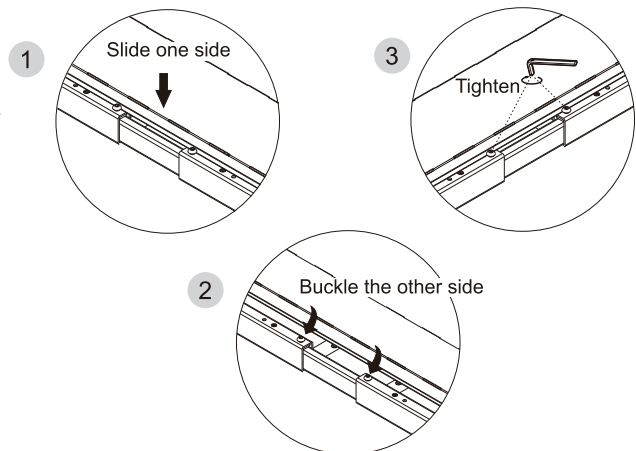
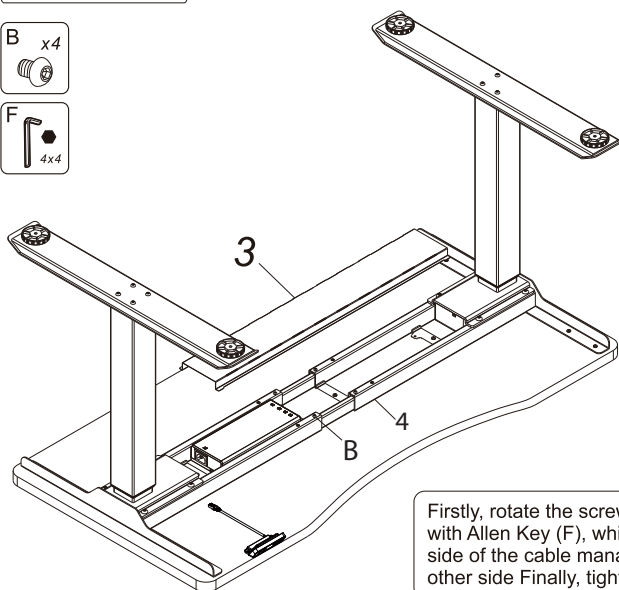


# Step 6

Install the Cable Management Tray

B x4

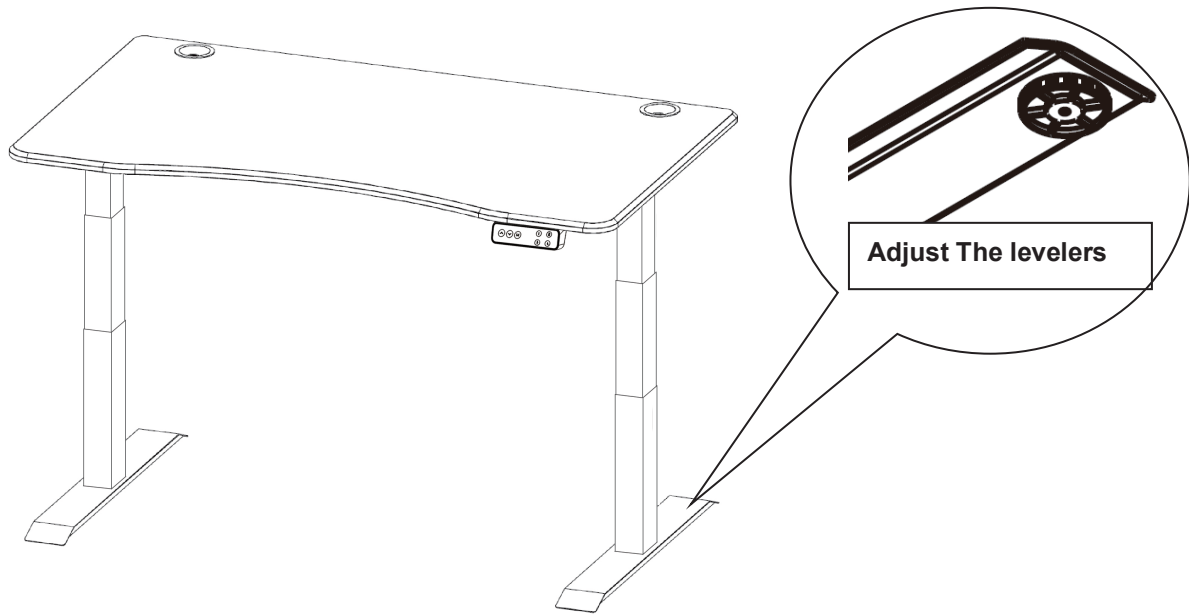
F 4x4



Firstly, rotate the screws (B) incompletely into the supporting beam (4) with Allen Key (F), which means do not tighten them. Next, slide one side of the cable management tray (3) into the screws (B), then the other side. Finally, tighten the screws (B) with Allen Key (F).

# Step 7

---



Adjust the levelers to balance the product.

---

# Finished!

---

**Congratulations, we're almost there!**  
**Please perform the following checks:**

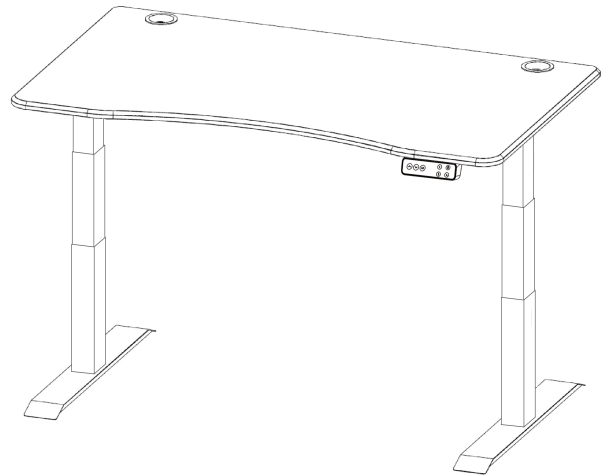
1. Ensure all bolts are tightened properly.
2. Ensure all legs are balanced.

**Always lift your Castlery product when moving it to your preferred location. Levelers (if any) may slant if you drag your product.**

**Finally, dust the product with a clean cloth (if needed).**

**You're all set! Enjoy your new living space, thanks to the addition of your Castlery product.**

Note: Your actual product may have minor size differences due to manual measurements.



# Troubleshooting

The following tips will help to detect and eliminate the common fault and errors. If the fault you met is not listed below, please contact your supplier or dealer. any onsite electrical-related investigation or amendment shall be carried out by professional electricians only.

Problem or Error	Solution
No response when pressing the "▲" or "▼" button	<ul style="list-style-type: none"> <li>• Check if all cables are properly connected. When power is connected the LED display will be on.</li> </ul>
Moving in a very low speed during height adjustment. (Regular transit speed is 1.5inch/s (38mm/s))	<ul style="list-style-type: none"> <li>• Check if desk is overloaded. Max bearing load is 275 lbs / 125 kgs.</li> </ul>
Desk is sliding downwards during stationary mode.	<ul style="list-style-type: none"> <li>• Check if desk is overloaded. Max bearing load is 275 lbs / 125 kgs.</li> </ul>
Desk can move downwards but cannot move upwards.	<ul style="list-style-type: none"> <li>• Check if desk is overloaded. Max bearing load is 275 lbs / 125 kgs.</li> <li>• Hold the down button "▼", let the desk adjust to the lowest point and rebounds to rebounds to stop, it means the reset has been finished.</li> <li>• Unplug it for at least 10 seconds and reconnect to the power, then hold the down button "▼" to start reset process when it shows "R5F".</li> </ul>
LED displays error code "R5F".	<ul style="list-style-type: none"> <li>• Hold the down button "▼", let the desk adjust to the lowest point and rebounds to rebounds to stop, it means the reset has been finished.</li> <li>• Unplug it for at least 10 seconds and reconnect to the power, then hold the down button "▼" to start reset process when it shows "R5F".</li> </ul>

# Troubleshooting

The following tips will help to detect and eliminate the common fault and errors. If the fault you met is not listed below, please contact your supplier or dealer. any onsite electrical-related investigation or amendment shall be carried out by professional electricians only.

Problem or Error	Solution
<p>Overwork-Moto has continuously worked for more than 2 minutes. This will normally trigger error code "E01" or "E02", which indicates overwork or overheat respectively.</p>	<p>Motor duty cycle: Max 2 minutes ON/18 minutes OFF.</p> <ul style="list-style-type: none"> <li>• With power remain connected, pause any motor usage (i.e. let desk stay idle at current height) for at least 18 minutes. Error code will disappear afterwards, and desk will return to working state.</li> </ul>
<p>Desk is not adjusted to the actual height as per LED displayed.</p>	<ul style="list-style-type: none"> <li>• Inaccurate height adjustment can be corrected by reset.</li> </ul>
<p>The motor does not move as instructed while power supply is properly connected. Commonly seen error code associated with this fault includes "E03", "E04", "E05", "E06", "E07" or "E08".</p>	<ul style="list-style-type: none"> <li>• This indicates a motor failure, which won't happen under normal circumstances. Contact your supplier or dealer for motor exchange to fix the issue.</li> </ul>

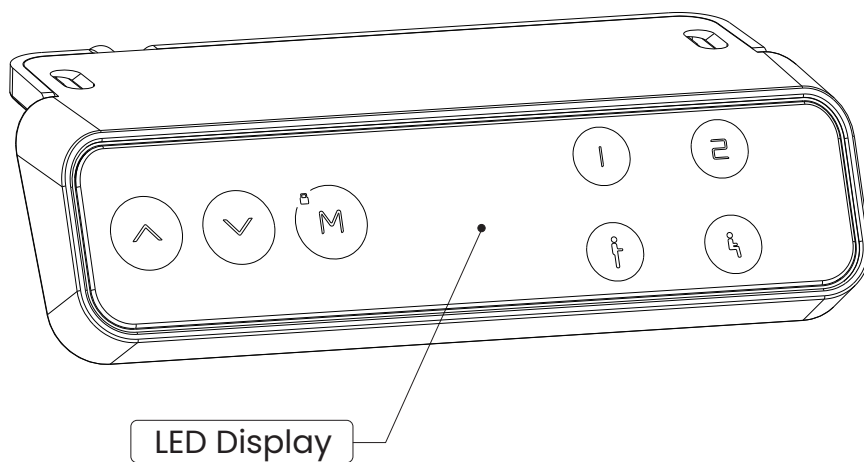
## Waste disposal



This marking indicates that this product should not be disposed with other household wastes. To prevent possible harm to the environment or human health from uncontrolled waste disposal, recycle it responsibly to promote the sustainable reuse of material resources. To return your used device, please use the return and collection systems or contact the retailer where the product was purchased. They can take this product for environmental safe recycling.

## Operation Instruction

### 1. Product Outline




### 2. Product Specification

Button introduction: There are seven buttons that "▲", "▼", "1", "2", "人", "人", "M"

- (1) "▲" : Adjust the desk upwards
- (2) "▼" : Adjust the desk downwards
- (3) "1" : Position 1, first height position saved by the user
- (4) "2" : Position 2, second height position saved by the user
- (5) "人" : the display shows "3", which means the position of the standing height the user saved.
- (6) "人" : the display shows "4", which means the position of the standing height the user saved.
- (7) "M" : Height saving button, for height memory function; Child lock: for security

### 3. Operating Instructions



#### ● Child lock function:

- Long press the M button for about 5 seconds to start the child lock or unlock.
- When the child lock is turned on, the child lock blue indicator  light up, press any button won't work.
- Only when the child lock unlocked, all the buttons will back to normal use.

#### ● Height Adjustable Function:

Press the "▲" or "▼" button to adjust the height. The LED display shows the current height.

#### ● Height Memory Function:

- Press UP or DOWN button and adjust the height to the desired height. Press "M" to save the height, and the screen will display "5-";  
Press "1", "2", or " f ", "  " then, that is, save the height to the corresponding position 1 or 2 3, or 4, which will show in the display screen as "5-1", "5-2", or "5-3", or "5-4";
- Press "1", "2" and " f ", "  " button directly to automatically adjust the memory height you saved.

#### ● Anti-collision sensitivity adjustment - optional features:

- There're 4 files of sensitivity for you to switch (A-3, A-2, A-1, A-0) depends on your need. Repeat long pressing the "▲" "▼" button for 5 seconds at the same time to switch the sensitivity.
- The display shows "A-0", the anti-collision function is off; the display shows "A-1", low sensitivity; Display shows "A-2", medium sensitivity; display shows "A-3", high sensitivity.
- During height adjustment, when tabletop comes in contact with another object, it instantly stops and reverses to avoid damage.