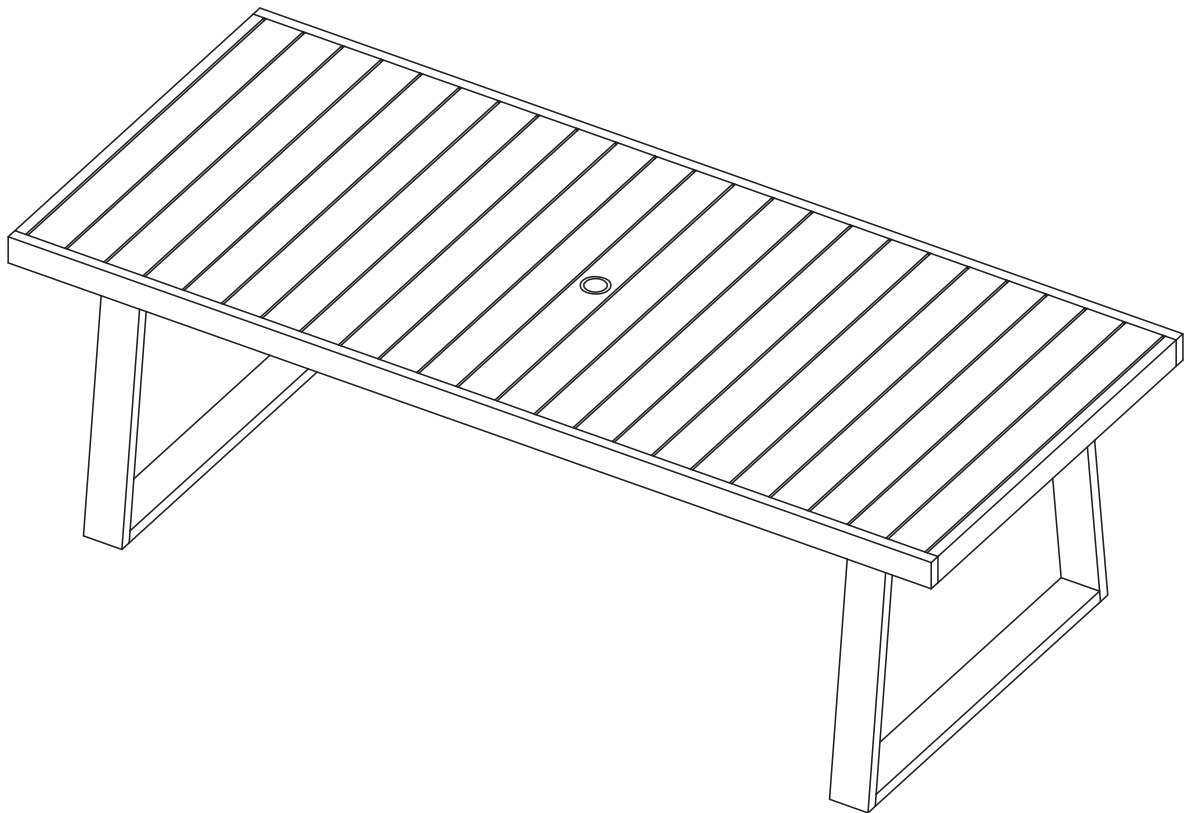


# RIO OUTDOOR DINING TABLE



# Hello there.

We're so glad that our Castlery product has found a home with you. As proud makers of modern, quality furniture, we're confident that you will love and enjoy your purchase.

Setting it up is easy. Read on for a step-by-step guide to have your item assembled and ready for use.

Once you're done, consider sharing a photo on social media or leaving us a review. We'd love to see how you've styled it in your space.

**Thank you for being part of the Castlery community!**

---

## Contact us.

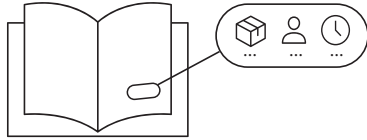
Should you have any questions or concerns regarding your purchase you can contact us via [www.castlery.com/contact-us](http://www.castlery.com/contact-us).



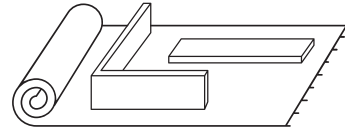
[www.castlery.com](http://www.castlery.com)



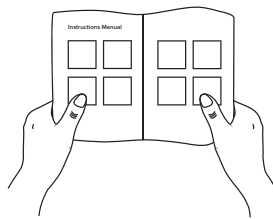
## Before you start...



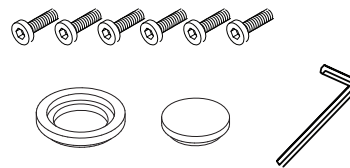
Check that you have received all cartons and familiarize yourself with the assembly requirements. This includes setting aside the allocated time required and having someone to assist you, if needed.



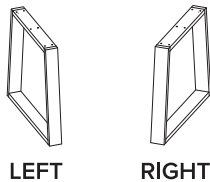
Ensure enough space for assembly. We recommend protecting your floor with a mat or cardboard to avoid scratches during the assembly process.



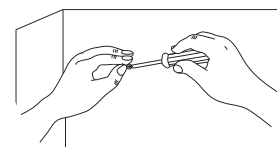
Read instructions carefully, and check that no parts are missing.



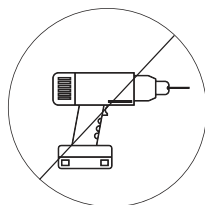
Lay out all hardware on a soft surface so you can easily identify them.



Carefully identify all components to differentiate which pieces are left and right.



Carefully install your new product following the instructions stated. Don't skip ahead!

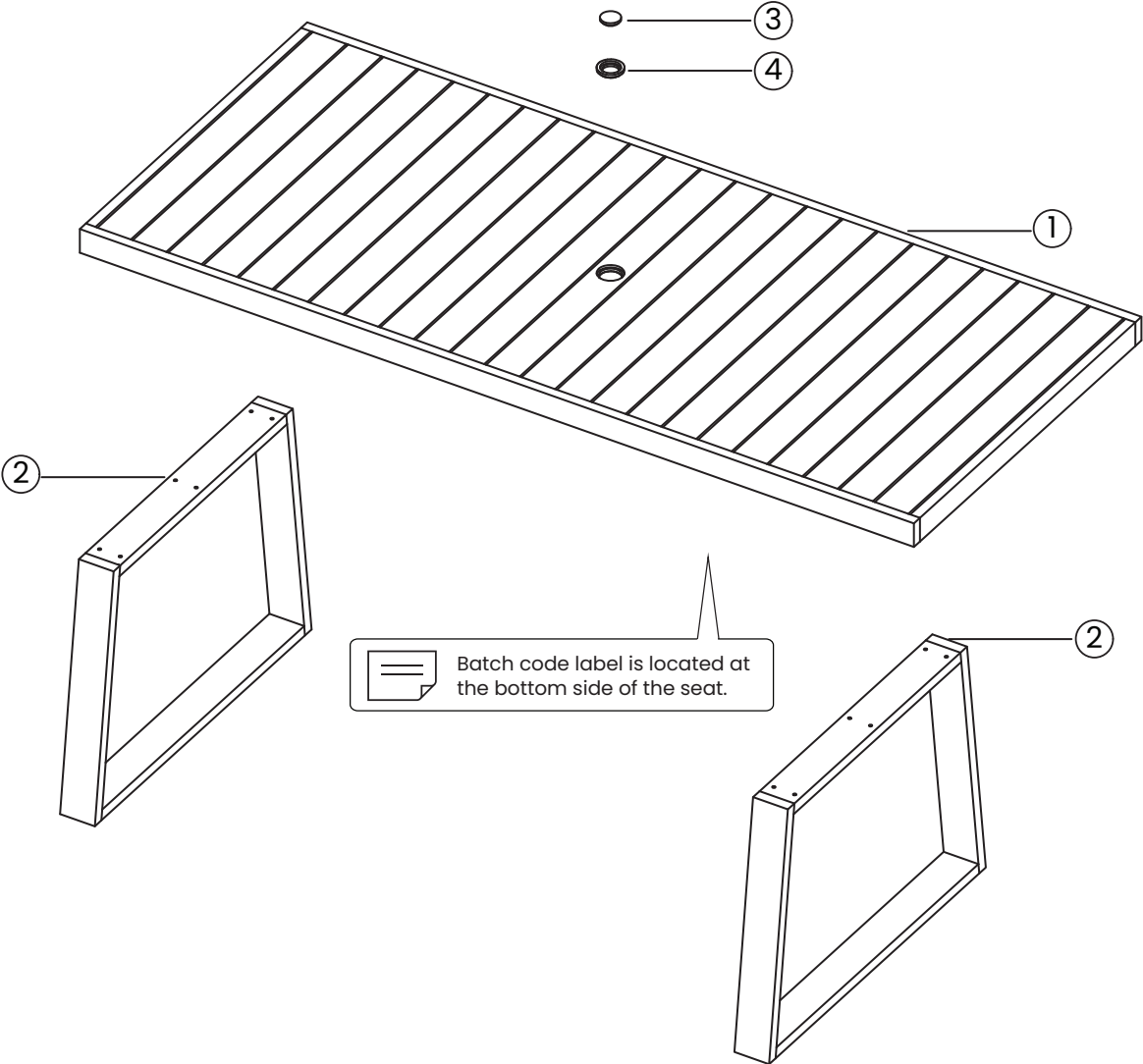


**DO NOT** over-tighten screws or use a drill. This will damage the product.

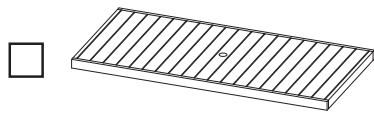


If you need further assistance, please contact us via [www.castlery.com/contact-us](http://www.castlery.com/contact-us).

# Overview



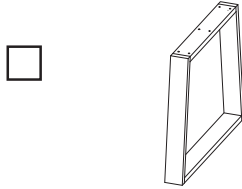
# Parts



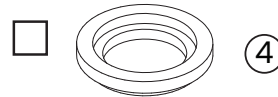
① Top  
**x1**



③ Small Parasol Cover  
**x1**

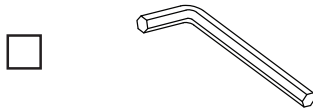


② Legs  
**x2**



④ Aluminium Parasol Cover  
**x1**





# Hardware



Ⓐ Allen Key M5  
**x1**

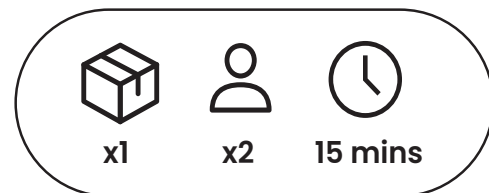


Ⓑ Bolts (M8x45)  
**x12**

-  There are inner box(es) that include components required to complete this assembly.
-  Please do not completely tighten all the hardware, until each assembly step is complete.
-  Before discarding the packaging, please use the checklist to ensure that you have all the parts required to assemble your product. Please kindly note if applicable you will need the original package if you want to return the product later.
-  If parts are missing or damaged, we will gladly ship your replacements parts free of charge. Please contact us via [www.castlery.com/contact-us](http://www.castlery.com/contact-us).

**IMPORTANT: 2 persons needed for assembly.**  
This will help to minimize potential damage to the product or injury to persons during assembly.

Illustrations in this guide are for reference only and may be slightly different from the actual object.



**x1**



**x2**

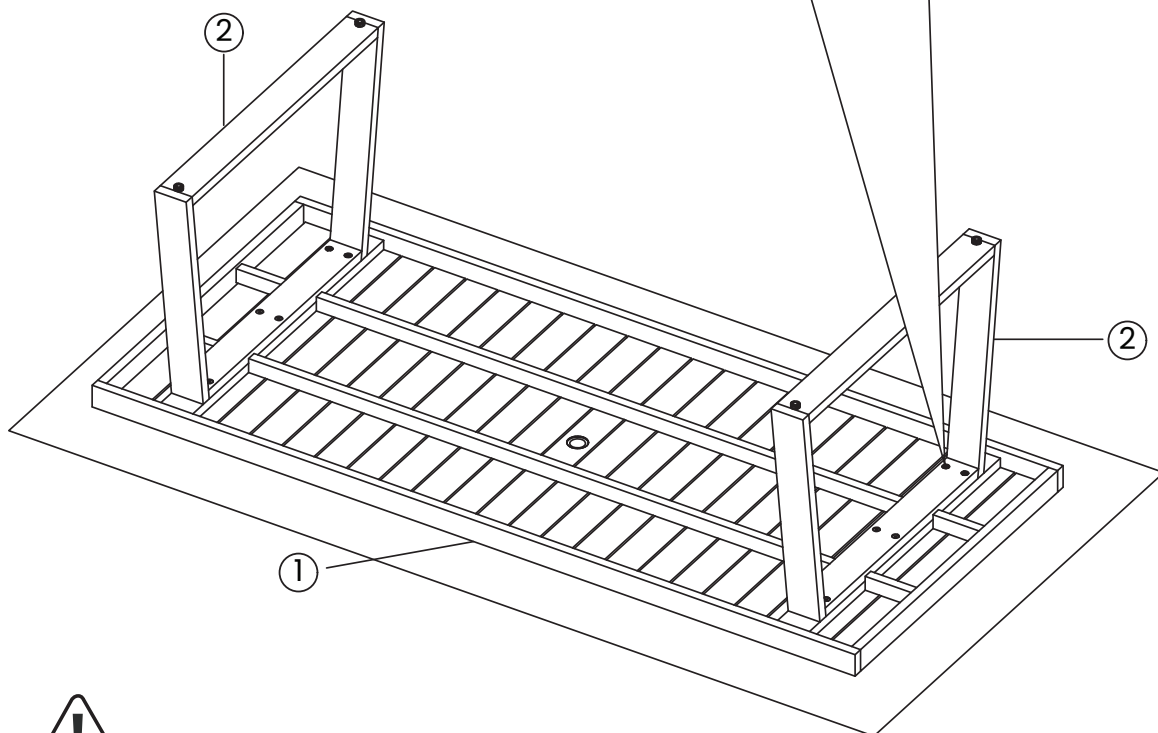
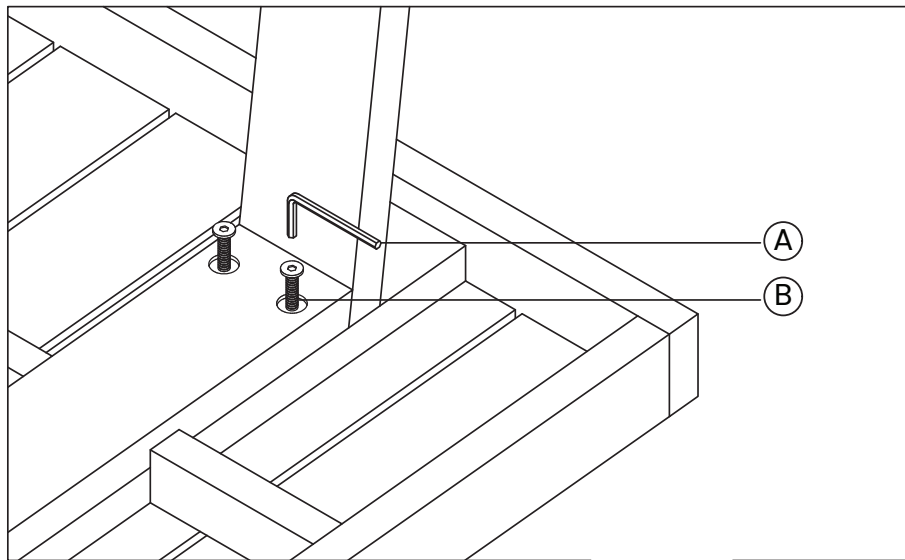


**15 mins**

# Step 1



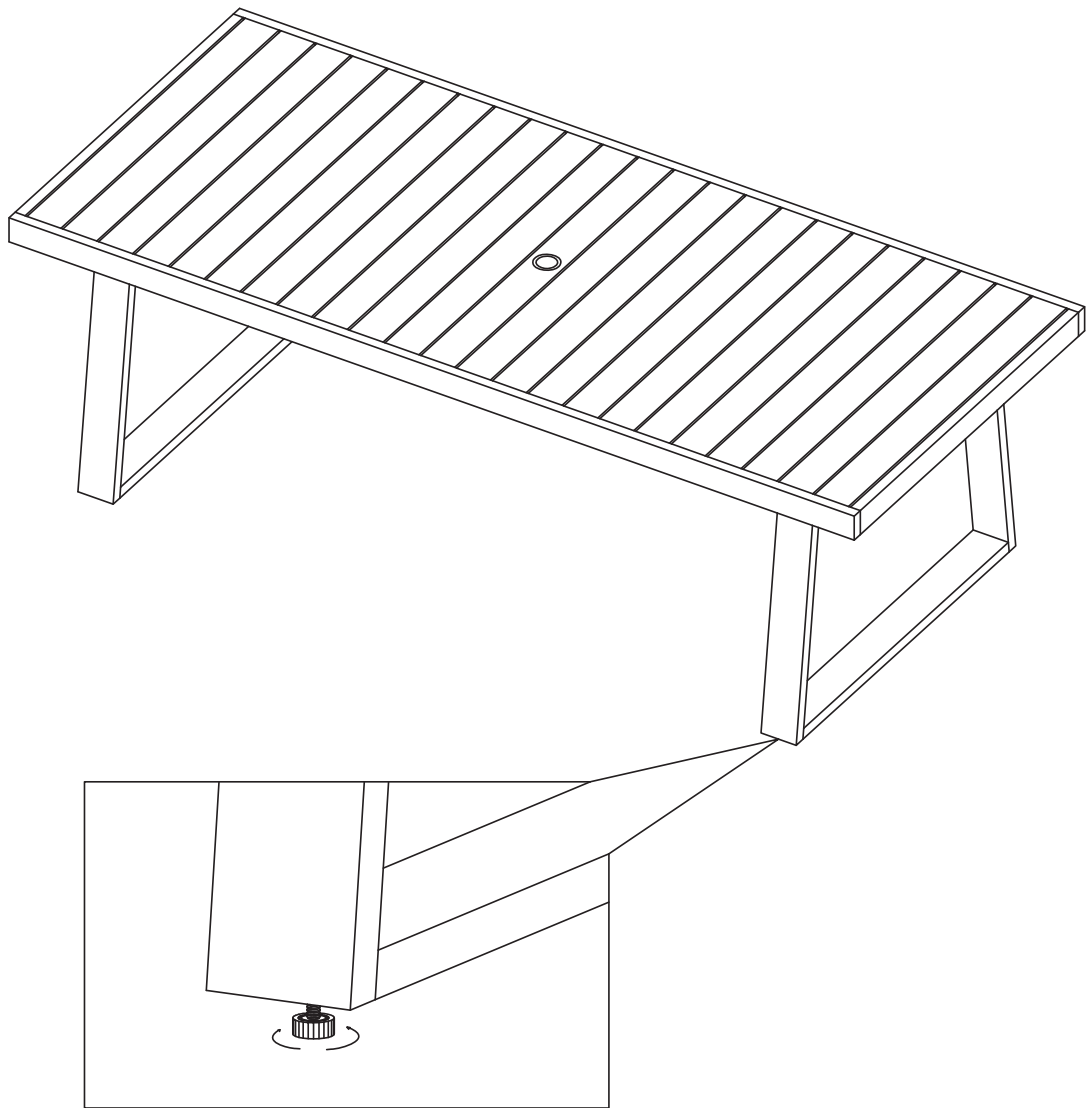
Do not tighten any bolts until all bolts are installed.



This step requires 2 people.

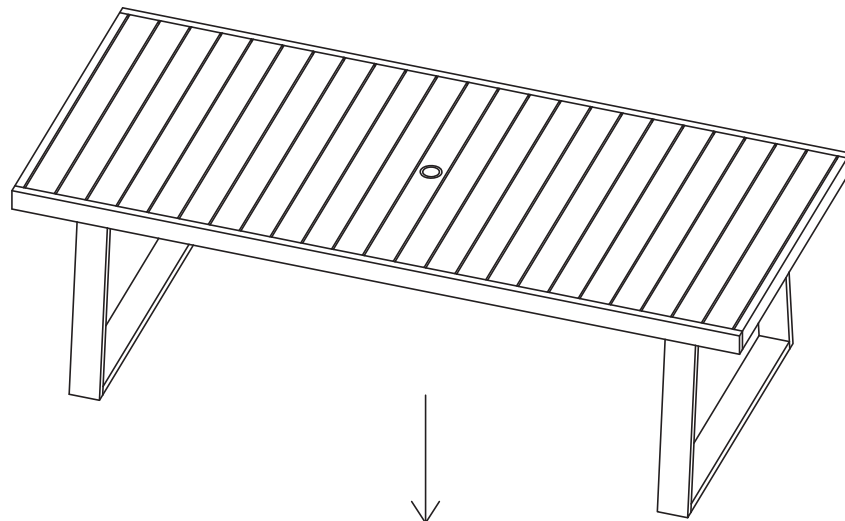
## Step 2

---

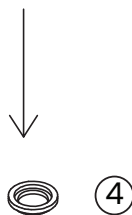


Adjust levelers until table is level.

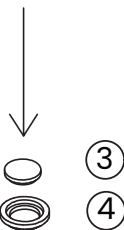
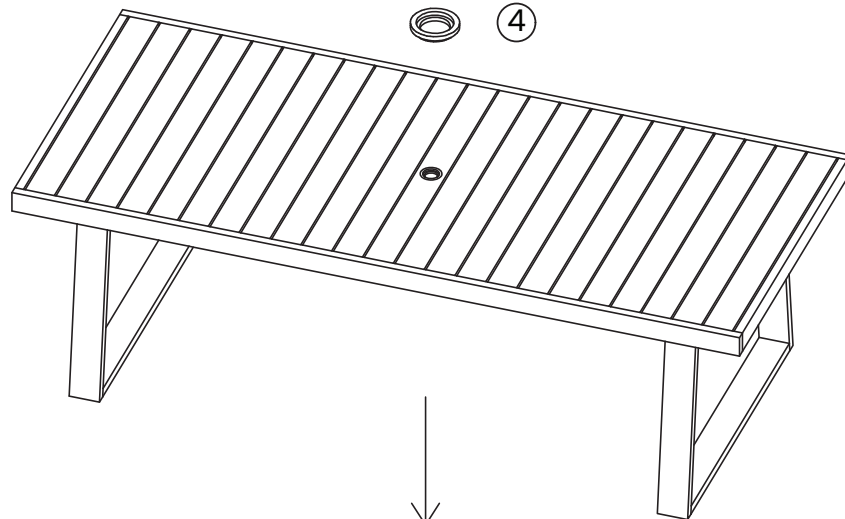
# Step 3



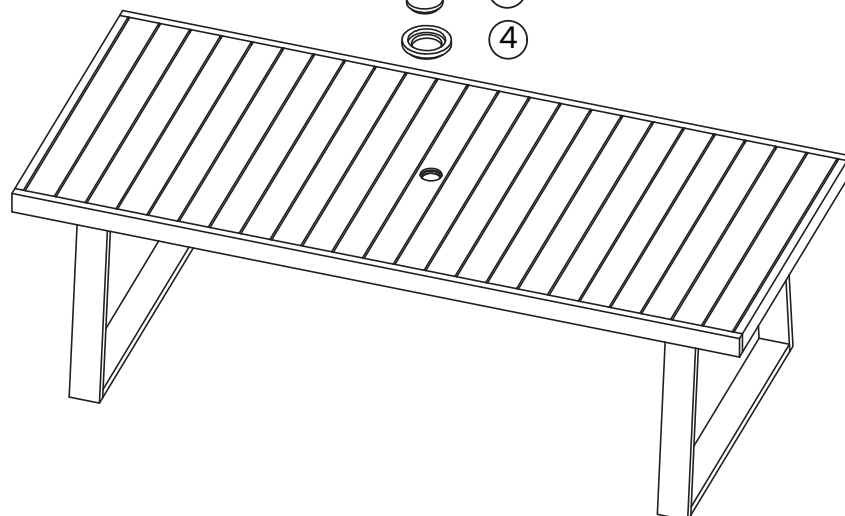
Parasol hole is suitable for parasol pole more than 1.5" diameter.



If you wish to use parasol pole with diameter of 1.5" diameter or less, please install hole adjuster Part #4



If you are not using parasol. Cover the hole by installing wood cover Part #3 and hole adjuster Part #4



# Finished!

---

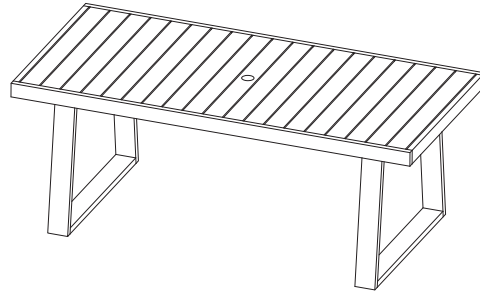
**Congratulations, we're almost there!**  
**Please perform the following checks:**

1. Have you tightened all the screws?
2. Are levelers in line with and touching the ground?

**Always lift your Castlery product when moving it to your preferred location. Levelers (if any) may slant if you drag your product.**

**Finally, dust the product with a clean cloth (if needed).**

**You're all set! Enjoy your new living space, thanks to the addition of your Castlery product.**



Note: Your actual product may have minor size differences due to manual measurements.

---

# Care Instructions

**Your furniture, if treated with respect and love, will last you a long time. Each piece requires light maintenance to maximize its longevity.**

## **Do's**

- Clean the wooden table regularly with a dry, soft cloth.
- Screws and bolts may loosen over time. Please check it regularly to tighten it.
- Always use mats or coasters before placing food or drink on the surface.
- Ensure product is completely dry before putting on outdoor covers.
- To maintain the glamour of the wood, apply teak sealer or wax once every 6 to 12 months.

## **Don'ts**

- Do not use silicone based polishes.
- Do not use abrasive cleaners that may damage the finishes.
- Avoid moving the furniture in between extreme conditions such as from outdoor under the sun to indoor air conditioned room since wood will crack naturally to adapt this environment changes.

## **Natural Characteristics:**

- Teak wood can expand and contract over time and sudden changes to temperature and humidity. This is a normal characteristic for solid teak wood.
- Natural imperfections, such as wood knots, color variations, and wood grain, should be expected for natural teak wood.
- Teak will naturally turn to silver gray patina color if left untreated Outdoors. Cover the furniture to extend the lifetime appearance or store indoors in dry and non-heated room during winters and inclement weather.

**Follow the care instructions and look after your furniture. In return, your furniture will look after you. For more information on our care instructions, visit our product website at [www.castlery.com](http://www.castlery.com).**

**We hope to see you soon!**