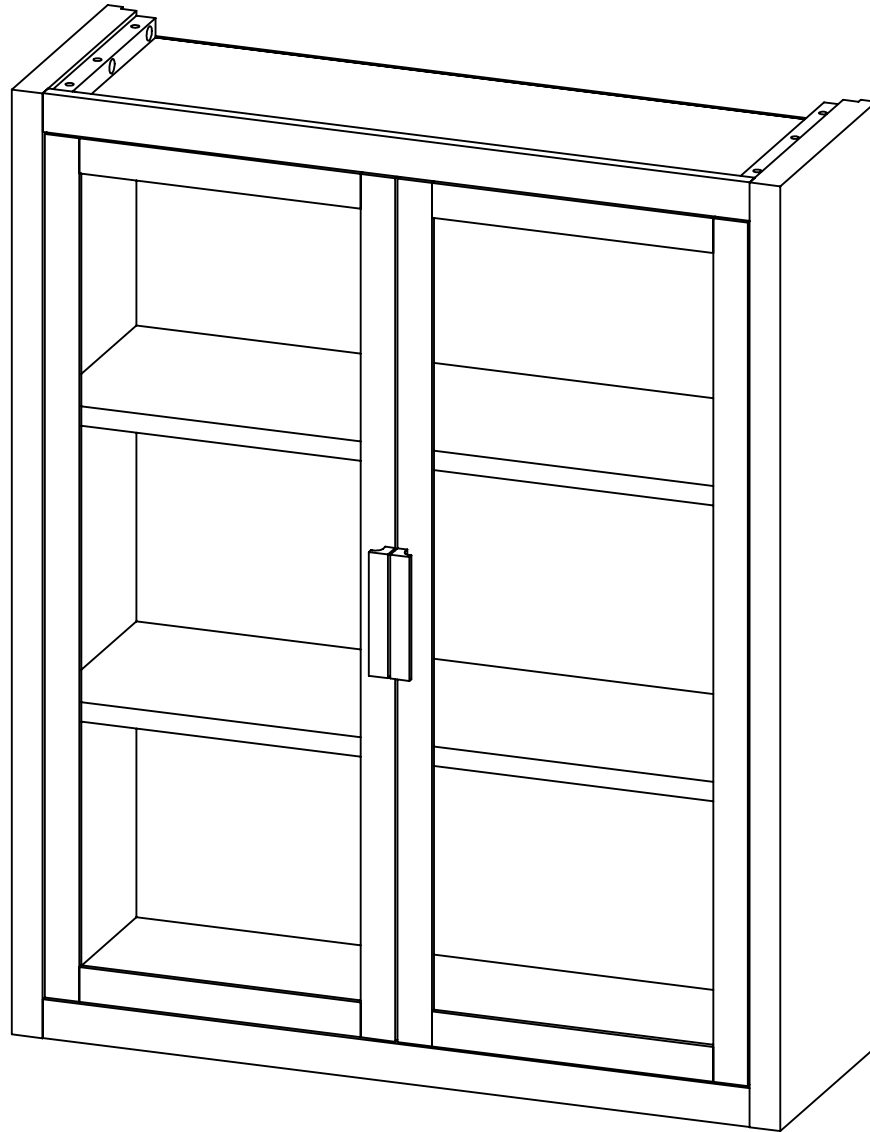


BRADLEY GLASS CABINET



Hello there.

We're so glad that our Castlery product has found a home with you. As proud makers of modern, quality furniture, we're confident that you will love and enjoy your purchase.

Setting it up is easy. Read on for a step-by-step guide to have your item assembled and ready for use.

Once you're done, consider sharing a photo on social media or leaving us a review. We'd love to see how you've styled it in your space.

Thank you for being part of the Castlery community!

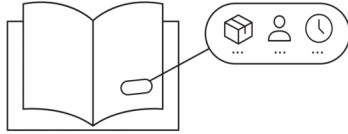
Contact us.

For any enquiries or issues regarding your purchase, you can contact us via www.castlery.com/contact-us.

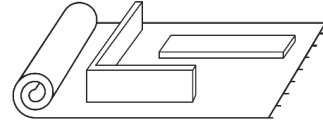


www.castlery.com

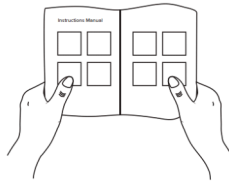
Before you start...



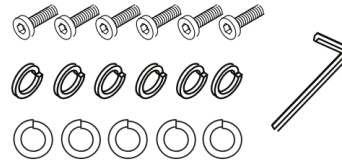
Check that you have received all cartons and familiarize yourself with the assembly requirements. This includes setting aside the allocated time required and having someone to assist you, if needed.



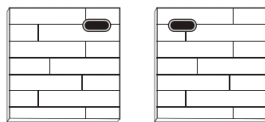
Ensure enough space for assembly. We recommend protecting your floor with a mat or cardboard to avoid scratches during the assembly process.



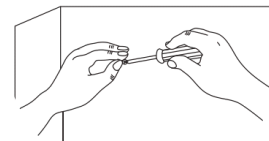
Read instructions carefully, and check that no parts are missing.



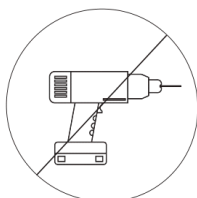
Lay out all hardware on a soft surface so you can easily identify them.



Carefully identify all components to differentiate which pieces are left and right.



Carefully install your new product following the instructions stated. Don't skip ahead!

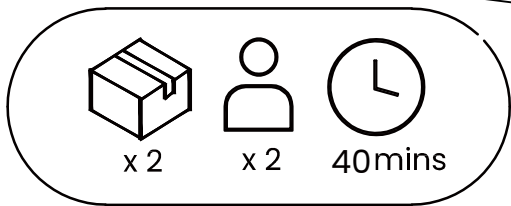
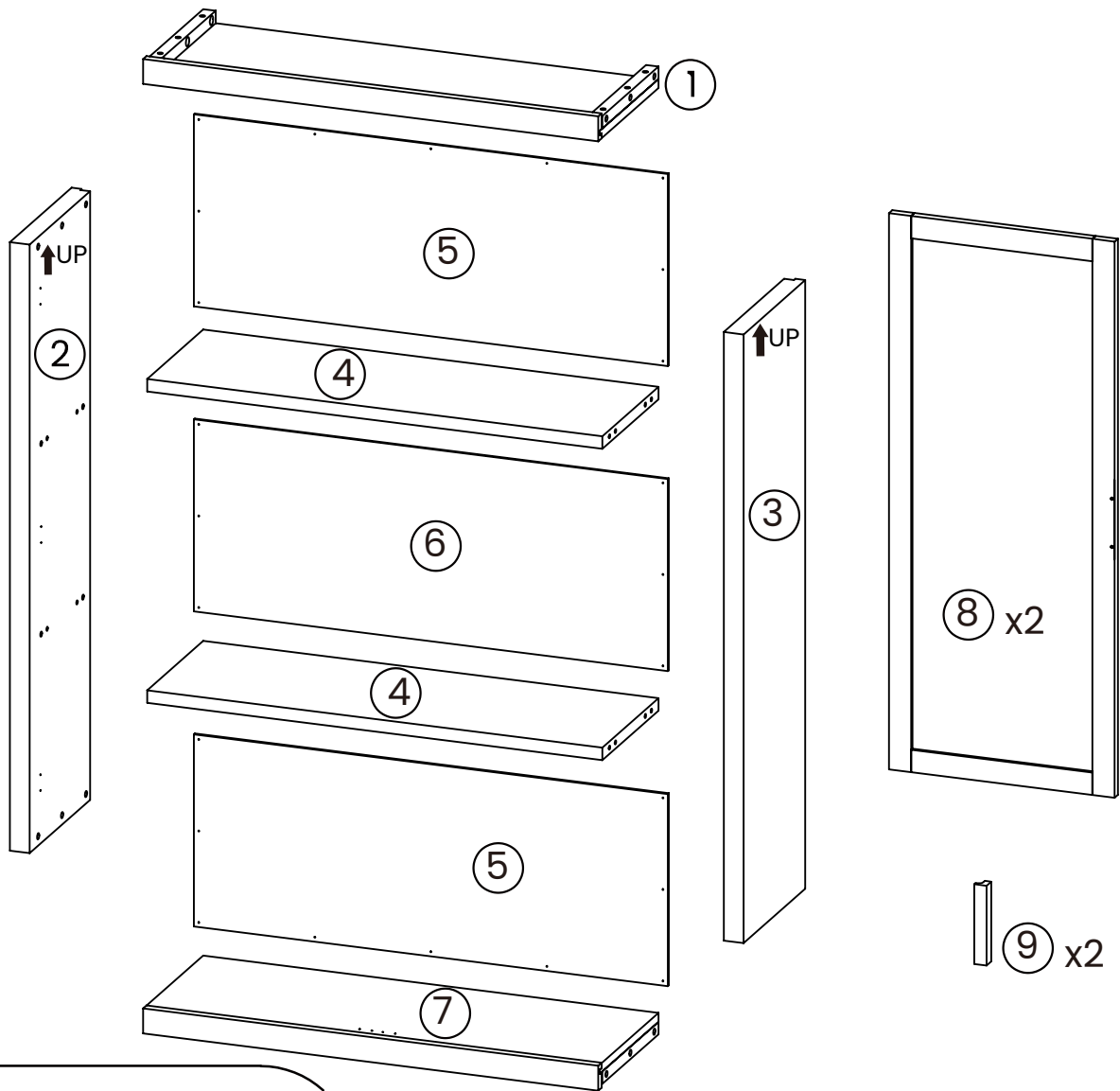


DO NOT over-tighten screws or use a drill. This will damage the product.



If you need further assistance, please contact us via www.castlery.com/contact-us.

Overview



IMPORTANT: 2 persons needed for assembly.

This will help to minimize potential damage to the product or injury to persons during assembly.



There are inner box(es) that include components required to complete this assembly.



Please do not completely tighten all the hardware, until each assembly step is complete.



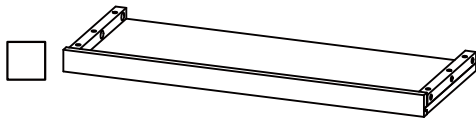
Before discarding the packaging, please use the checklist to ensure that you have all the parts required to assemble your product. Please kindly note if applicable please keep the original package when you want to return the product later.



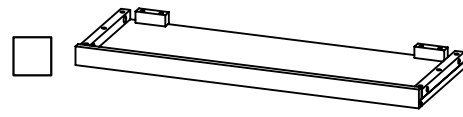
If parts are missing or damaged, we will gladly ship your replacements parts free of charge. Please contact us via www.castlery.com/contact-us. Illustrations in this guide are for reference only and may be slightly different from the actual object.

Parts

BOX 1 OF 2



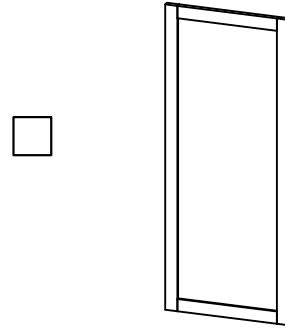
① Top
x1



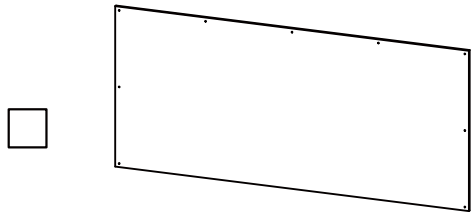
⑦ Bottom
x1



④ Shelves
x2



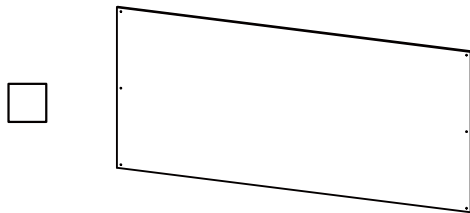
⑧ Glass Doors
x2



⑤ Back
x2

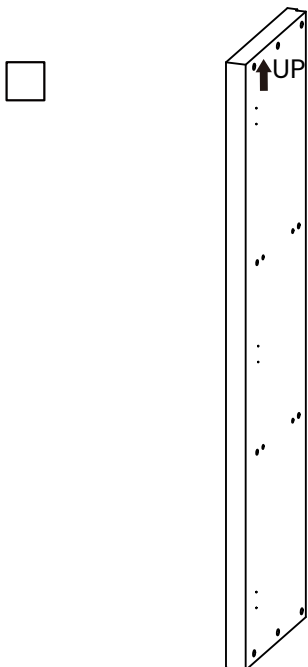


⑨ Handles
x2

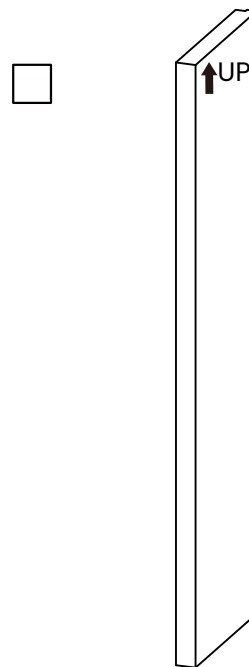


⑥ Back
x1

BOX 2 OF 2








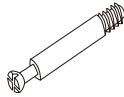



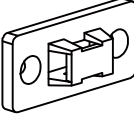




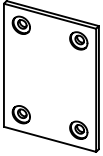


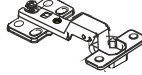



② Left Side
x1



③ Right Side
x1

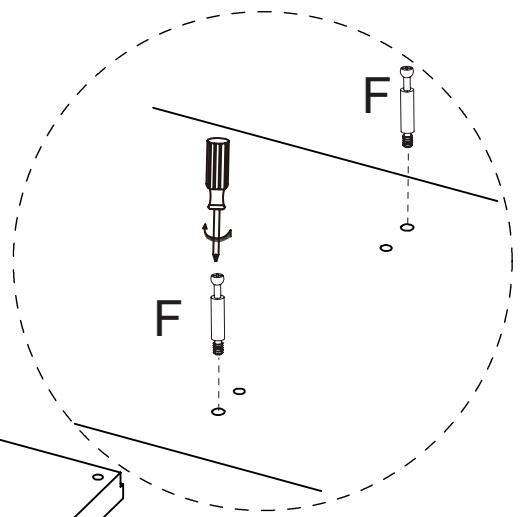
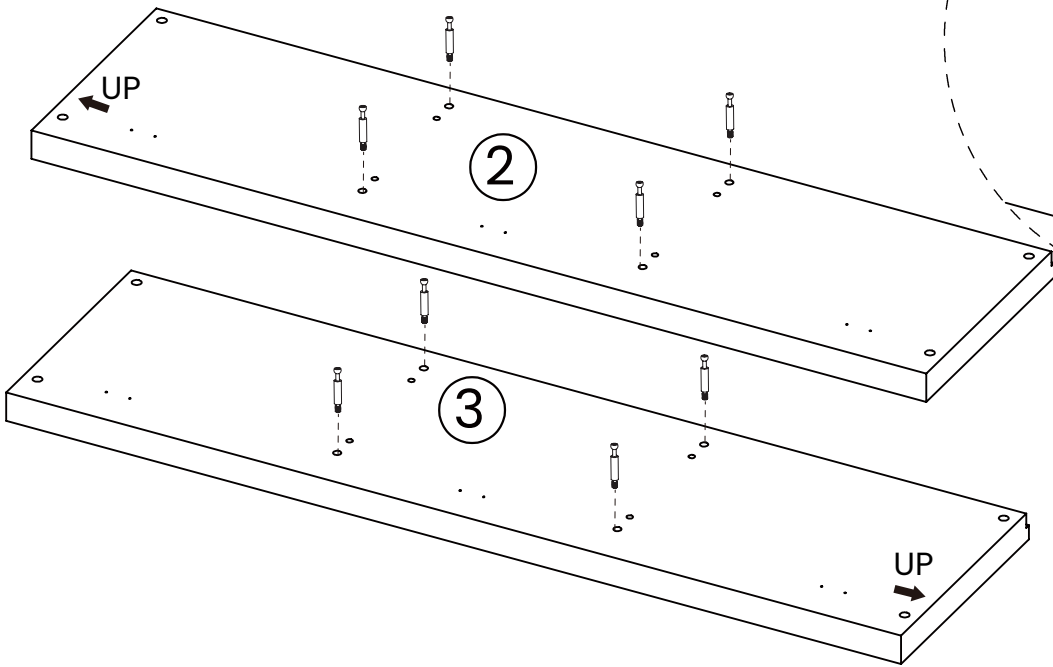
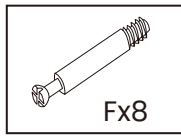
Hardware

BOX 1 OF 2

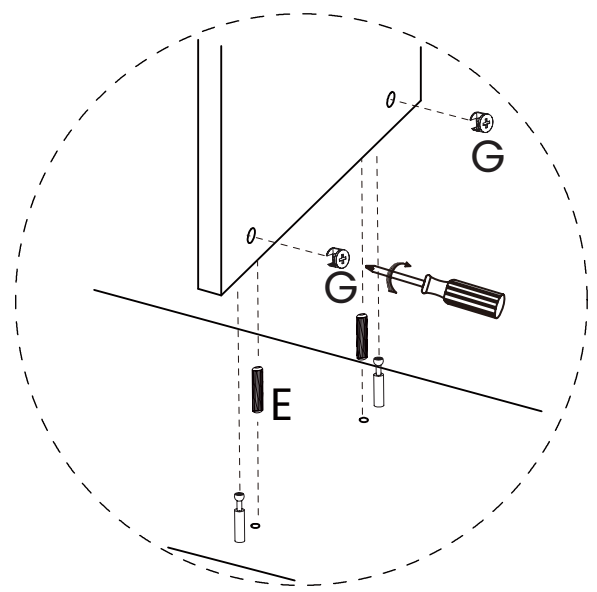
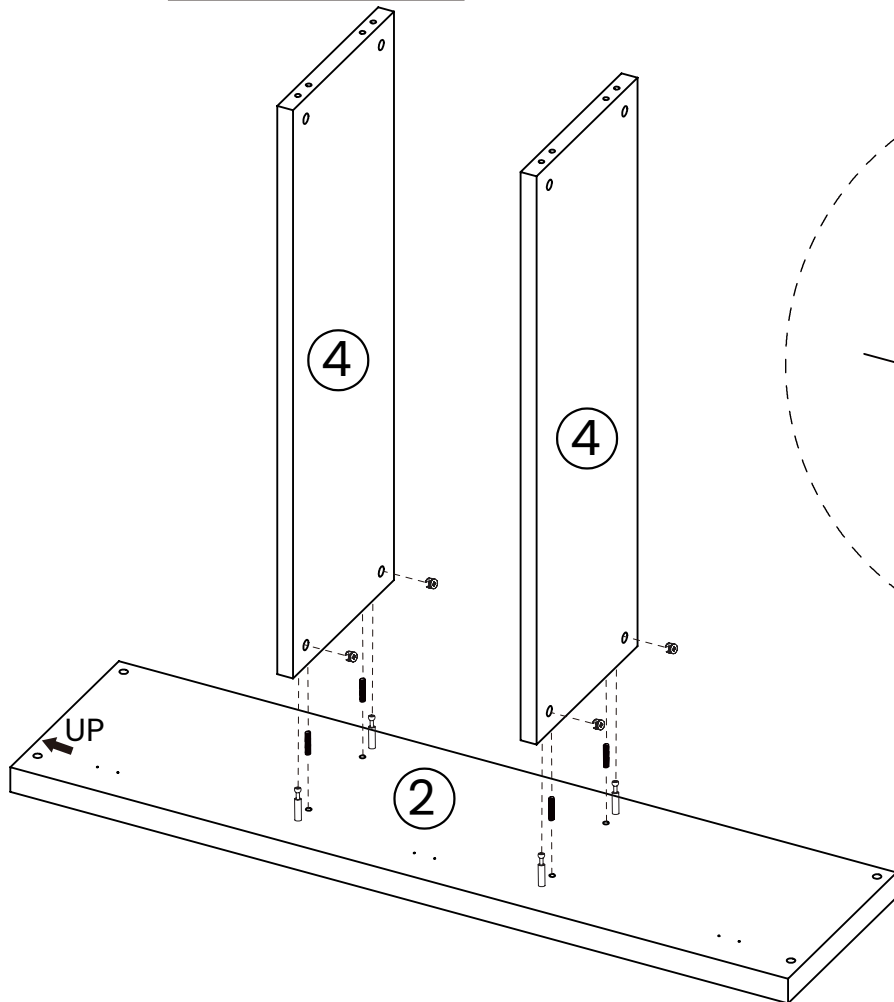
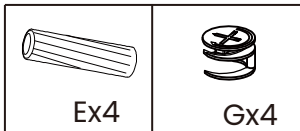
- | | | | | | |
|--------------------------|---|---|--------------------------|--|---|
| <input type="checkbox"/> |  | (A) Bolts (M8x30)
x8 | <input type="checkbox"/> |  | (B) Large Flat Washers (Ø8/16 x1)
x8 |
| <input type="checkbox"/> |  | (C) Allen Key 5mm
x1 | <input type="checkbox"/> |  | (D) Spring Washers (Ø8)
x8 |
| <input type="checkbox"/> |  | (E) Dowels (Ø8x30)
x8 | <input type="checkbox"/> |  | (F) Cambolt (M7x45)
x8 |
| <input type="checkbox"/> |  | (G) Camlock (Ø15X13)
x8 | <input type="checkbox"/> |  | (H) Screws (Ø3.5x15)
x30 |
| <input type="checkbox"/> |  | (I) Small Flat Washers (Ø5/12 x1)
x6 | <input type="checkbox"/> |  | (J) Brackets
x4 |
| <input type="checkbox"/> |  | (K) Safety Strap
x2 | <input type="checkbox"/> |  | (L) Long Screws (M4x40)
x4 |
| <input type="checkbox"/> |  | (M) Short Screws (M4x20)
x4 | <input type="checkbox"/> |  | (N) Plastic Stopper
x4 |
| <input type="checkbox"/> |  | (O) Iron Plate (73x53x3mm)
x2 | <input type="checkbox"/> |  | (P) Short Screws (M4x35)
x8 |
| <input type="checkbox"/> |  | (Q) Hinge Screws (M4x15)
x36 | <input type="checkbox"/> |  | (R) Hinges
x6 |
| <input type="checkbox"/> |  | (S) Handle Screws (M4x25)
x4 | <input type="checkbox"/> |  | (T) Magnet
x4 |
| <input type="checkbox"/> |  | (U) Screws (M3.5x12)
x8 | | | |

**You will need a screwdriver(+/-) to complete this assembly.*

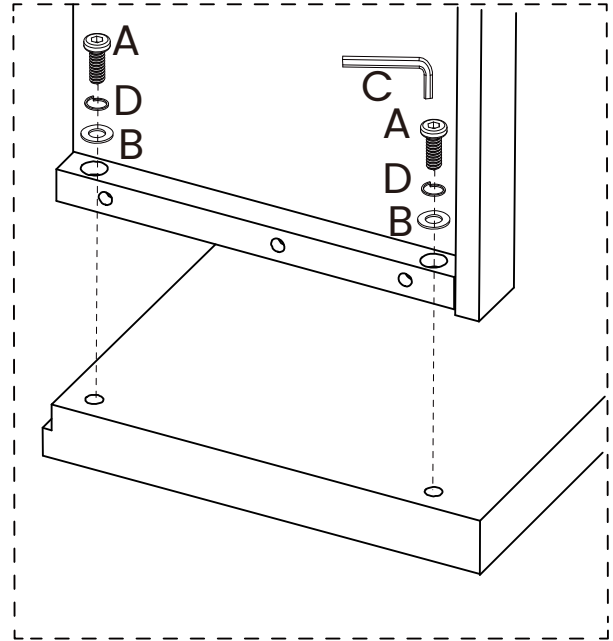
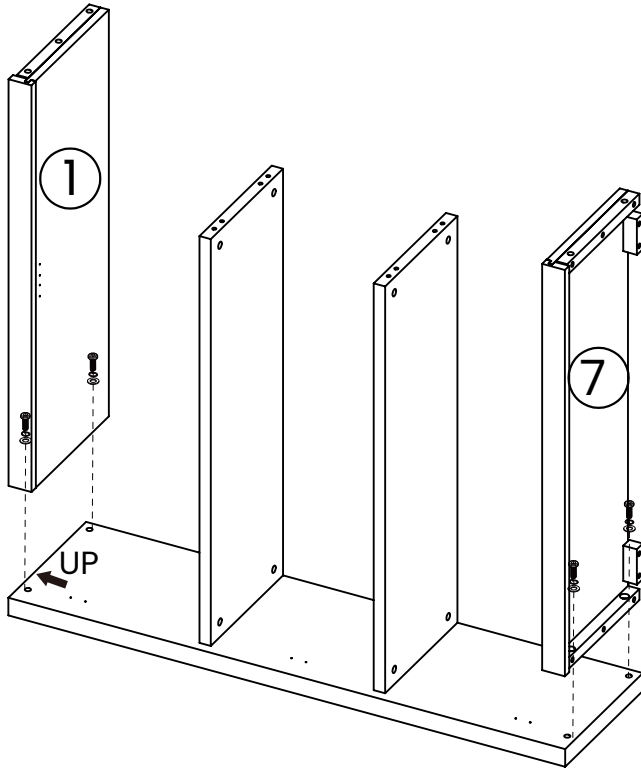
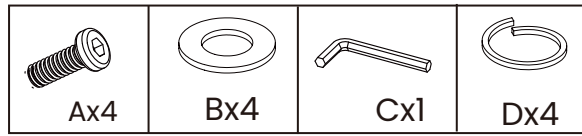
Step 1



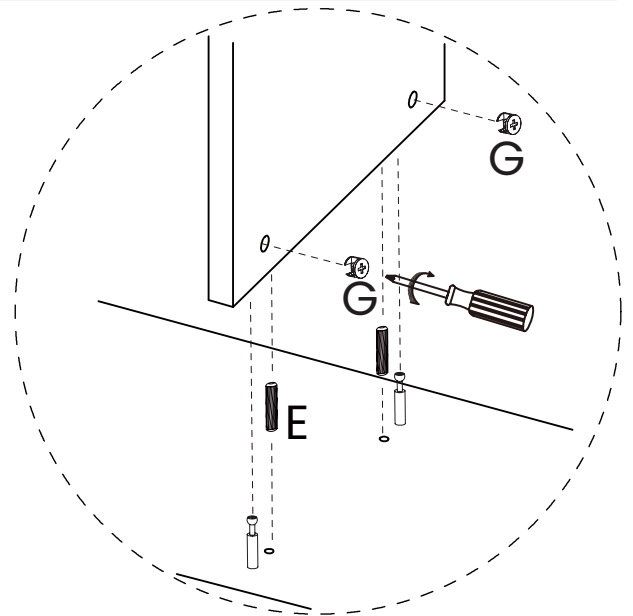
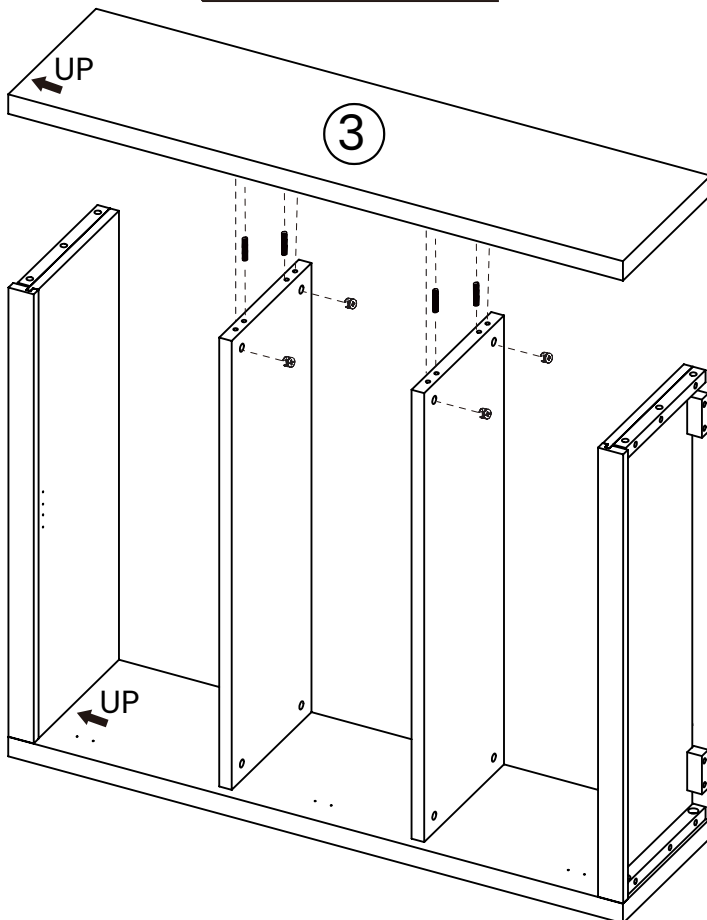
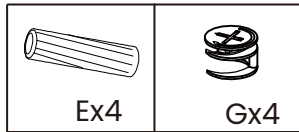
Step 2



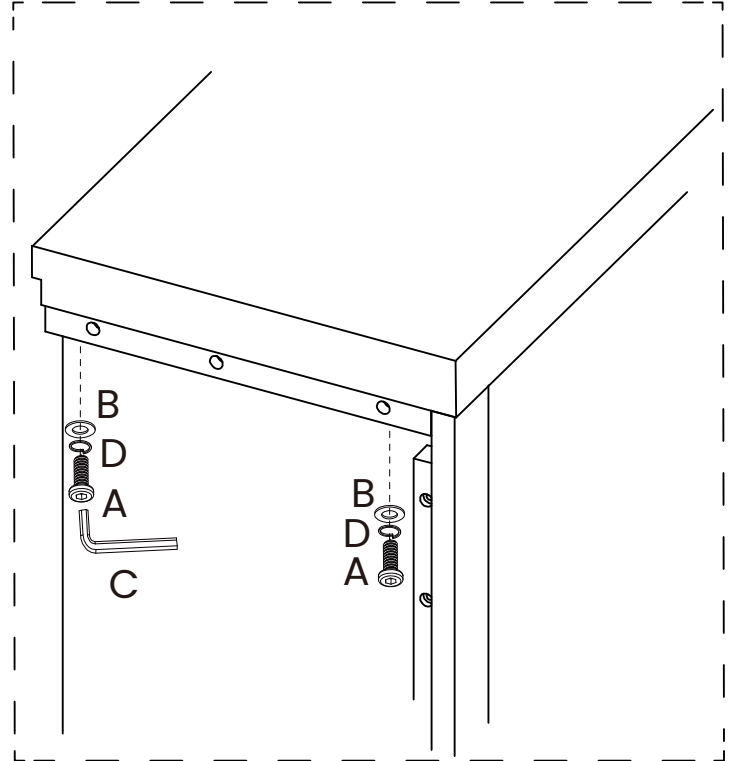
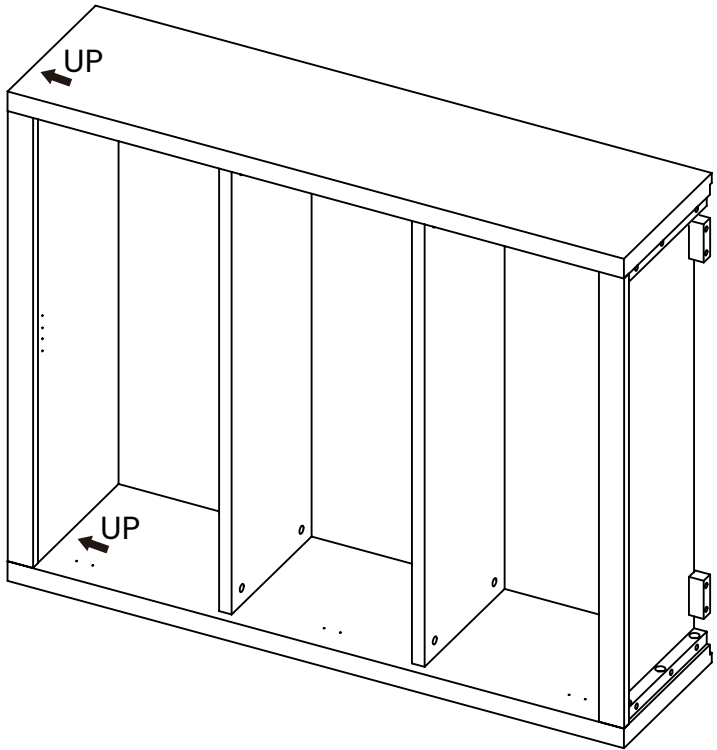
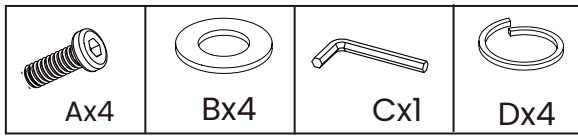
Step 3



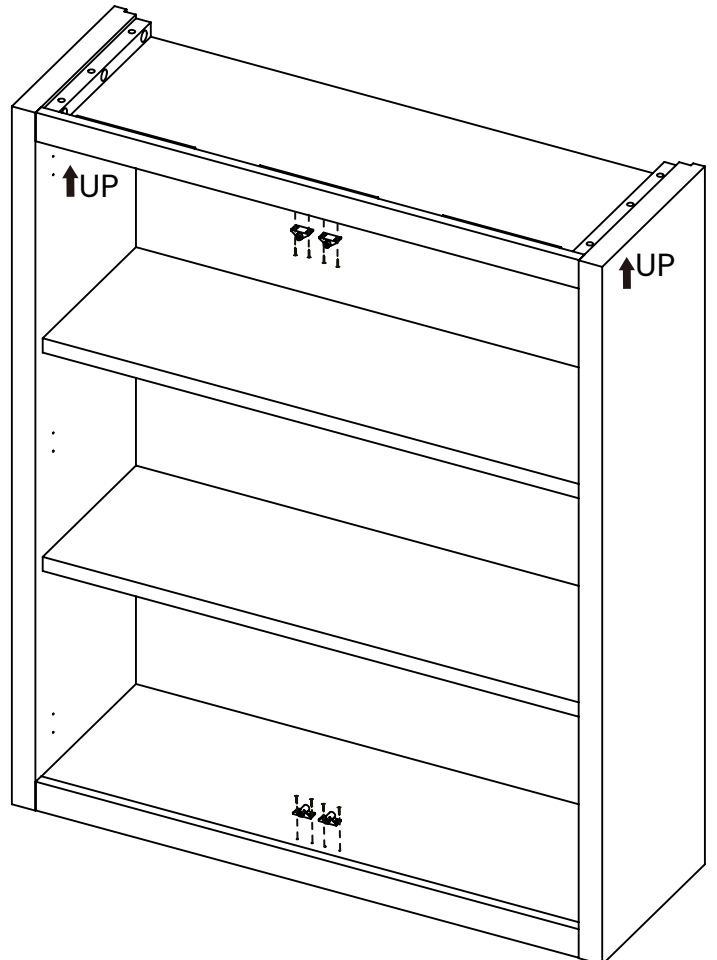
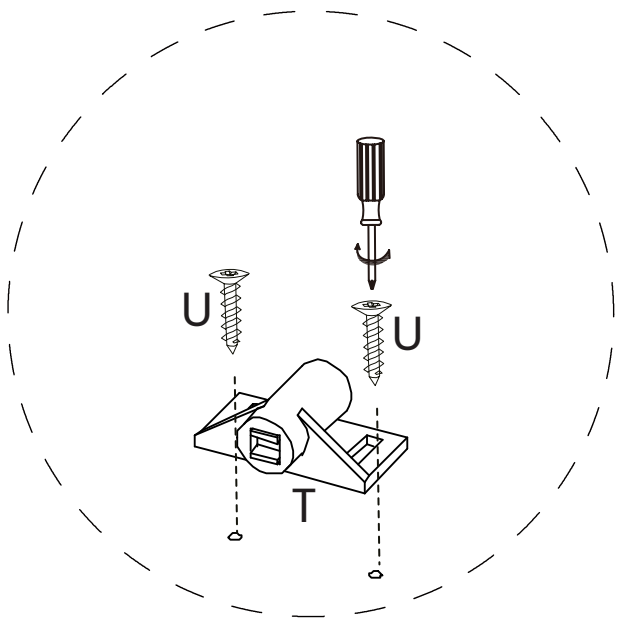
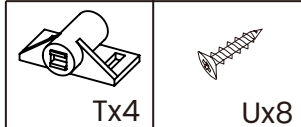
Step 4



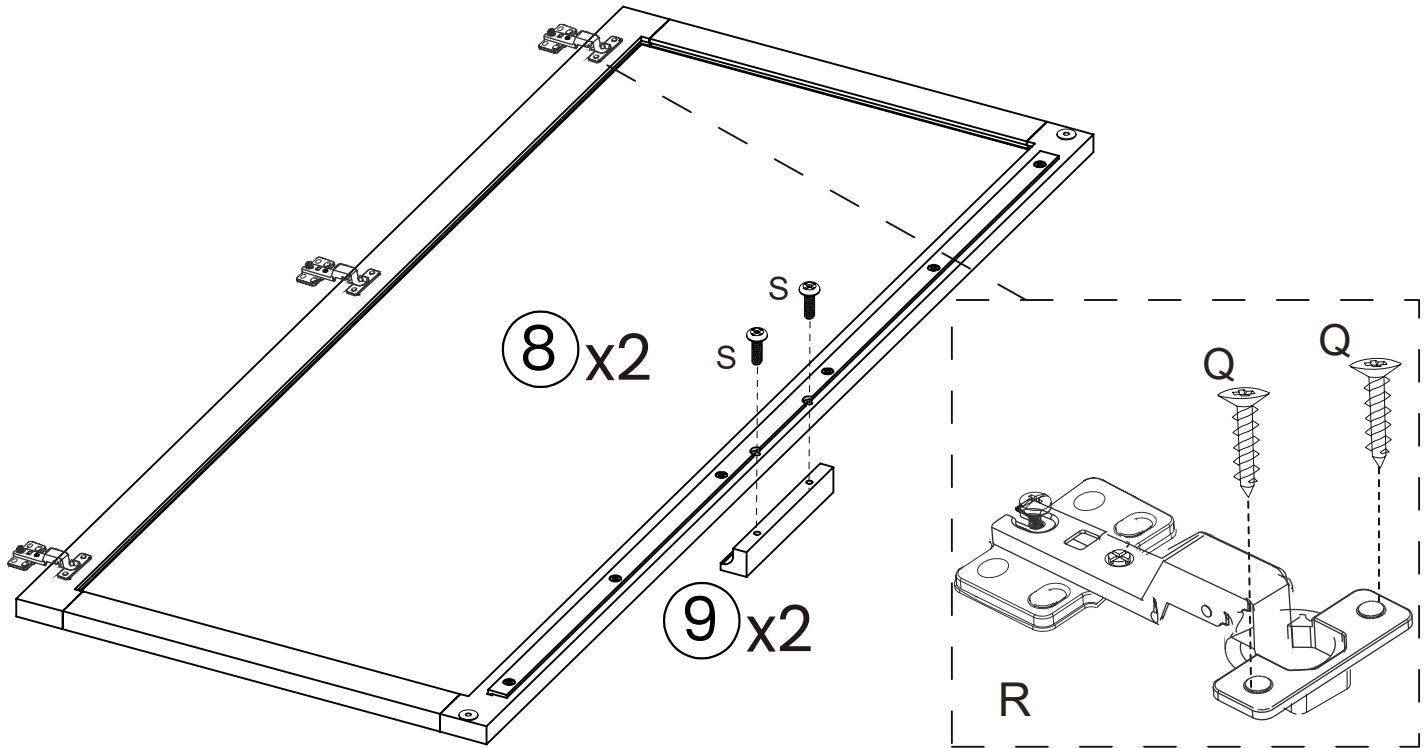
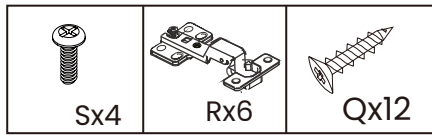
Step 5



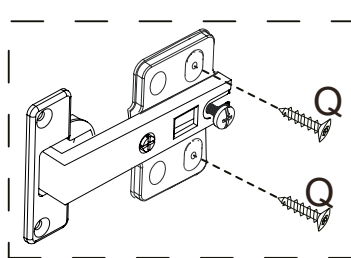
Step 6



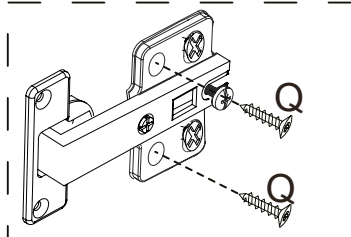
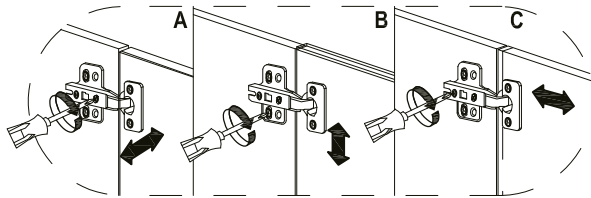
Step 7



Step 8

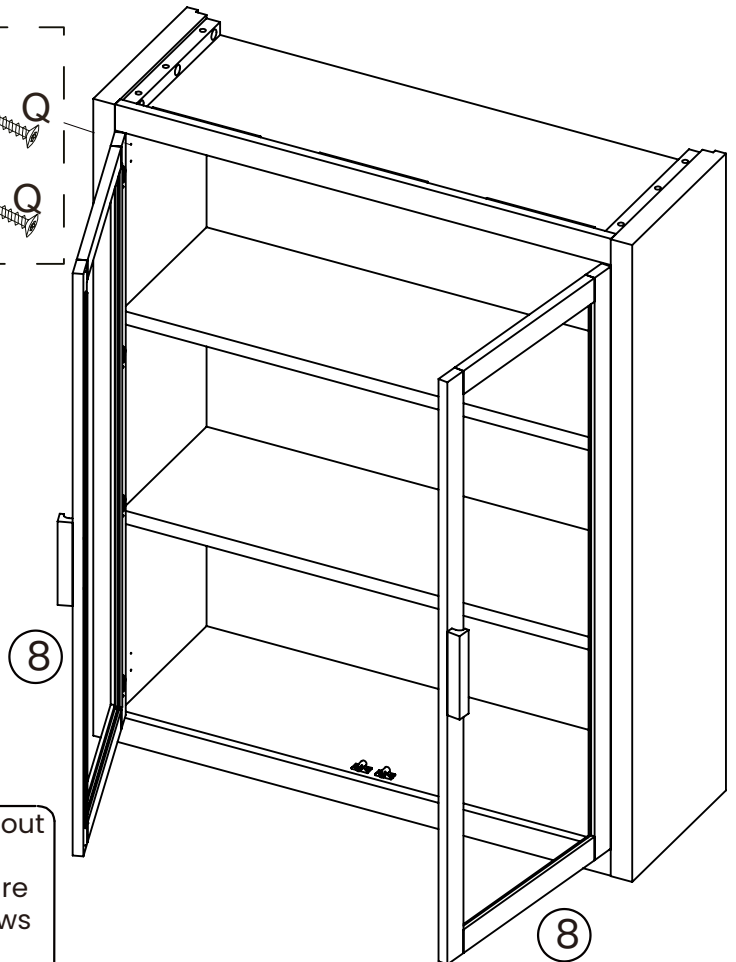


Only tighten the two screws at the position of the pre-drill hole.

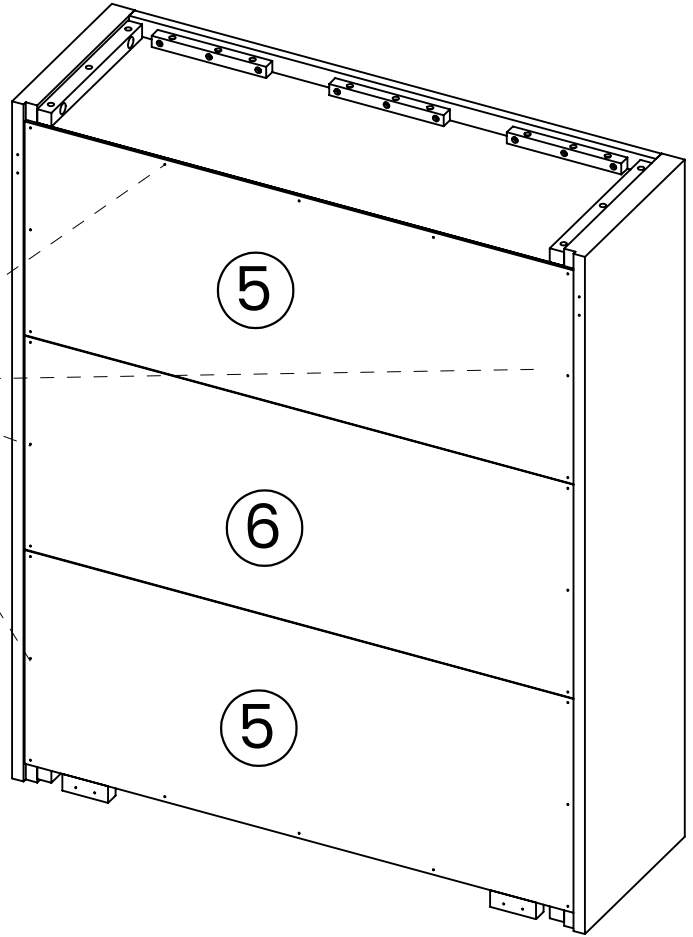
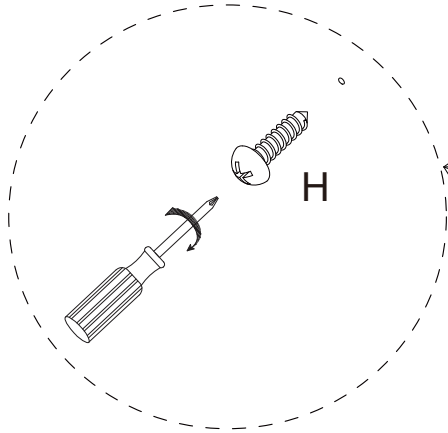
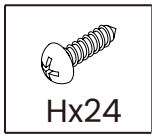


After doors adjusting and make sure without door misalign issue, continue to fit the remaining screws for each hinge. There are no screw holes, just push and rotate screws to make it tighten into the wooden panel.

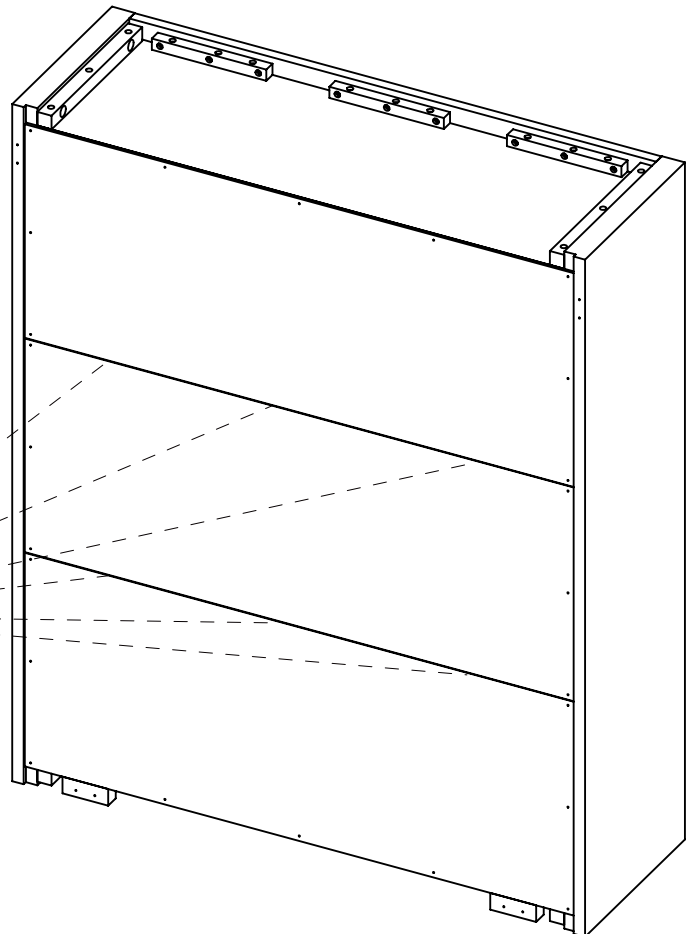
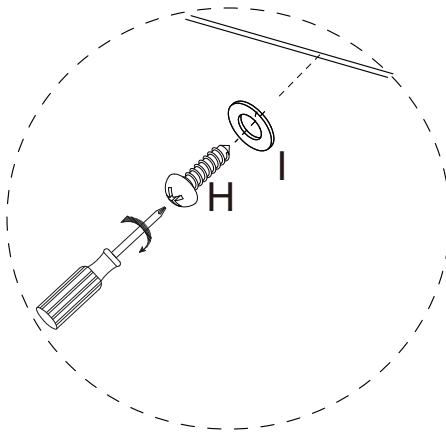
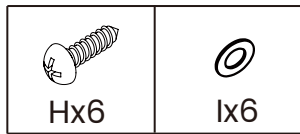
2 persons required.



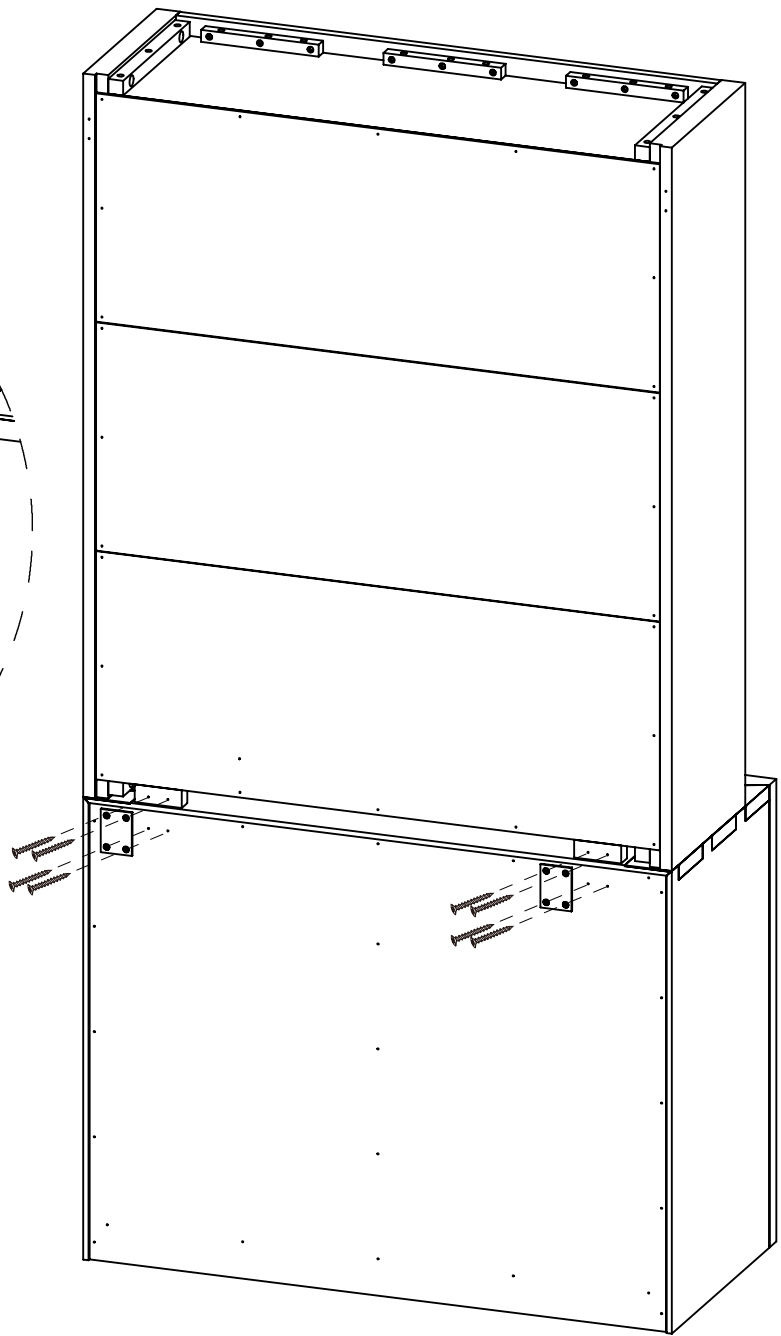
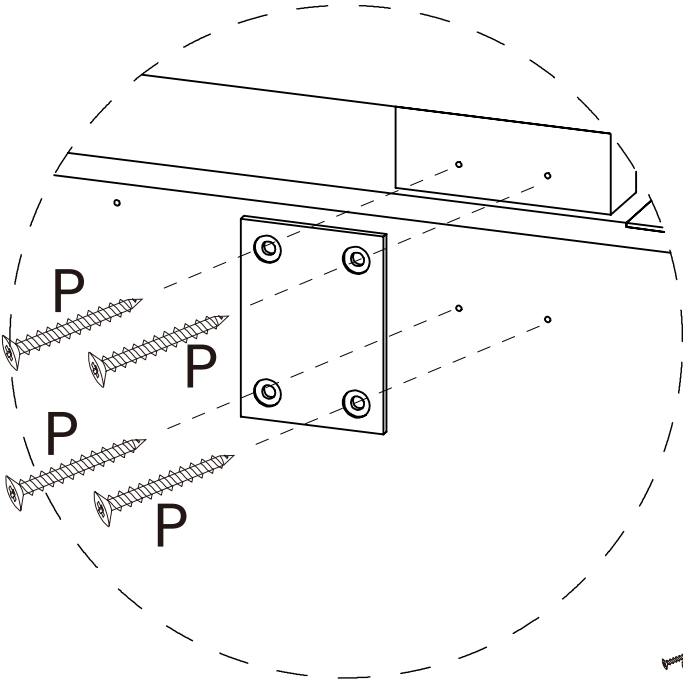
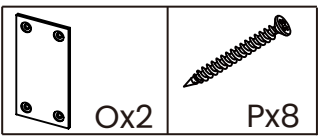
Step 9



Step 10



Step 11



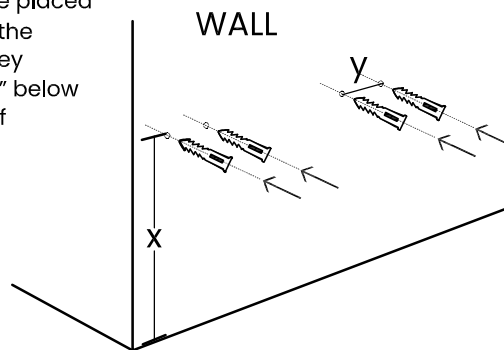
Connect the Hutch and base by the Iron plate and screws, Base needs to be purchased separately.

Anti-tip Kit Assembly Instruction

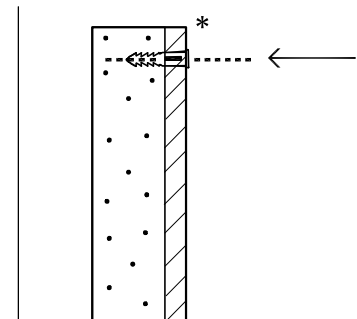
To prevent injury and property damage from unexpected tipping of furniture, we highly recommend installation of the anti-tip kit included with this product.

Step 12

Determine where the piece is to be placed and mark location on the wall for the mounting bracket screw holes. They should be placed approximately 1" below the top on the back of the piece of furniture.

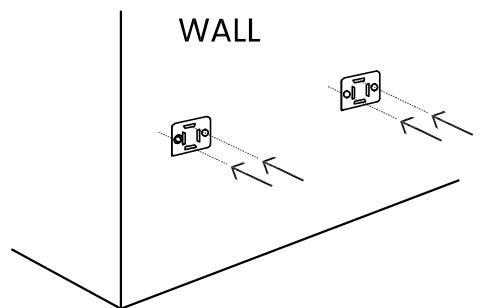
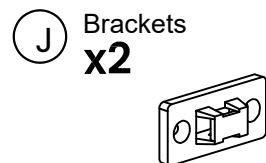
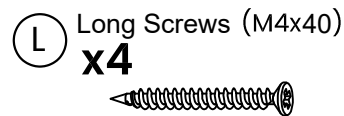


*Repeat for all 4 screws.

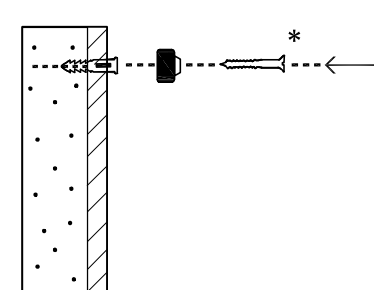


Step 13

Attach the mounting bracket vertically/horizontally to the wall by inserting the long screws provided through the holes in the bracket and tightening securely using screw-driver. Screws must penetrate wall studs for proper installation.



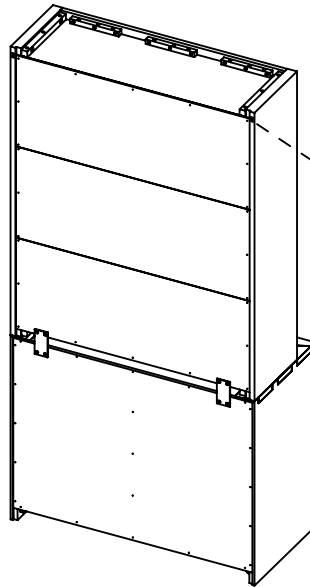
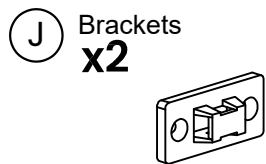
*Repeat for all 4 screws.



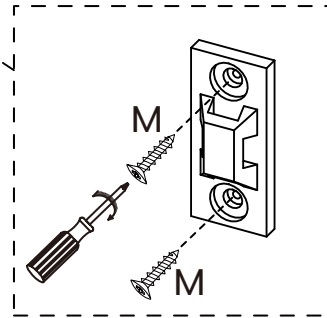
Please seek a professional advice if unsure of wall constructions. Properly affixing furniture to your wall will depend on the wall material: concrete, drywall, masonry, or wood will require the appropriate hardware. Anchor provided is suitable for concrete wall only, please source the right anchor according to the wall type. Please consult your local hardware store to ensure you are using the correct hardware for your wall type.

Step 14

Next using the short screws attach the 2nd bracket to the back of the piece of furniture's top.

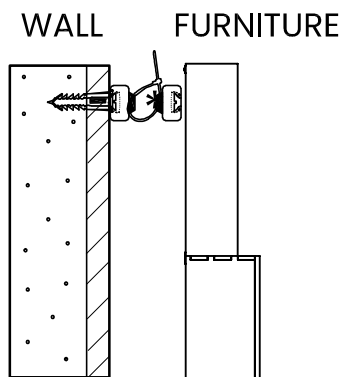
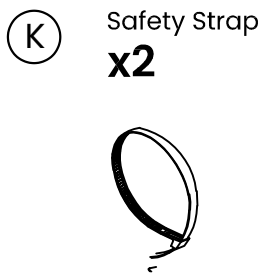


*Repeat for all 4 screws.

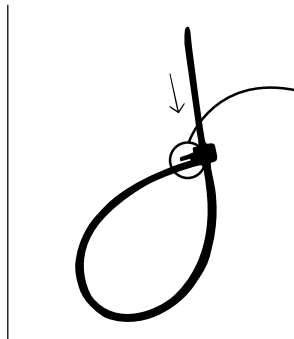


Step 15

Lace the nylon strap down through the brackets. Slide the thin end of the strap through the receiving end of the nylon strap. Pull to tighten the piece of furniture snug against wall.



Press down to unlock;
release to lock.



- This anti-tip kit is not a substitute for proper adult supervision.
- This anti-tip kit may provide protection against tipping furniture.
- Do not allow children to climb on furniture.
- By installing anti-tip kit, you acknowledge that you are fully aware of the safety requirements and accept to adhere to it.
- Illustrations in this guide are for reference only and may be slightly different from the actual object.

Finished!

Congratulations, we're almost there!
Please perform the following checks:

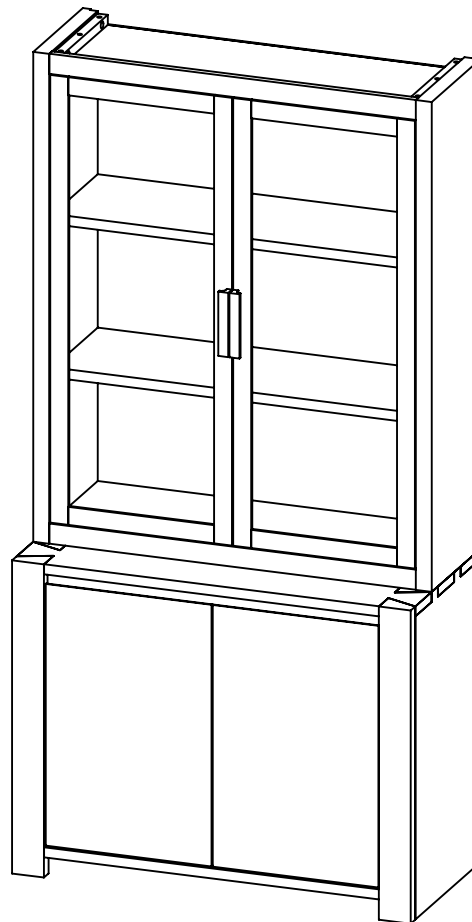
1. To ensure bolts are tightened.
2. To ensure base and hutch are connected.
3. To ensure the anti-tip kit are installed.

Always lift your Castlery product when moving it to your preferred location. Levelers (if any) may slant if you drag your product.

Finally, dust the product with a clean cloth (if needed).

You're all set! Enjoy your new living space, thanks to the addition of your Castlery product.

Note: Your actual product may have minor size differences due to manual measurements.



Care

Instructions

Your furniture, if treated with respect and love, will last you a long time. Each piece requires light maintenance to maximize its longevity.

Storage Furniture Care

- Dust with a soft, dry cloth and clean with a slightly damp cloth.
- Avoid abrasive cleaners & placing rough or sharp objects on the surface.
- Keep furniture away from direct heat or sunlight.
- Wipe spills immediately.
- Use coasters or placemats where possible, to prevent discoloration of the surface.
- Lift when moving, do not drag.
- Periodically check that all connections are tightly-secured

Follow the care instructions and look after your furniture. In return, your furniture will look after you. For more information on our care instructions, visit our product website at www.castlery.com.

We hope to see you soon!