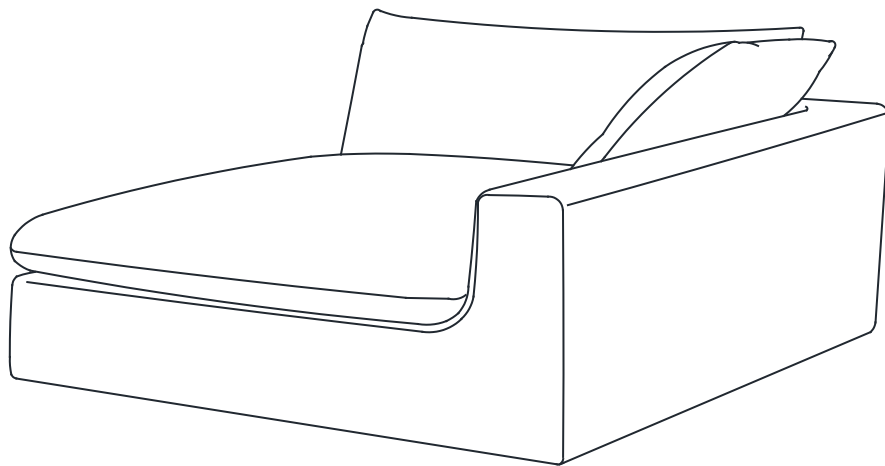


# DAWSON LEFT/RIGHT WIDE CHAISE



# Hello there.

We're so glad that our Castlery product has found a home with you. As proud makers of modern, quality furniture, we're confident that you will love and enjoy your purchase.

Setting it up is easy. Read on for a step-by-step guide to have your item assembled and ready for use.

Once you're done, consider sharing a photo on social media or leaving us a review. We'd love to see how you've styled it in your space.

**Thank you for being part of the Castlery community!**

---

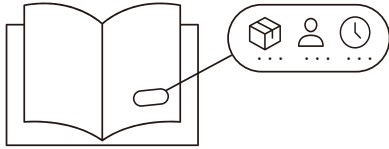
## Contact us.

For any enquiries or issues regarding your purchase, you can contact us via [www.castlery.com/contact-us](https://www.castlery.com/contact-us).

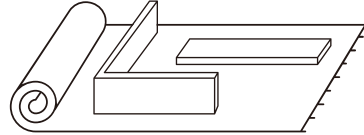


[www.castlery.com](https://www.castlery.com)

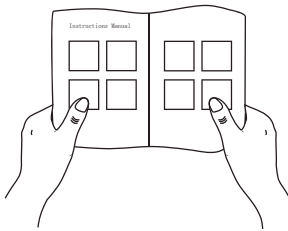
# Before you start...



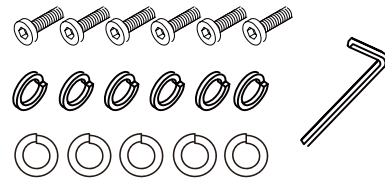
Check that you have received all cartons and familiarize yourself with the assembly requirements. This includes setting aside the allocated time required and having someone to assist you, if needed.



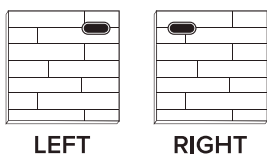
Ensure enough space for assembly. We recommend protecting your floor with a mat or cardboard to avoid scratches during the assembly process.



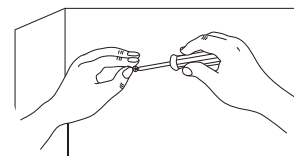
Read instructions carefully, and check that no parts are missing.



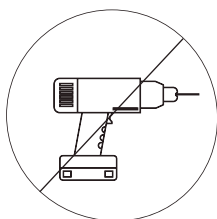
Lay out all hardware on a soft surface so you can easily identify them.



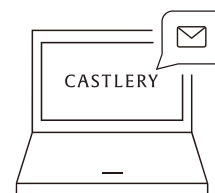
Carefully identify all components to differentiate which pieces are left and right.



Carefully install your new product following the instructions stated. Don't skip ahead!

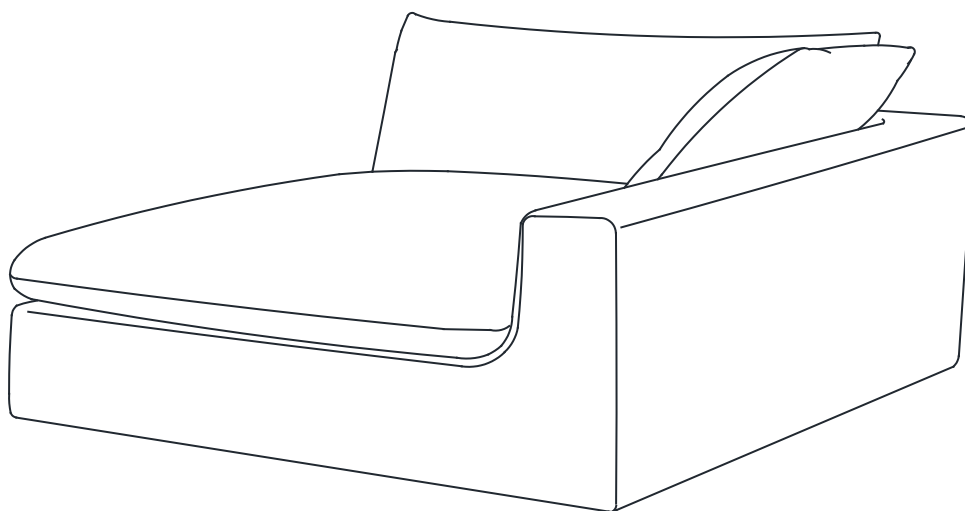


**DO NOT** over-tighten screws or use a drill. Only professional assemblers should use a drill.



If you need further assistance, please contact us via [www.castlery.com/contact-us](http://www.castlery.com/contact-us).

# Overview



Batch code label is located underneath the seat.



x1



x2



**IMPORTANT: 2 persons needed for assembly.**

This will help to minimize potential damage to the product or injury to persons during assembly.



There are inner box(es) that include components required to complete this assembly.



Please do not completely tighten all the hardware, until each assembly step is complete.



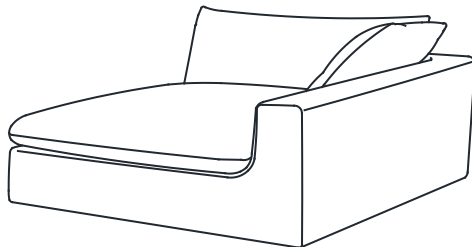
Before discarding the packaging, please use the checklist to ensure that you have all the parts required to assemble your product. Please kindly note if applicable please keep the original package when you want to return the product later.



If parts are missing or damaged, we will gladly ship your replacements parts free of charge. Please contact us via [www.castlery.com/contact-us](http://www.castlery.com/contact-us). Illustrations in this guide are for reference only and may be slightly different from the actual object.

# Parts

BOX 1 OF 1



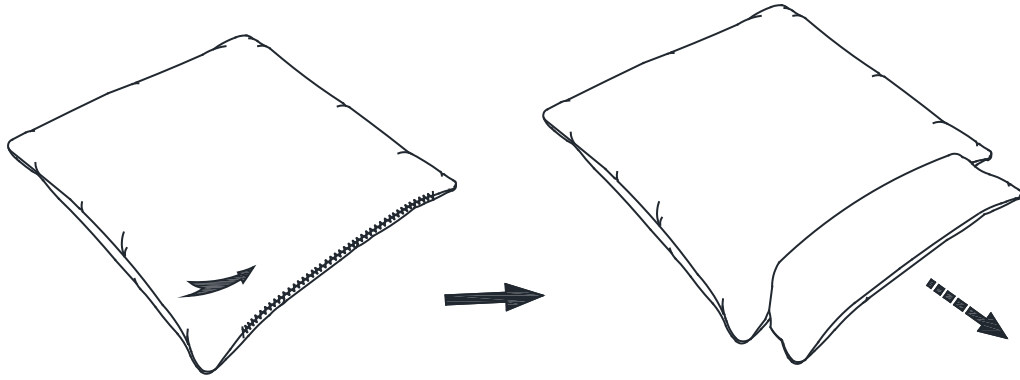
Ⓐ Body  
**x1**



Ⓑ Velcro Protector  
For Washing  
**x6**

# Step 1

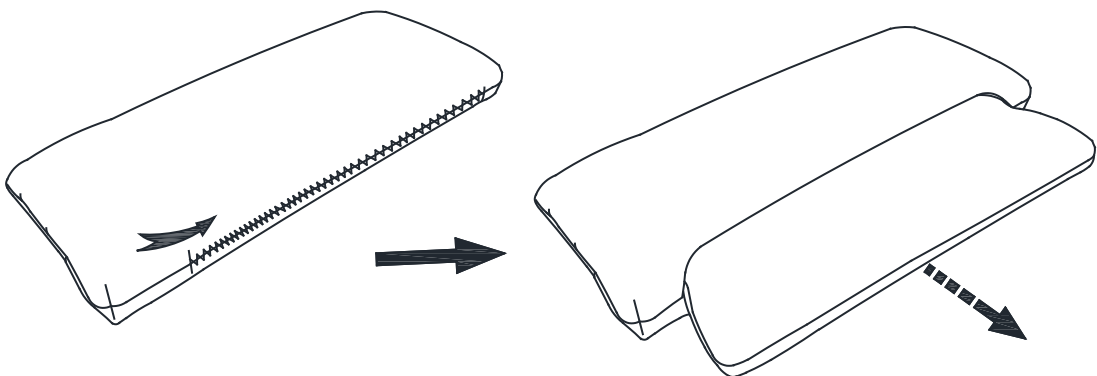
## HOW TO REMOVE THE SOFA COVER



Unzip and take out the inner cushion of pillow.

---

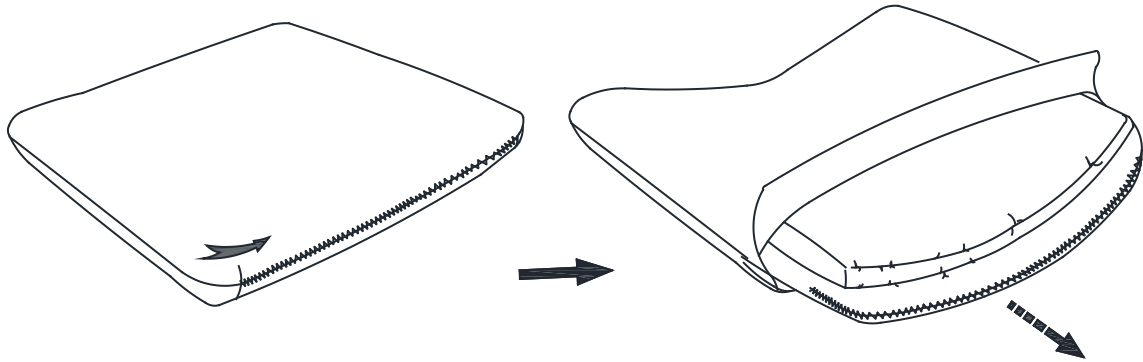
# Step 2



Unzip and take out the inner cushion of back.

## Step 3

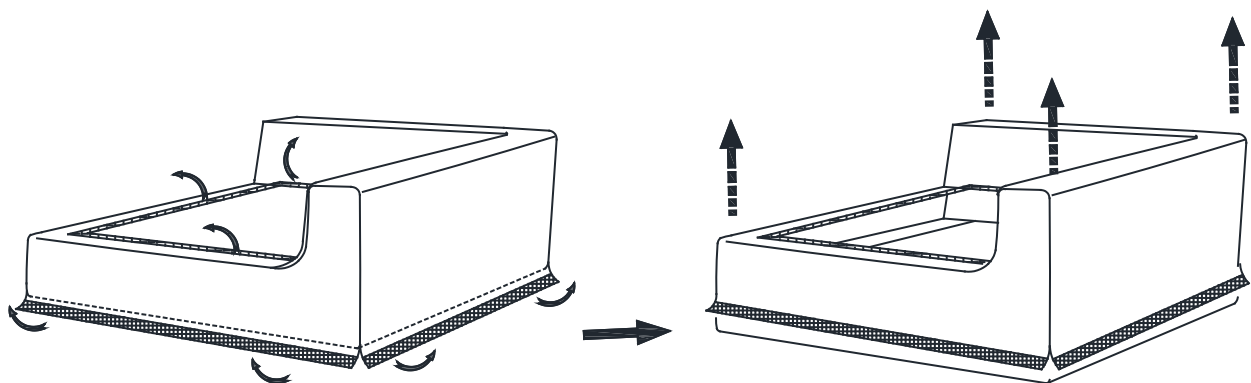
—



Unzip and take out the inner cushion of seat.

## Step 4

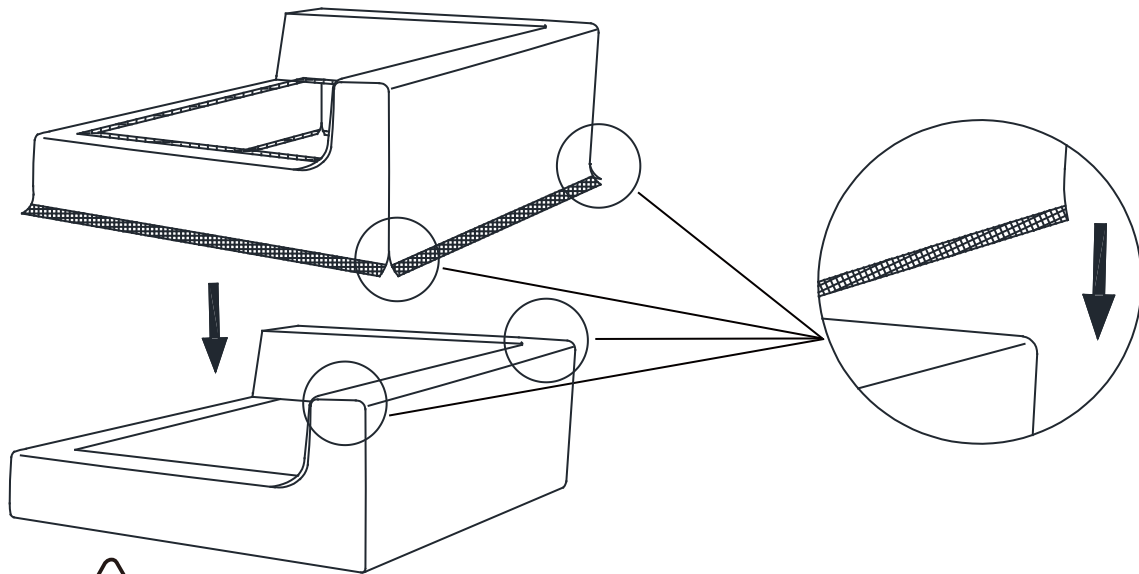
—



Separate the velcro, and then remove the cover.

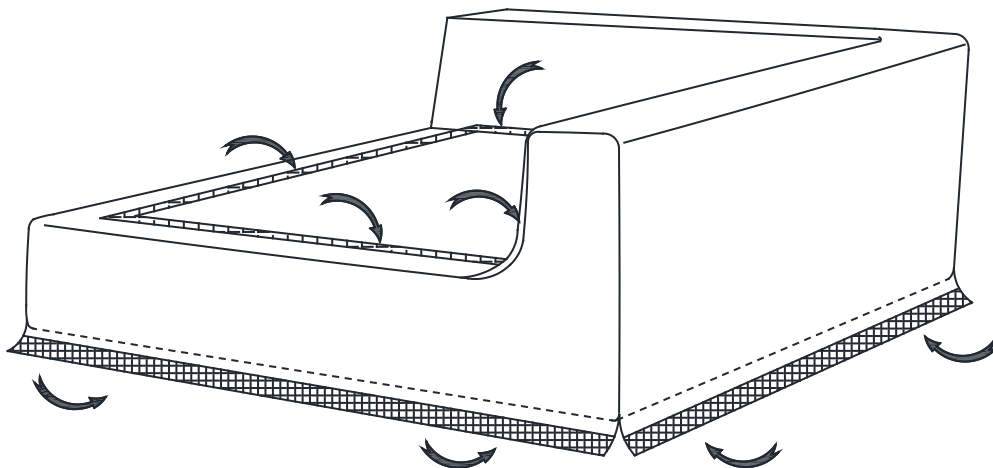
# Step 1

## HOW TO FIX THE SOFA COVER



Fold outward the velcro of the fabric cover, then align the four corners of the fabric with the four corners of the end of the sofa frame and then slowly set down from the top of the sofa.

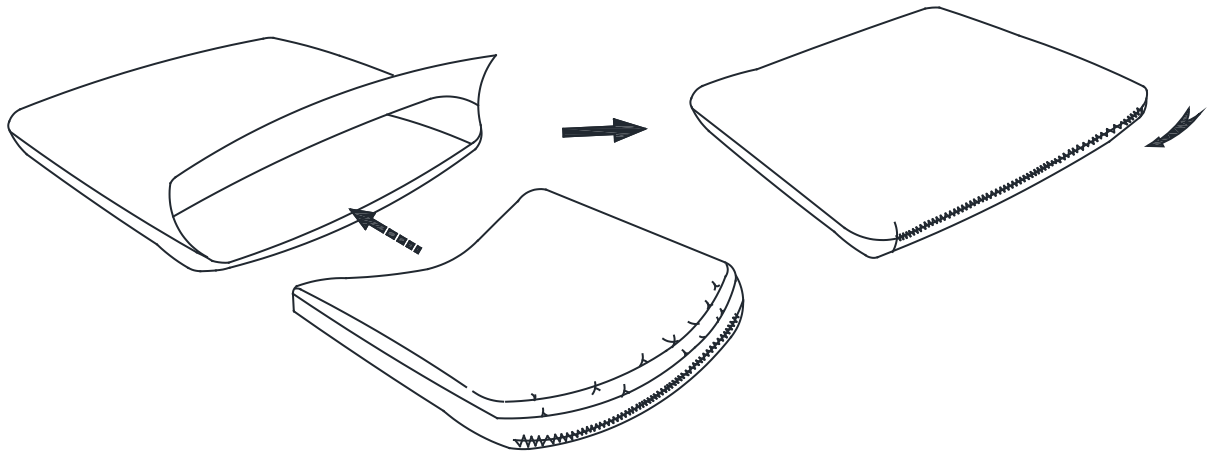
# Step 2



Stick the velcro.

## Step 3

—

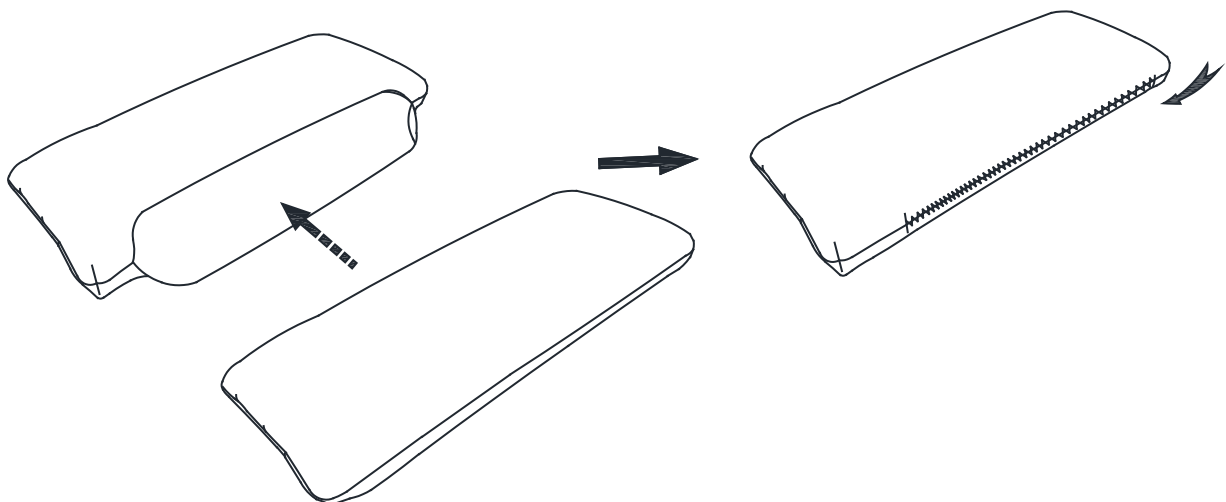


Bend the foam pad first , it is helpful for put it into the cover.

---

## Step 4

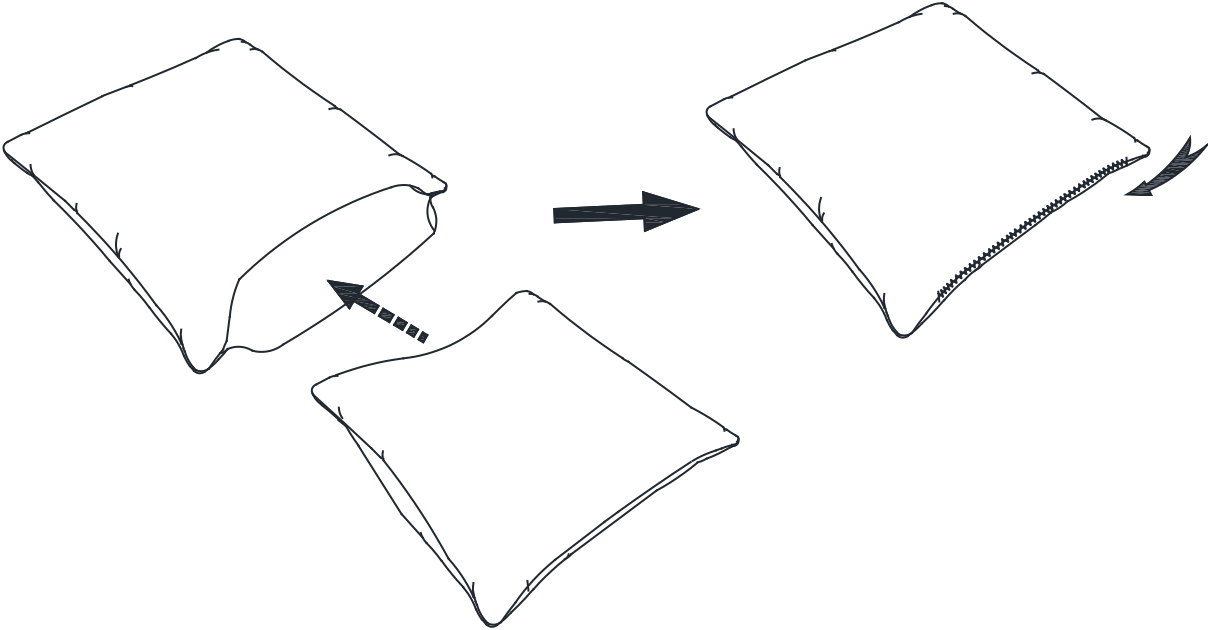
—



Insert the inner cushion into the fabric cover and zip it up.

# Step 5

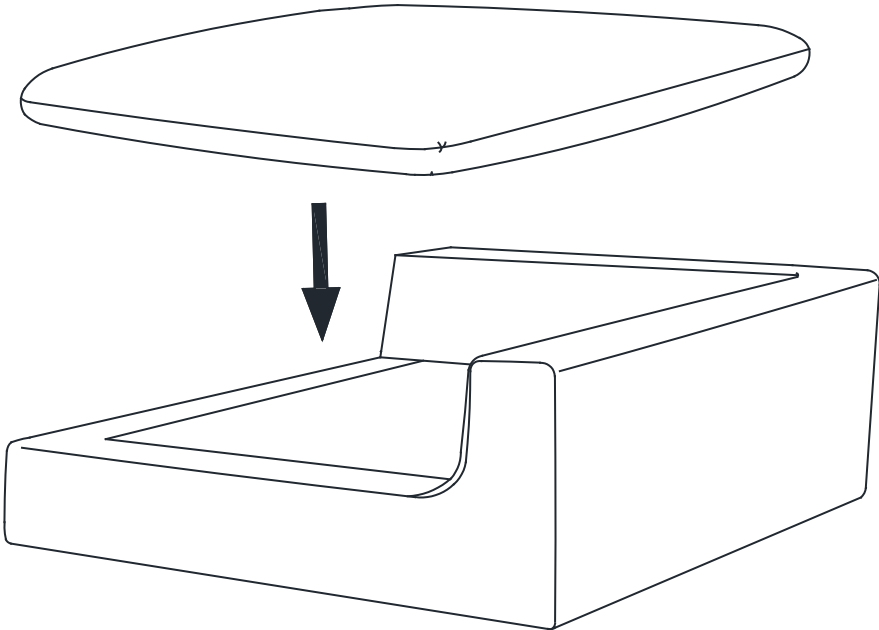
—



Insert the inner cushion into the fabric cover and zip it up.

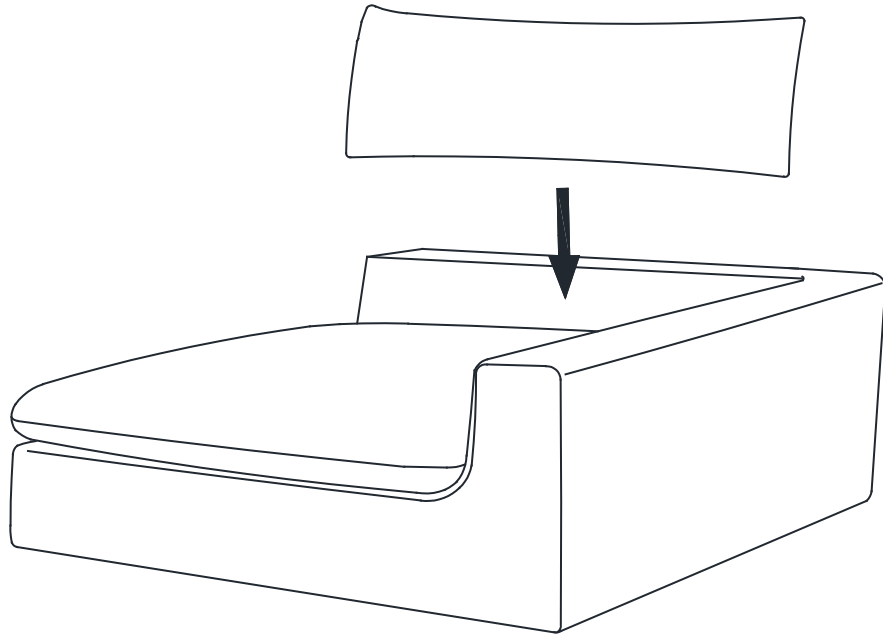
# Step 6

—



## Step 7

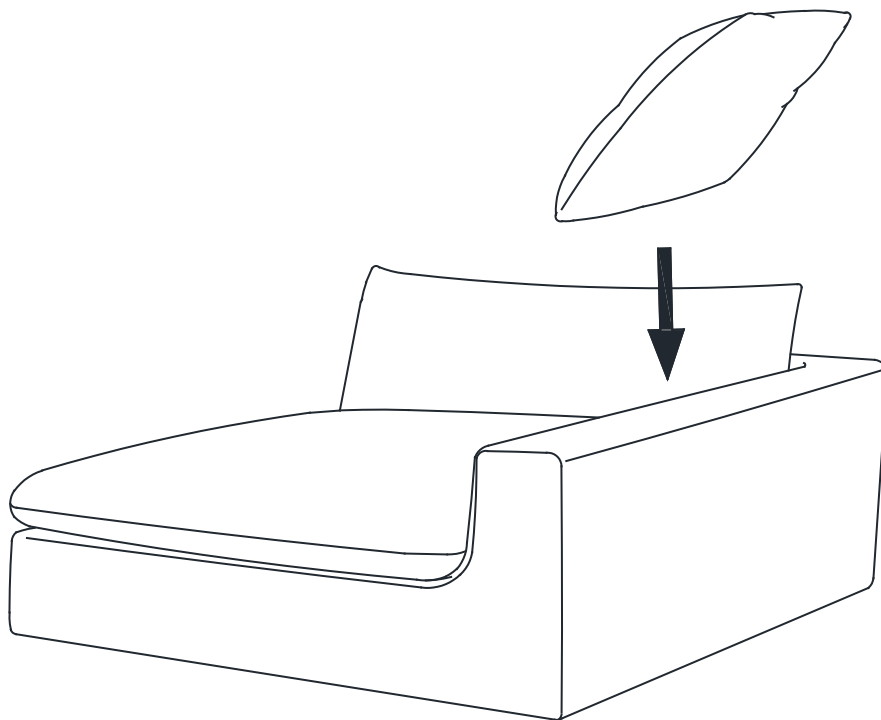
—



---

## Step 8

—



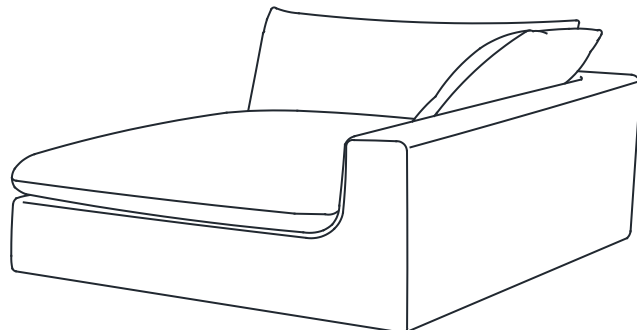
# Finished!

**Congratulations, we're almost there!**  
**Please perform the following checks:**

Always lift your Castlery product when moving it to your preferred location. Levelers (if any) may slant if you drag your product.

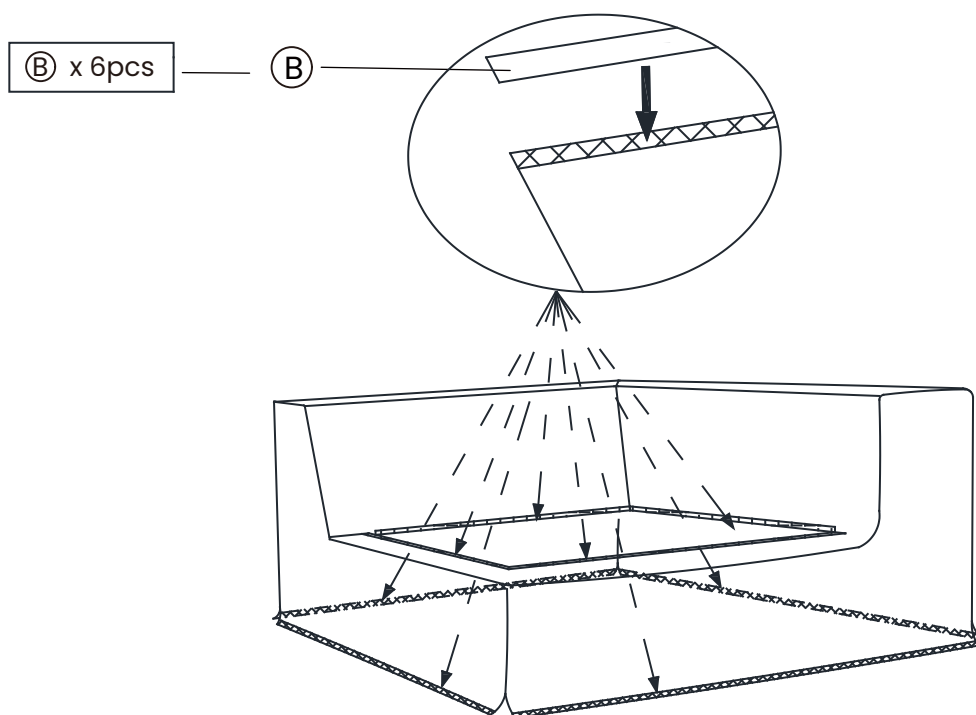
You're all set! Enjoy your new living space, thanks to the addition of your Castlery product.

Note: Your actual product may have minor size differences due to manual measurements.



---

## COVER WASHING INSTRUCTIONS

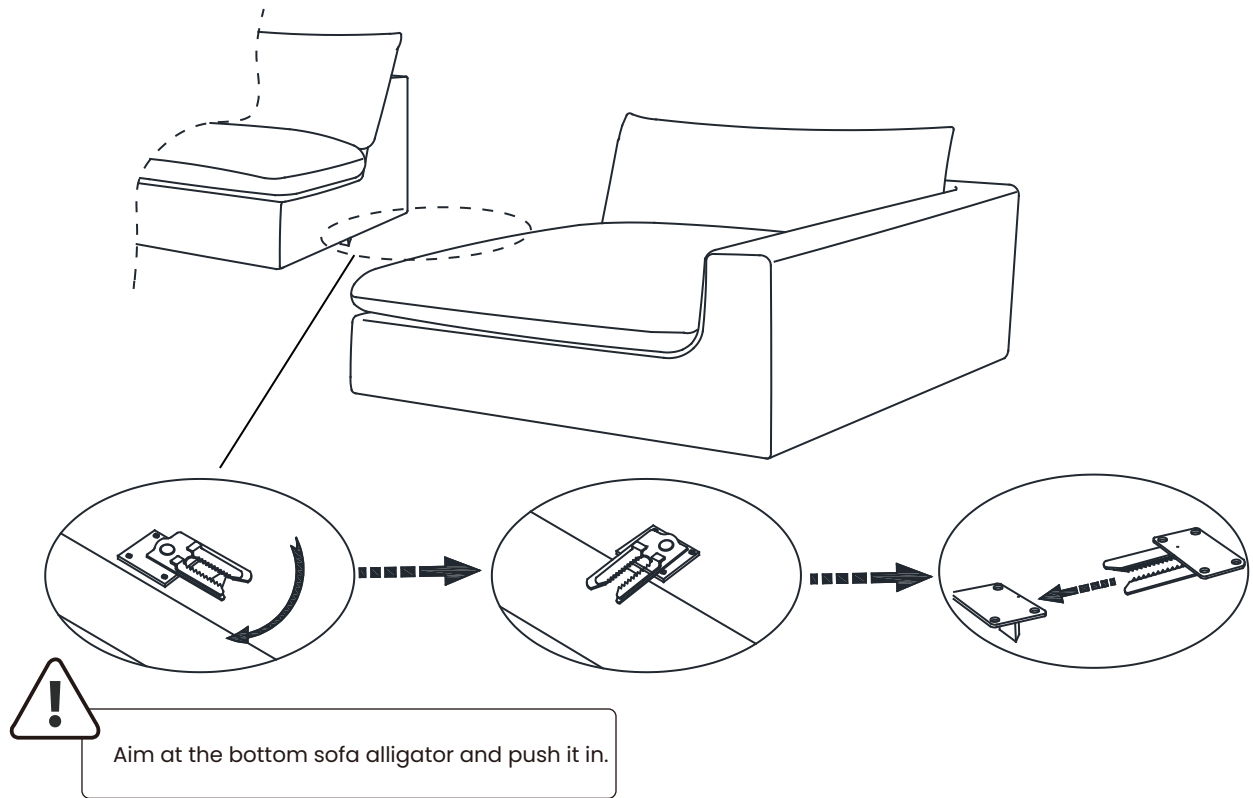


To prevent the velcro damages fabric, recommend to stick the attached velcro protectors when washing cover.

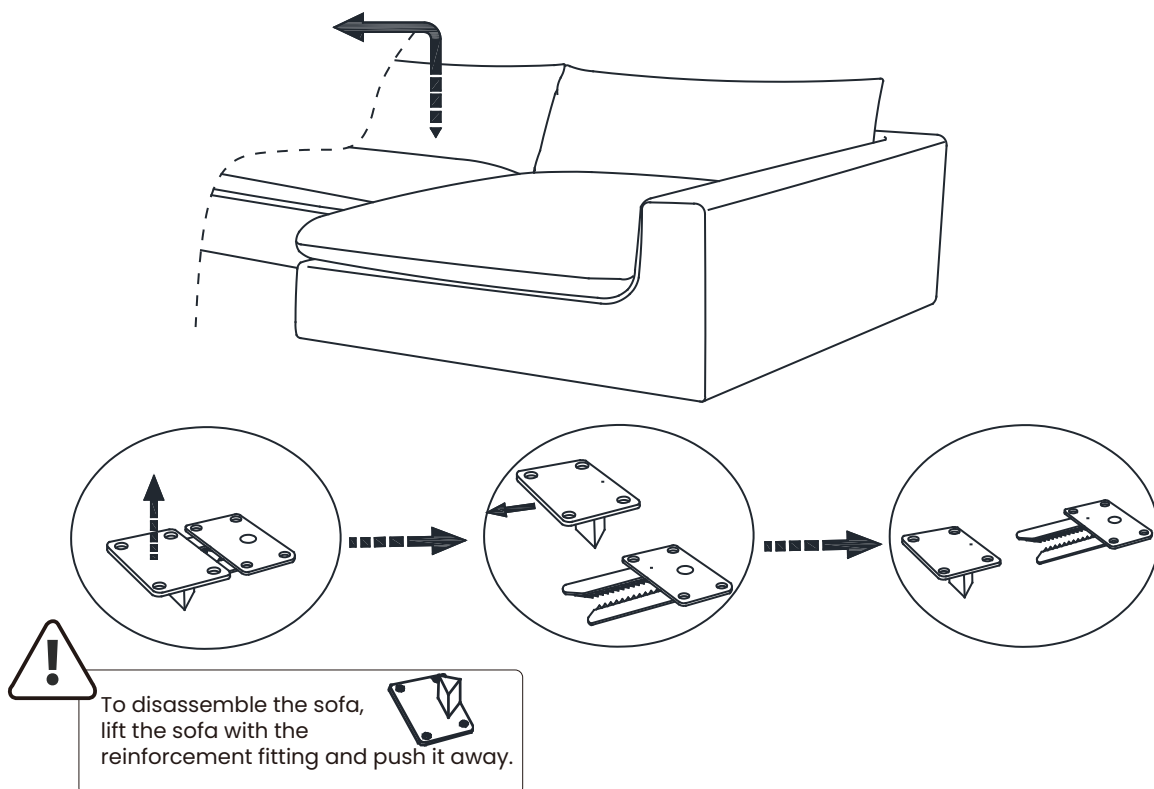


The velcro protectors are reusable.

## How to Combine With Other Items?



## How to Disassemble?



# Care

## Instructions

**Your furniture, if treated with respect and love, will last you a long time. Each piece requires light maintenance to maximize its longevity.**

### **General Care**

- Do not sit on sofa arms and/or back frame.
- Always move the sofa by lifting it at the base, do not drag.
- Avoid prolonged exposure to direct sunlight and keep sofa away from any heating source to prevent fading or discoloration.
- Using a brush attachment, vacuum the sofa regularly to remove any dust particles.
- Blot spills immediately and gently with a clean microfiber cloth. Do not rub.
- Professional cleaning is advised for tough stains.
- Avoid sitting on the sofa when wearing clothing that may cause colour transfer.
- For removable cushions, flip, rotate and fluff the seat and back cushions regularly to prolong their lifespan and keep them plump.
- For non-removable cushions, to straighten folds and creases that form on cushions after prolonged use, smooth the surface with your hands and tuck any excess upholstery into the sides of the cushions.

### **Fabric care**

- Brush the velvet pile regularly to reverse the effects of wear and tear that might temporarily crush the pile.
- To straighten light creases, set your steamer at a low heat setting and steam in the direction of the pile.

**Follow the care instructions and look after your furniture. In return, your furniture will look after you. For more information on our care instructions, visit our product website at [www.castlery.com](http://www.castlery.com).**

**We hope to see you soon!**