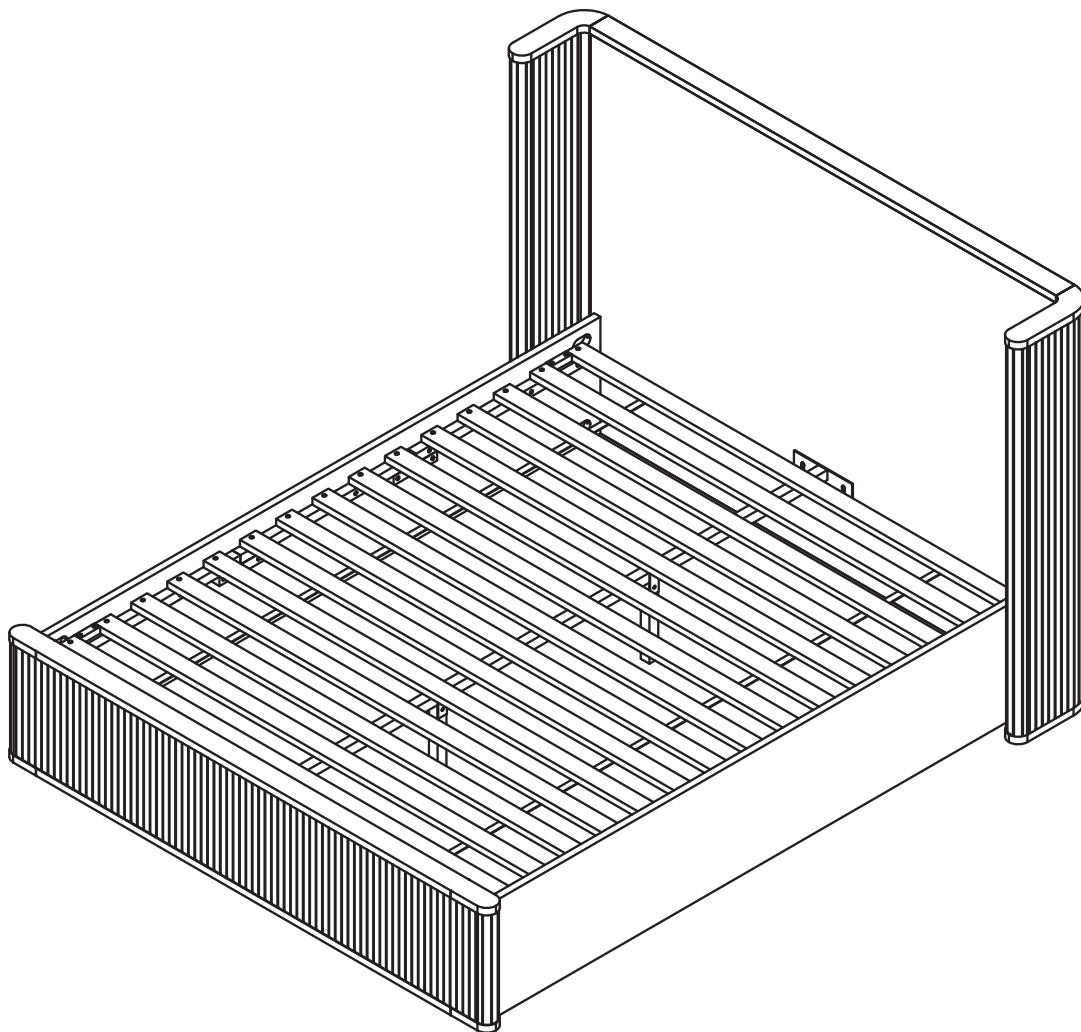


HARPER SIZE BED (SG VER)



Hello there.

We're so glad that our Castlery product has found a home with you. As proud makers of modern, quality furniture, we're confident that you will love and enjoy your purchase.

Setting it up is easy. Read on for a step-by-step guide to have your item assembled and ready for use.

Once you're done, consider sharing a photo on social media or leaving us a review. We'd love to see how you've styled it in your space.

Thank you for being part of the Castlery community!

Contact us.

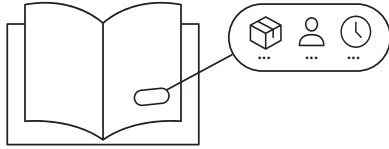
For any enquiries or issues regarding your purchase, you can contact us via www.castlery.com/contact-us.



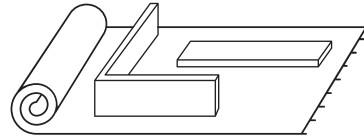
www.castlery.com



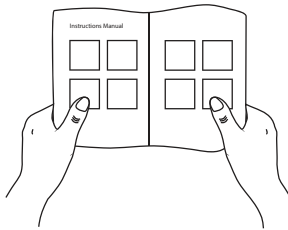
Before you start...



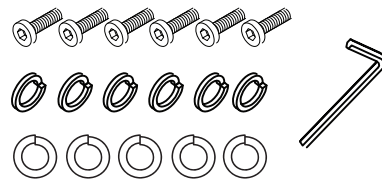
Check that you have received all cartons and familiarize yourself with the assembly requirements. This includes setting aside the allocated time required and having someone to assist you, if needed.



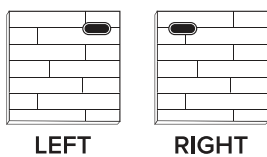
Ensure enough space for assembly. We recommend protecting your floor with a mat or cardboard to avoid scratches during the assembly process.



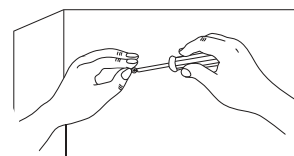
Read instructions carefully, and check that no parts are missing.



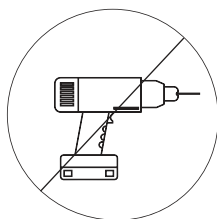
Lay out all hardware on a soft surface so you can easily identify them.



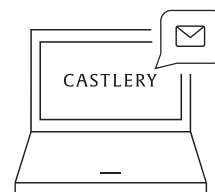
Carefully identify all components to differentiate which pieces are left and right.



Carefully install your new product following the instructions stated. Don't skip ahead!

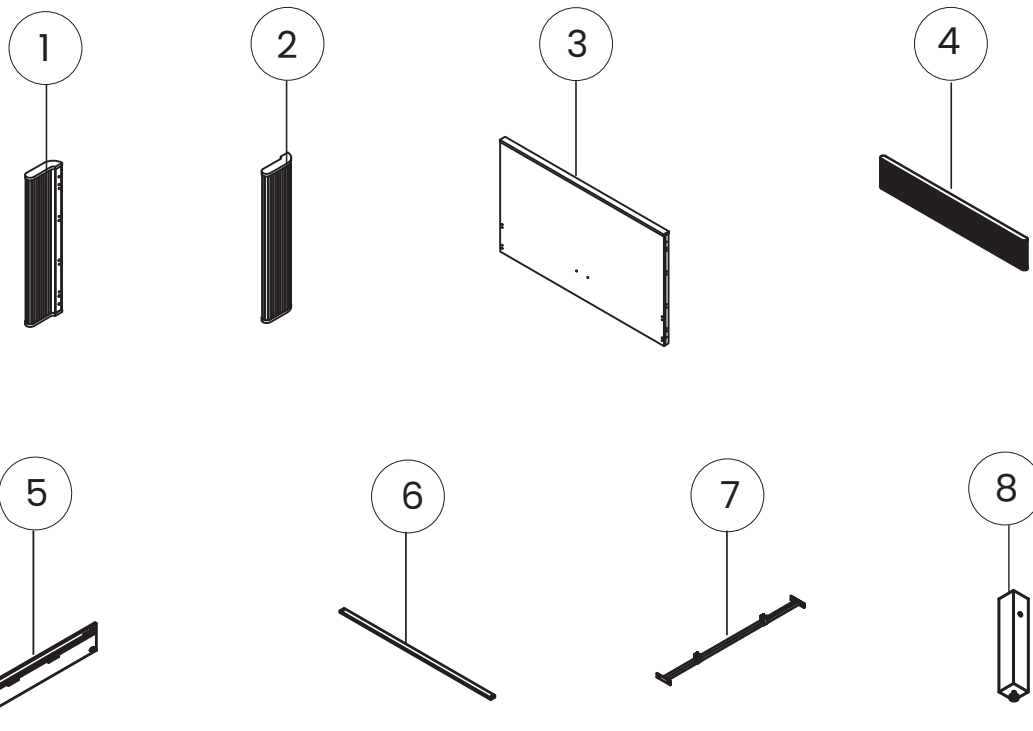
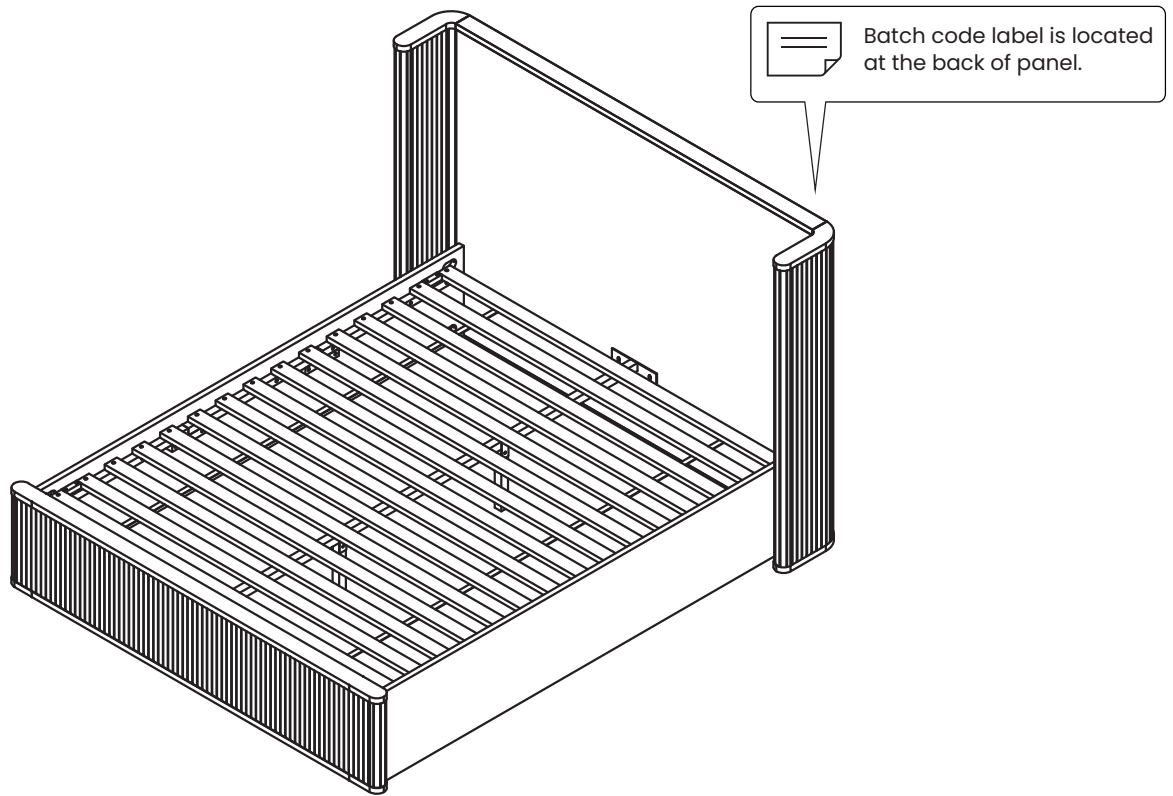


DO NOT over-tighten screws or use a drill. This will damage the product.



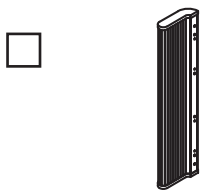
If you need further assistance, please contact us via www.castlery.com/contact-us.

Overview

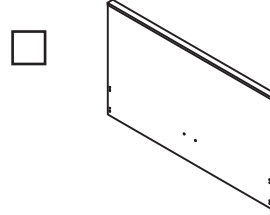


Parts

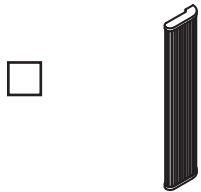
BOX 1 OF 2



① Left ear
x1



③ Headboard
x1



② Right ear
x1

BOX 2 OF 2



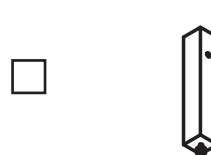
④ Footboard
x1



⑦ Middle rail
x1



⑤ Side rails
x2



⑧ Middle legs
x2







⑥ Slats
x15

Hardware

BOX 2 OF 2

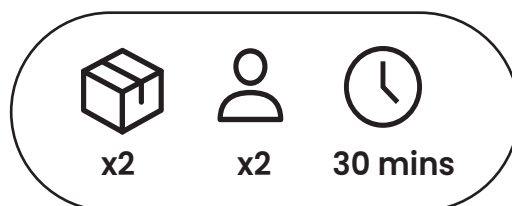
- | | | | | | |
|--------------------------|---|----------------------------------|--------------------------|--|--|
| <input type="checkbox"/> |  | (A) Bolt (6*60)mm x20 | <input type="checkbox"/> |  | (F) Spring washer (8x14) x12 |
| <input type="checkbox"/> |  | (B) Bolt (6*40)mm x2 | <input type="checkbox"/> |  | (G) Wood dowel (9.7*28)mm x16 |
| <input type="checkbox"/> |  | (C) Bolt (6*15)mm x4 | <input type="checkbox"/> |  | (H) Half circle washer (14.5*28*7.3*8) x8 |
| <input type="checkbox"/> |  | (D) Allen key 4mm x1 | <input type="checkbox"/> |  | (I) Screws (M4*35) x30 |
| <input type="checkbox"/> |  | (E) Washers (6x19) x12 | | | |

*You might need a screwdriver (+/-) to complete this assembly.

-  There are inner box(es) that include components required to complete this assembly.
-  Please do not completely tighten all the hardware, until each assembly step is complete.
-  Before discarding the packaging, please use the checklist to ensure that you have all the parts required to assemble your product. Please kindly note you will need the original package if you want to return the product later.
-  If parts are missing or damaged, we will gladly ship your replacements parts free of charge. Please contact us via www.castlery.com/contact-us.

IMPORTANT: 2 persons needed for assembly.
This will help to minimize potential damage to the product or injury to persons during assembly.

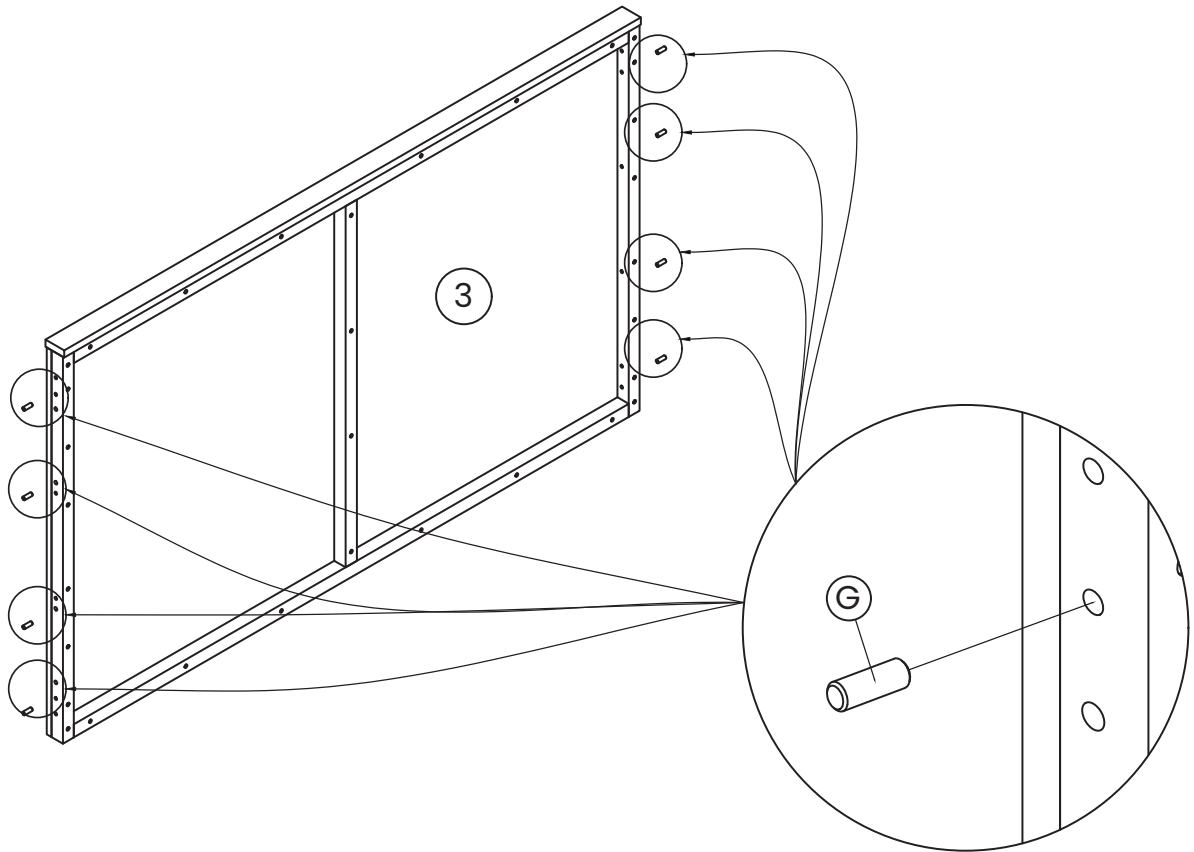
Illustrations in this guide are for reference only and may be slightly different from the actual object.



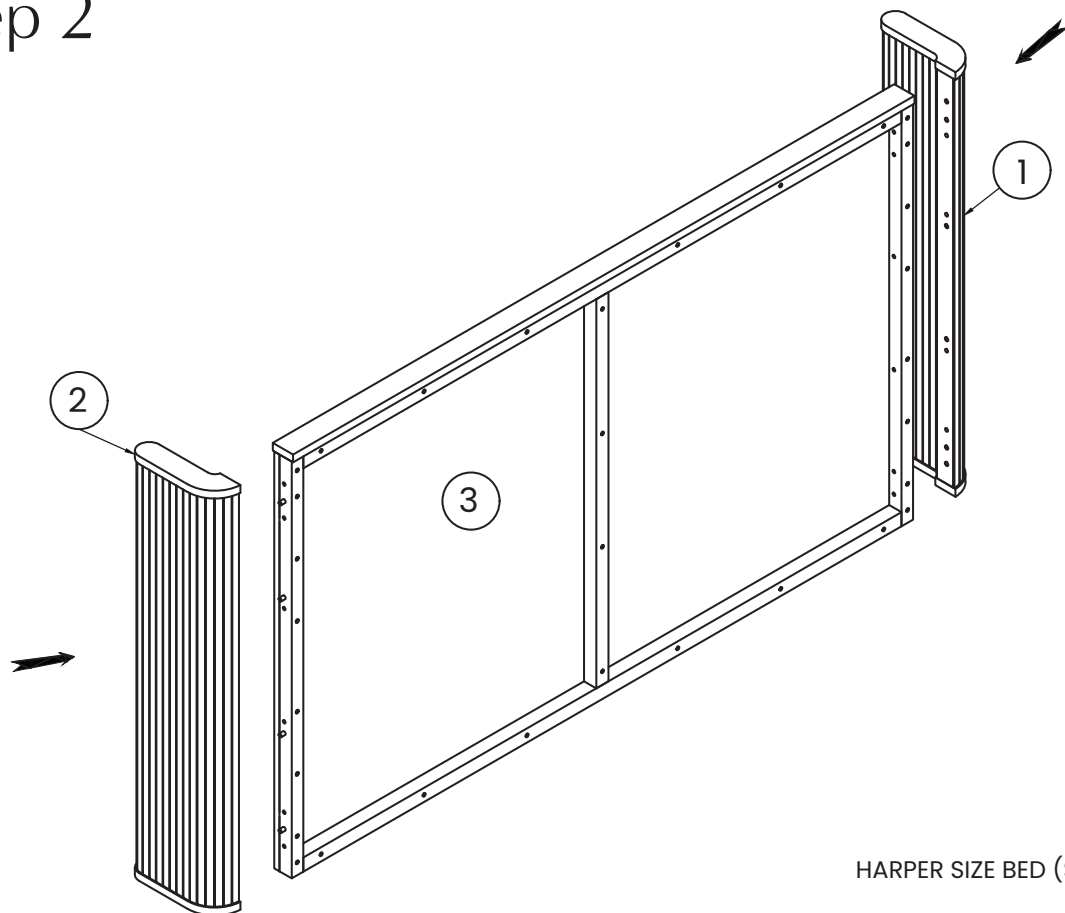
Step 1



This step requires 2 people.



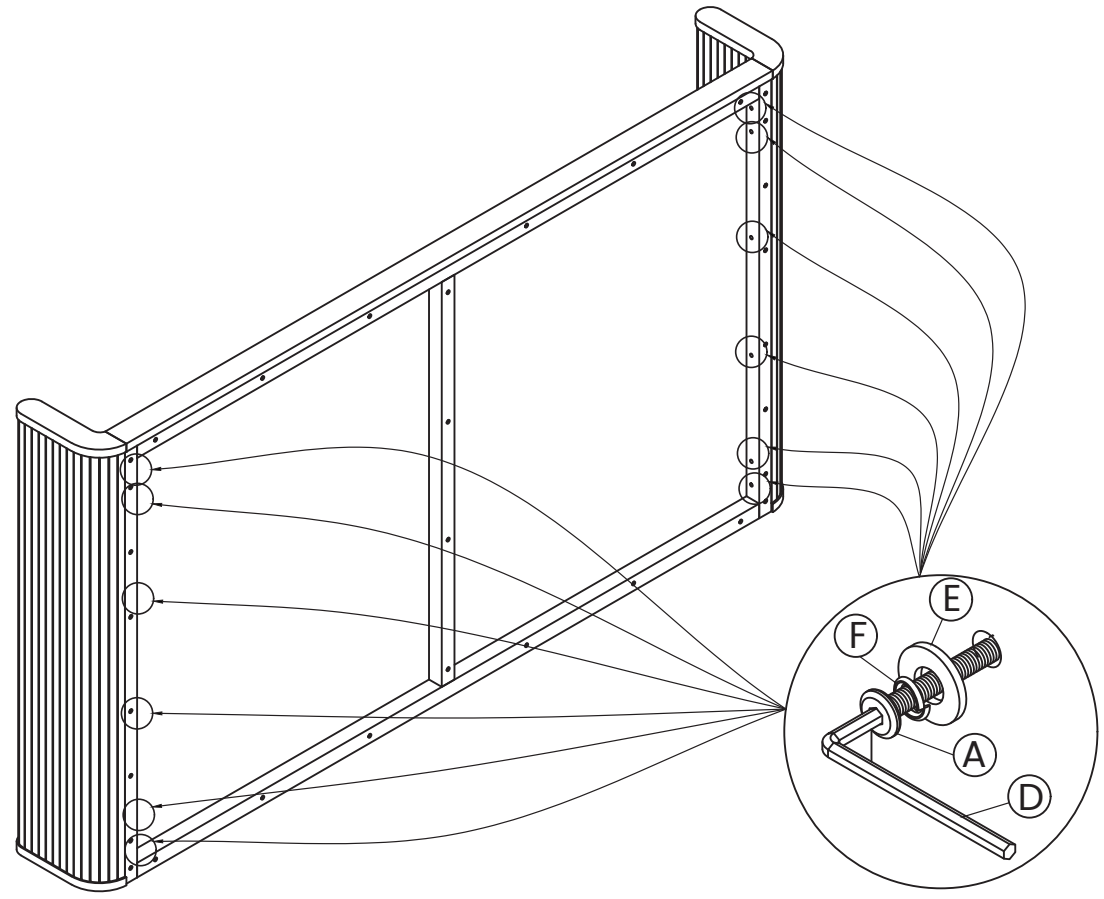
Step 2



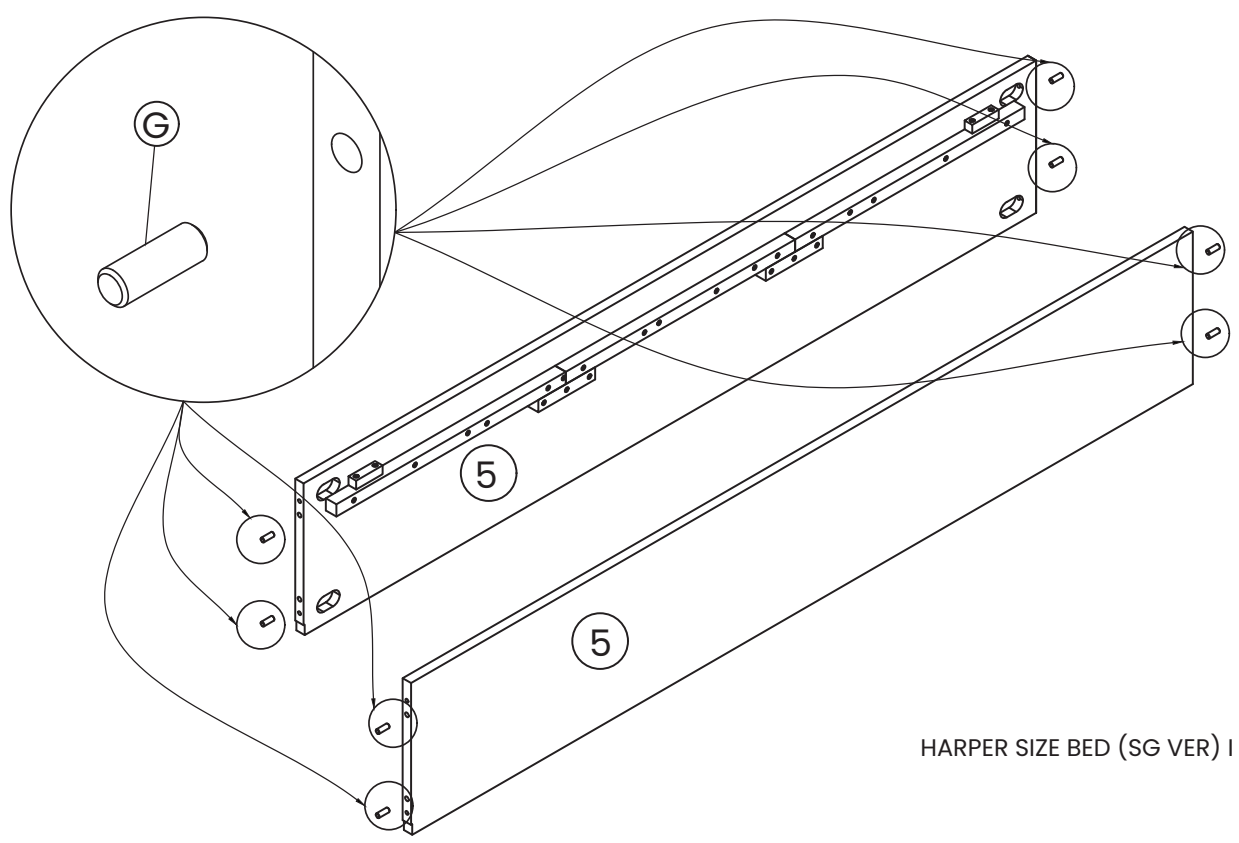
Step 3



This step requires 2 people.



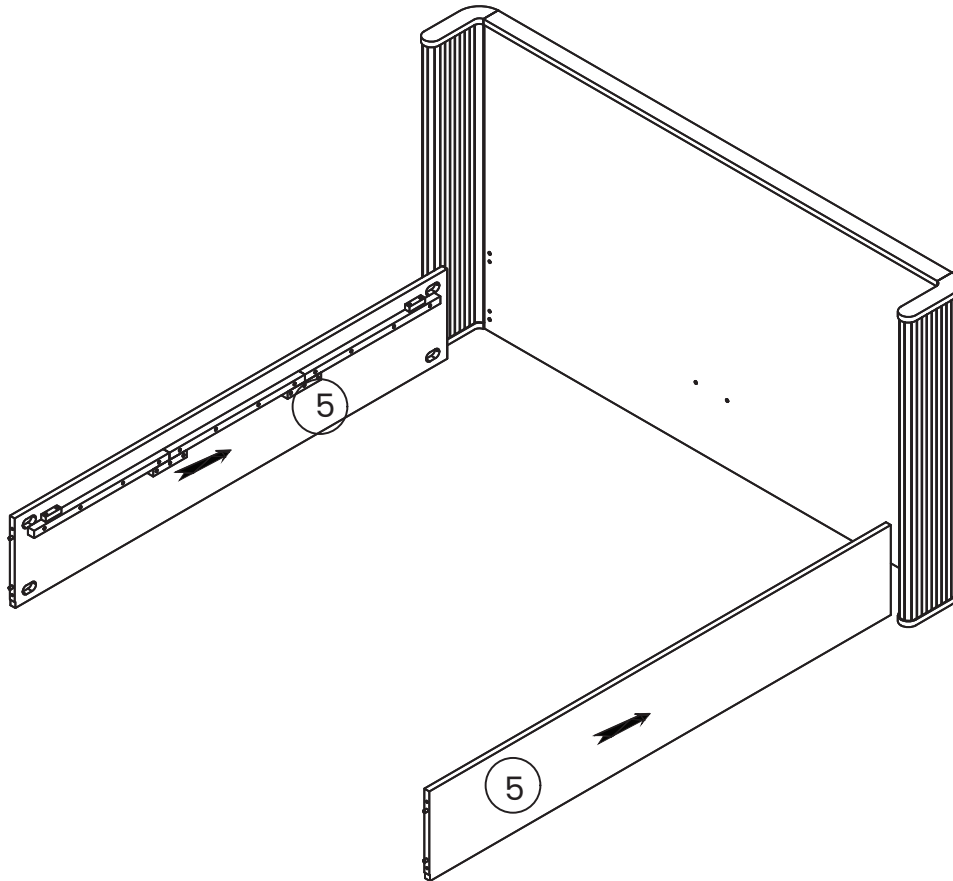
Step 4



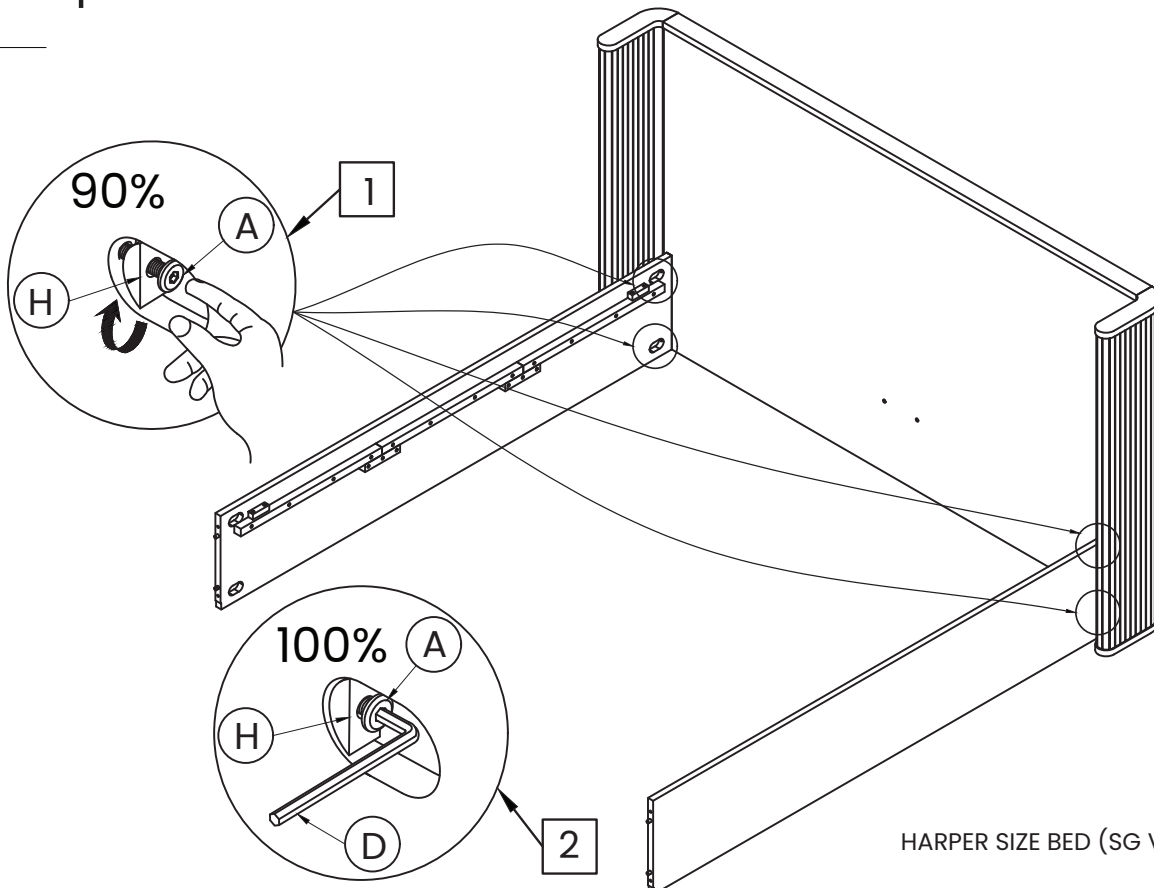
Step 5



This step requires 2 people.



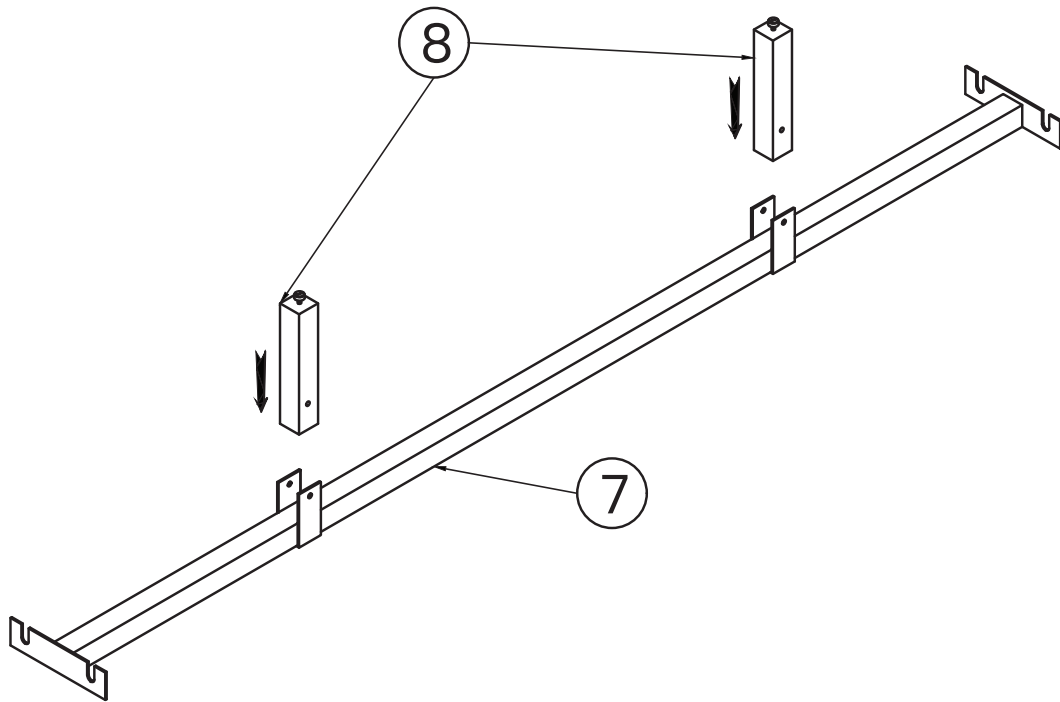
Step 6



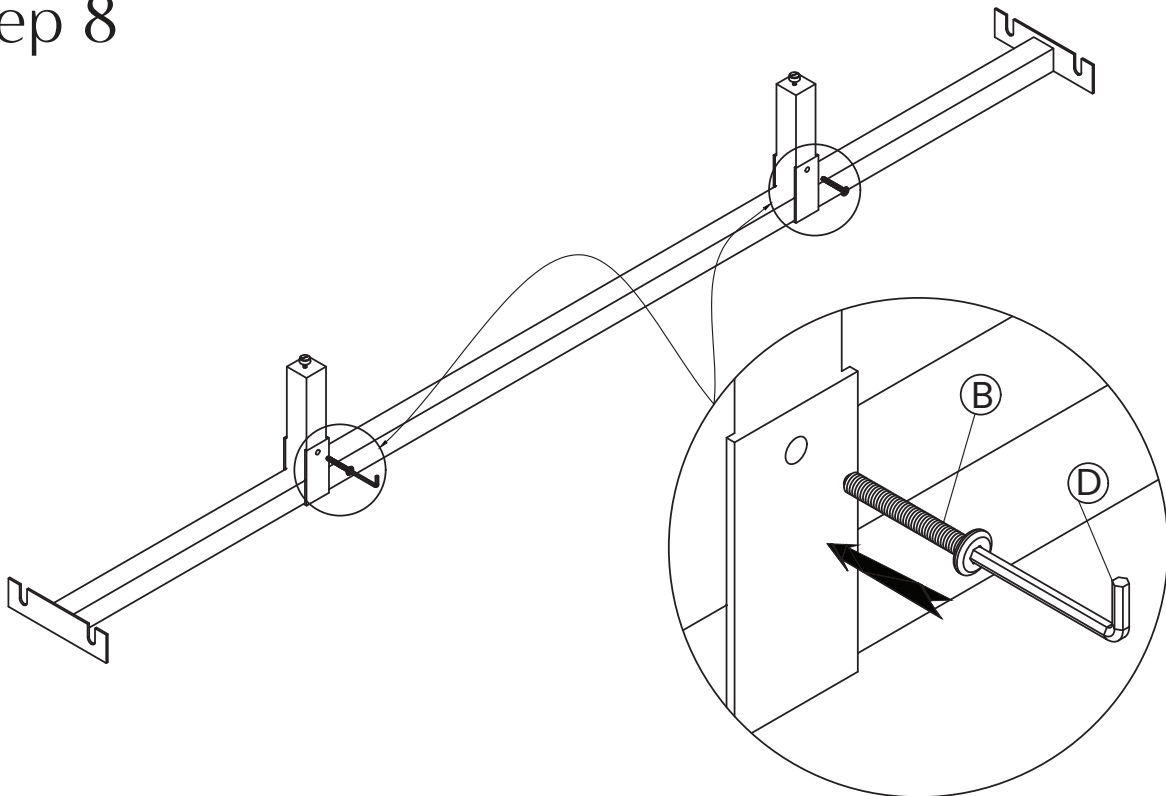
Step 7



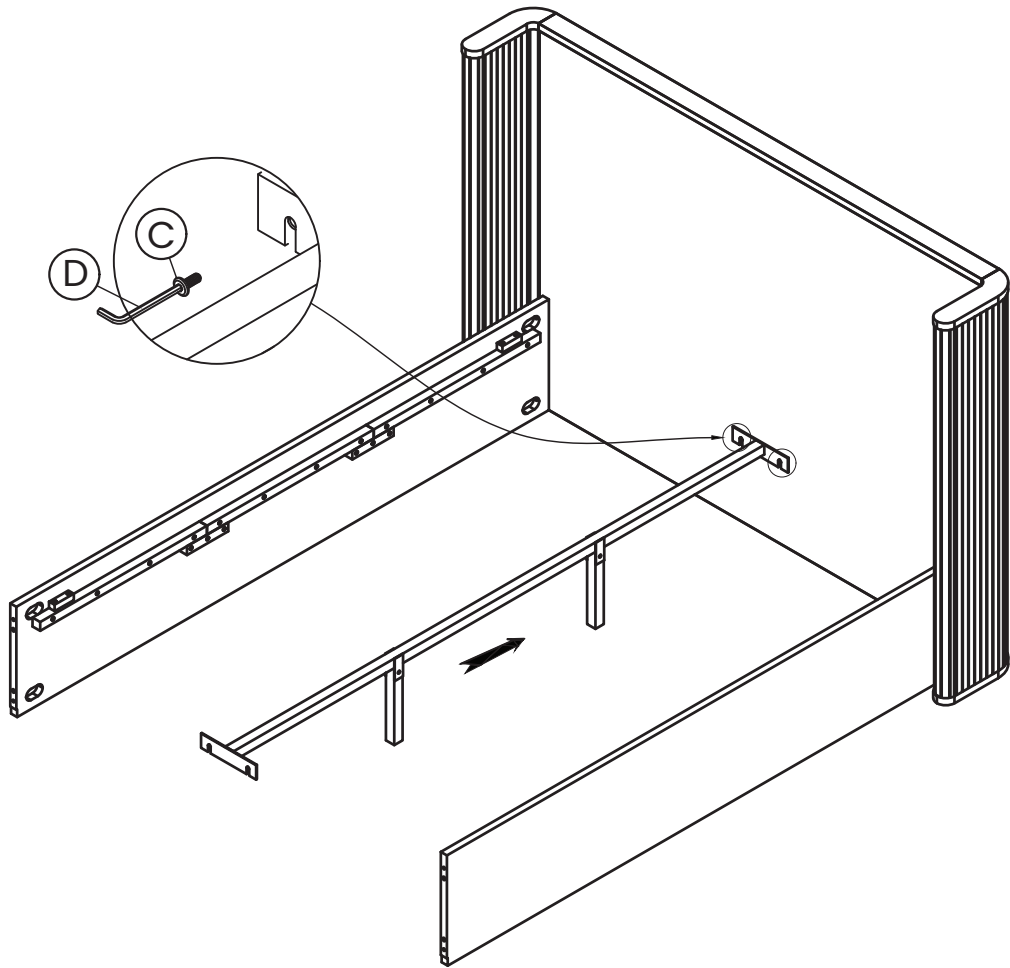
This step requires 2 people.



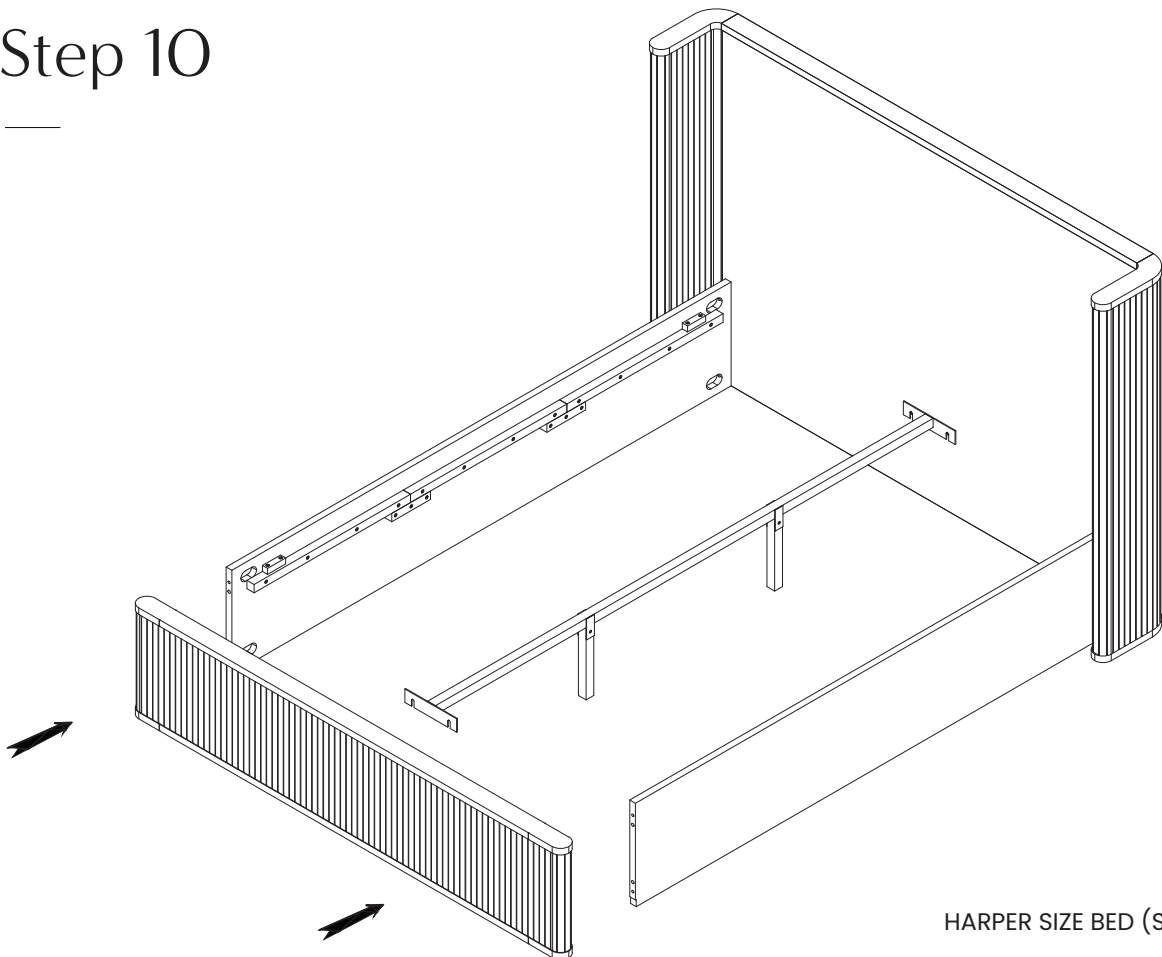
Step 8



Step 9



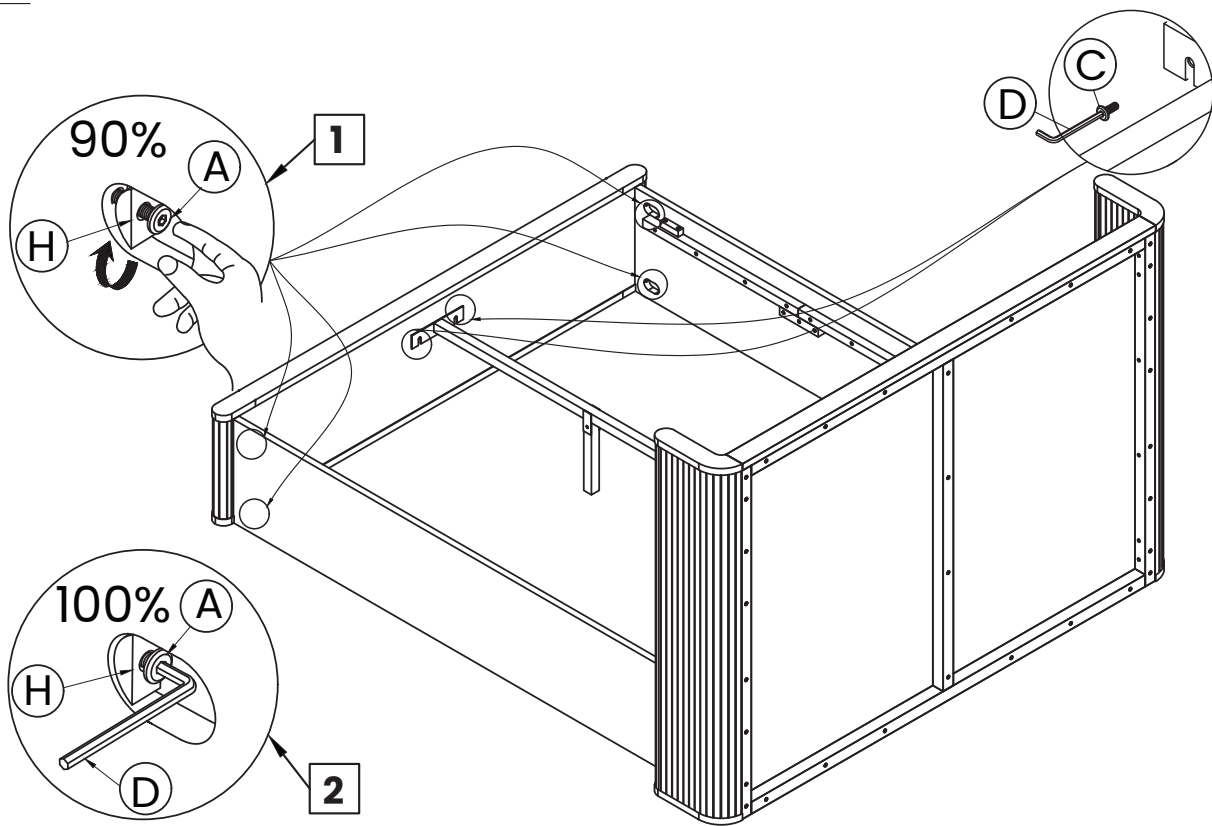
Step 10



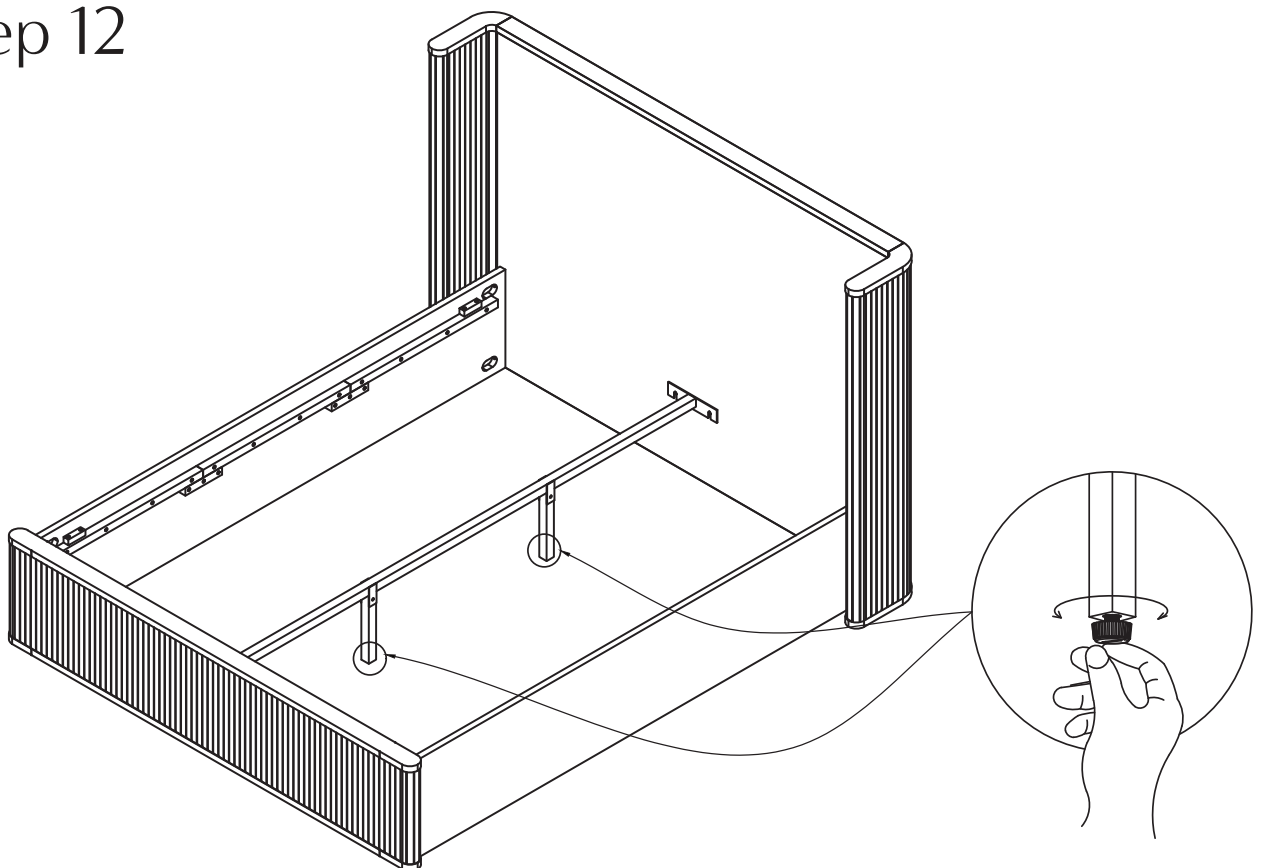
Step 11



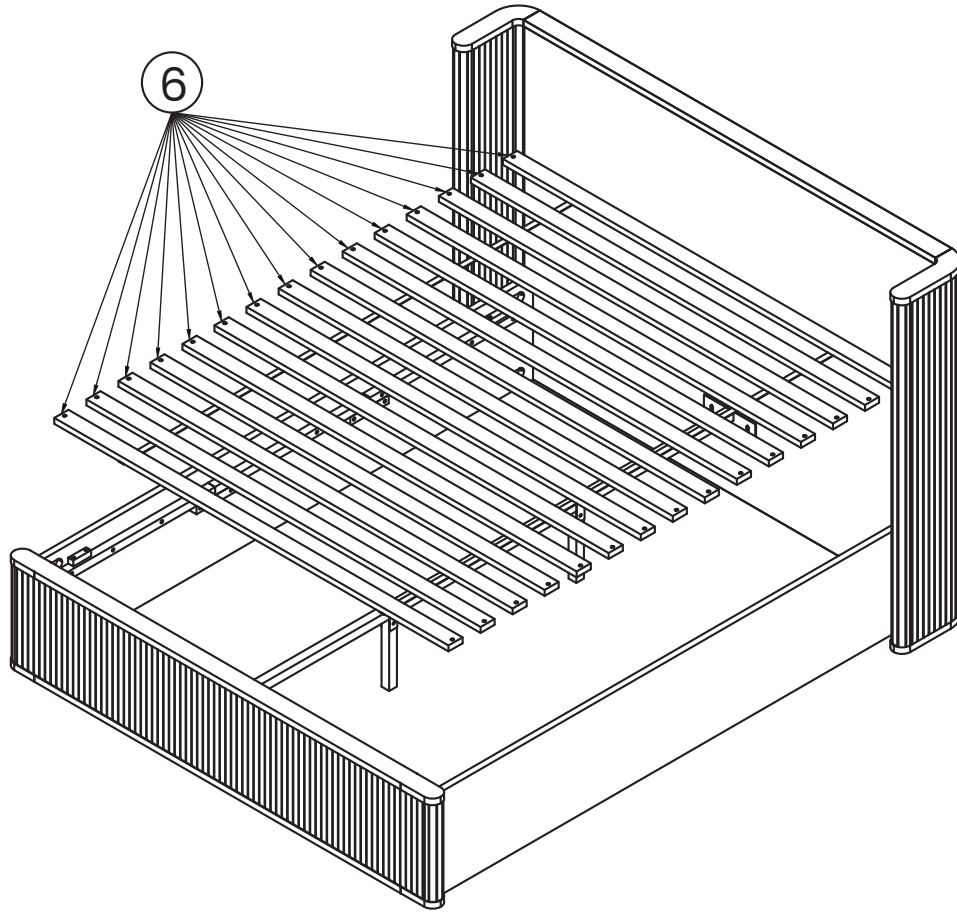
This step requires 2 people.



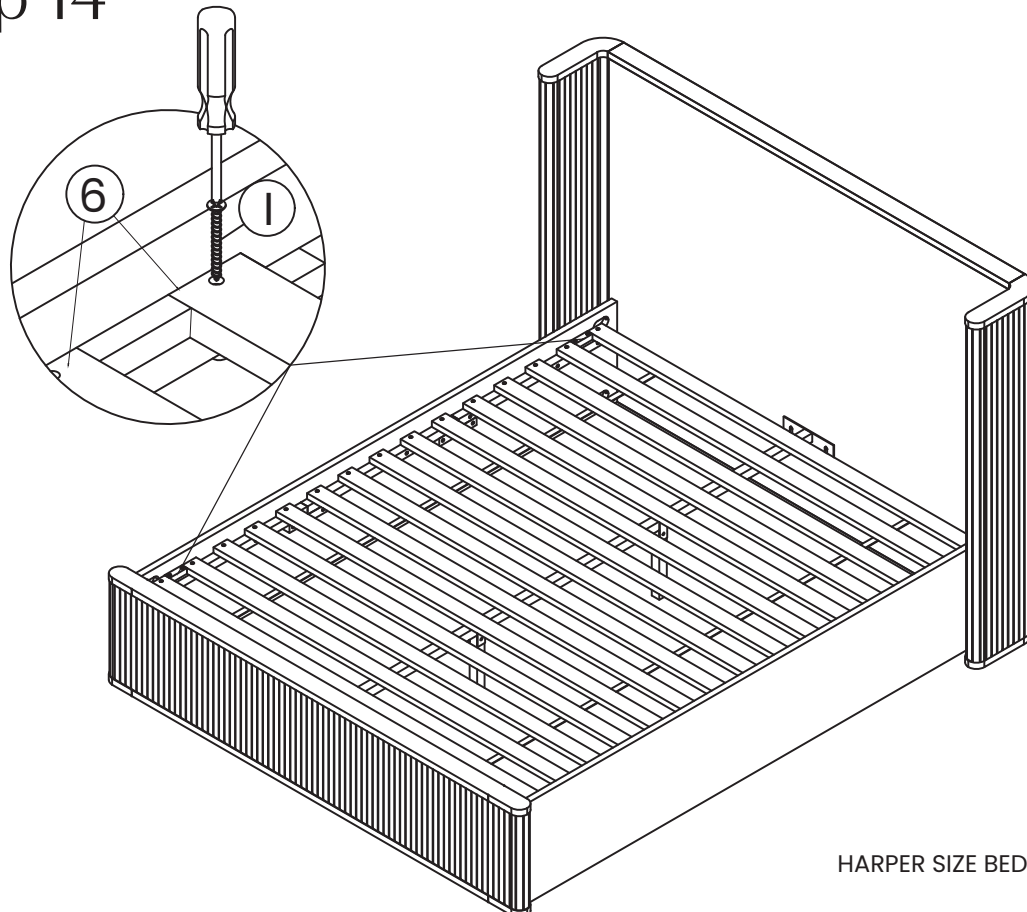
Step 12



Step 13



Step 14



Finished!

Congratulations, we're almost there!
Please perform the following checks:

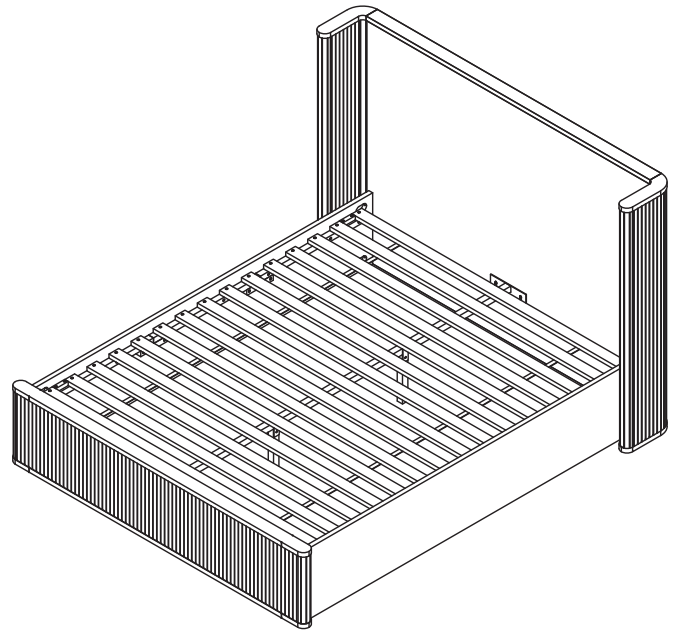
1. Have you tightened all the screws?
2. Are levelers in line with and touching the ground?

Always lift your Castlery product when moving it to your preferred location. Levelers (if any) may slant if you drag your product.

Finally, clean the product with a damp cloth.

You're all set! Enjoy your new living space, thanks to the addition of your Castlery product.

Note: Your actual product may have minor size differences due to manual measurements.



Care Instructions

Your furniture, if treated with respect and love, will last you a long time. Each piece requires light maintenance to maximize its longevity.

Do's

- Position the SIZE BED (SG VER) away from direct sunlight or use curtains or blinds to limit sun exposure.
- Clean the SIZE BED (SG VER) regularly with a dry, soft cloth.
- Use placemats or coasters underneath hot / cold objects to prevent wood discoloration.
- Screws and bolts may loosen over time. Please check it regularly to tighten it.

Follow the care instructions and look after your furniture. In return, your furniture will look after you. For more information on our care instructions, visit our product website at www.castlery.com.

We hope to see you soon!