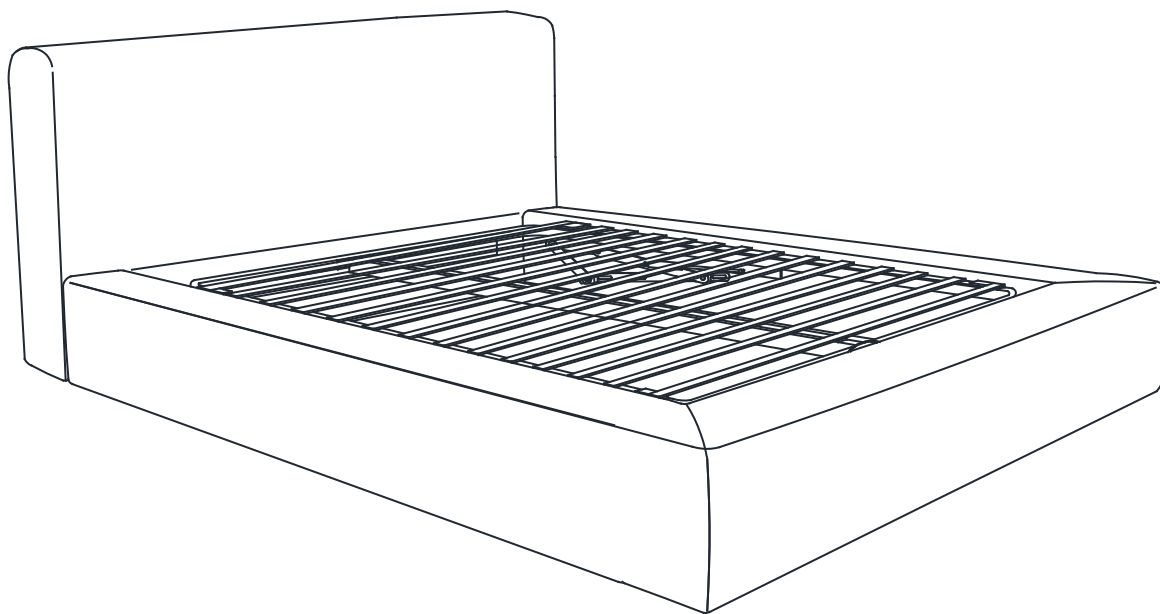


# DAWSON KING SIZE STORAGE BED



# Hello there.

We're so glad that our Castlery product has found a home with you. As proud makers of modern, quality furniture, we're confident that you will love and enjoy your purchase.

Setting it up is easy. Read on for a step-by-step guide to have your item assembled and ready for use.

Once you're done, consider sharing a photo on social media or leaving us a review. We'd love to see how you've styled it in your space.

**Thank you for being part of the Castlery community!**

---

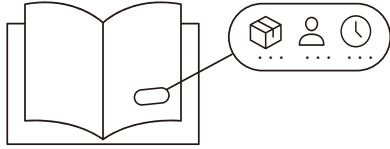
## Contact us.

Should you have any questions or concerns regarding your purchase, you can contact us via [www.castlery.com/contact-us](http://www.castlery.com/contact-us).

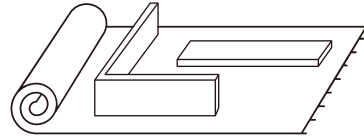


[www.castlery.com](http://www.castlery.com)

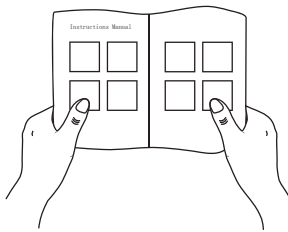
# Before you start...



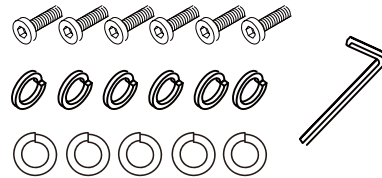
Check that you have received all cartons and familiarize yourself with the assembly requirements. This includes setting aside the allocated time required and having someone to assist you, if needed.



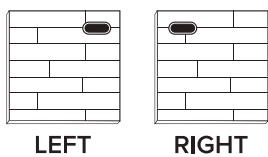
Ensure enough space for assembly. We recommend protecting your floor with a mat or cardboard to avoid scratches during the assembly process.



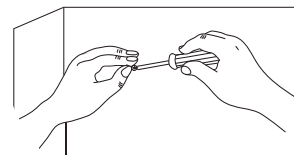
Read instructions carefully, and check that no parts are missing.



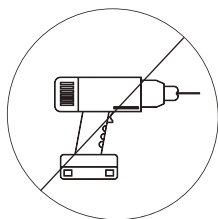
Lay out all hardware on a soft surface so you can easily identify them.



Carefully identify all components to differentiate which pieces are left and right.



Carefully install your new product following the instructions stated. Don't skip ahead!



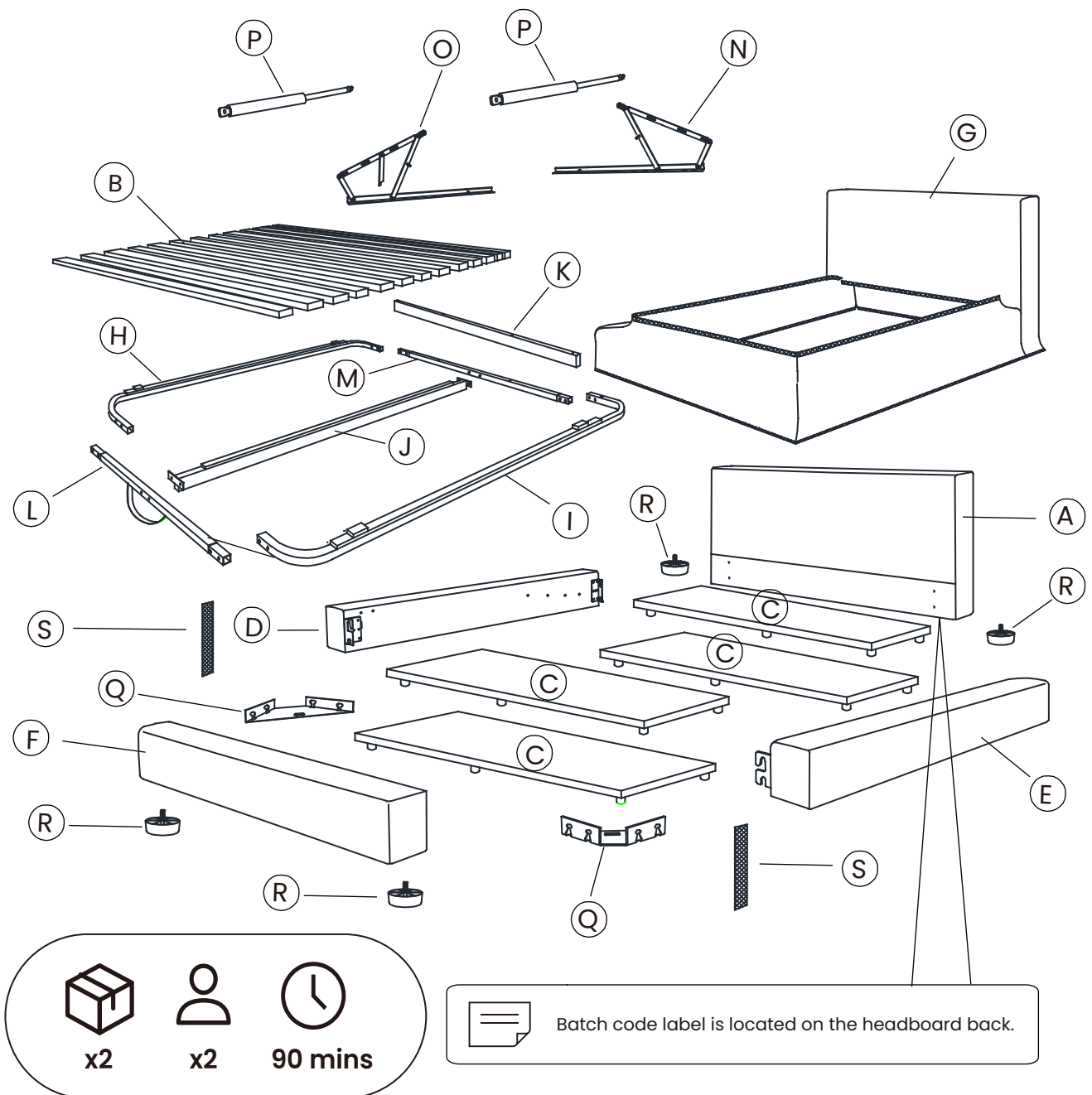
**DO NOT** over-tighten screws or use a drill. Only professional assemblers should use a drill.



If you need further assistance, please contact us via [www.castlery.com/contact-us](http://www.castlery.com/contact-us).

# Overview

The hardware is in a red PE bag within Box 2



x2



x2



90 mins



Batch code label is located on the headboard back.



**IMPORTANT: 2 persons needed for assembly.**

This will help to minimize potential damage to the product or injury to persons during assembly.



There are inner box(es) that include components required to complete this assembly.



Please do not completely tighten all the hardware, until each assembly step is complete.



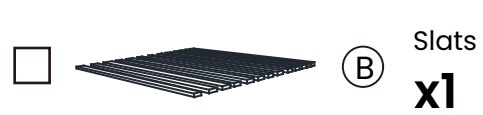
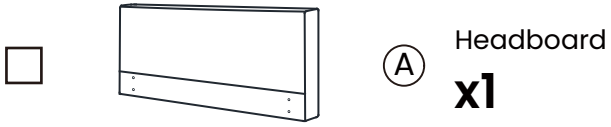
Before discarding the packaging, please use the checklist to ensure that you have all the parts required to assemble your product. Please kindly note if applicable please keep the original package when you want to return the product later.



If parts are missing or damaged, we will gladly ship your replacements parts free of charge. Please contact us via [www.castlery.com/contact-us](http://www.castlery.com/contact-us). Illustrations in this guide are for reference only and may be slightly different from the actual object.

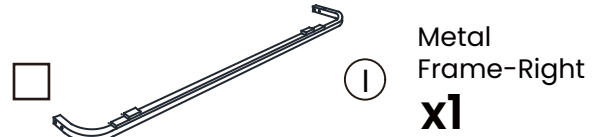
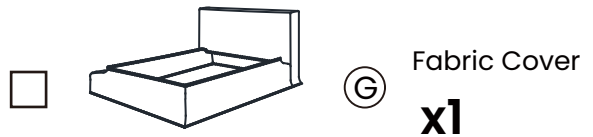
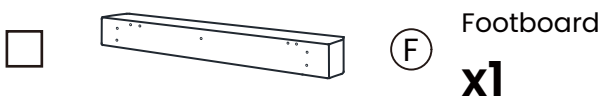
# Parts

## BOX 1 OF 2





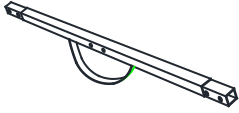
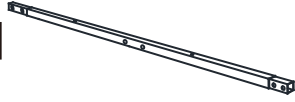







# Parts

## BOX2 OF 2



# Parts

## BOX 2 OF 2

- |                          |   |   |                          |  |  |
|--------------------------|---|---|--------------------------|--|--|
| <input type="checkbox"/> |    | (J) Center Rail<br><b>x1</b>                  | <input type="checkbox"/> |    | (K) Headboard-Reinforcement Rod<br><b>x1</b> |
| <input type="checkbox"/> |    | (L) Footboard Cross Bar<br><b>x1</b>          | <input type="checkbox"/> |    | (M) Headboard Cross Bar<br><b>x1</b>         |
| <input type="checkbox"/> |   | (N) Mechanism-Right<br><b>x1</b>              | <input type="checkbox"/> |   | (O) Mechanism-Left<br><b>x1</b>              |
| <input type="checkbox"/> |  | (P) Gas Spring<br><b>x2</b>                   | <input type="checkbox"/> |  | (Q) Bracket<br><b>x2</b>                     |
| <input type="checkbox"/> |  | (R) Leg<br><b>x4</b>                          | <input type="checkbox"/> |  | (S) Velcro<br><b>x2</b>                      |
| <input type="checkbox"/> |  | (T) Velcro Protector For Washing<br><b>x8</b> |                          |  |  |

# Hardware

## BOX 2 OF 2



Middle Leg Bolts  
M8\*100L  
**x4**



Long Bolts  
M8\*40L  
**x12**



Bolts  
5/16"\*1-1/4"L  
**x22**



Short Bolts  
M8\*20L  
**x6**



Screws  
ø4\*25L  
**x12**



Nuts  
**x20**



Spring Washers  
ø13\*ø8  
**x16**



Flat Washers  
ø19\*ø8  
**x22**



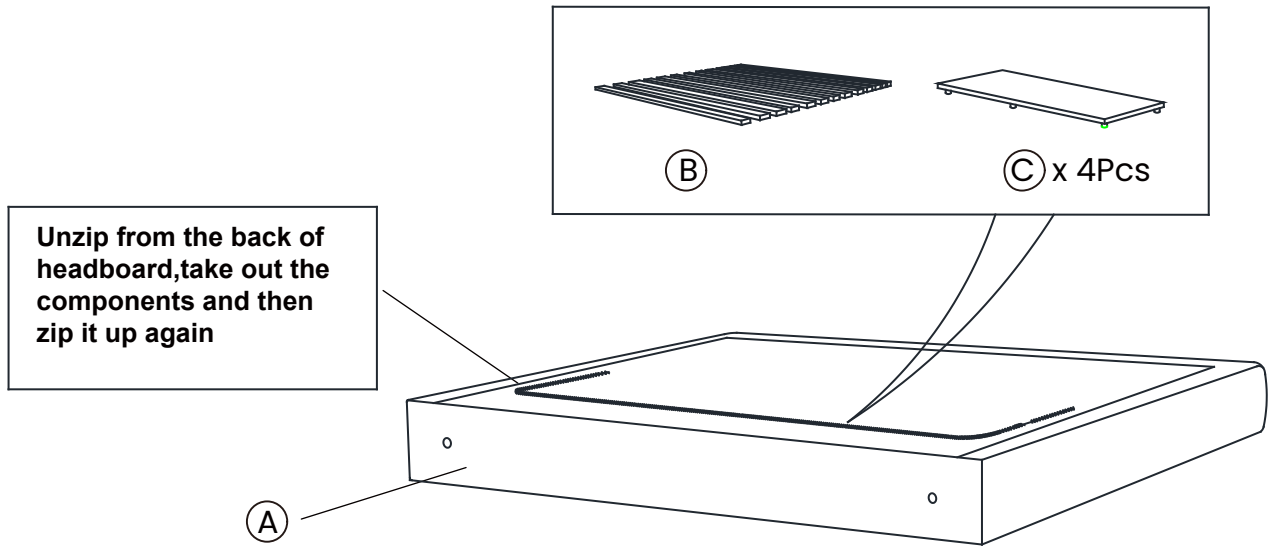
Spanner  
**x1**



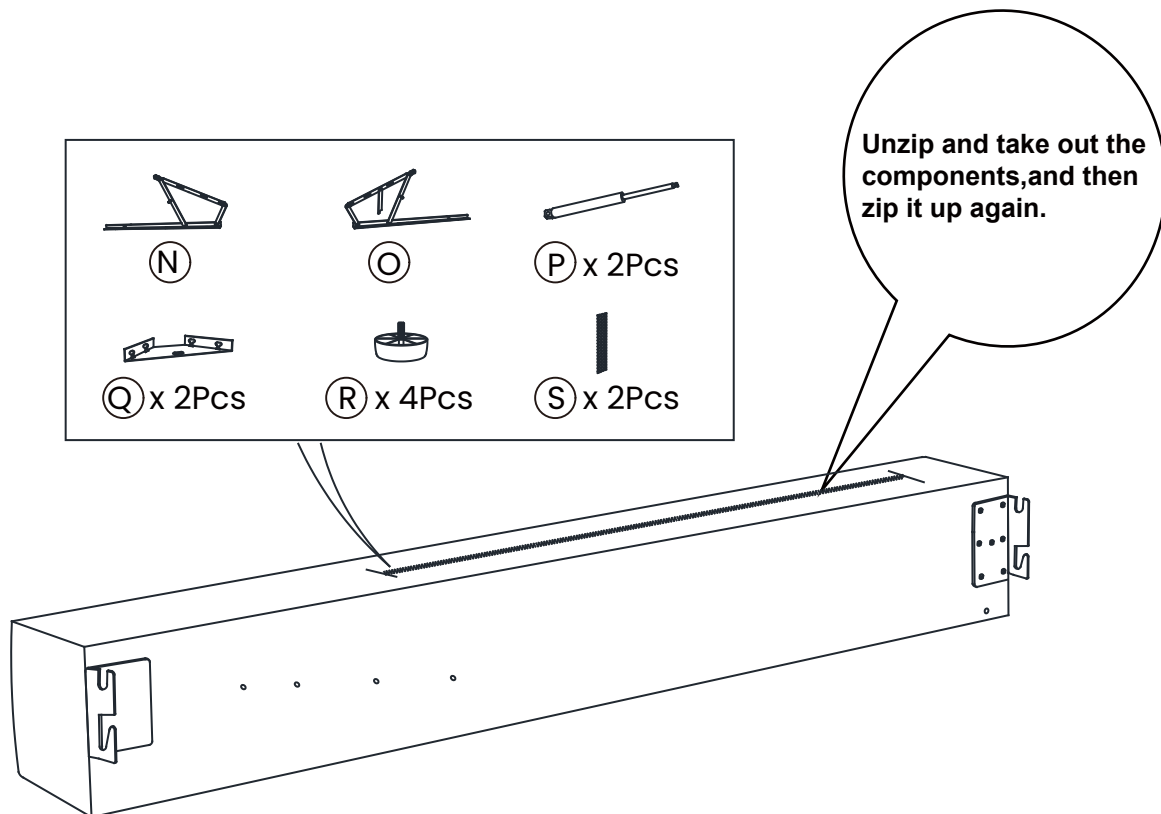
Allen Key M5  
**x2**

\*You will need a screwdriver (+/-) to complete this assembly.

# Step 1

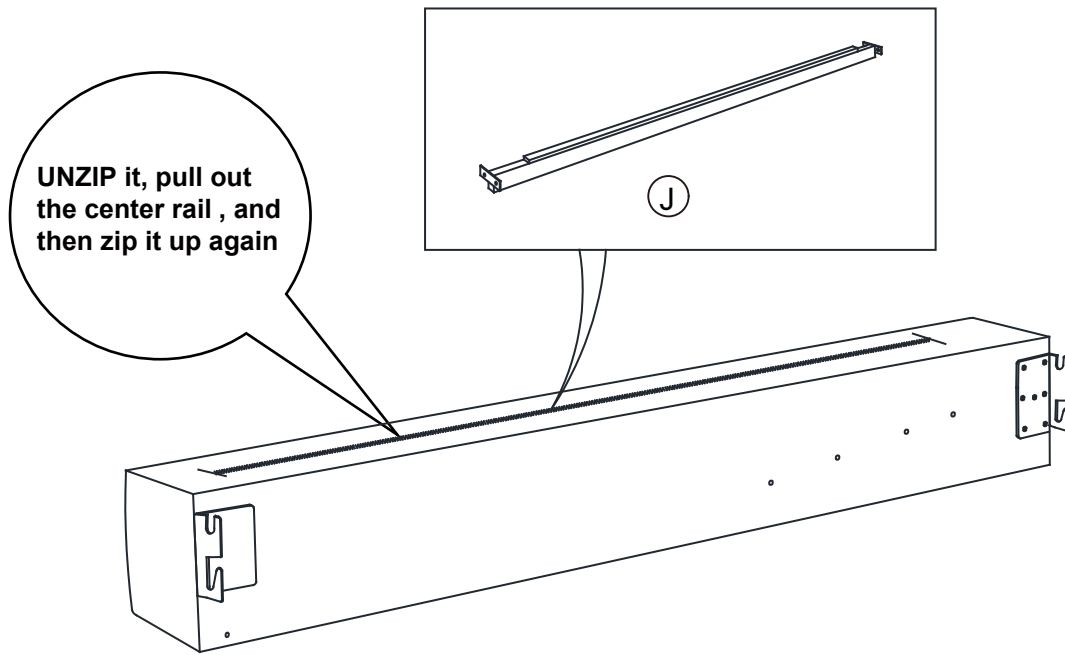


# Step 2



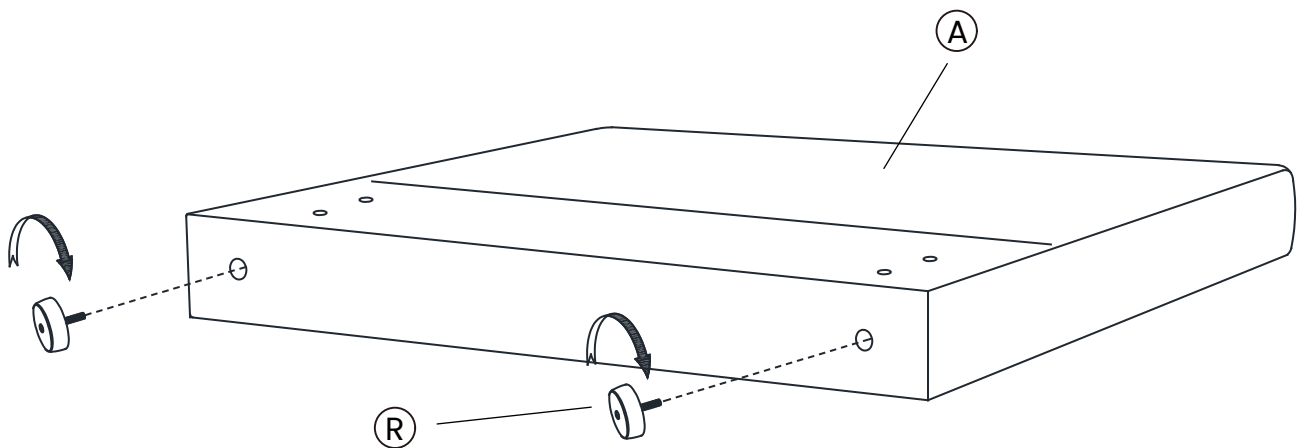
# Step 3

---

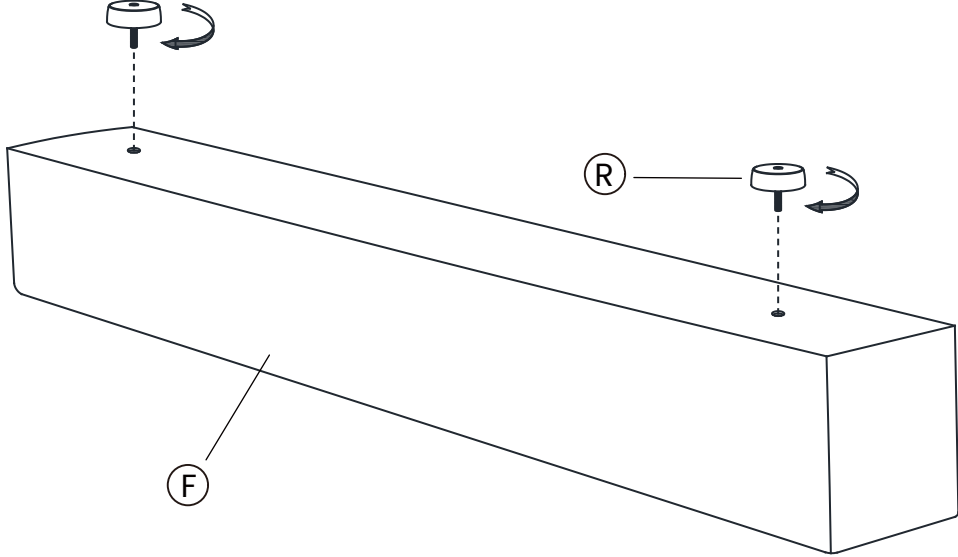


# Step 4

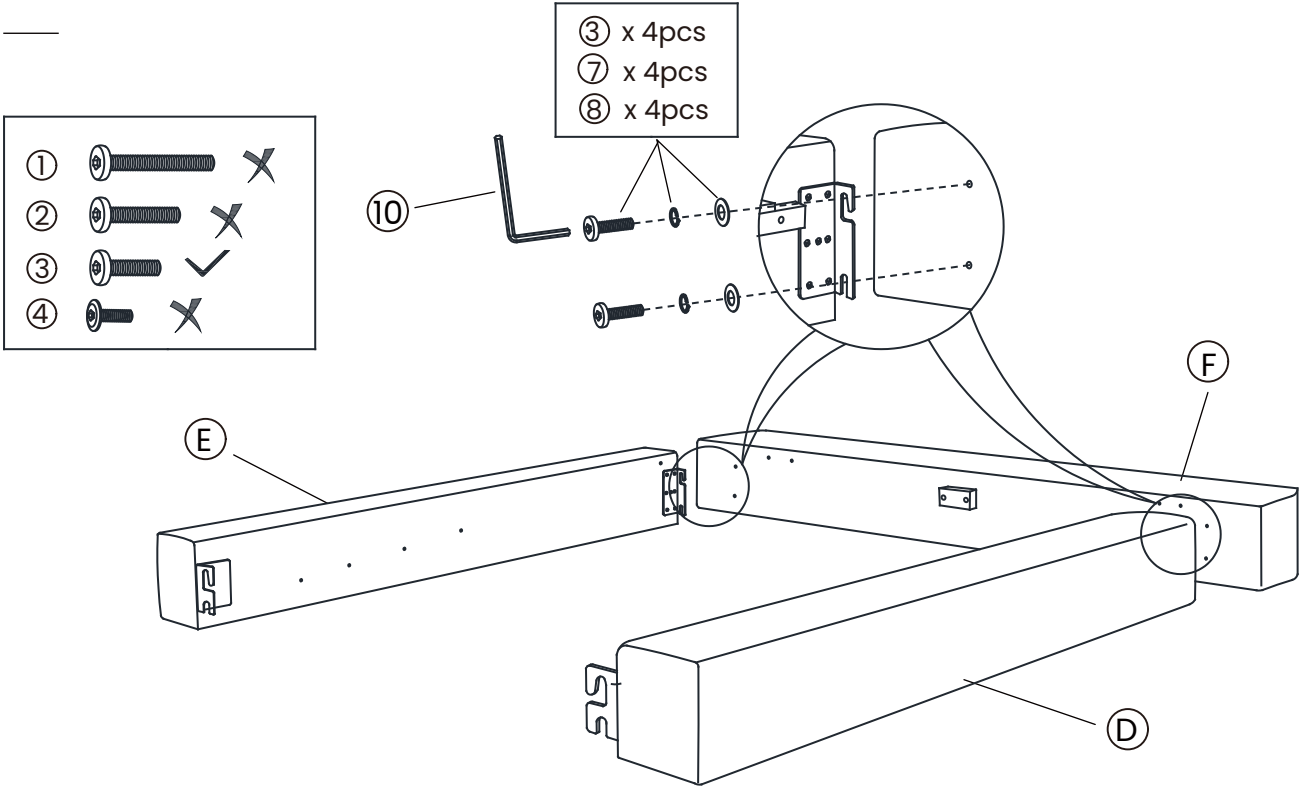
---



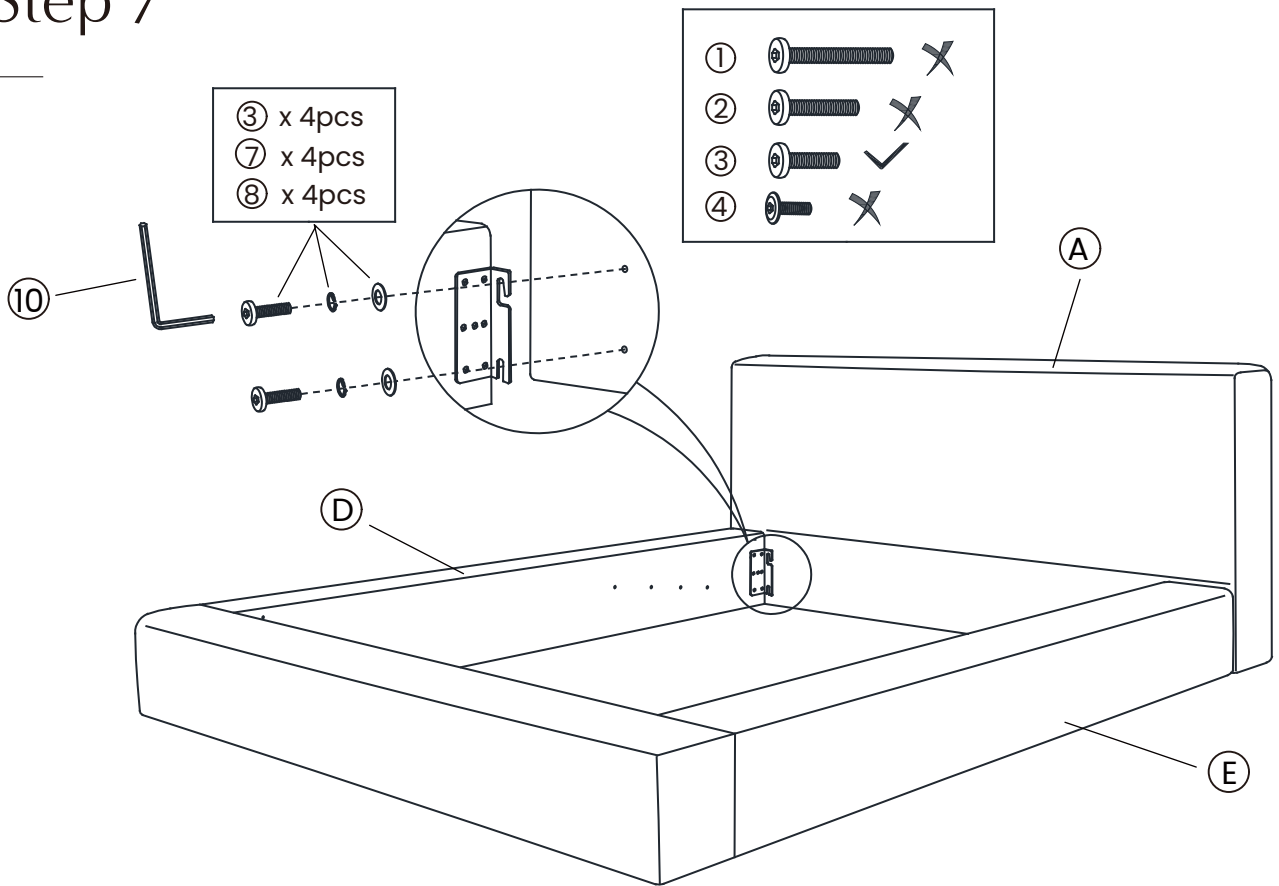
# Step 5



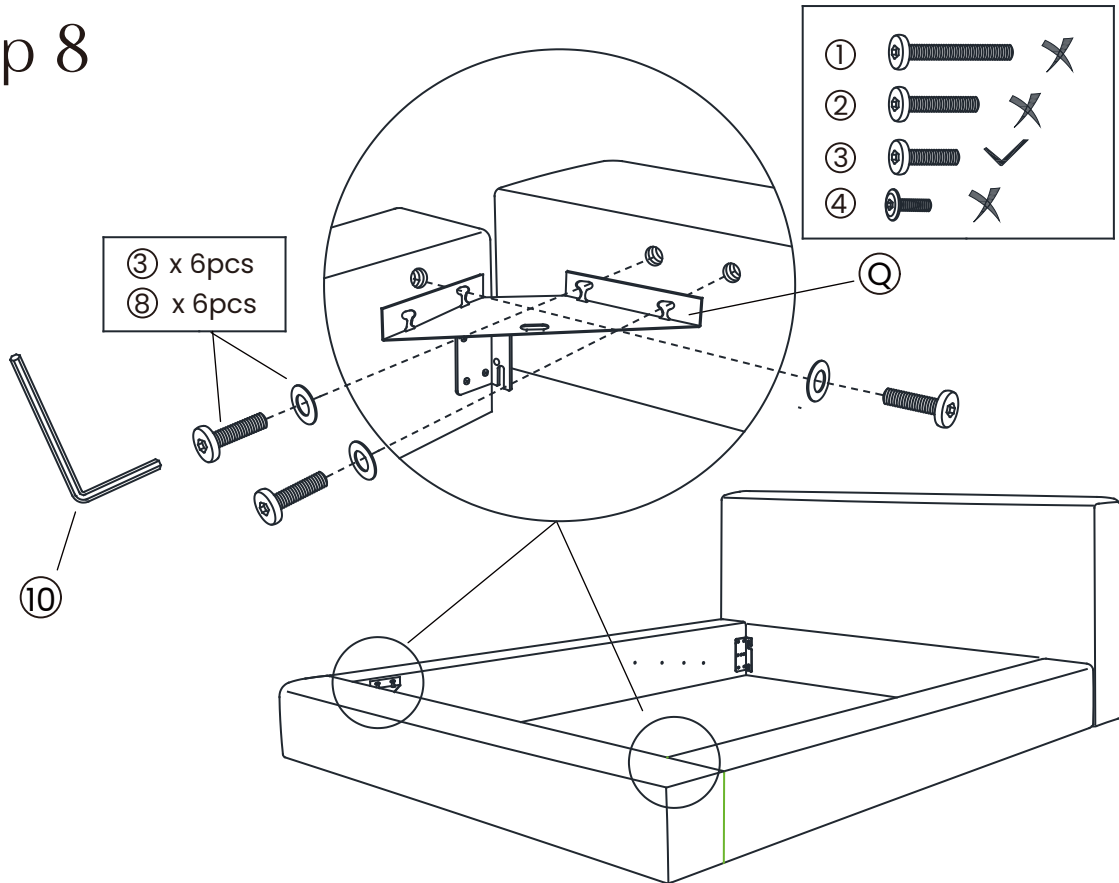
# Step 6



# Step 7

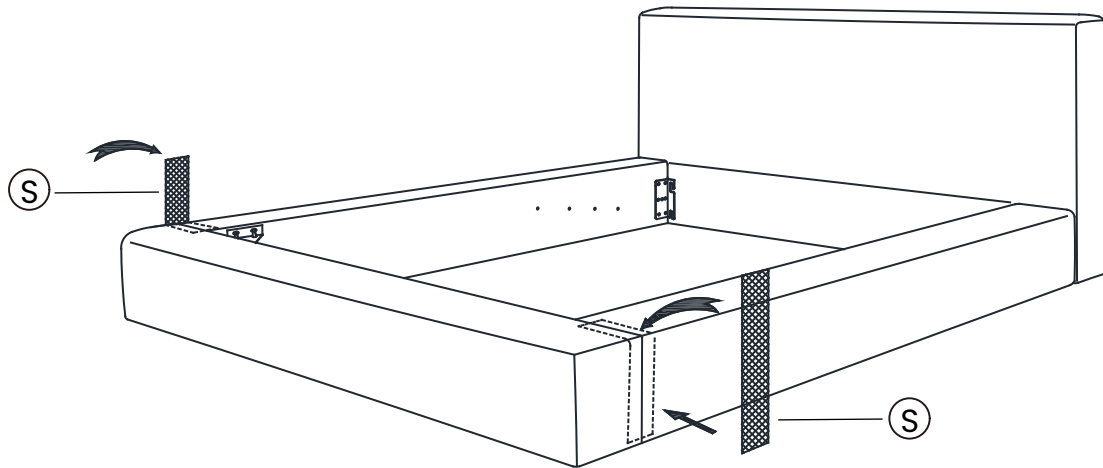


# Step 8



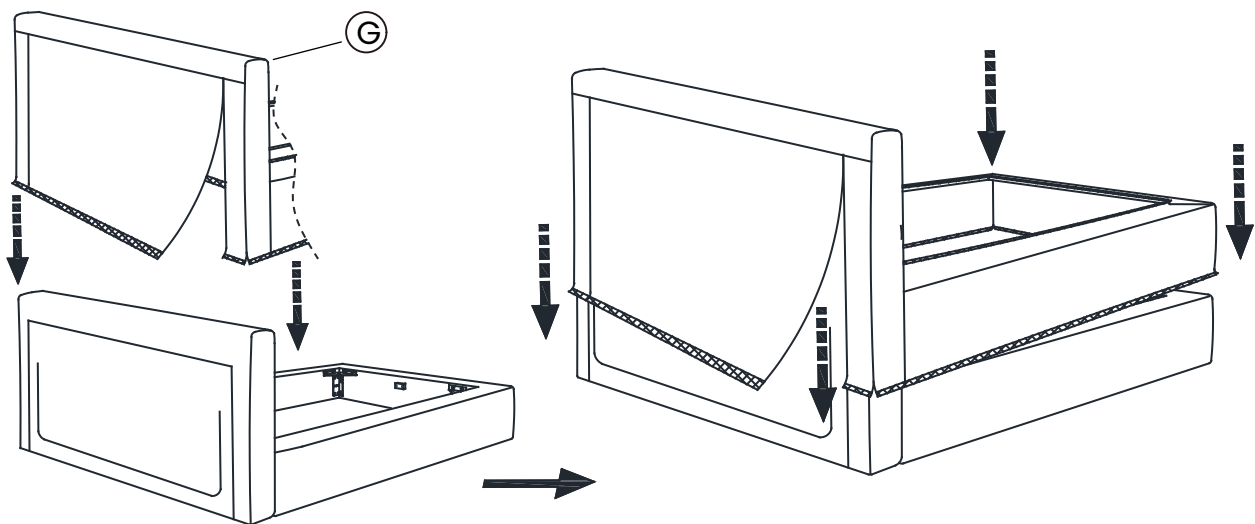
# Step 9

---



# Step 10

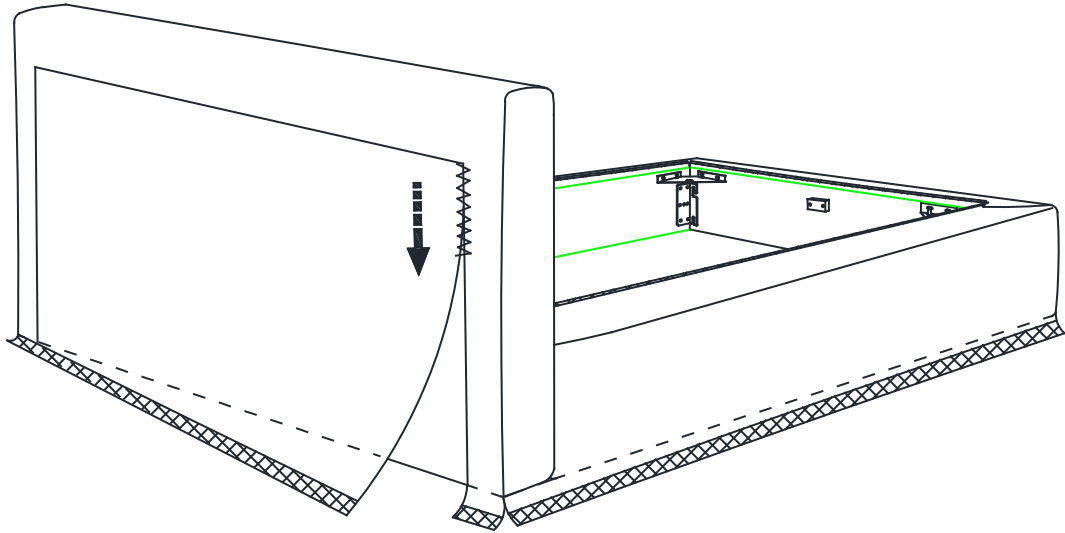
---



Firstly, fit the headboard cover, then fit the siderails & footboard covers. Finally, zip up the headboard cover.

# Step 11

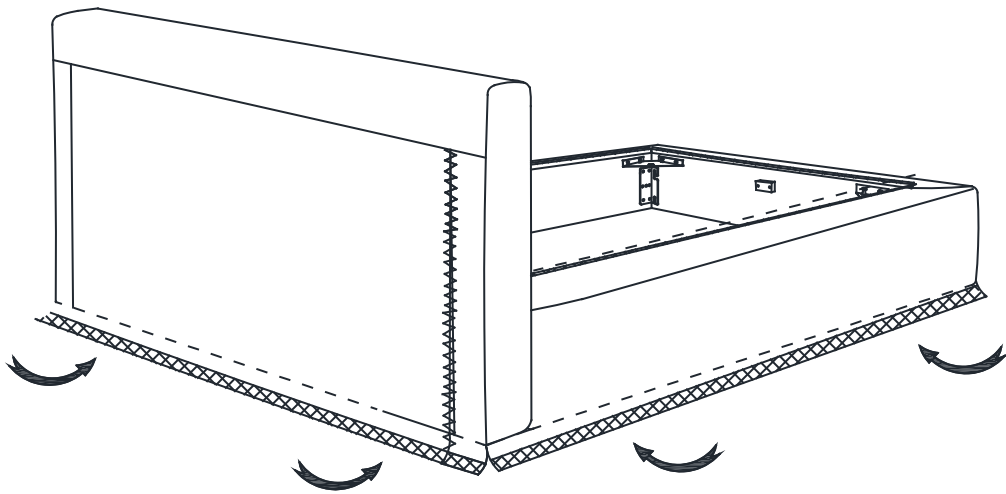
—



---

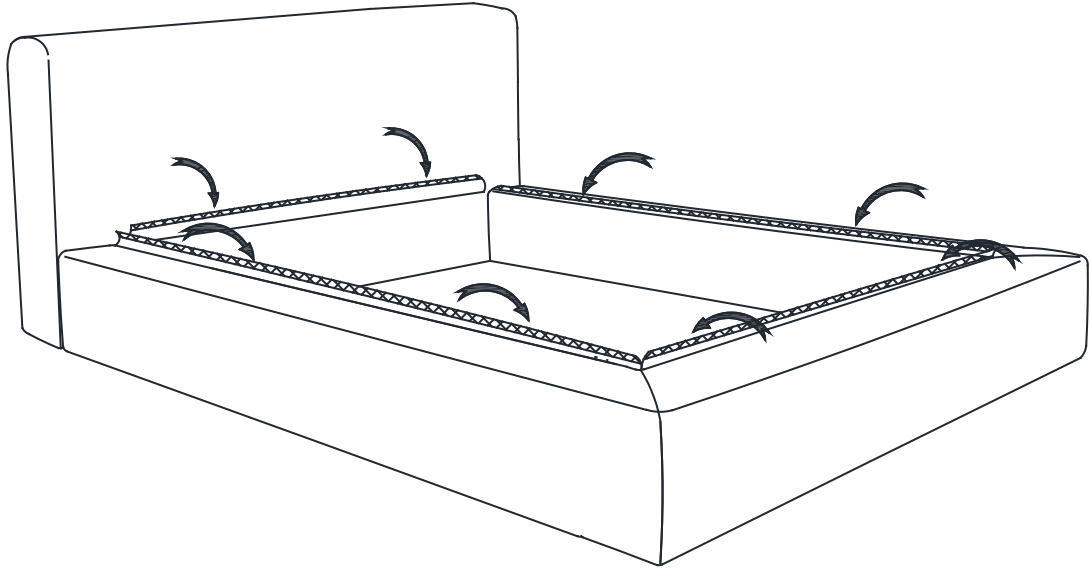
# Step 12

—



# Step 13

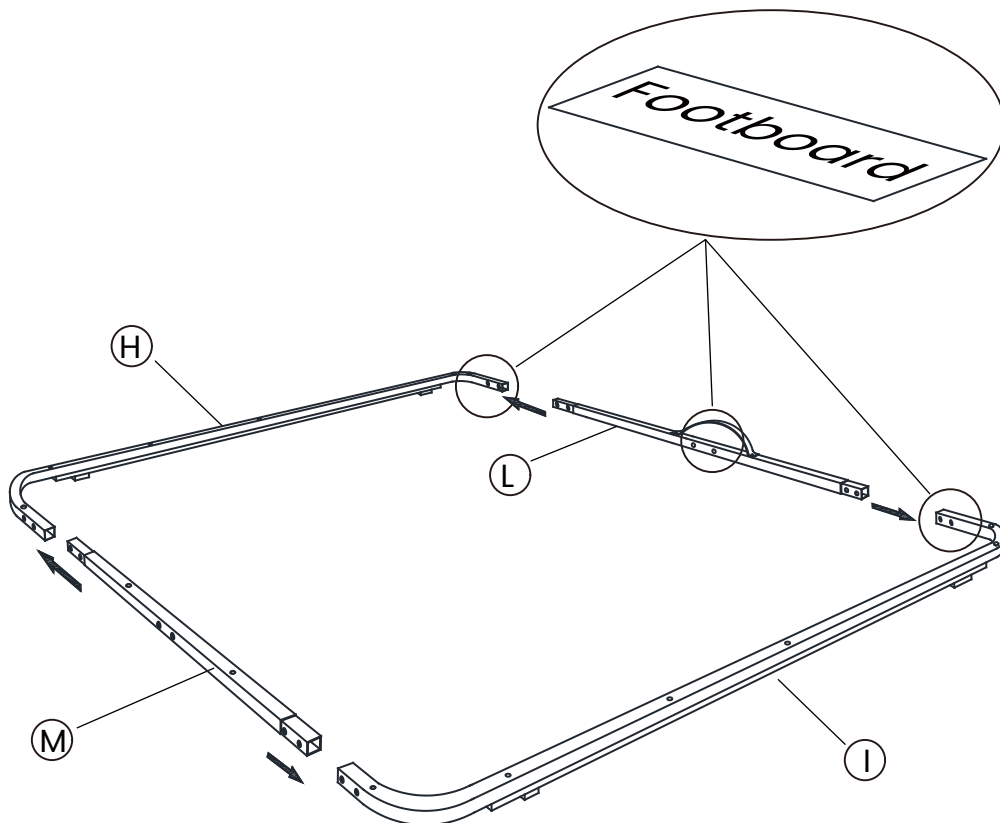
---



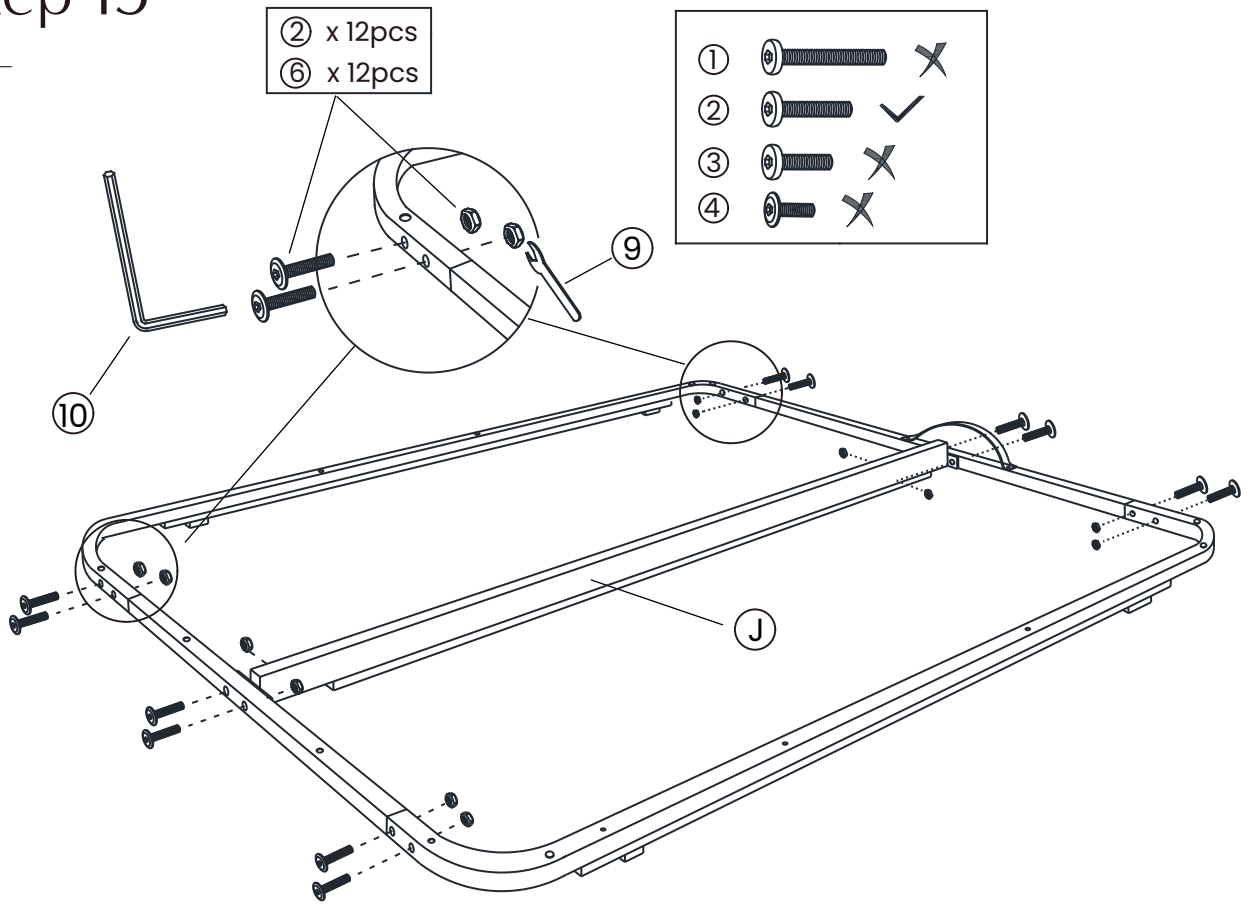
---

# Step 14

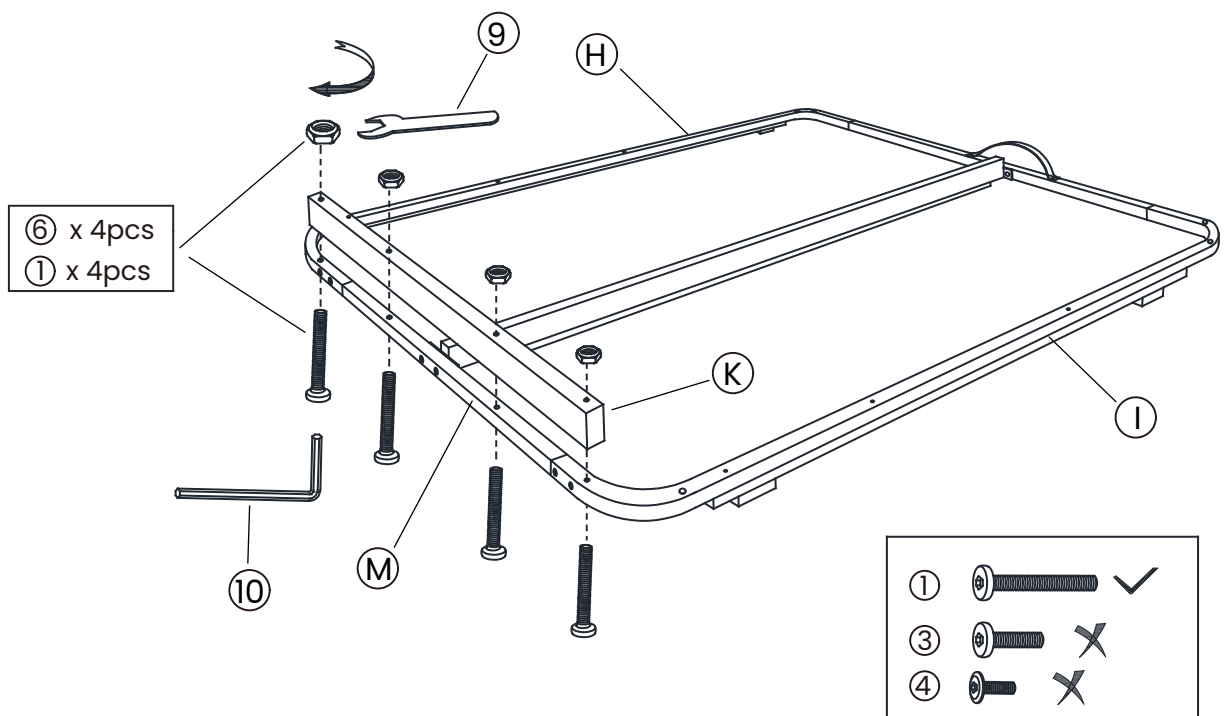
---



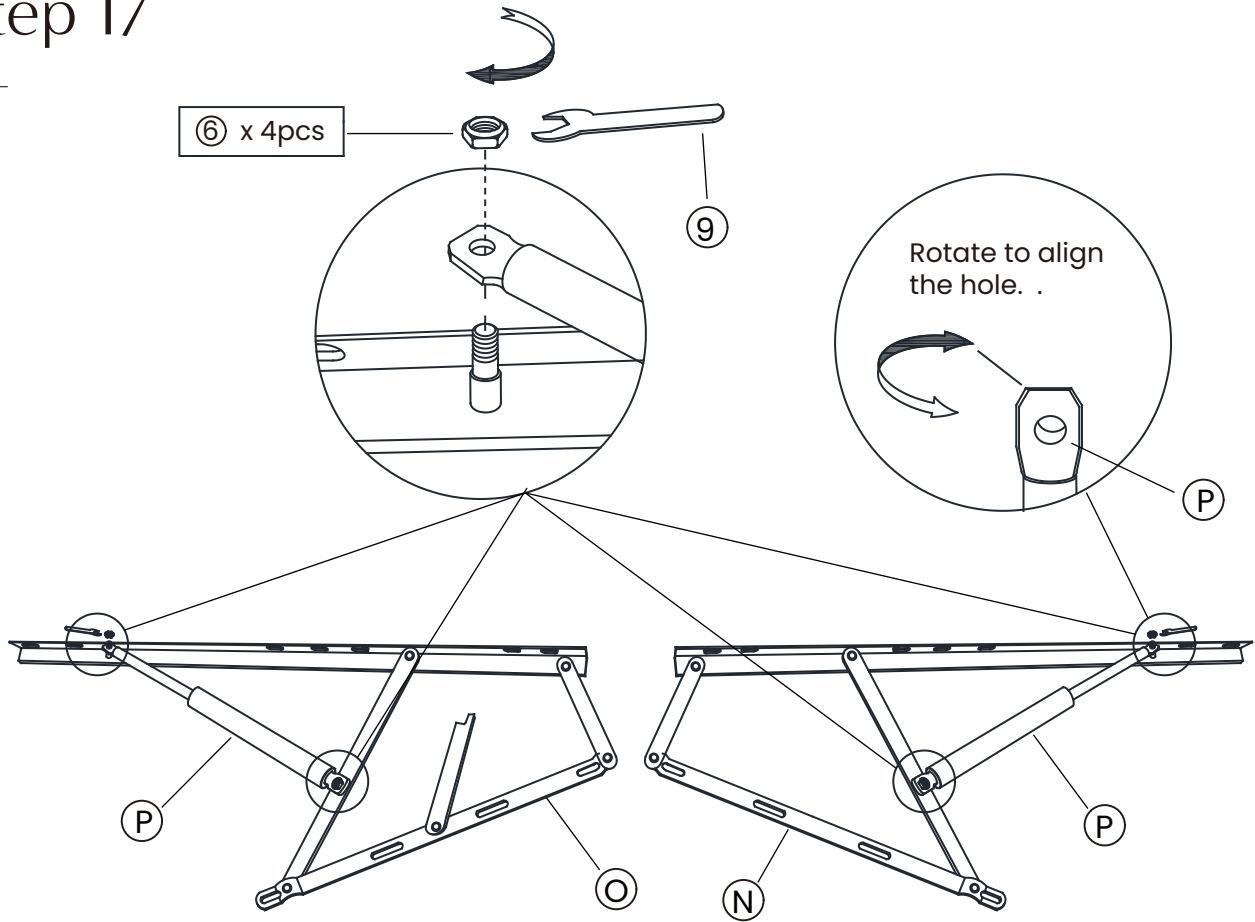
# Step 15



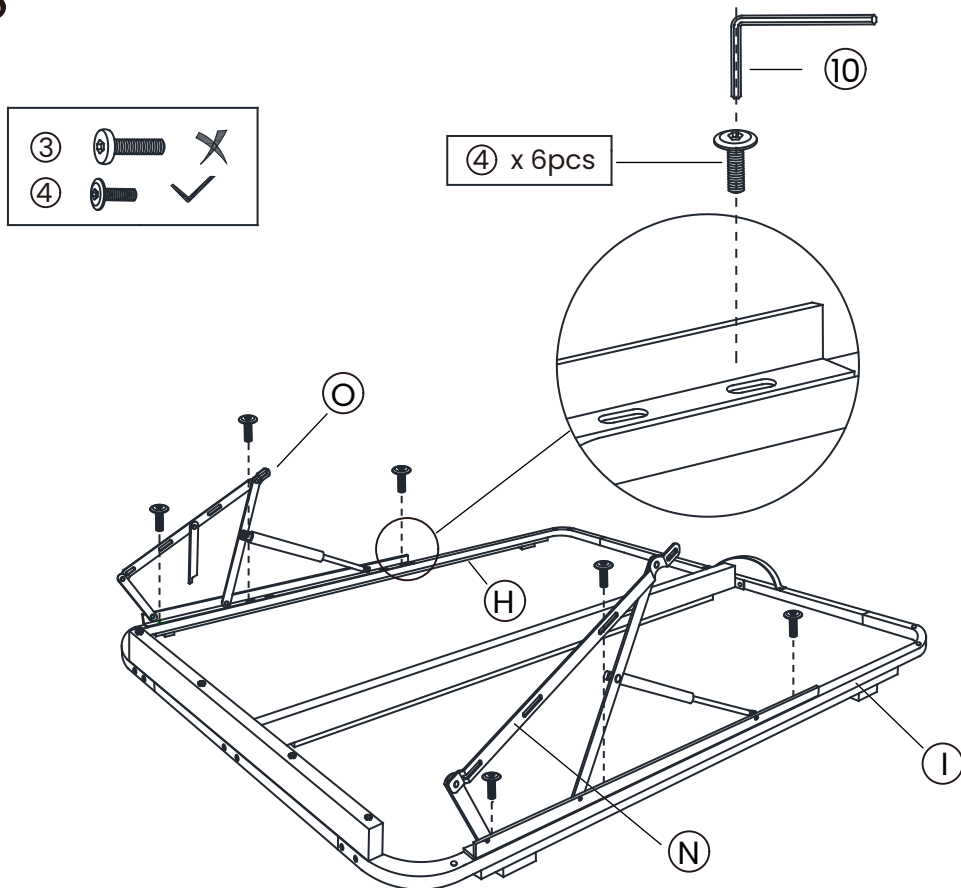
# Step 16



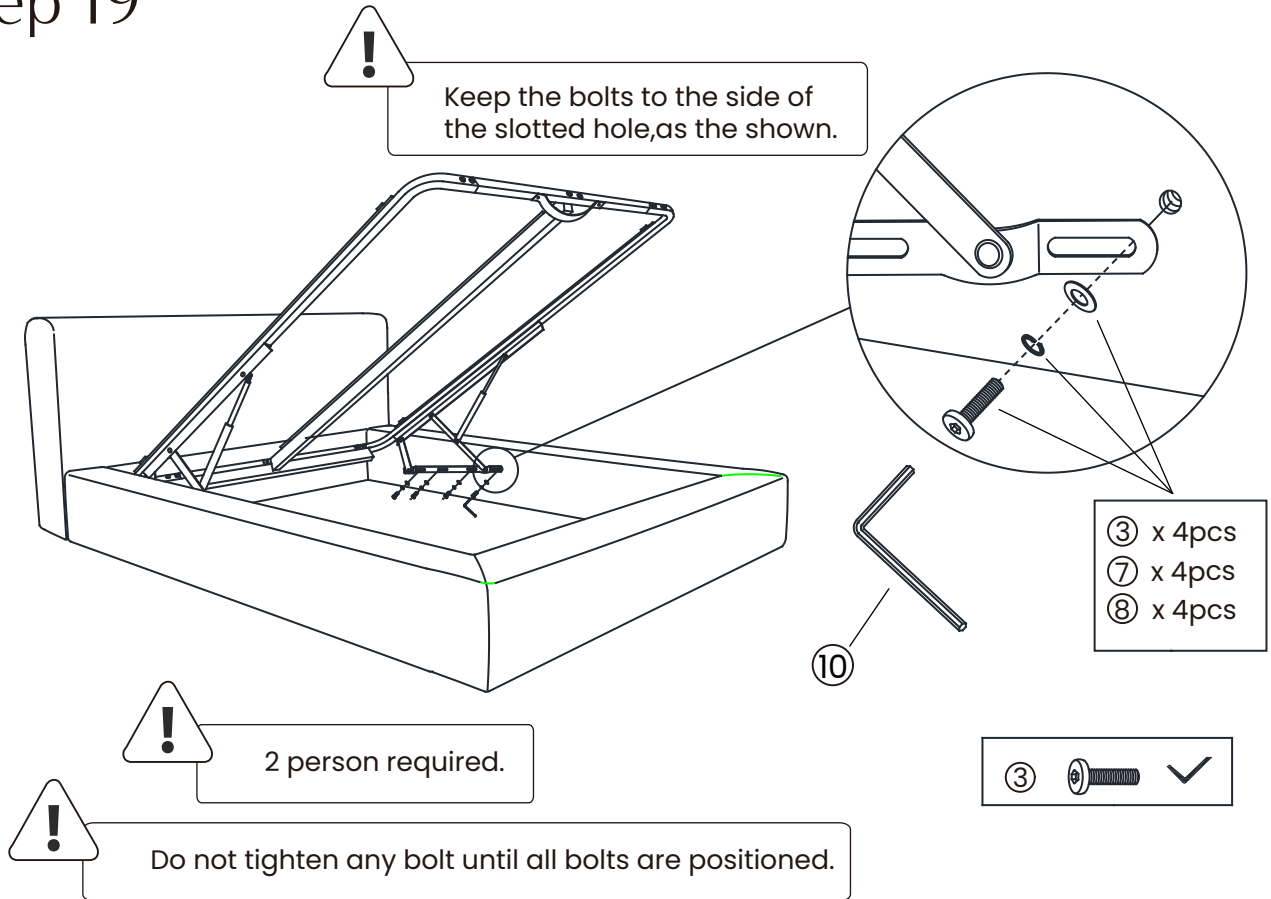
# Step 17



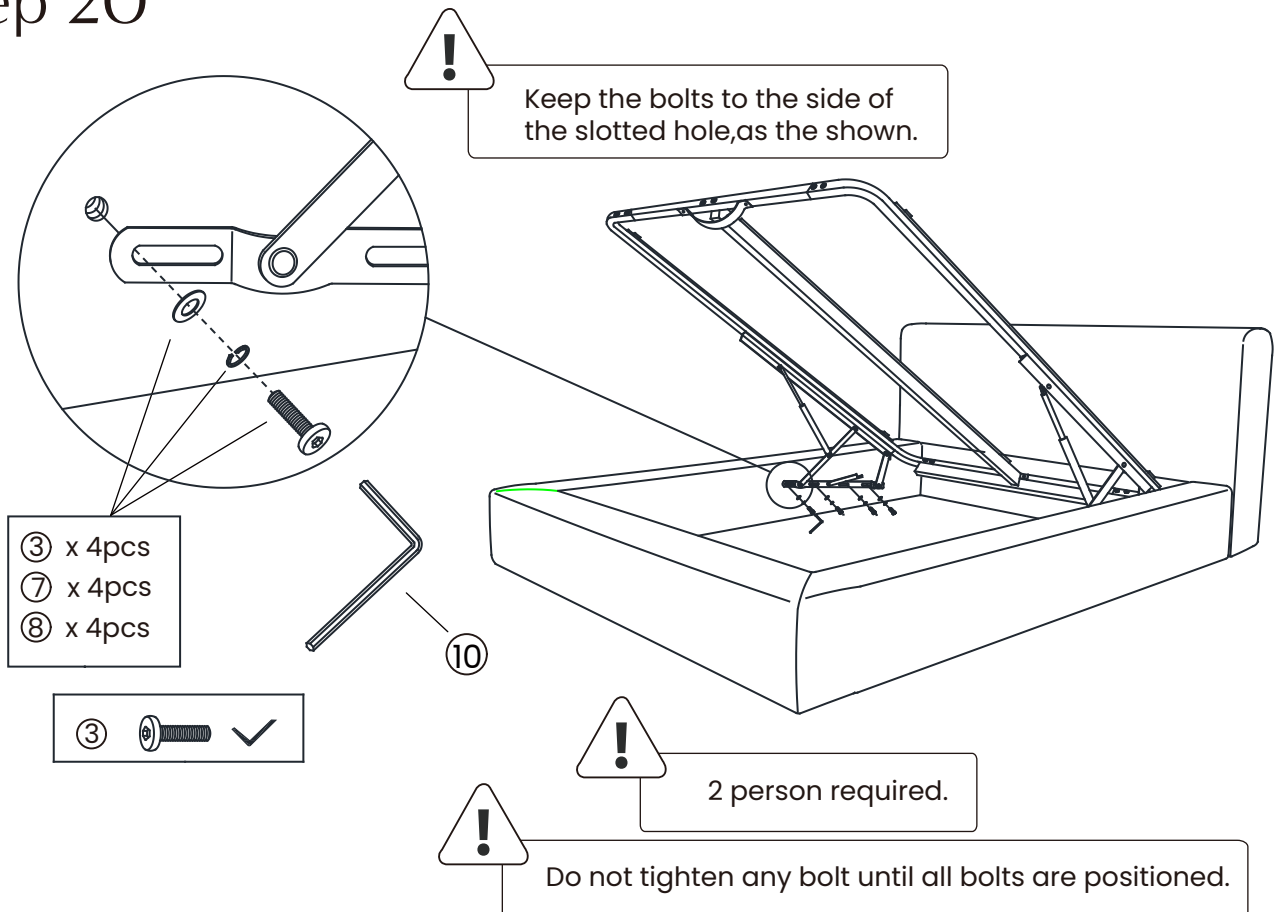
# Step 18



# Step 19

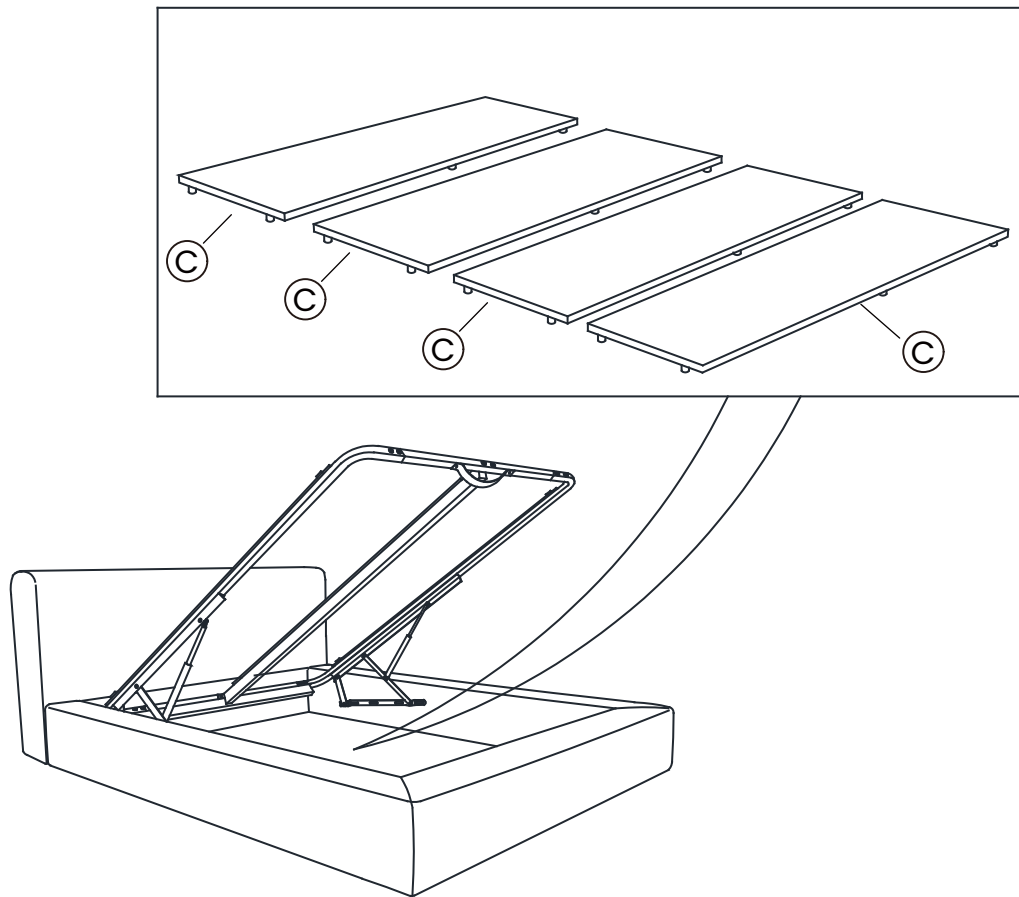


# Step 20



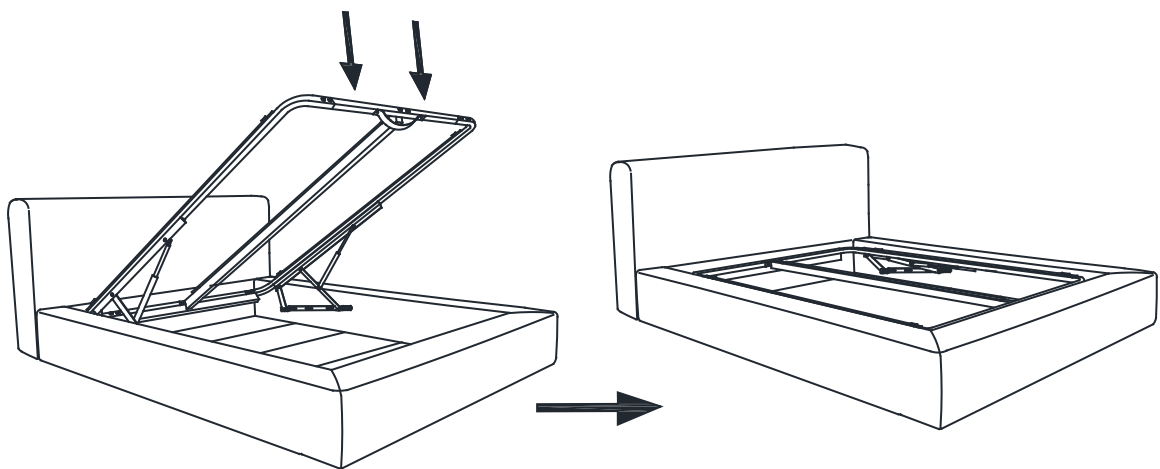
## Step 21

---



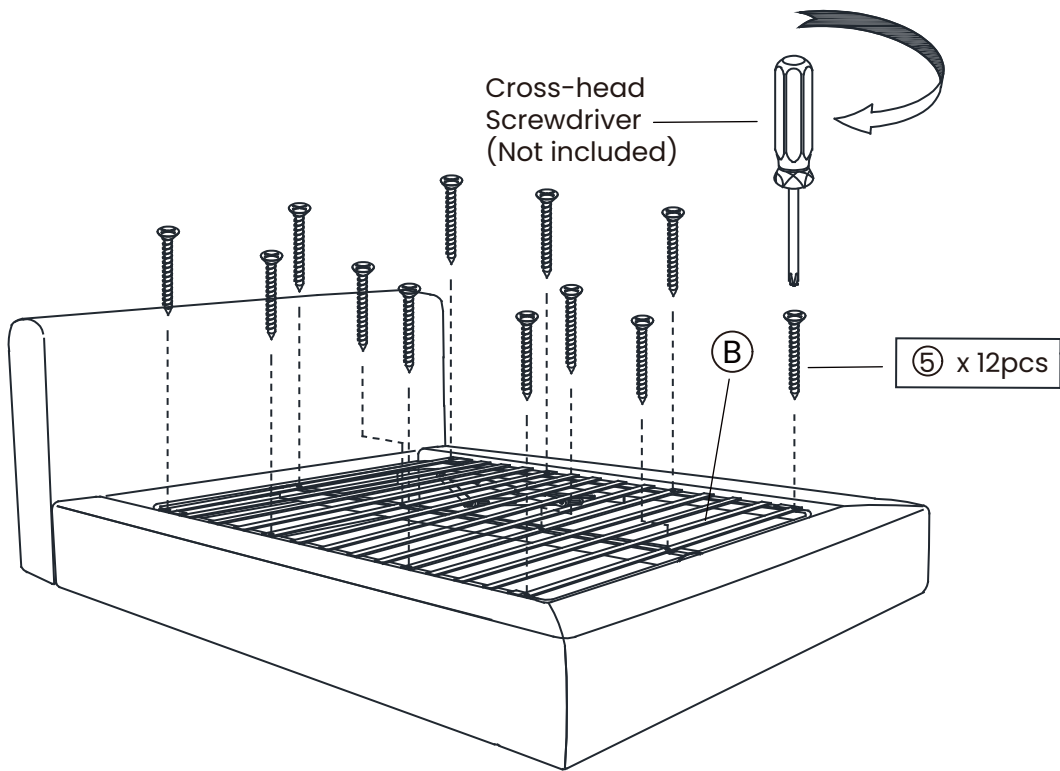
## Step 22

---



# Step 23

---



# Finished!

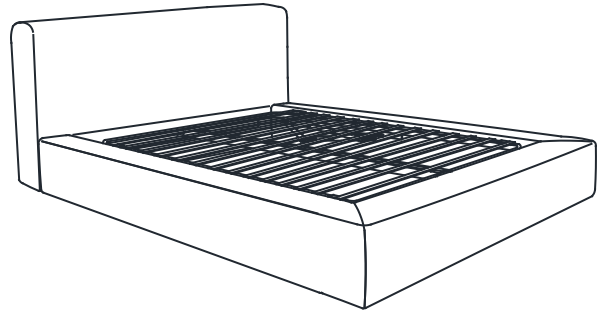
**Congratulations, we're almost there!**  
**Please perform the following checks:**

1. Do not miss any component.
2. Ensure all bolts are tightened.

**Always lift your Castlery product when moving it to your preferred location. Levelers (if any) may slant if you drag your product.**

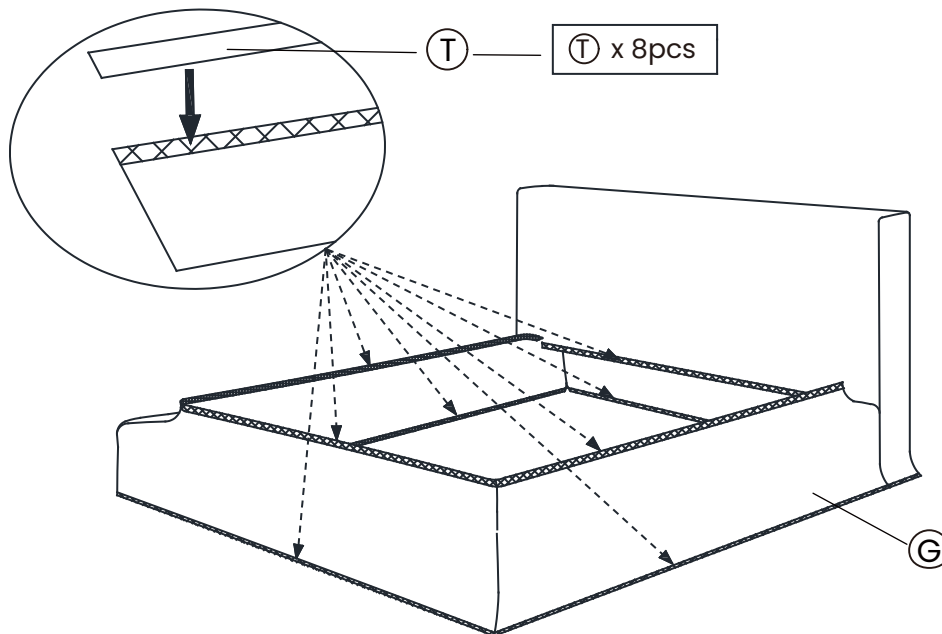
**Finally, clean the product with a clean cloth.**

**You're all set! Enjoy your new living space, thanks to the addition of your Castlery product.**



Note: Your actual product may have minor size differences due to manual measurements.

## COVER WASHING INSTRUCTIONS

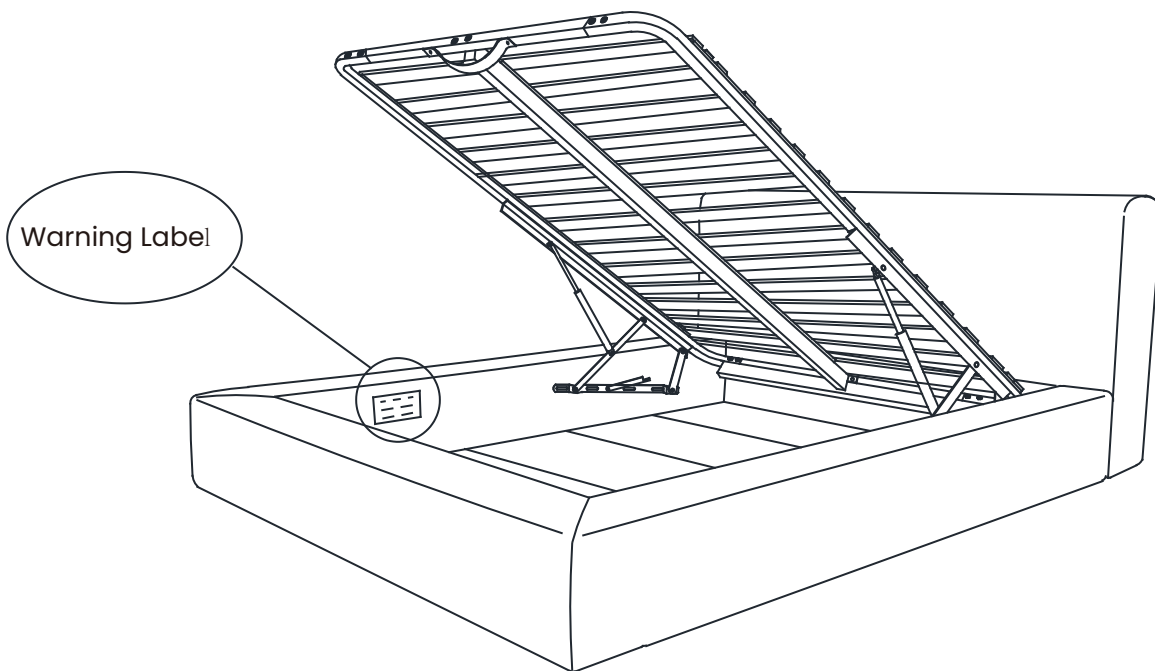
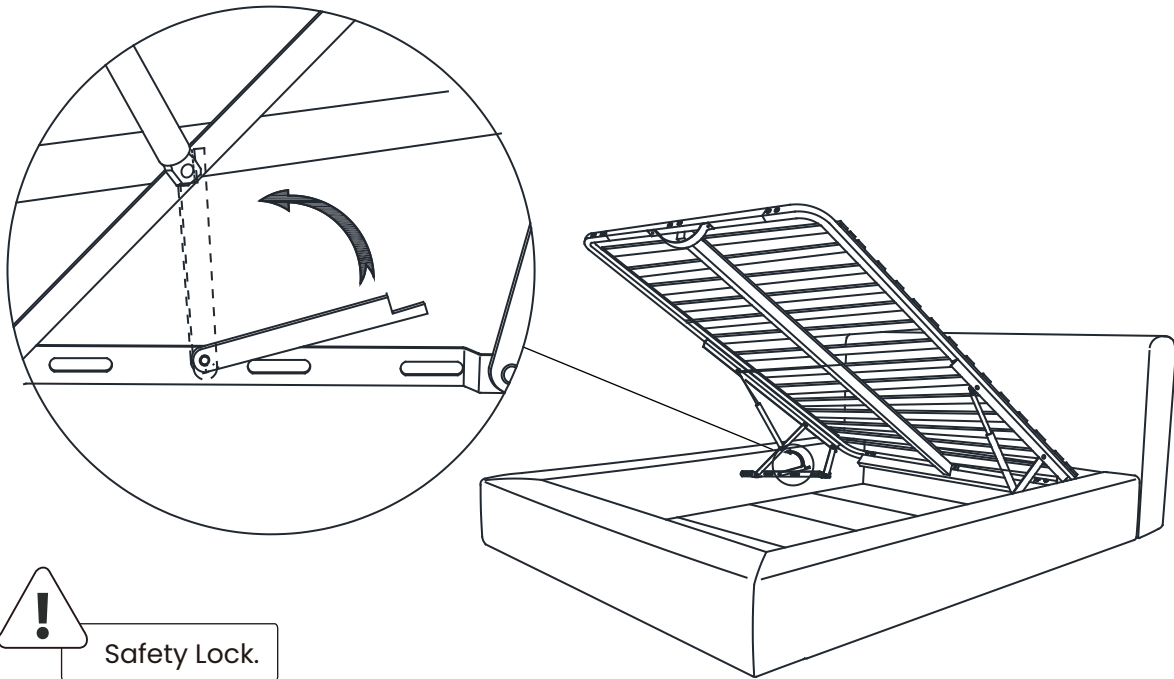


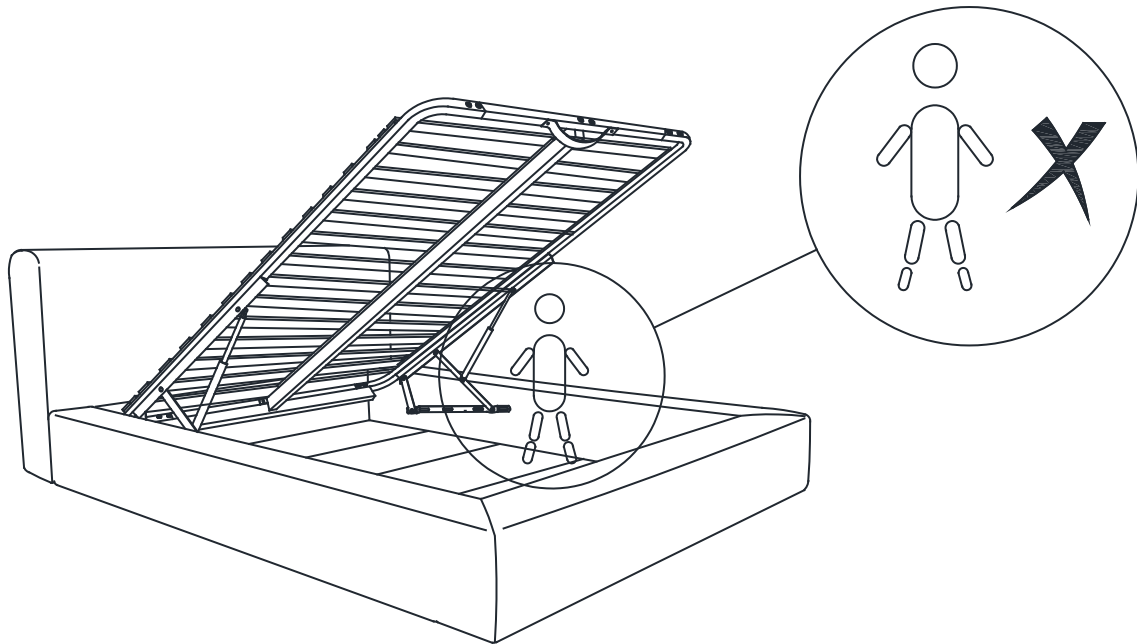
To prevent the velcro damages fabric, recommend to stick the attached velcro protectors when washing cover.



The velcro protectors are reusable.

# OPERATING INSTRUCTIONS





**WARNING:**

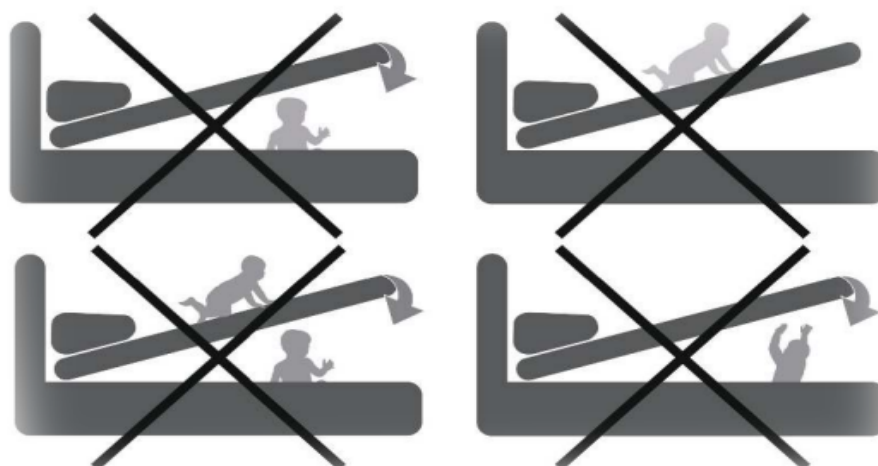
**Never allow children near the bed when opening & closing it to prevent accidents.**

Specifically. Do NOT allow children to:

- Sit inside of the storage bed while it is open.
- Hang from the strap that is used to open the bed.
- Climb on top of the mattress while the storage bed is open.

**Failure to heed this warning could result in a serious injury, suffocation, and even death**

- Always be careful not to place hands near or under the hinges when opening & closing the bed. Failure to heed this warning could result in serious injury to fingers & hands.
- Do not stand, jump or sit on the slats. Failure to heed this warning could result in serious injury.
- Do not open the storage bed when there is no mattress on top of it.
- Never move the bed frame while the storage portion is open.
- Do not use the product if it is damaged or showing signs of malfunction.



**IMPORTANT SAFEGUARDS**  
**THE BASIC SAFETY PRECAUTIONS LISTED**  
**ABOVE SHOULD BE FOLLOWED.**

# Care

## Instructions

**Your furniture, if treated with respect and love, will last you a long time. Each piece requires light maintenance to maximize its longevity.**

### **Upholstered Bed Care**

#### **General Care**

- Always move the bed by lifting it at the base, do not drag.
- Avoid prolonged exposure to direct sunlight and keep furniture away from any heating source to prevent fading or discoloration.
- Using a brush attachment, vacuum fabric regularly to remove any dust particles.
- Blot spills immediately and gently with a clean microfiber cloth. Do not rub.
- Professional cleaning is advised for tough stains
- Avoid abrasive cleaners and placing rough or sharp objects on the surface.

**Follow the care instructions and look after your furniture. In return, your furniture will look after you. For more information on our care instructions, visit our product website at [www.castlery.com](http://www.castlery.com).**

**We hope to see you soon!**