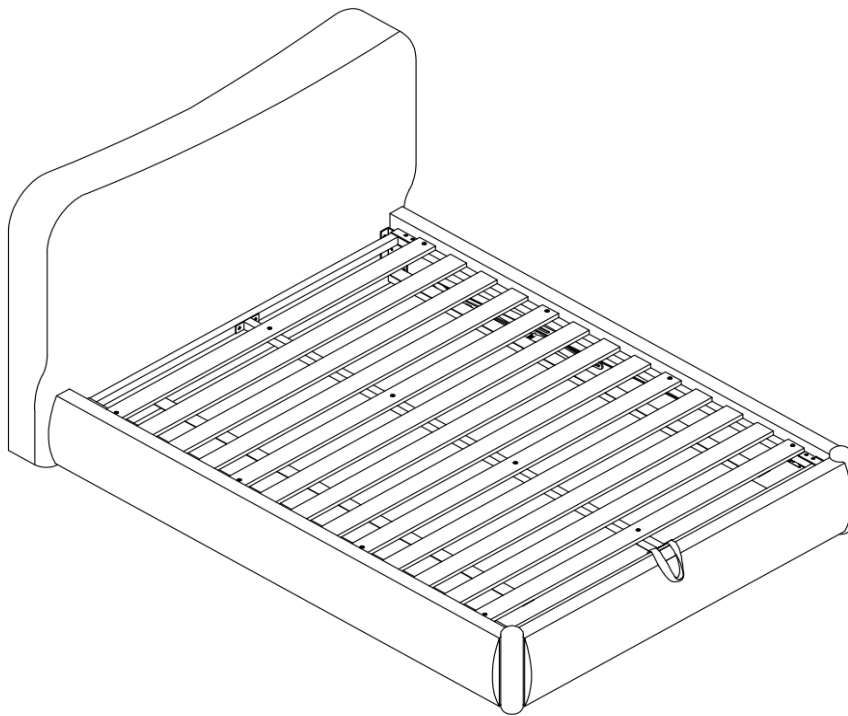


# ROCHELLE KING SIZE STORAGE BED



# Hello there.

We're so glad that our Castlery product has found a home with you. As proud makers of modern, quality furniture, we're confident that you will love and enjoy your purchase.

Setting it up is easy. Read on for a step-by-step guide to have your item assembled and ready for use.

Once you're done, consider sharing a photo on social media or leaving us a review. We'd love to see how you've styled it in your space.

**Thank you for being part of the Castlery community!**

---

## Contact us.

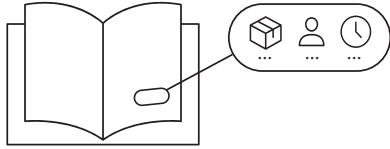
Should you have any questions or concerns regarding your purchase, you can contact us via [www.castlery.com/contact-us](https://www.castlery.com/contact-us).



[www.castlery.com](https://www.castlery.com)



## Before you start...



Check that you have received all cartons and familiarize yourself with the assembly requirements. This includes setting aside the allocated time required and having someone to assist you, if needed.



Ensure enough space for assembly. We recommend protecting your floor with a mat or cardboard to avoid scratches during the assembly process.



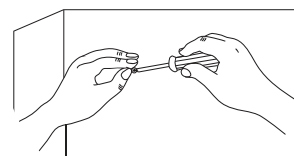
Read instructions carefully, and check that no parts are missing.



Lay out all hardware on a soft surface so you can easily identify them.



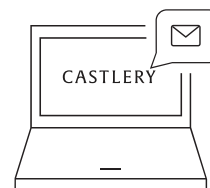
Carefully identify all components to differentiate which pieces are left and right.



Carefully install your new product following the instructions stated. Don't skip ahead!

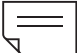


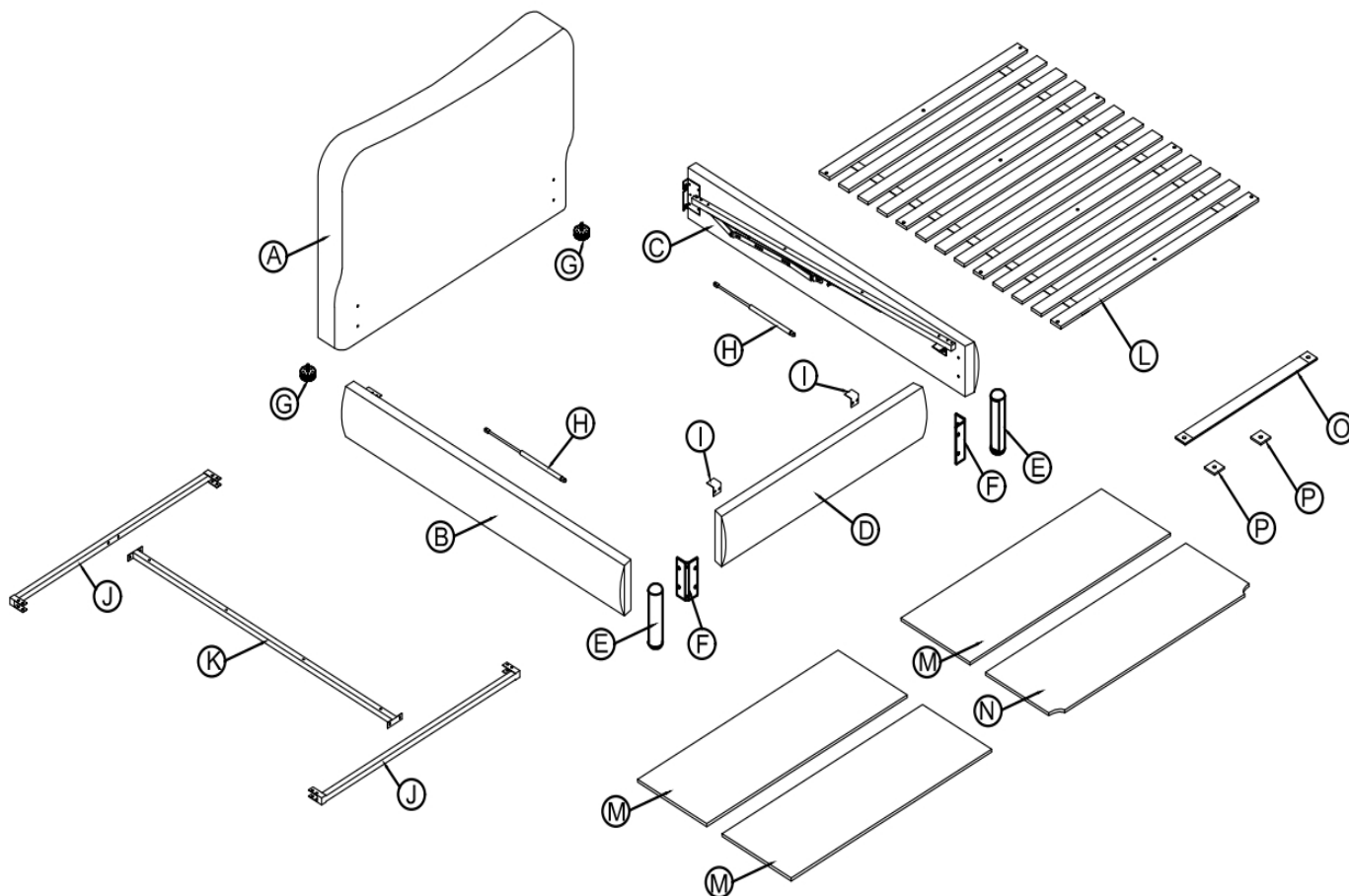
**DO NOT** over-tighten screws or use a drill. Only professional assemblers should use a drill.











If you need further assistance, please contact us via [www.castlery.com/contact-us](http://www.castlery.com/contact-us).

# Overview

 Batch code label is located the headboard back.

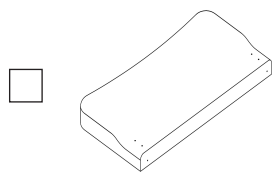


 **x2**     **x2**     **90 mins**

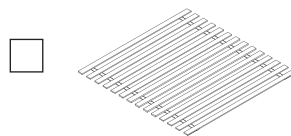
-  **IMPORTANT: 2 persons needed for assembly.** This will help to minimize potential damage to the product or injury to persons during assembly.
-  There are inner box(es) that include components required to complete this assembly.
-  Please do not completely tighten all the hardware, until each assembly step is complete.
-  Before discarding the packaging, please use the checklist to ensure that you have all the parts required to assemble your product. Please kindly note if applicable please keep the original package when you want to return the product later.
-  If parts are missing or damaged, we will gladly ship your replacements parts free of charge. Please contact us via [www.castlery.com/contact-us](http://www.castlery.com/contact-us). Illustrations in this guide are for reference only and may be slightly different from the actual object.

# Parts

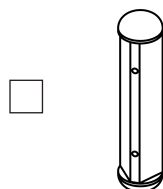
## BOX 1 OF 2



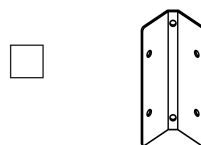
Ⓐ Headboard  
**x1**



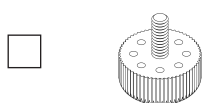
Ⓕ Slat  
**x1**



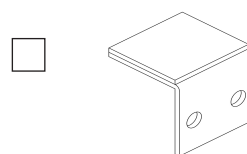
Ⓔ Leg  
**x2**



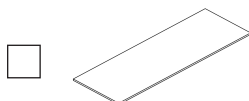
Ⓖ Bracket  
**x2**



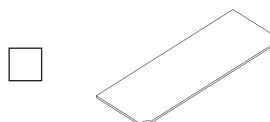
Ⓖ Levelers  
**x2**



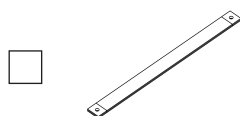
Ⓘ L-Shaped Metal Plate  
**x2**



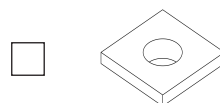
Ⓜ Bed Board  
**x3**



Ⓝ Bed Board  
**x1**

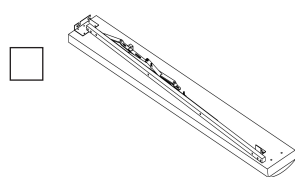


Ⓞ Pull Strap  
**x1**

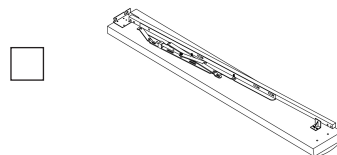


Ⓟ Pull Strap Washer  
**x2**

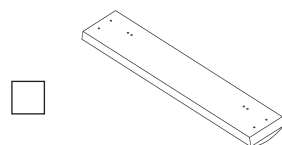
## BOX 2 OF 2



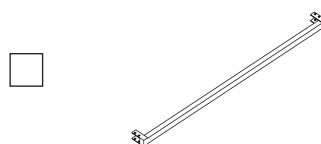
Ⓑ Side Rail L  
**x1**



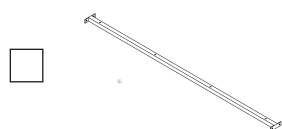
Ⓒ Side Rail R  
**x1**



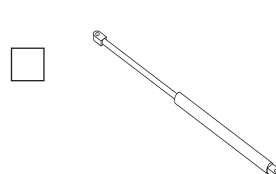
Ⓓ Footboard  
**x1**



Ⓙ Front & Foot Rail  
**x2**



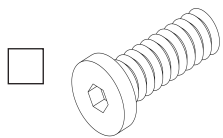
Ⓚ Center Rail  
**x1**



Ⓕ Gas Strut  
**x2**

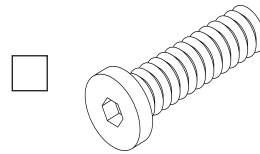
# Hardware

## BOX 1 OF 2



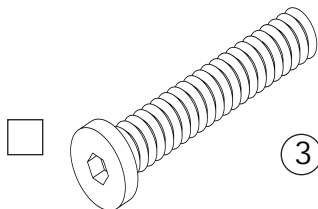
①

Bolt M8\*25mm  
**x32**



②

Bolt M8\*30mm  
**x4**



③

Bolt M8\*45mm  
**x8**



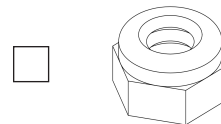
④

Spring Washer  
**x32**



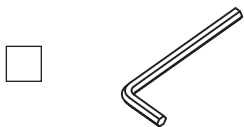
⑤

Flat Washer  
**x28**



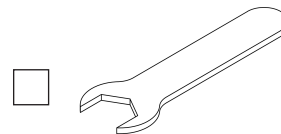
⑥

Nut  
**x12**



⑦

Allen Key  
**x1**

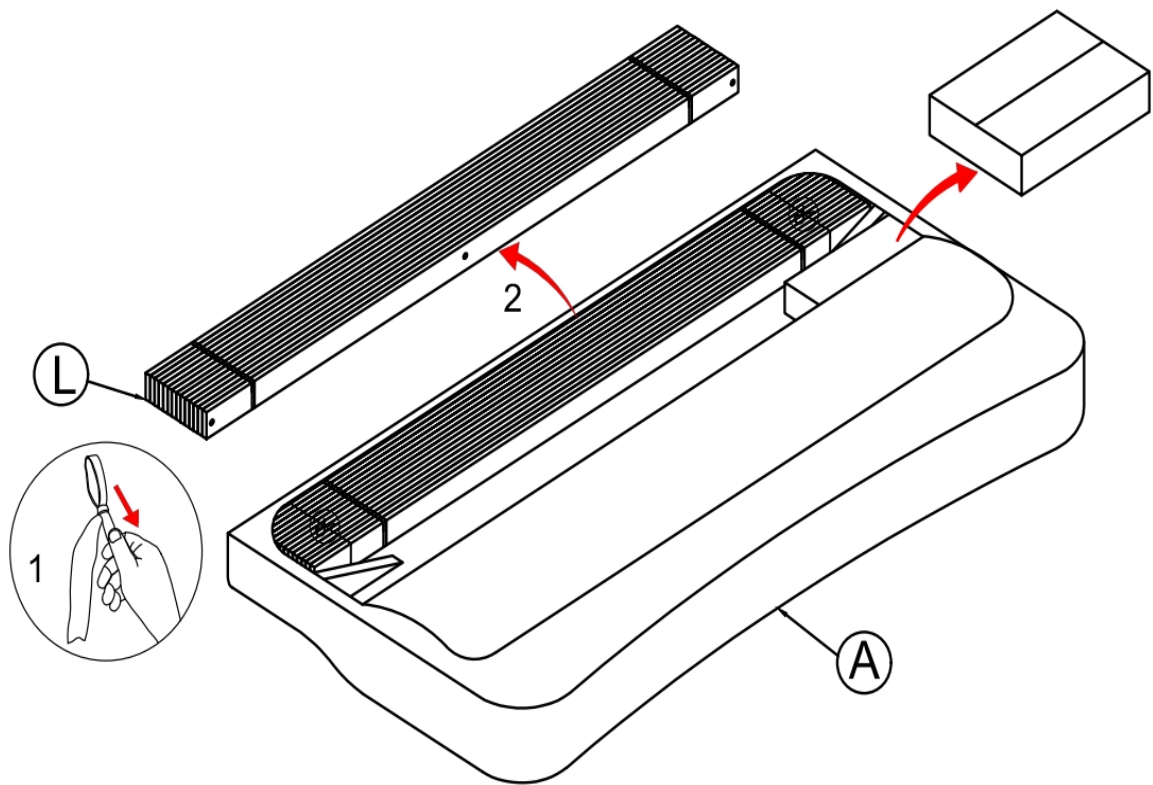


⑧

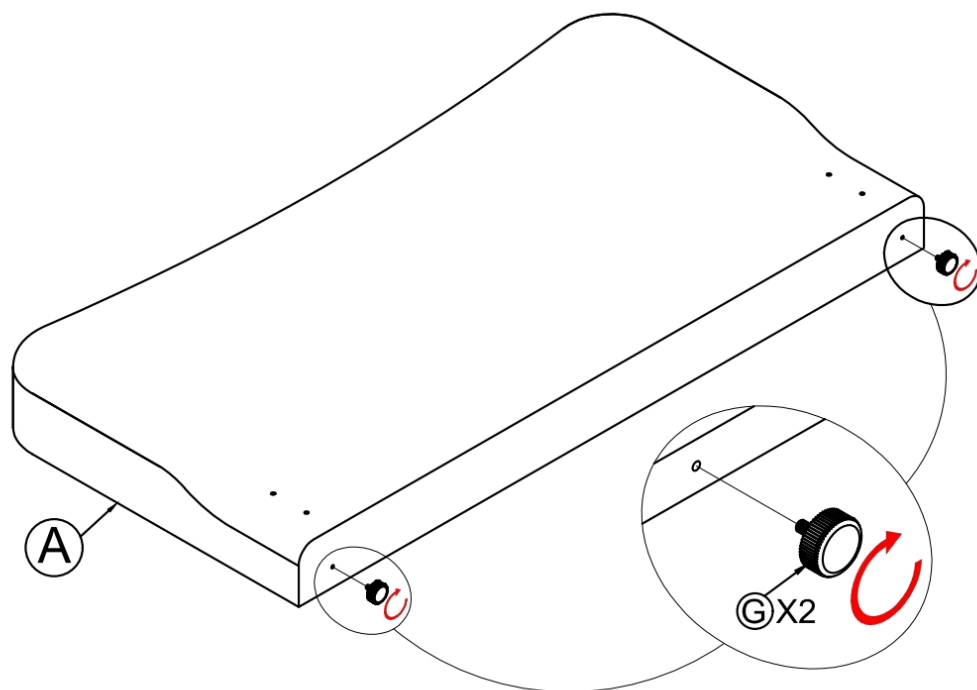
Allen Key  
**x1**

**\*You might need a screwdriver (+/-) to complete this assembly.**

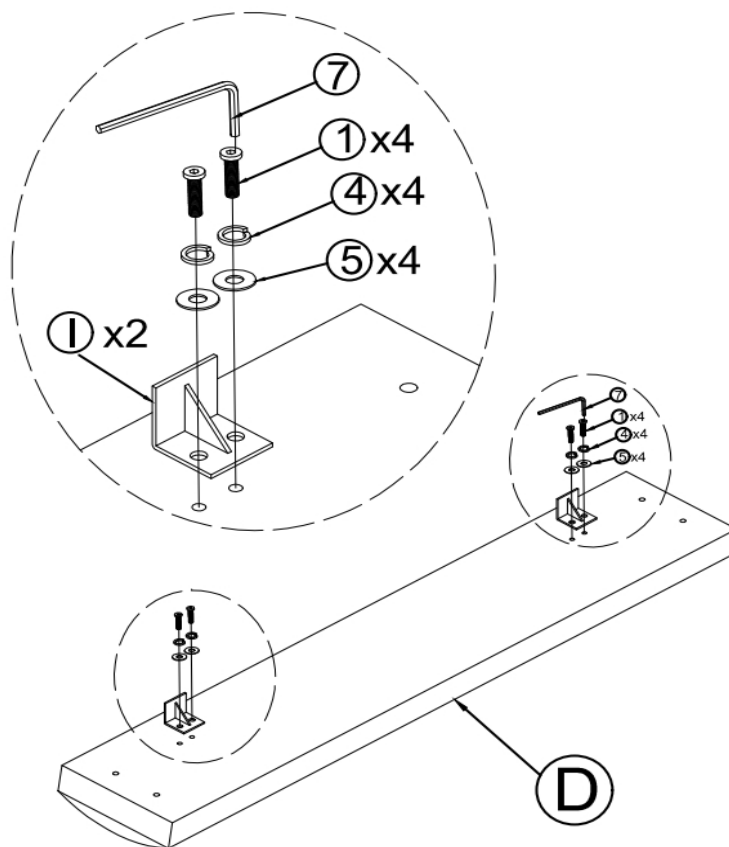
# Step 1



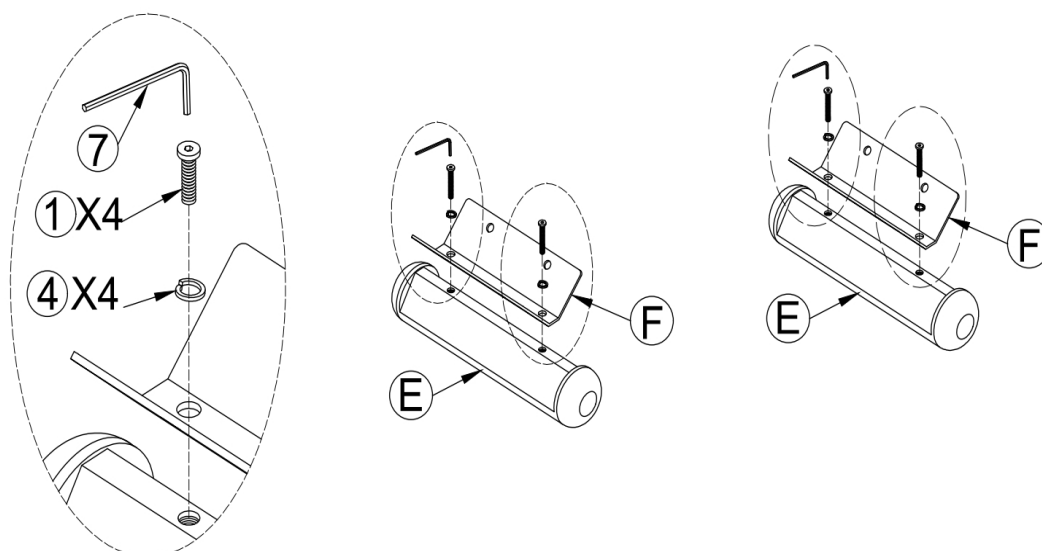
# Step 2



## Step 3

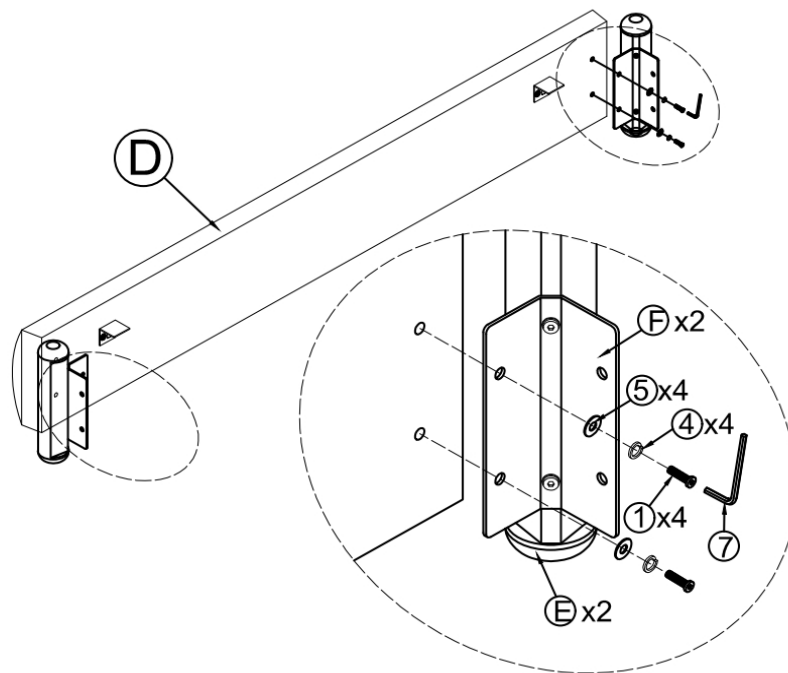


## Step 4



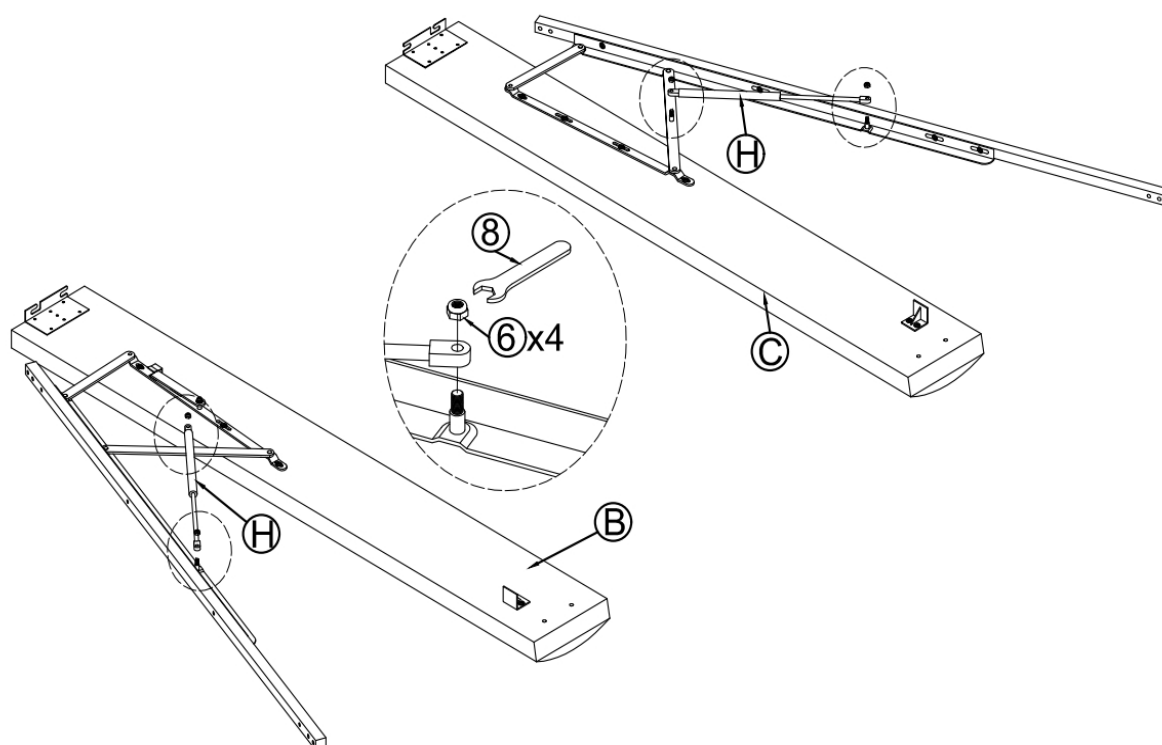
Do not tighten the screws at this step. Wait until step 7 is completed and locked, then tighten the screws simultaneously

## Step 5

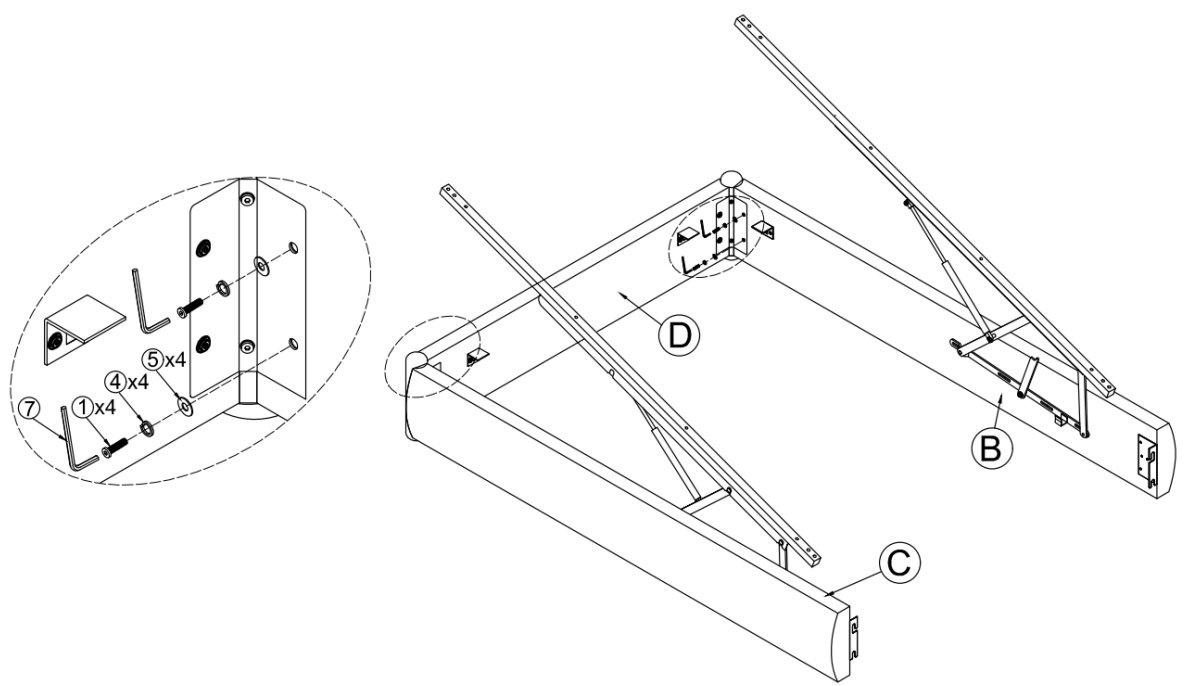


Do not tighten the screws at this step. Wait until step 7 is completed and locked, then tighten the screws simultaneously

## Step 6

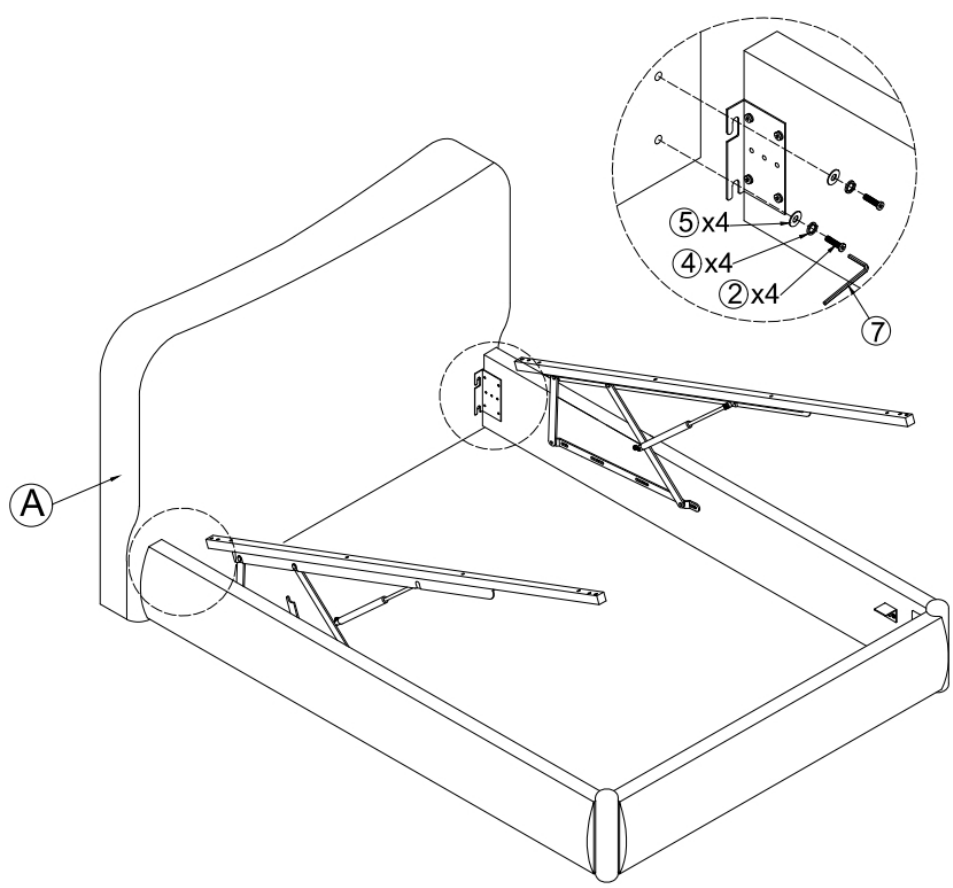


# Step 7

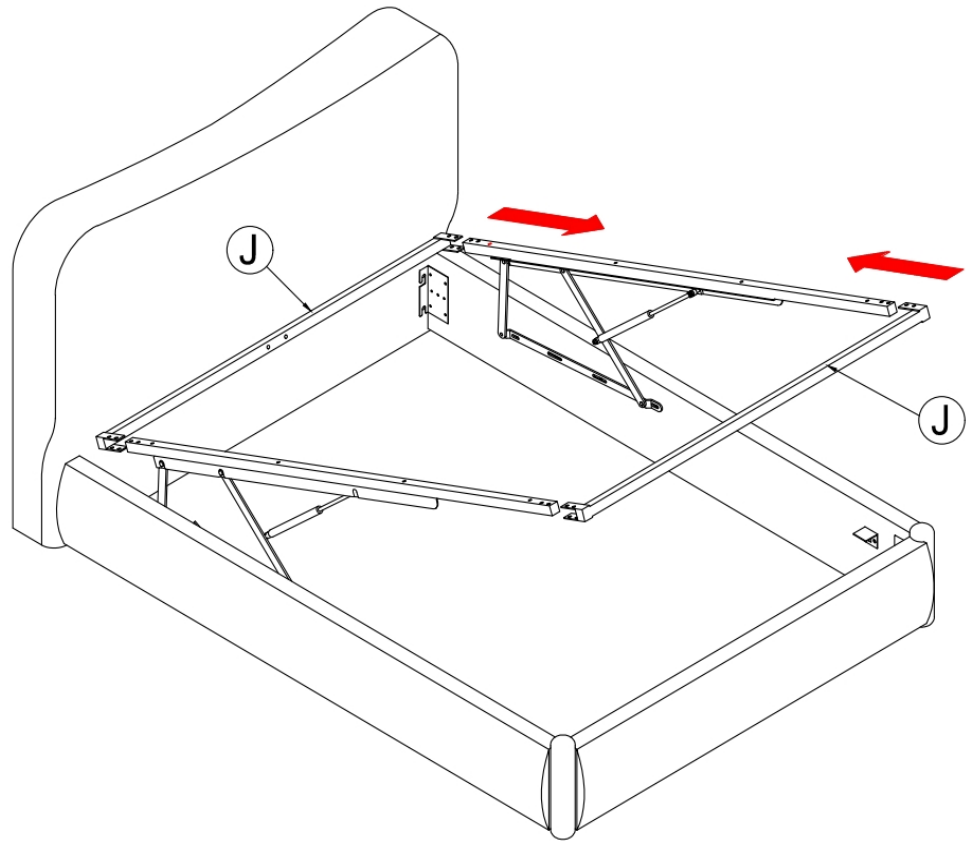


Tighten all screws, including those from step 4 and 5

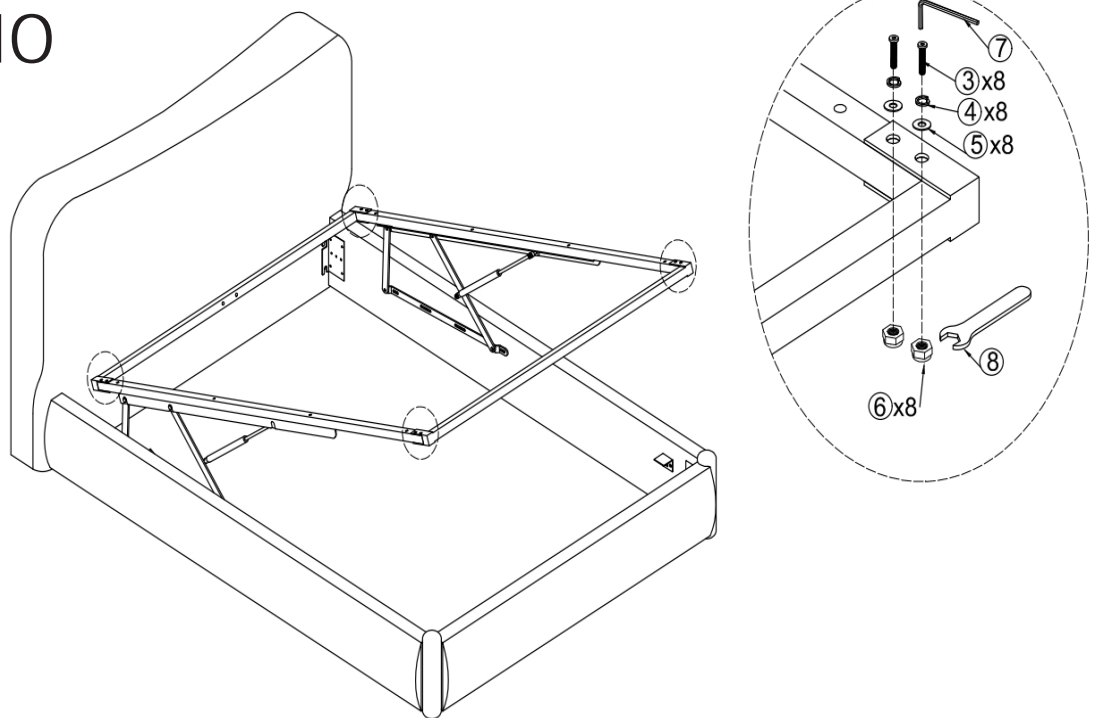
# Step 8



## Step 9

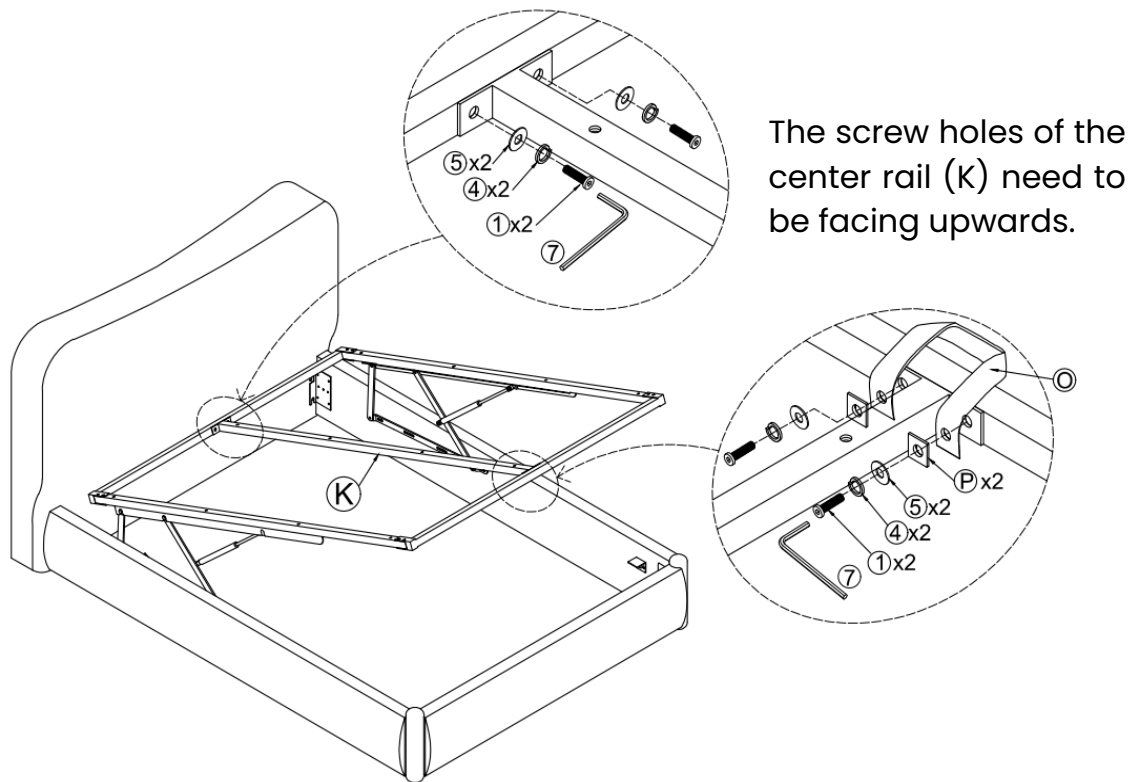


## Step 10



Do not tighten the screws at this step. Wait until step 11 is completed and locked, then tighten the screws simultaneously

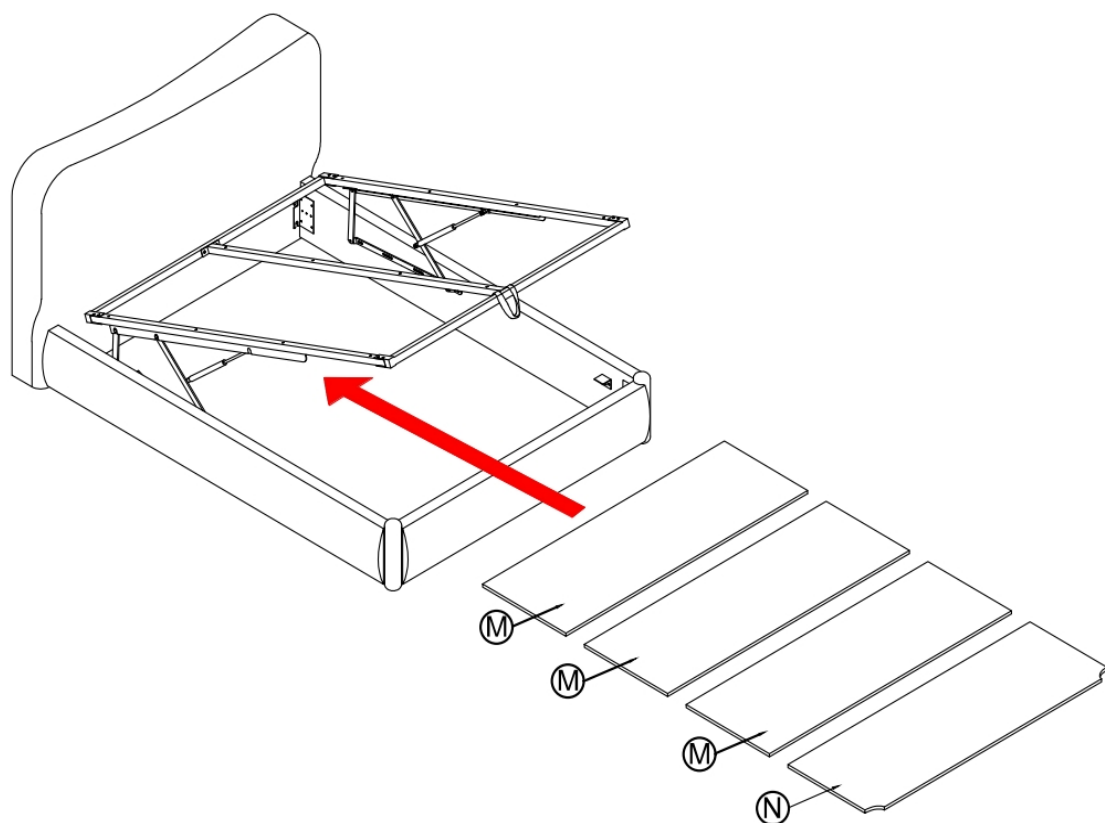
# Step 11



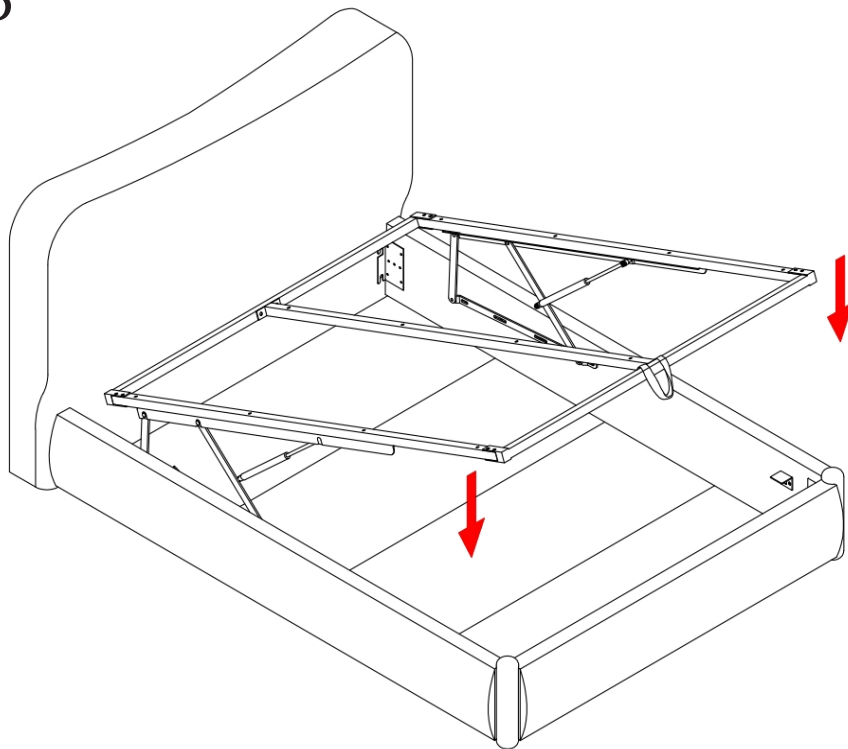
The screw holes of the center rail (K) need to be facing upwards.

Tighten all screws, , including those from step 10

# Step 12

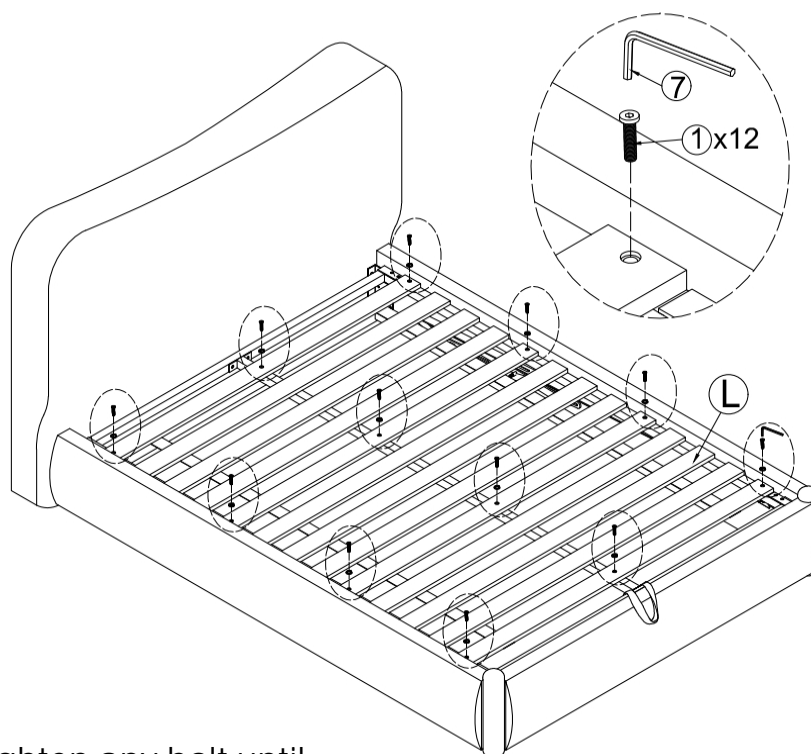


## Step 13

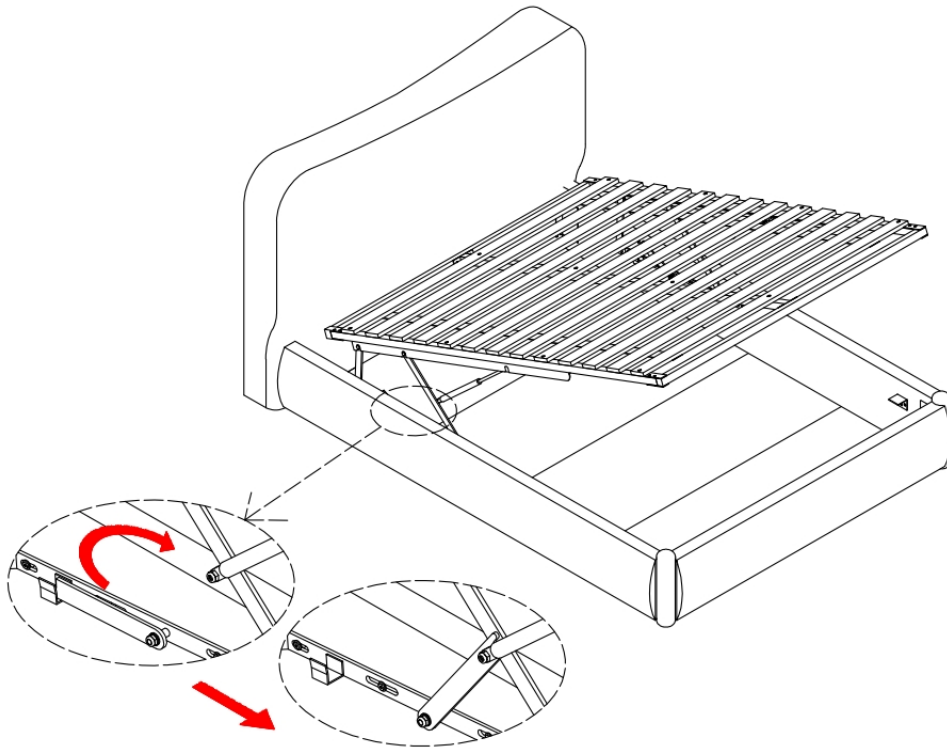


Pressing the gas strut when the mattress is not in position may be difficult.

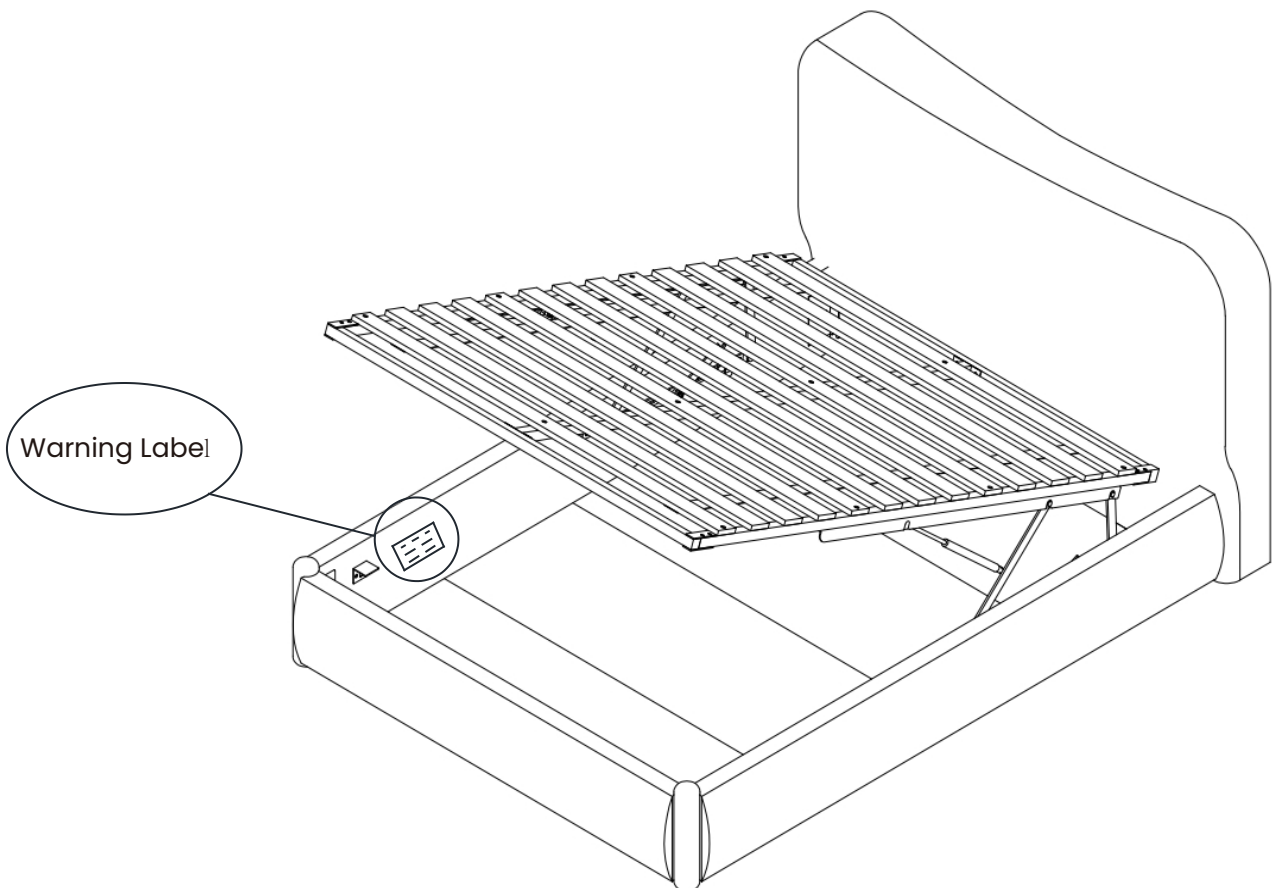
## Step 14

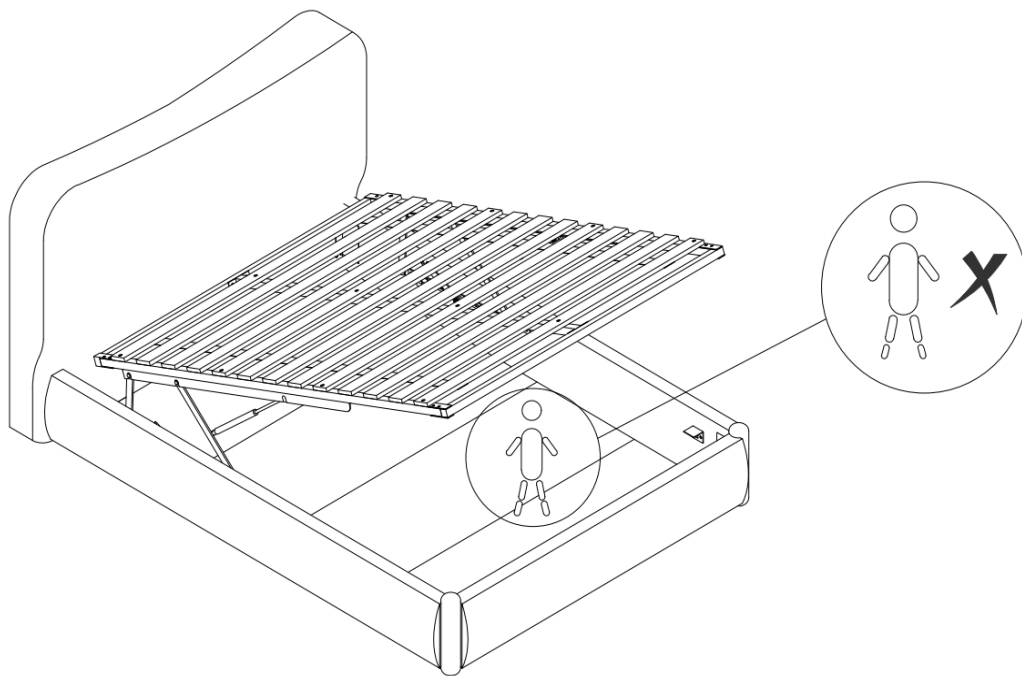


Do not tighten any bolt until all bolts are positioned.



**Warning:** After opening the frame slats, the safety latch needs to be opened. Before retracting the frame slats, please ensure the safety latch is retracted first, and then press down on the frame slats.





**WARNING:**

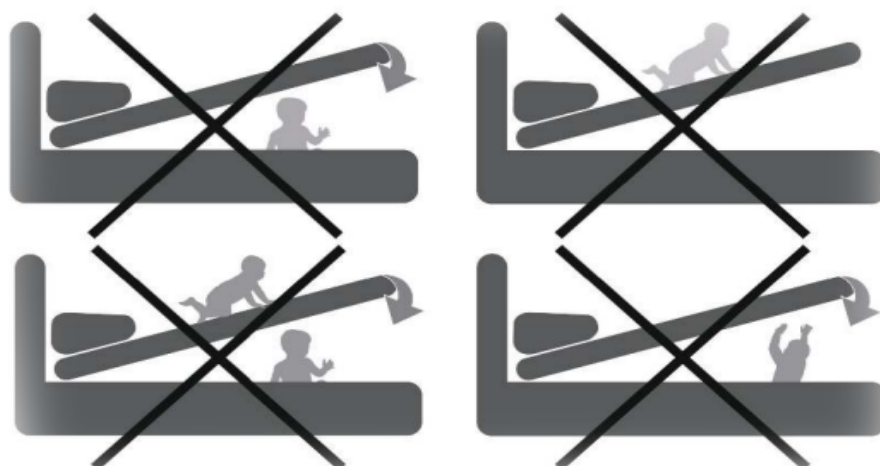
**Never allow children near the bed when opening & closing it to prevent accidents.**

Specifically. Do NOT allow children to:

- Sit inside of the storage bed while it is open.
- Hang from the strap that is used to open the bed.
- Climb on top of the mattress while the storage bed is open.

**Failure to heed this warning could result in a serious injury, suffocation, and even death**

- Always be careful not to place hands near or under the hinges when opening & closing the bed. Failure to heed this warning could result in serious injury to fingers & hands.
- Do not stand, jump or sit on the slats. Failure to heed this warning could result in serious injury.
- Do not open the storage bed when there is no mattress on top of it.
- Never move the bed frame while the storage portion is open.
- Do not use the product if it is damaged or showing signs of malfunction.



**IMPORTANT SAFEGUARDS**  
**THE BASIC SAFETY PRECAUTIONS LISTED**  
**ABOVE SHOULD BE FOLLOWED.**

# Finished!

---

**Congratulations, we're almost there!**  
**Please perform the following checks:**

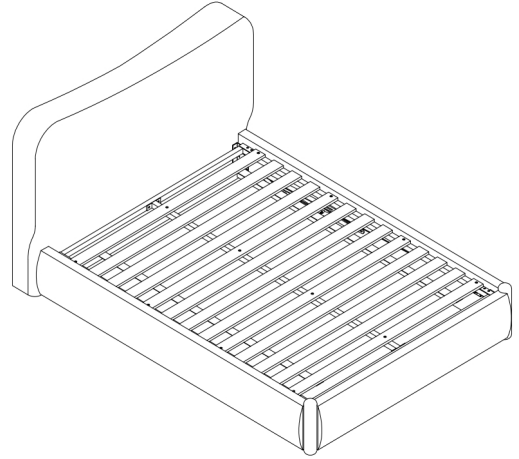
1. Do not miss any components.
2. Ensure all bolts are tightened.

**Always lift your Castlery product when moving it to your preferred location. Levelers (if any) may slant if you drag your product.**

**Finally, dust the product with a clean cloth (if needed).**

**You're all set! Enjoy your new living space, thanks to the addition of your Castlery product.**

Note: Your actual product may have minor size differences due to manual measurements.



# Care

## Instructions

**Your furniture, if treated with respect and love, will last you a long time. Each piece requires light maintenance to maximize its longevity.**

### **Upholstered Bed Care**

- Always move the bed by lifting it at the base, do not drag.
- Avoid prolonged exposure to direct sunlight and keep furniture away from any heating source to prevent fading or discoloration.
- Using a brush attachment, vacuum fabric regularly to remove any dust particles.
- Blot spills immediately and gently with a clean microfiber cloth. Do not rub.
- Professional cleaning is advised for tough stains.
- Avoid abrasive cleaners and placing rough or sharp objects on the surface.

**Follow the care instructions and look after your furniture. In return, your furniture will look after you. For more information on our care instructions, visit our product website at [www.castlery.com](http://www.castlery.com).**

**We hope to see you soon!**