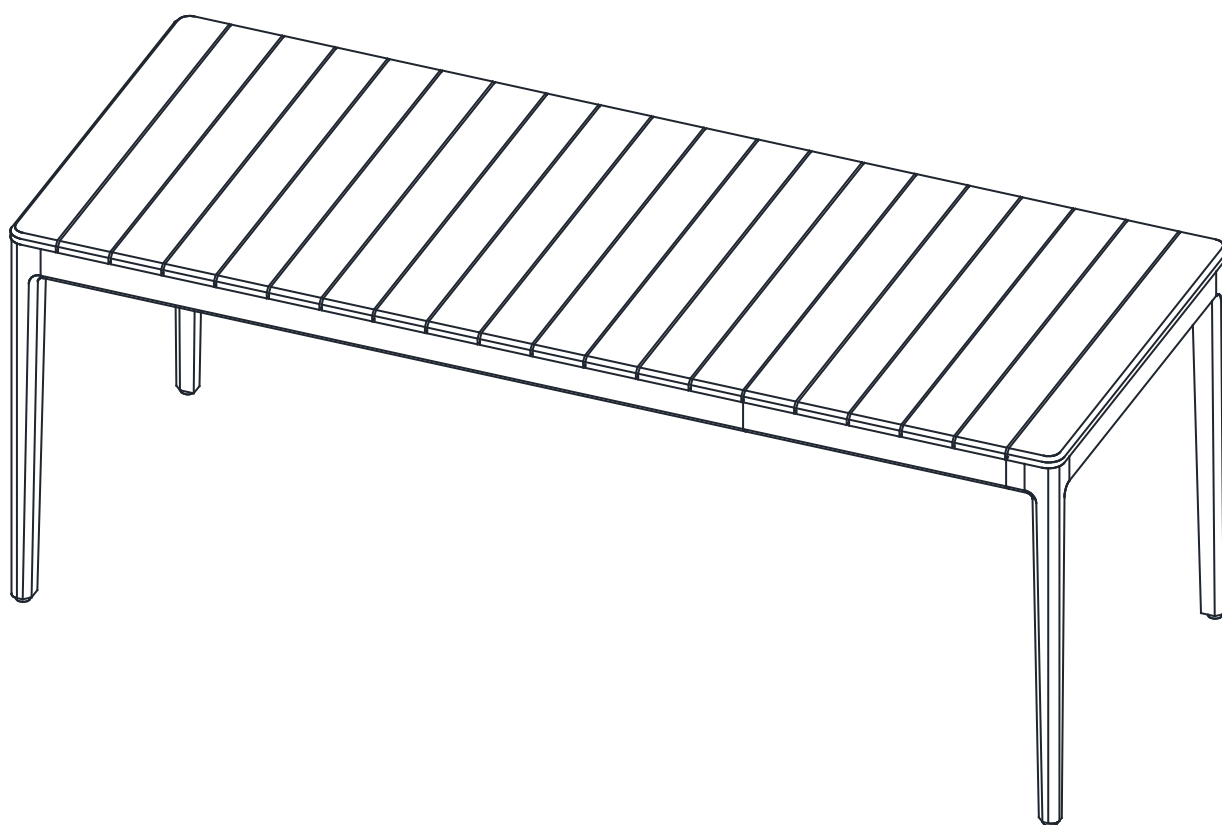


# ISLA

## OUTDOOR EXTENDABLE

## DINING TABLE



# Hello there.

We're so glad that our Castlery product has found a home with you. As proud makers of modern, quality furniture, we're confident that you will love and enjoy your purchase.

Setting it up is easy. Read on for a step-by-step guide to have your item assembled and ready for use.

Once you're done, consider sharing a photo on social media or leaving us a review. We'd love to see how you've styled it in your space.

**Thank you for being part of the Castlery community!**

---

## Contact us.

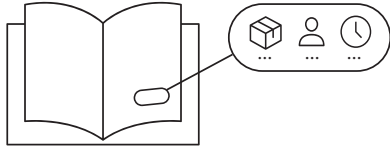
For any enquiries or issues regarding your purchase, you can contact us via [www.castlery.com/contact-us](https://www.castlery.com/contact-us).



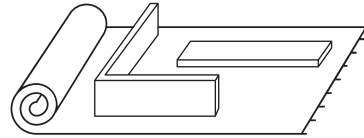
[www.castlery.com](https://www.castlery.com)



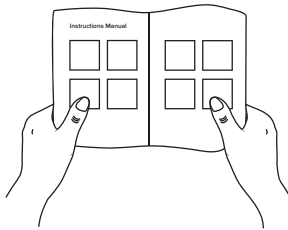
## Before you start...



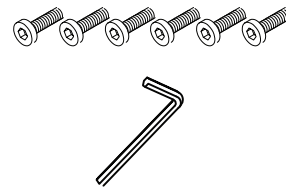
Check that you have received all cartons and familiarize yourself with the assembly requirements. This includes setting aside the allocated time required and having someone to assist you, if needed.



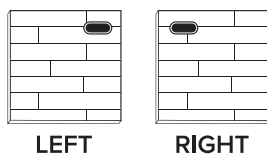
Ensure enough space for assembly. We recommend protecting your floor with a mat or cardboard to avoid scratches during the assembly process.



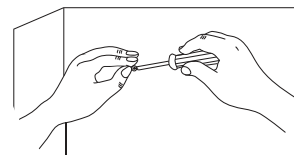
Read instructions carefully, and check that no parts are missing.



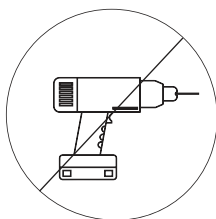
Lay out all hardware on a soft surface so you can easily identify them.



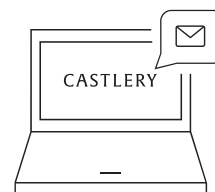
Carefully identify all components to differentiate which pieces are left and right.



Carefully install your new product following the instructions stated. Don't skip ahead!



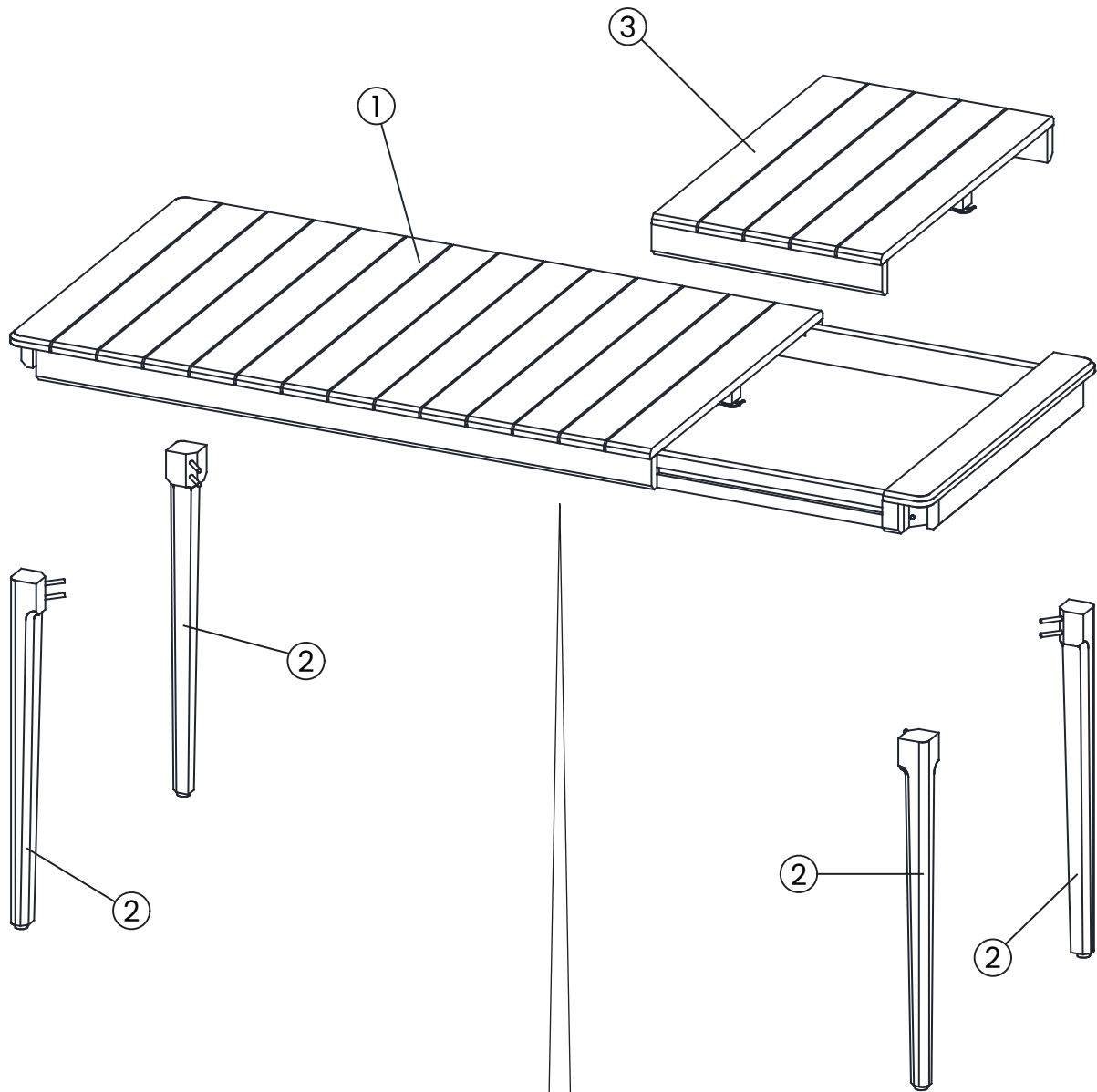
**DO NOT** over-tighten screws or use a drill. This will damage the product.




If you need further assistance, please contact us via [www.castlery.com/contact-us](http://www.castlery.com/contact-us).

# Overview

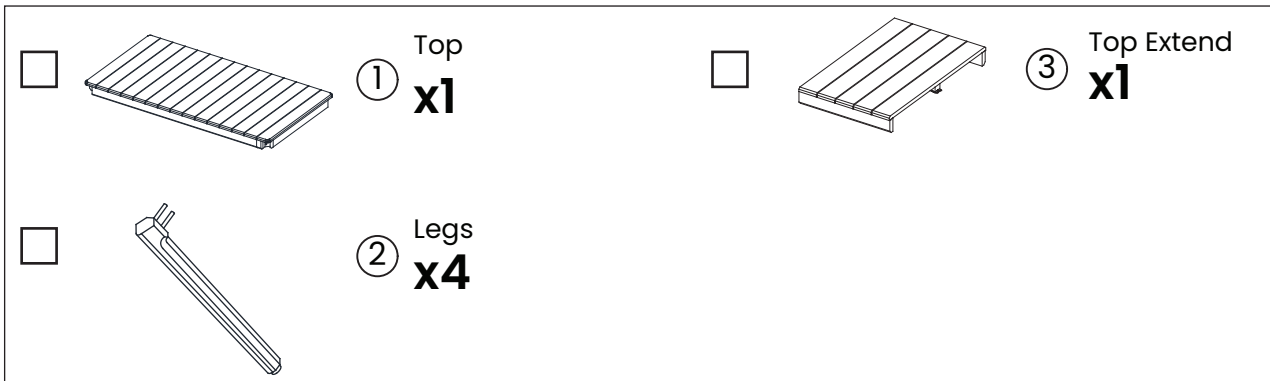
---



 Batch code label is located at the bottom side the top table.

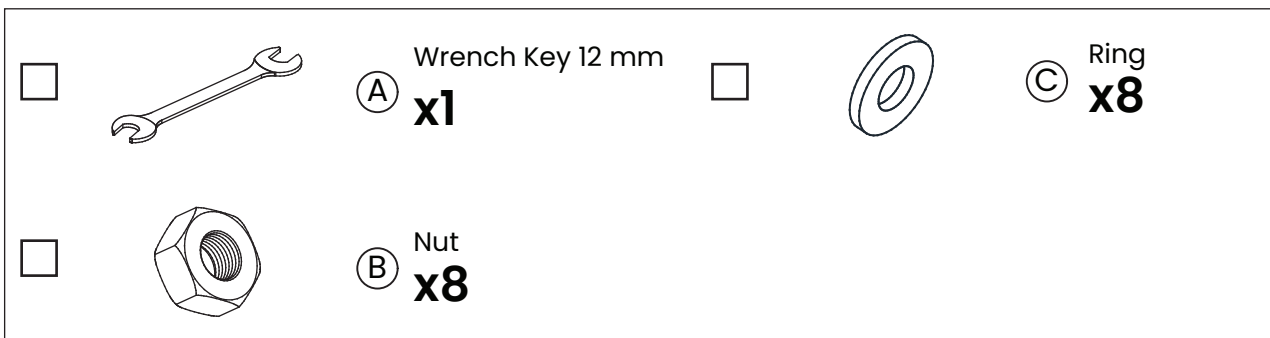
# Parts

Box 1 of 1







# Hardware

Box 1 of 1

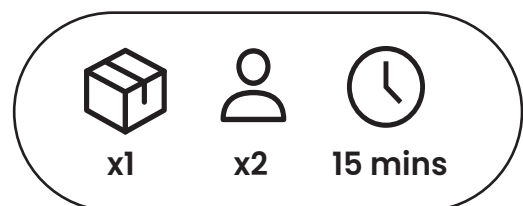


*\*You might need a screwdriver (+/-) to complete this assembly.*

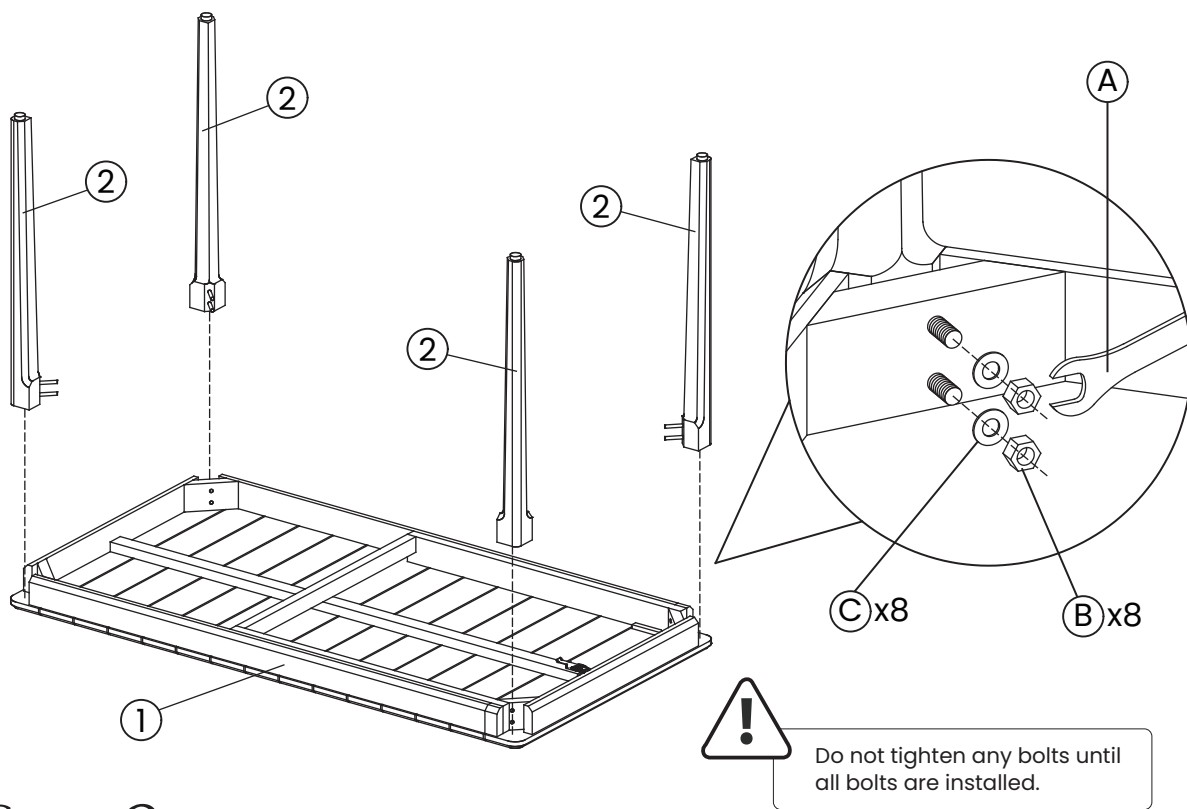
-  There are inner box(es) that include components required to complete this assembly.
-  Please do not completely tighten all the hardware, until each assembly step is complete.
-  Before discarding the packaging, please use the checklist to ensure that you have all the parts required to assemble your product. Please kindly note you will need the original package if you want to return the product later.
-  If parts are missing or damaged, we will gladly ship your replacements parts free of charge. Please contact us via [www.castlery.com/contact-us](http://www.castlery.com/contact-us).

**IMPORTANT: 2 persons needed for assembly.**  
This will help to minimize potential damage to the product or injury to persons during assembly.

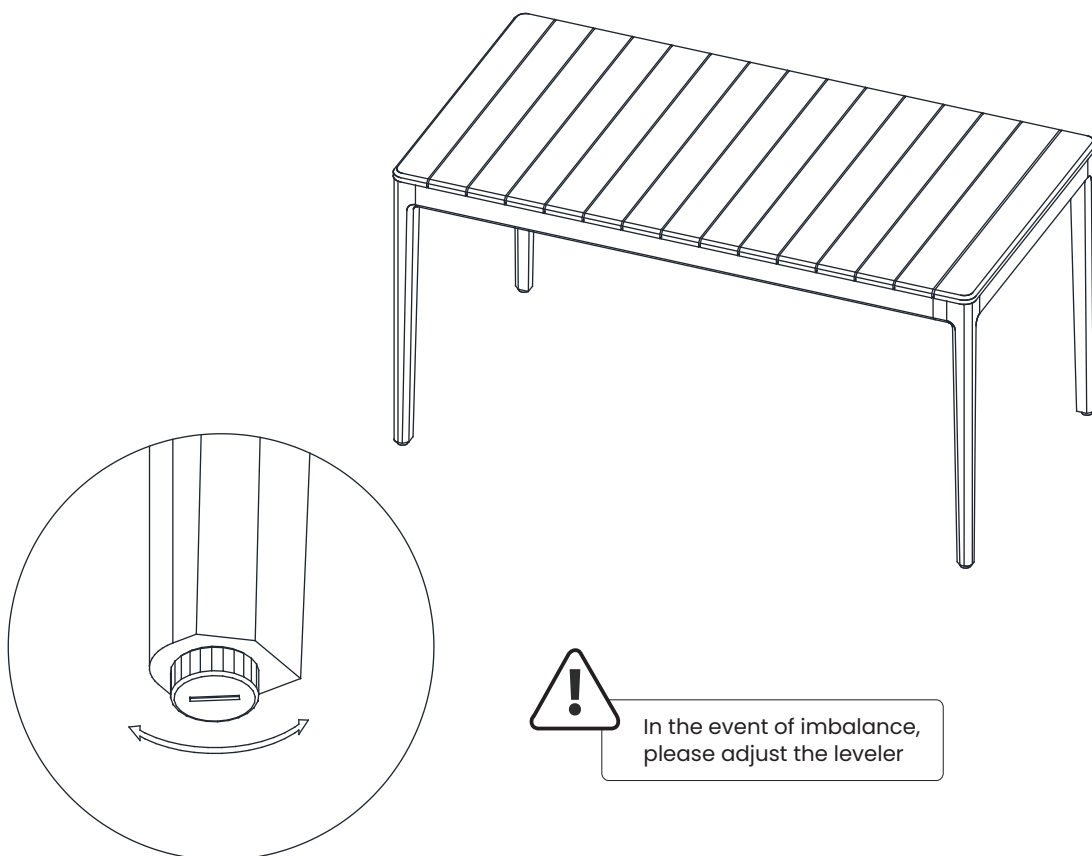
Illustrations in this guide are for reference only and may be slightly different from the actual object.



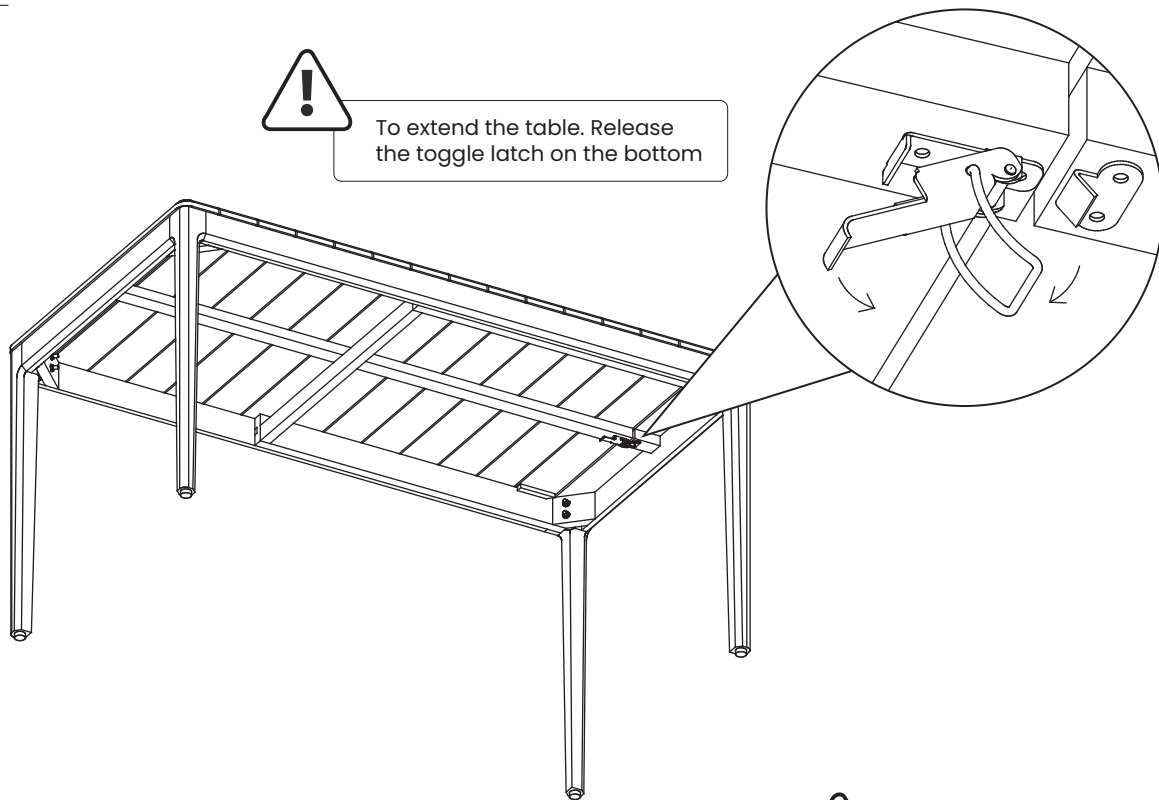
# Step 1



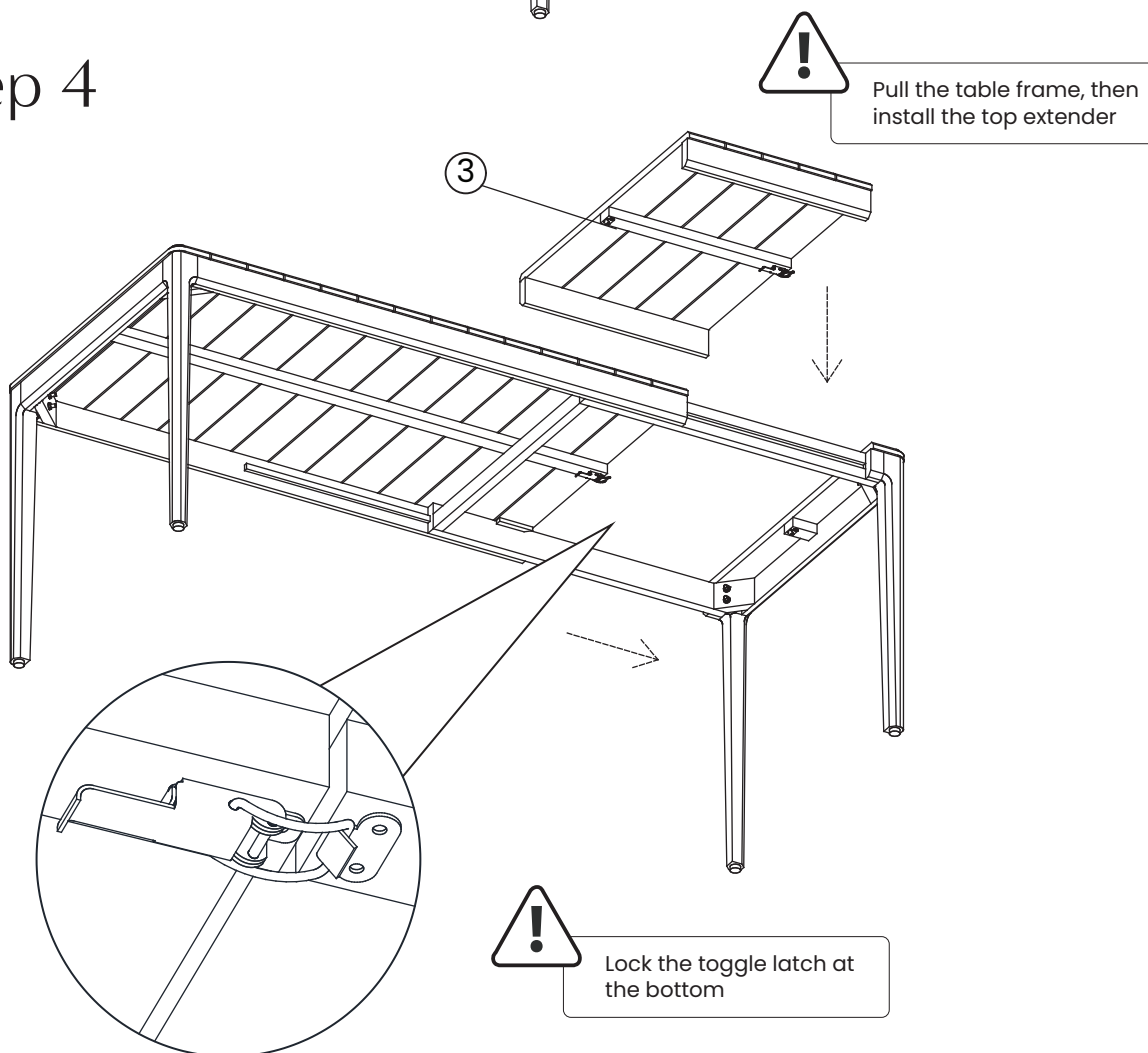
# Step 2



# Step 3



# Step 4



# Finished!

---

**Congratulations, we're almost there!**  
**Please perform the following checks:**

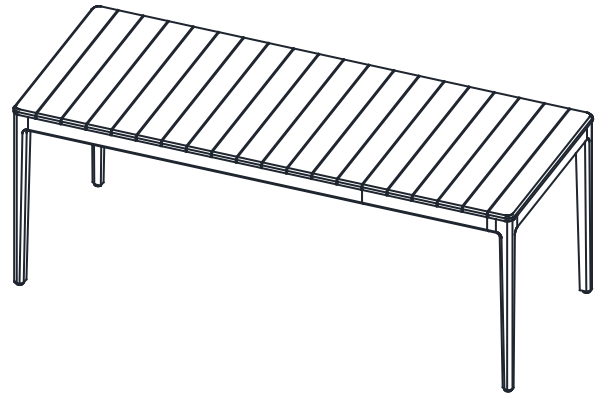
1. Have you tightened all the screws?
2. Are levelers in line with and touching the ground?

**Always lift your Castlery product when moving it to your preferred location. Levelers (if any) may slant if you drag your product.**

**Finally, clean the product with a damp cloth.**

**You're all set! Enjoy your new living space, thanks to the addition of your Castlery product.**

Note: Your actual product may have minor size differences due to manual measurements.



# Care

## Instructions

**Your furniture, if treated with respect and love, will last you a long time. Each piece requires light maintenance to maximise its longevity.**

### **Do's :**

1. Screws and bolts may loosen over time. Please check them regularly to tighten it when necessary.
2. Clean the teak wood regularly with a dry, soft cloth.
3. Use a wet cloth with mild soap and water solution to wipe the furniture when needed. Rinse with water and leave it to dry.
4. Blot spills immediately with a clean, absorbent cloth. Use coasters or placemats where possible to prevent discolouration of the surface, and do not leave glassware on the table under direct sunlight.
5. To extend lifespan of your furniture, keep them free of dirt and foliage. We suggest storing it inside or under a covered area in case of bad weather, extreme heat or when not in use.
6. As with all Castlery outdoor furniture, we recommend using our custom furniture covers when items are not in use; furniture should be clean and completely dry before putting on the outdoor covers.
7. Store the furniture in a dry, protected area during harsh weather or when not in use to prolong the lifespan of the product.
8. To maintain the glamour and original colour of the teak wood for a longer period, we recommend to lightly sandpaper the surface and apply Golden Care® Teak Protector every 6 to 12 months if the item is in full sun, or every 2 to 3 years if it is under cover (depends on exposure and use). Application is very easy and can be done with a microfibre cloth or a brand-new dish sponge. Make sure teak is completely dry and free of dust prior to application.
9. In addition to the Golden Care® Teak Protector, we suggest using Golden Care® Teak & Hardwood Shield for added protection against moisture, mould, mildew and food/ drinks stains. Treatment can be done twice a year depending on exposure and use. Tabletops should be treated more frequently.

### **Don'ts :**

1. Do not use silicone-based polishes.
2. Do not use abrasive cleaners that may damage the finishes and treatment.
3. Avoid letting water stand on the surface of the teak wood.
4. Avoid using high pressure cleaners.
5. Avoid moving the furniture in between extreme conditions of temperature and humidity, such as from outdoor under the sun to indoor air-conditioned room, since wood will crack naturally when adapting to these environmental changes.

# Care

## Instructions

### **Natural Characteristics of Teak :**

1. Tiny fissures or cracks may develop if there are changes in humidity and temperature. This is unavoidable and occurs naturally in solid wood furniture.
2. Natural wood knots, imperfections as well as wood grain and colour variations are to be expected for natural teak wood.
3. Teak will naturally turn to silver grey patina colour if left untreated and left outdoors. To extend the lifetime appearance of the original teak colour, cover the furniture when it is completely dry, or store indoors in a dry and non-heated area during winter and inclement weather.
4. It is normal for solid teak wood to expand and contract with time and changes in weather (temperature and humidity).
5. Teak produces natural oils, hence it can cause a stain on the light coloured fabric cover after prolonged contact.

**Follow the care instructions and look after your furniture. In return, your furniture will look after you.**