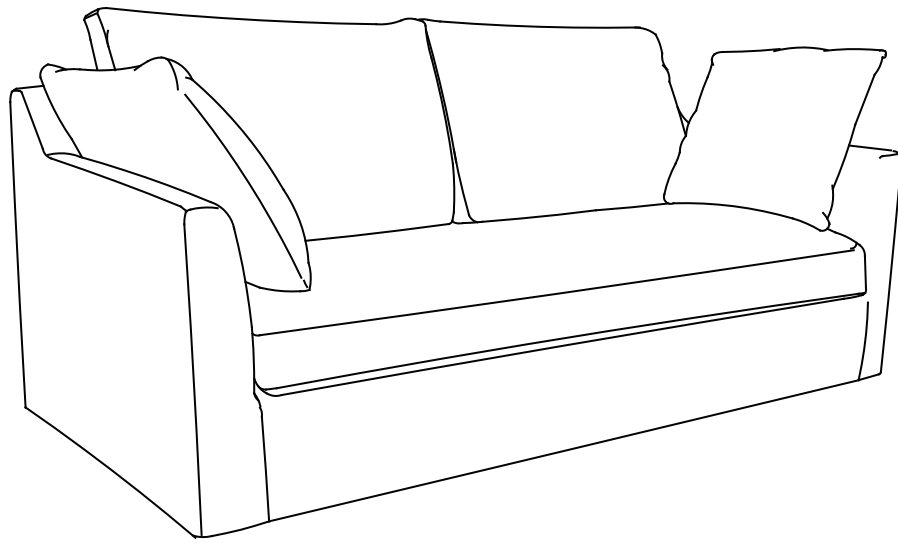


# AGNES 2 SEATER SOFA



# Hello there.

We're so glad that our Castlery product has found a home with you. As proud makers of modern, quality furniture, we're confident that you will love and enjoy your purchase.

Setting it up is easy. Read on for a step-by-step guide to have your item assembled and ready for use.

Once you're done, consider sharing a photo on social media or leaving us a review. We'd love to see how you've styled it in your space.

**Thank you for being part of the Castlery community!**

---

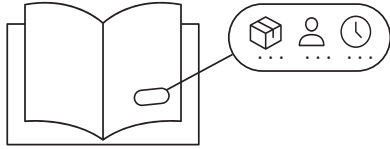
# Contact us.

Should you have any questions or concerns regarding your purchase, you can contact us via [www.castlery.com/contact-us](https://www.castlery.com/contact-us).

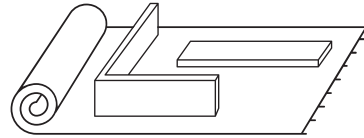


[www.castlery.com](https://www.castlery.com)

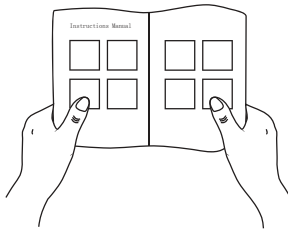
# ! Before you start...



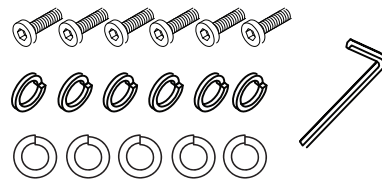
Check that you have received all cartons and familiarize yourself with the assembly requirements. This includes setting aside the allocated time required and having someone to assist you, if needed.



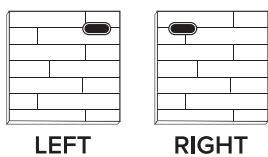
Ensure enough space for assembly. We recommend protecting your floor with a mat or cardboard to avoid scratches during the assembly process.



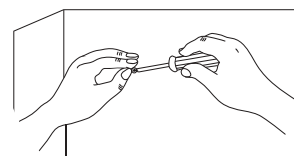
Read instructions carefully, and check that no parts are missing.



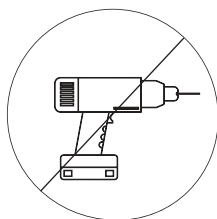
Lay out all hardware on a soft surface so you can easily identify them.



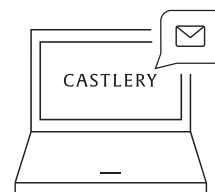
Carefully identify all components to differentiate which pieces are left and right.



Carefully install your new product following the instructions stated. Don't skip ahead!



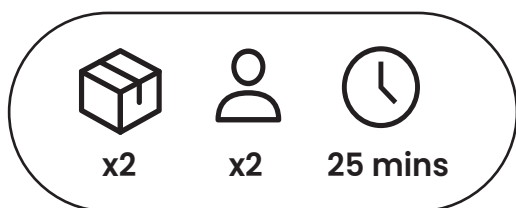
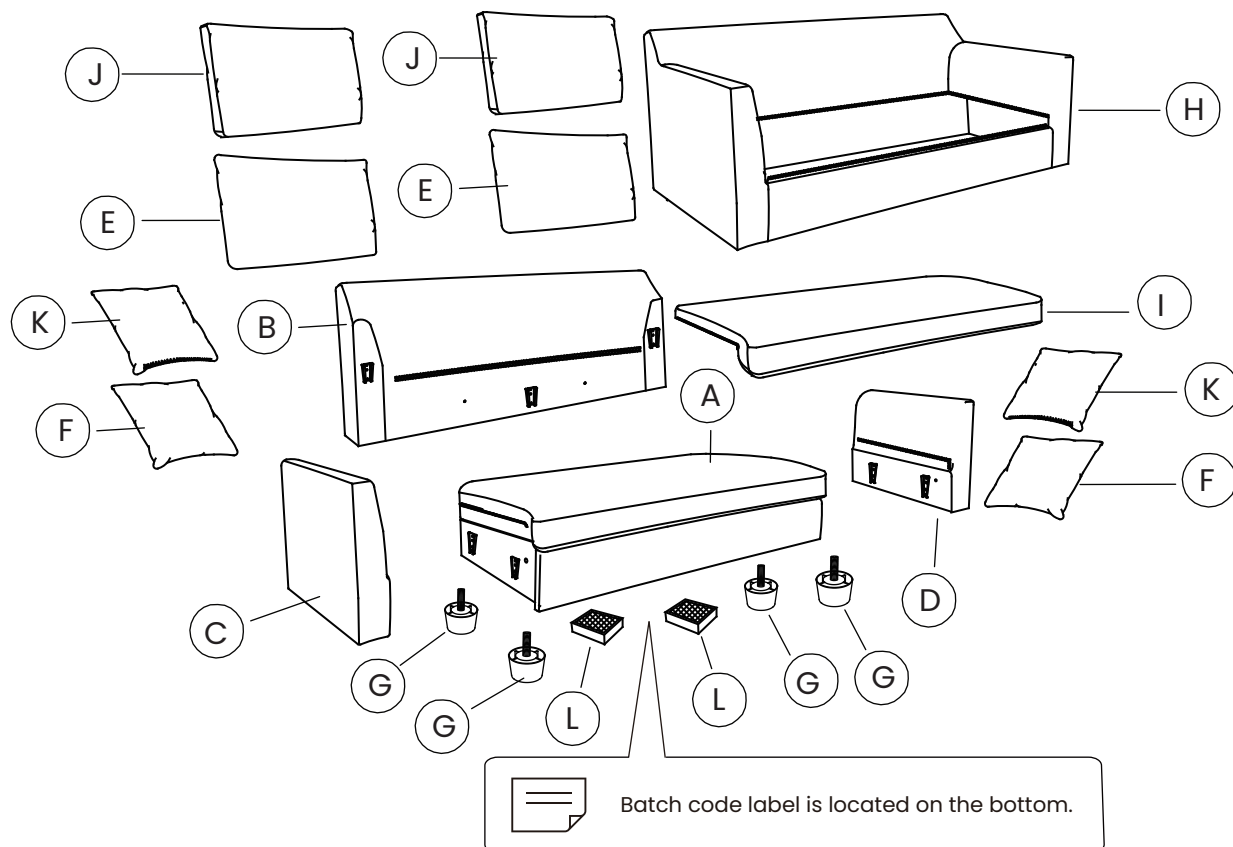
DO NOT over-tighten screws or use a drill. Only professional assemblers should use a drill.








If you need further assistance, please contact us via [www.castlery.com/contact-us](http://www.castlery.com/contact-us).

# Overview

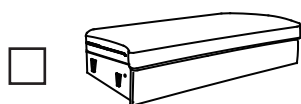
The hardware is in a red PE bag within Box 1



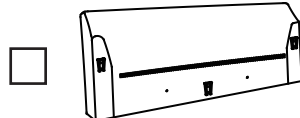
-  **IMPORTANT: 2 persons needed for assembly.**  
This will help to minimize potential damage to the product or injury to persons during assembly.
-  There are inner box(es) that include components required to complete this assembly.
-  Please do not completely tighten all the hardware, until each assembly step is complete.
-  Before discarding the packaging, please use the checklist to ensure that you have all the parts required to assemble your product. Please kindly note if applicable please keep the original package when you want to return the product later.
-  If parts are missing or damaged, we will gladly ship your replacements parts free of charge. Please contact us via [www.castlery.com/contact-us](http://www.castlery.com/contact-us). Illustrations in this guide are for reference only and may be slightly different from the actual object.

# Parts

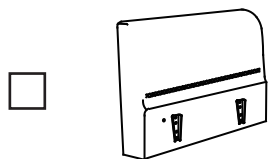
## BOX 1 OF 2



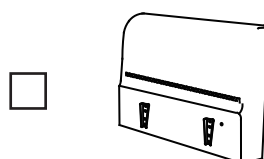
Ⓐ Seat Frame  
**x1**



Ⓑ Back Frame  
**x1**



Ⓒ Left Armrest  
**x1**



Ⓓ Right Armrest  
**x1**



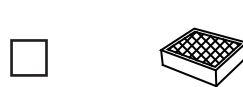
Ⓔ Inner Back Cushions  
**x2**



Ⓕ Inner Pillow Cushions  
**x2**

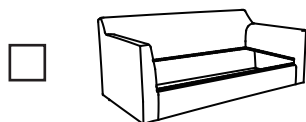


Ⓖ Legs  
**x4**



Ⓖ Wooden Legs  
**x2**

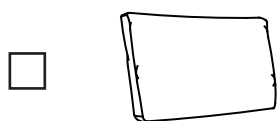
## BOX 2 OF 2



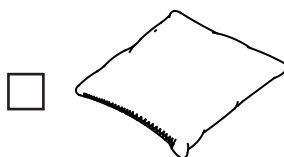
Ⓗ Sofa Body Cover  
**x1**



Ⓘ Seat Cushion Cover  
**x1**



Ⓙ Back Cushion Covers  
**x2**



Ⓚ Pillow Covers  
**x2**

# Hardware

BOX 1 OF 2



①

Bolts  
5/16"\*3"L  
**x4**



②

Spring Washer  
Ø13\*Ø8  
**x4**



③

Flat Washer  
Ø22\*Ø8  
**x4**



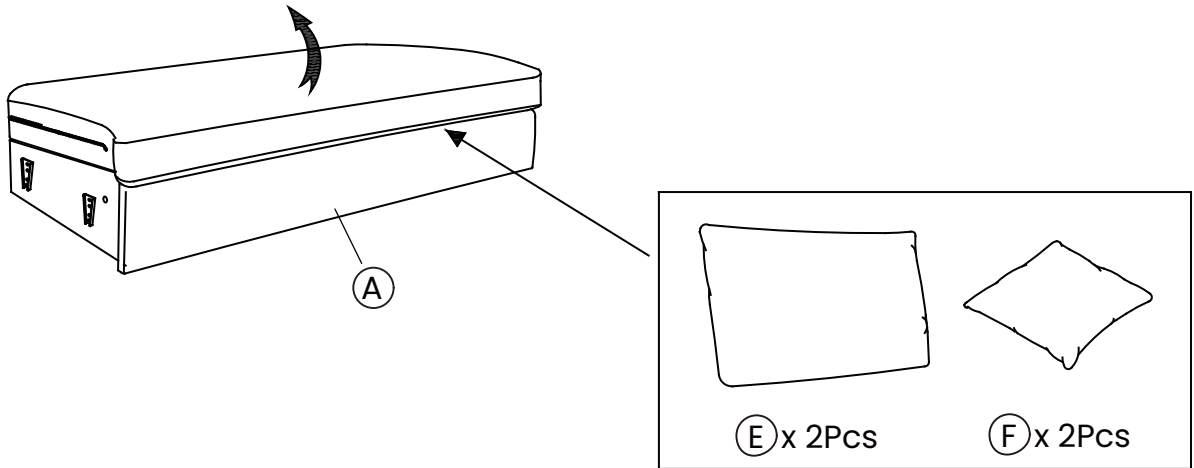
④

Allen Key M5  
**x1**

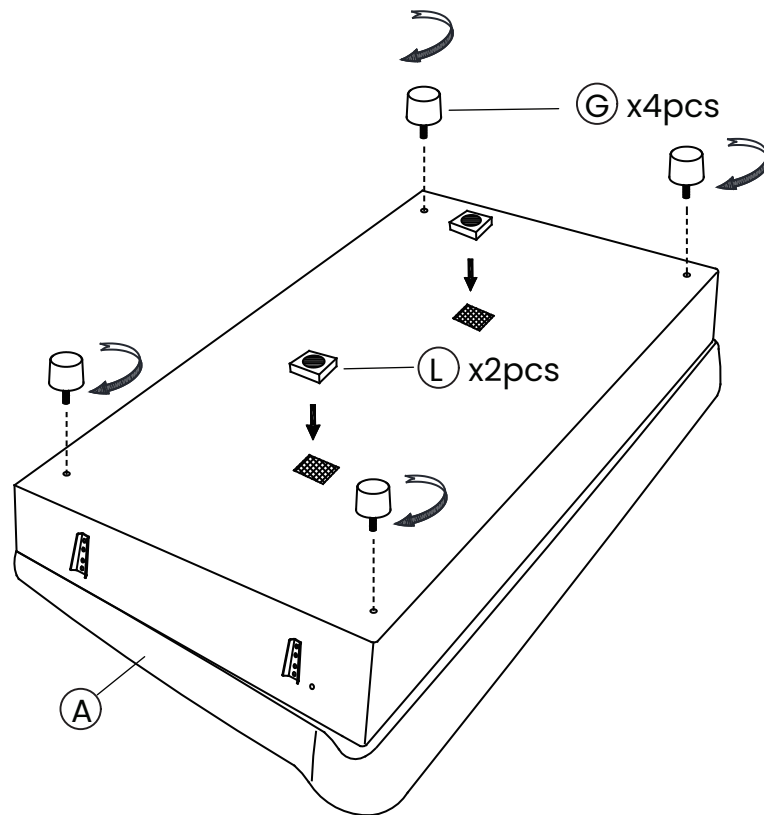
# Step 1



Lift up the seat to take out cushions.



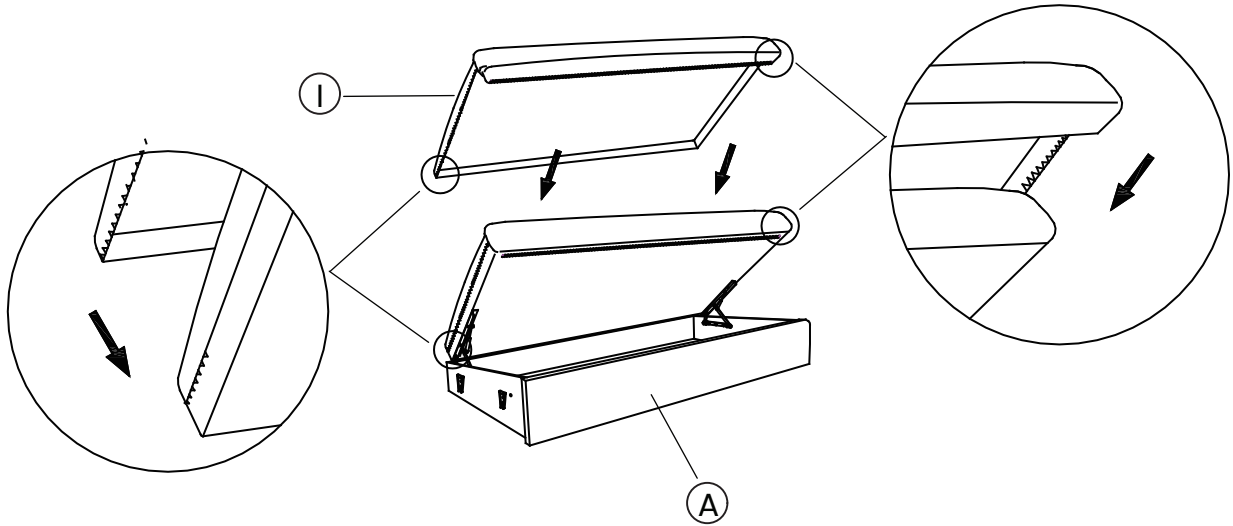
# Step 2



# Step 3



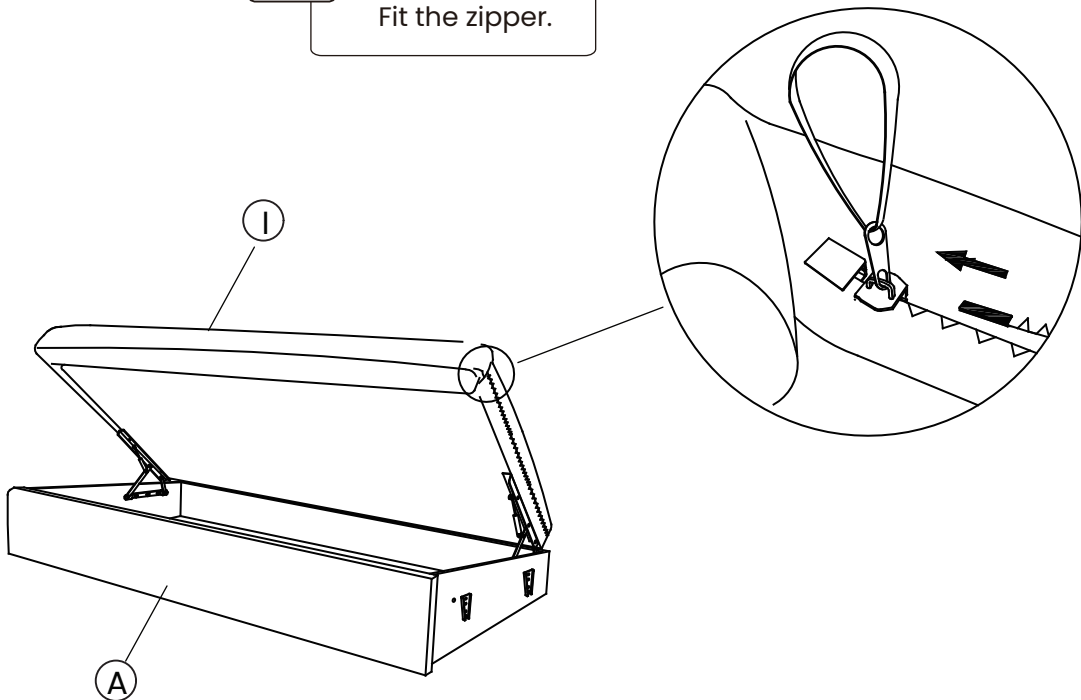
Put on the seat cushion cover.



# Step 4

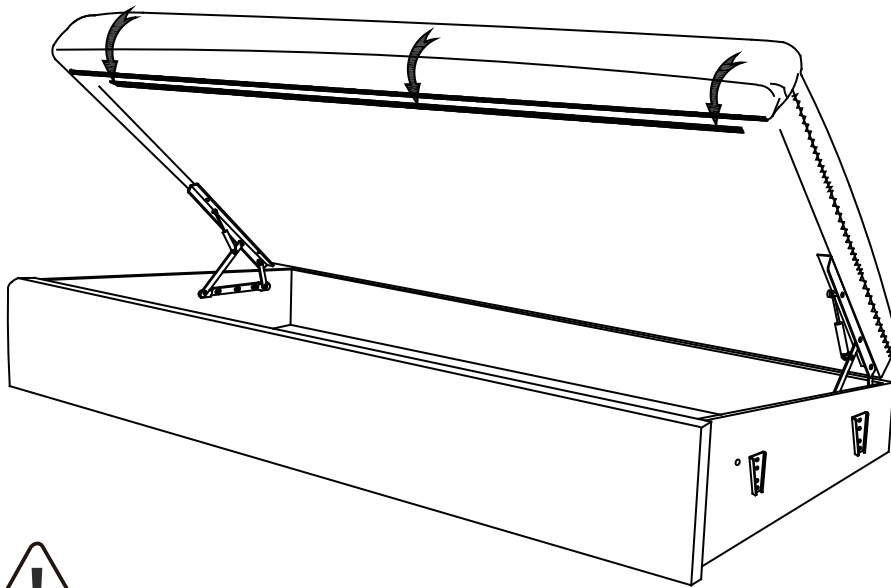


Fit the zipper.



## Step 5

---

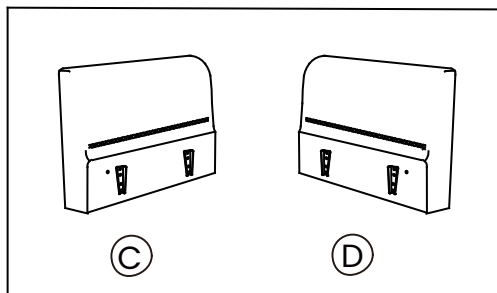


Stick the velcro.

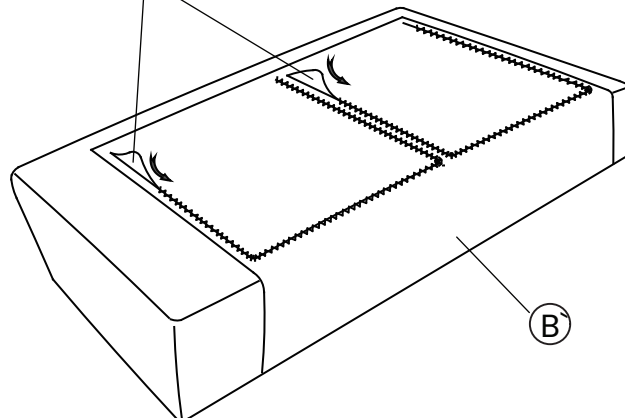
---

## Step 6

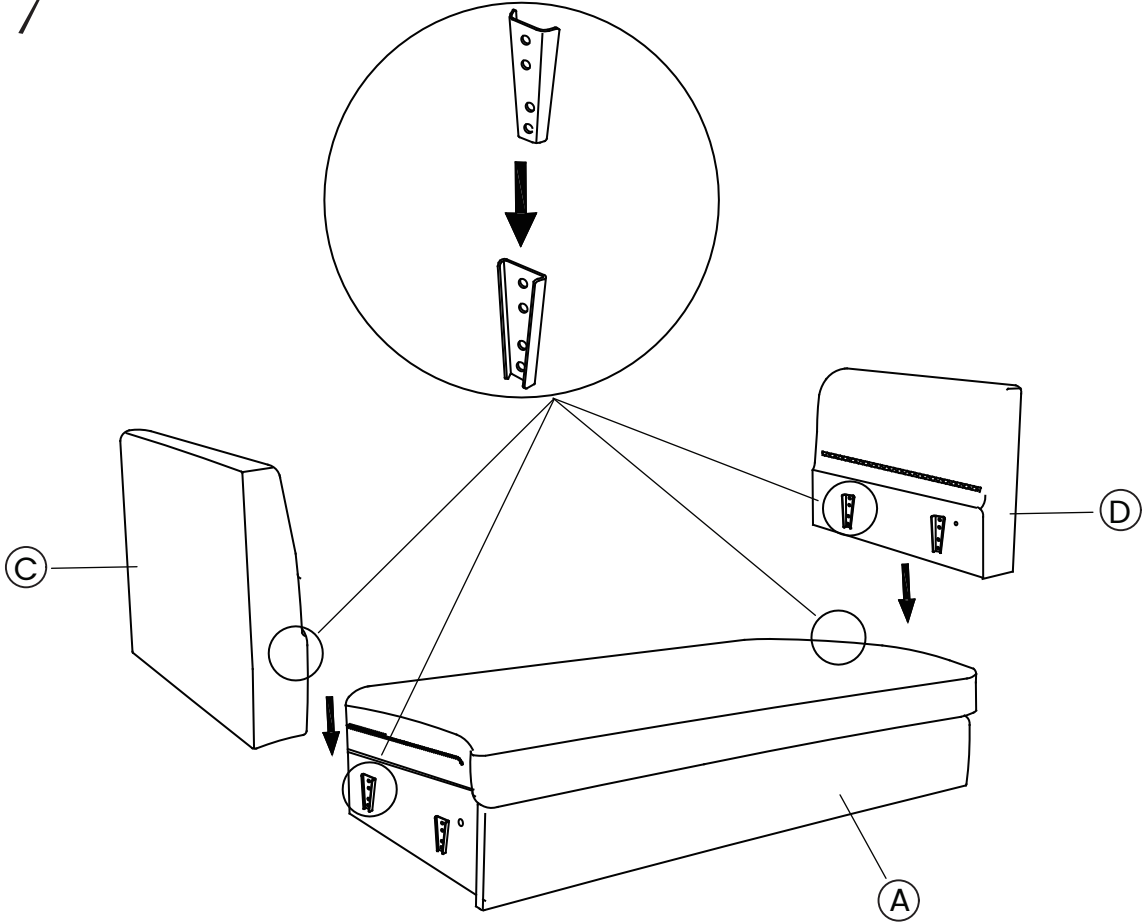
---



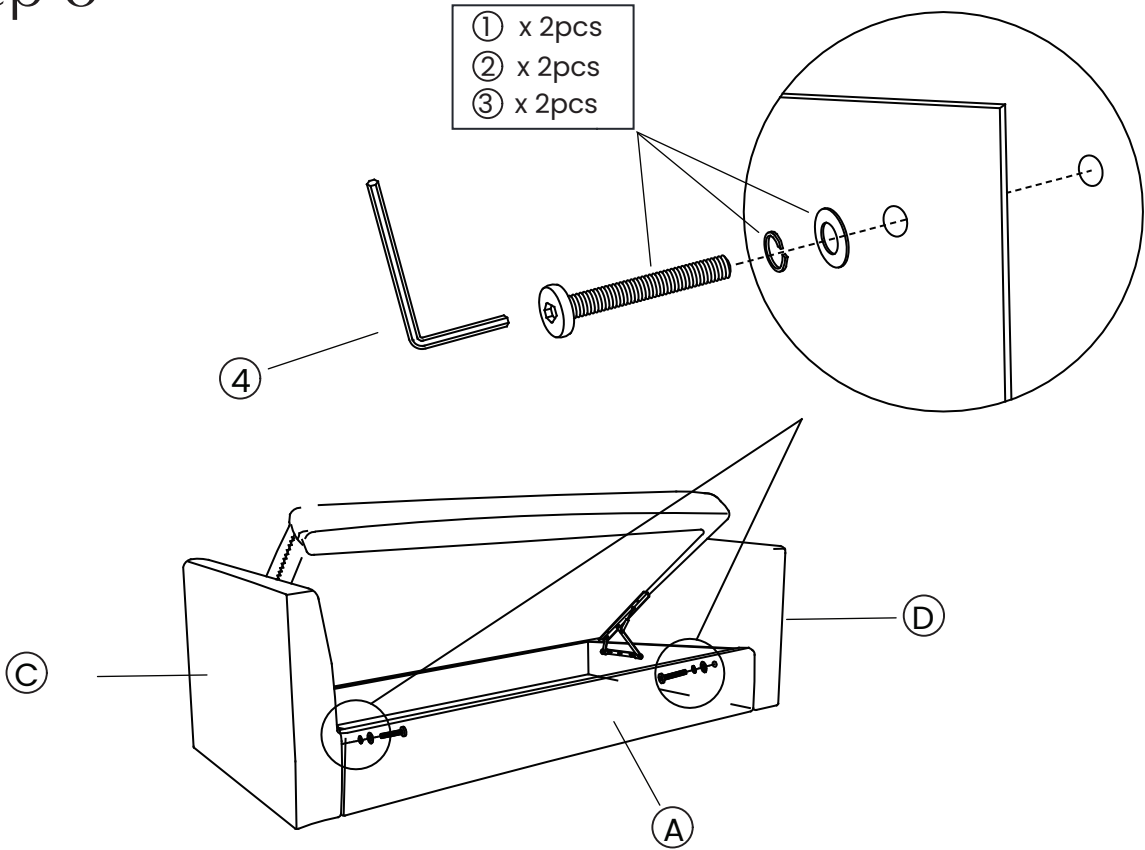
Open zipper from the back of backrest, and then take out armrests.



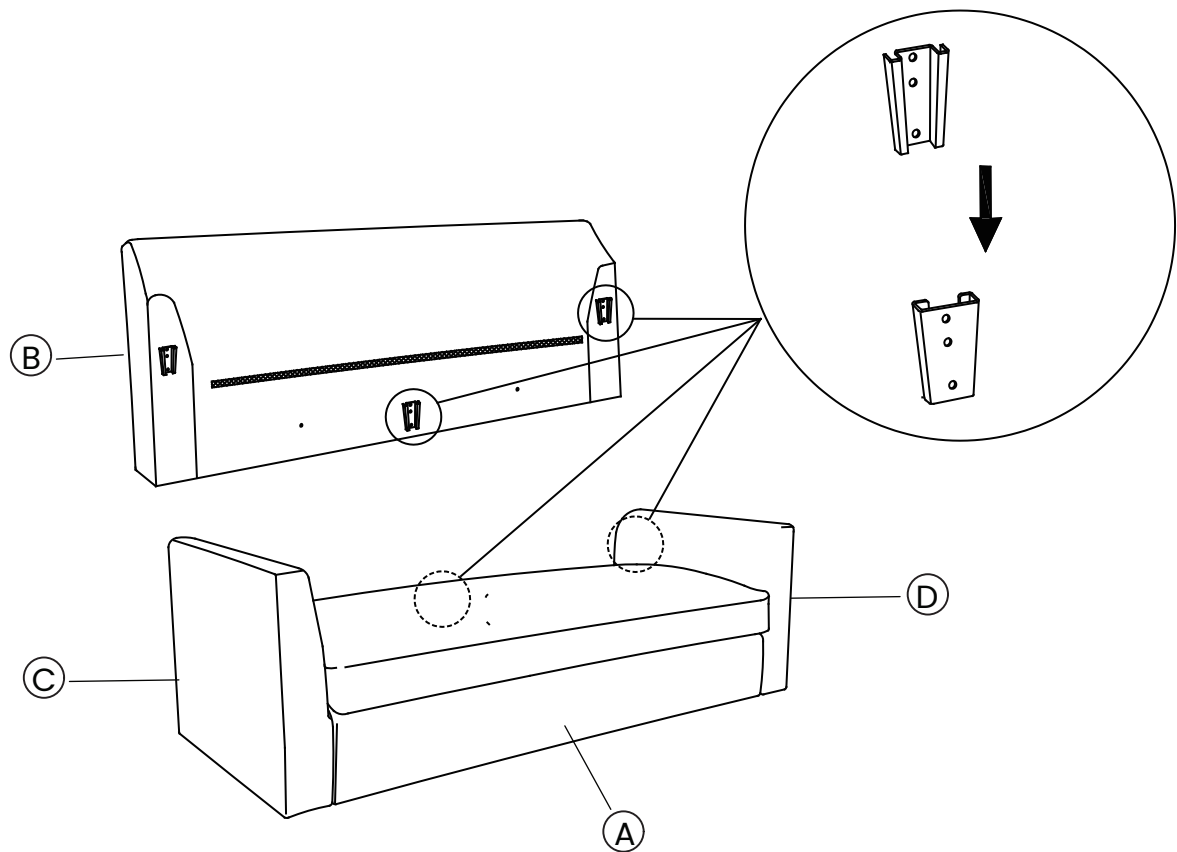
# Step 7



# Step 8



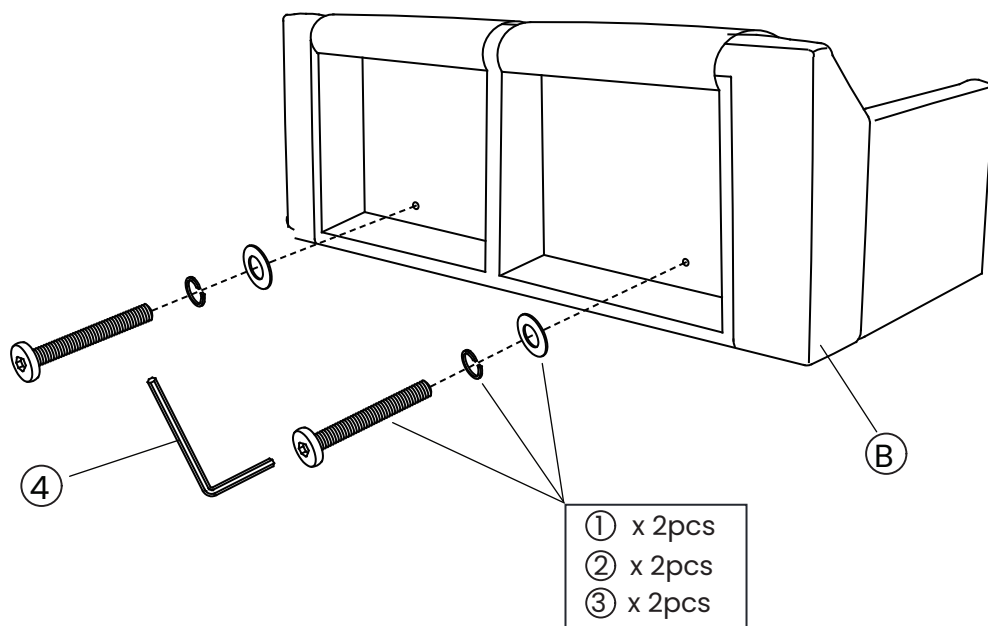
## Step 9



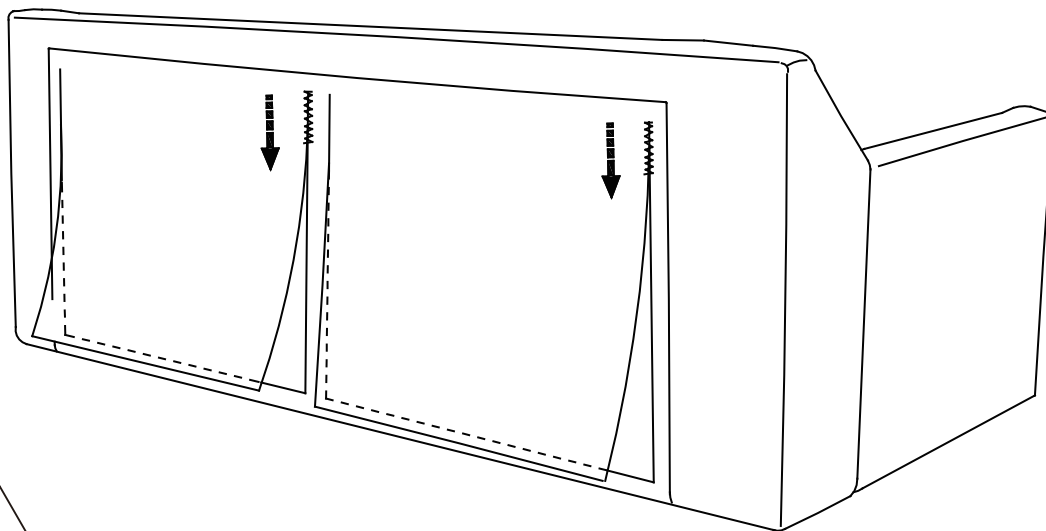
## Step 10



Assemble bolts from the back of backrest.

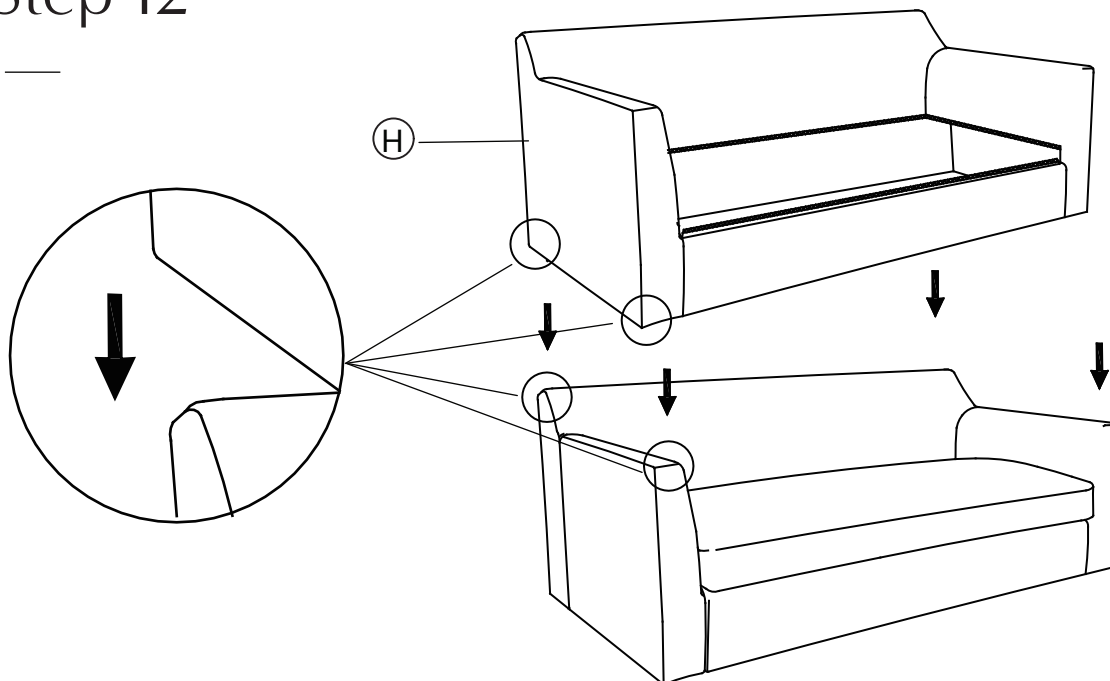


# Step 11



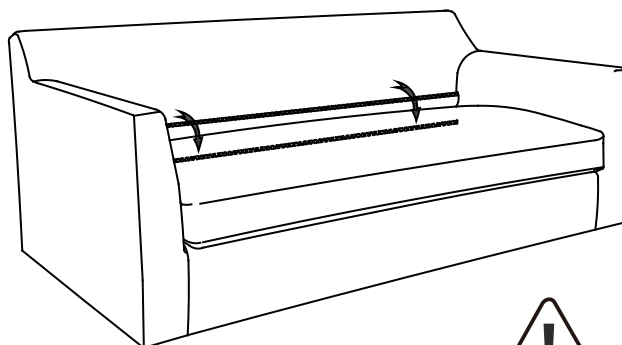
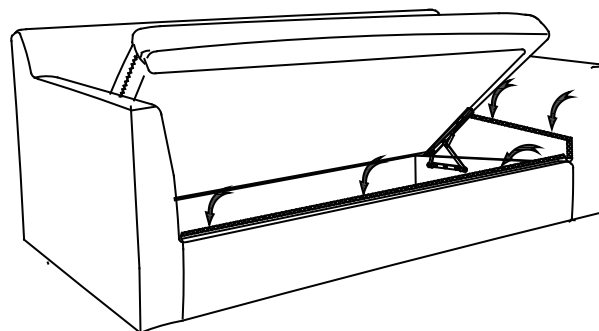
Close the zipper.

# Step 12



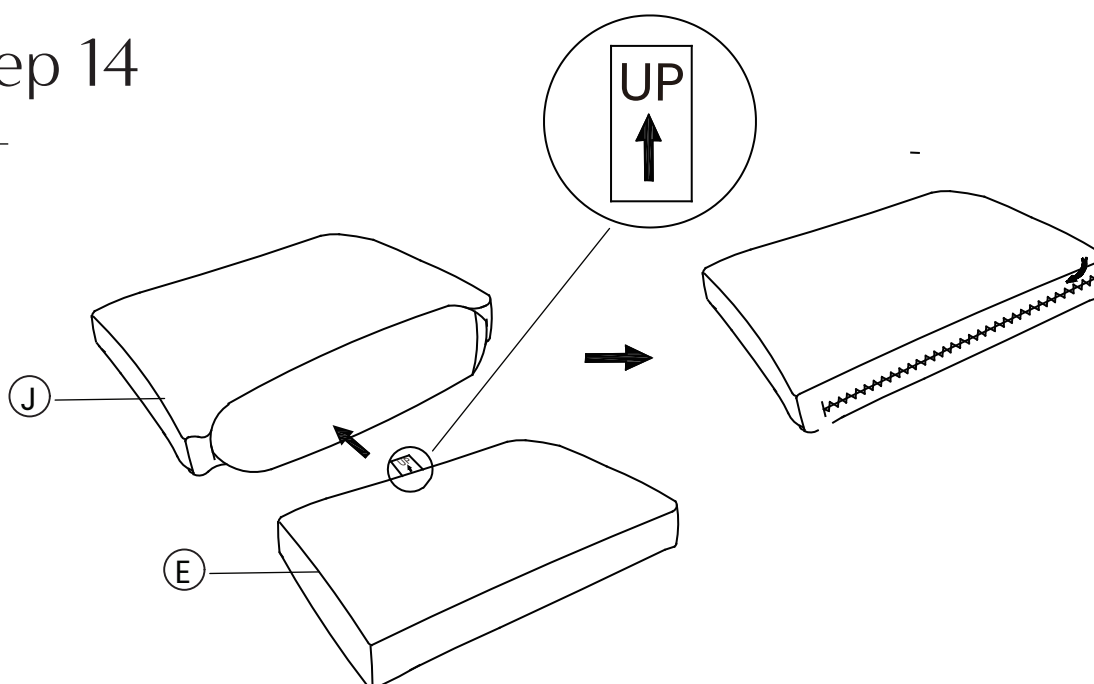
Fold outward the velcro of the fabric cover, then align the four corners of the fabric with the four corners of the end of the sofa frame and then slowly set down from the top of the sofa.

## Step 13



Stick the velcro.

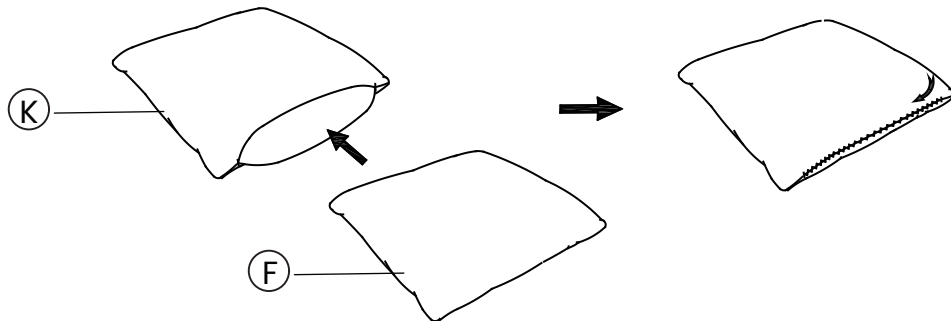
## Step 14



Insert the inner cushion into the fabric cover and zip it up. Gently pat and press the cushion to ensure the filling is evenly dispersed.

## Step 15

---

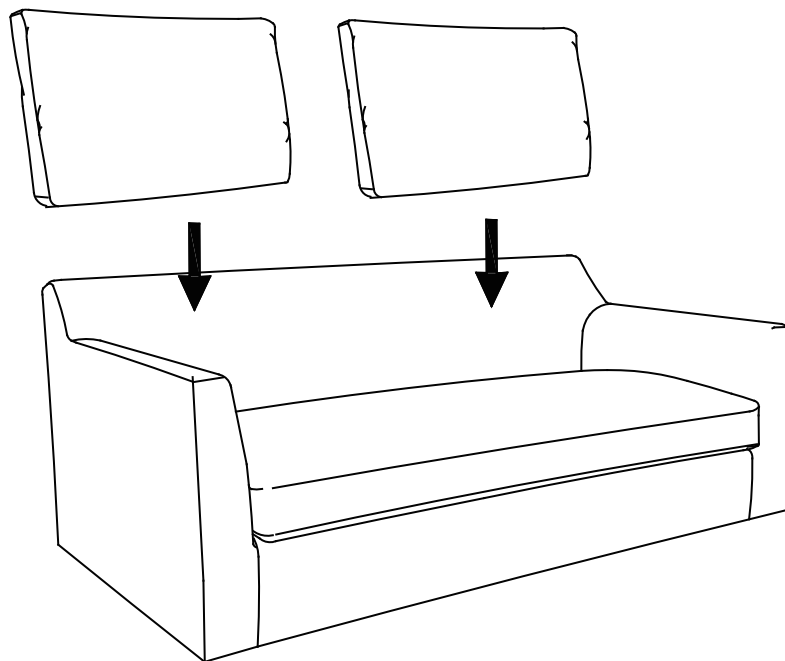


Insert the inner cushion into the fabric cover and zip it up. Gently pat and press the cushion to ensure the filling is evenly dispersed.

---

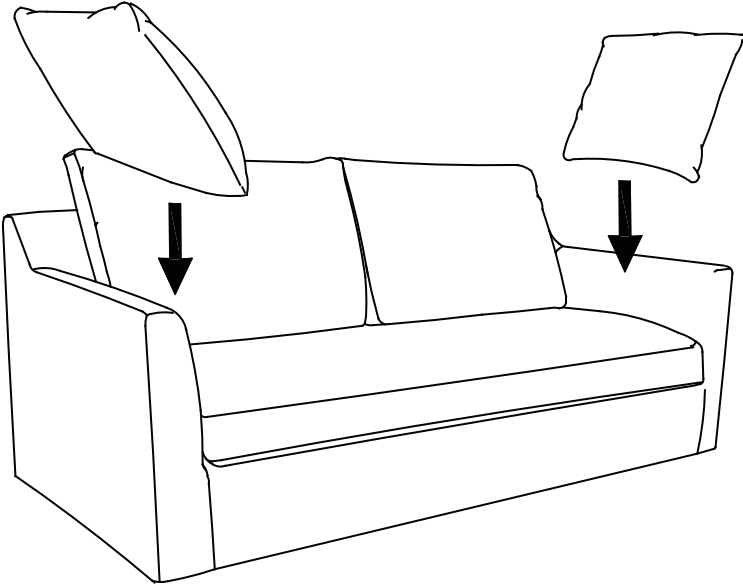
## Step 16

---



# Step 17

—



---

# Finished!

---

**Congratulations, we're almost there!**  
**Please perform the following checks:**

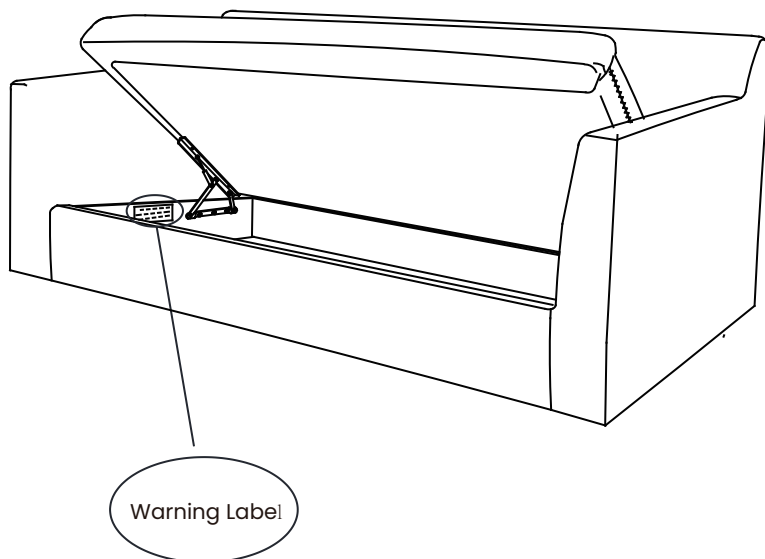
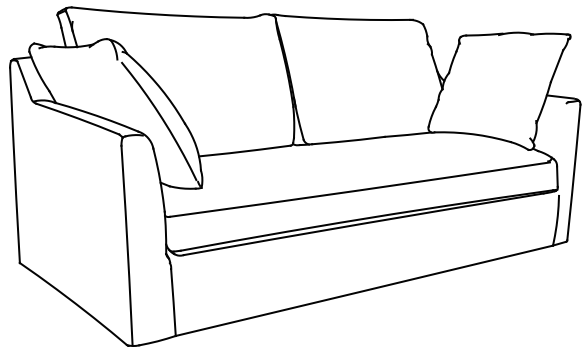
1. Ensure all bolts are tightened.

**Always lift your Castlery product when moving it to your preferred location. Levelers (if any) may slant if you drag your product.**

**Finally, clean the product with a clean cloth.**

**You're all set! Enjoy your new living space, thanks to the addition of your Castlery product.**

Note: Your actual product may have minor size differences due to manual measurements.



## **WARNING:**

- Always close the storage furniture carefully and ensure that there are no fingers in between the gaps.
- This is not a toy, do not let children go into the storage room.

# Care

## Instructions

**Your furniture, if treated with respect and love, will last you a long time. Each piece requires light maintenance to maximize its longevity.**

### **Fabric Sofa & Wooden Care**

#### **General Care**

- Do not sit on sofa arms and/or back frame.
- Always move the sofa by lifting it at the base, do not drag.
- Avoid prolonged exposure to direct sunlight and keep sofa away from any heating source to prevent fading or discoloration.
- Using a brush attachment, vacuum the sofa regularly to remove any dust particles.
- Blot spills immediately and gently with a clean microfiber cloth. Do not rub.
- Professional cleaning is advised for tough stains.
- Avoid sitting on the sofa when wearing clothing that may cause color transfer.
- For removable cushions, flip, rotate and fluff the seat and back cushions regularly to prolong their lifespan and keep them plump.
- For non-removable cushions, to straighten folds and creases that form on cushions after prolonged use, smooth the surface with your hands and tuck any excess upholstery into the sides of the cushions.

#### **Fabric Care**

- Due to wear and tear, piling may occur. This is a normal occurrence and can easily be removed with a fabric shaver or fuzz remover.

#### **Velvet Care**

- Brush the velvet pile regularly to reverse the effects of wear and tear that might temporarily crush the pile.
- To straighten light creases, set your steamer at a low heat setting and steam in the direction of the pile.

**Follow the care instructions and look after your furniture. In return, your furniture will look after you. For more information on our care instructions, visit our product website at [www.castlery.com](http://www.castlery.com).**

**We hope to see you soon!**