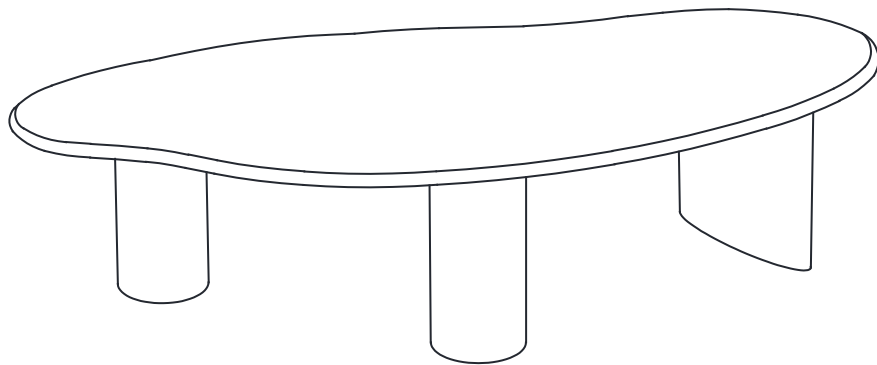


LAVINE MARBLE COFFEE TABLE



Hello there.

We're so glad that our Castlery product has found a home with you. As proud makers of modern, quality furniture, we're confident that you will love and enjoy your purchase.

Setting it up is easy. Read on for a step-by-step guide to have your item assembled and ready for use.

Once you're done, consider sharing a photo on social media or leaving us a review. We'd love to see how you've styled it in your space.

Thank you for being part of the Castlery community!

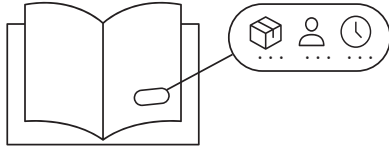
Contact us.

Should you have any questions or concerns regarding your purchase, you can contact us via www.castlery.com/contact-us.

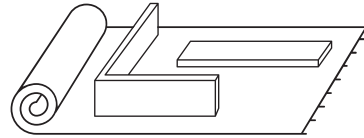


www.castlery.com

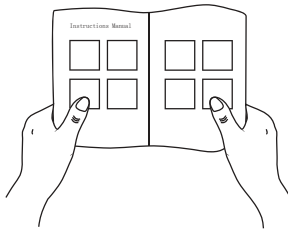
! Before you start...



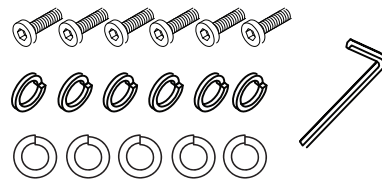
Check that you have received all cartons and familiarize yourself with the assembly requirements. This includes setting aside the allocated time required and having someone to assist you, if needed.



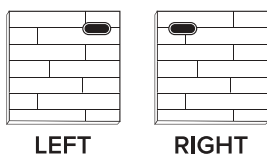
Ensure enough space for assembly. We recommend protecting your floor with a mat or cardboard to avoid scratches during the assembly process.



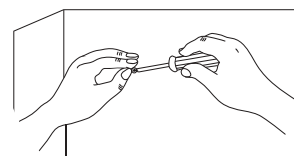
Read instructions carefully, and check that no parts are missing.



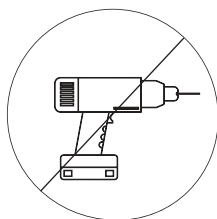
Lay out all hardware on a soft surface so you can easily identify them.



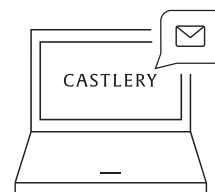
Carefully identify all components to differentiate which pieces are left and right.



Carefully install your new product following the instructions stated. Don't skip ahead!



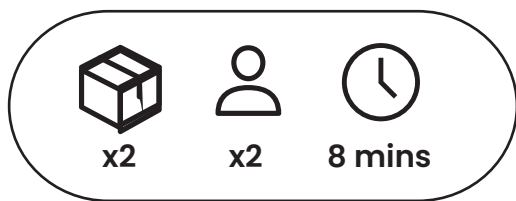
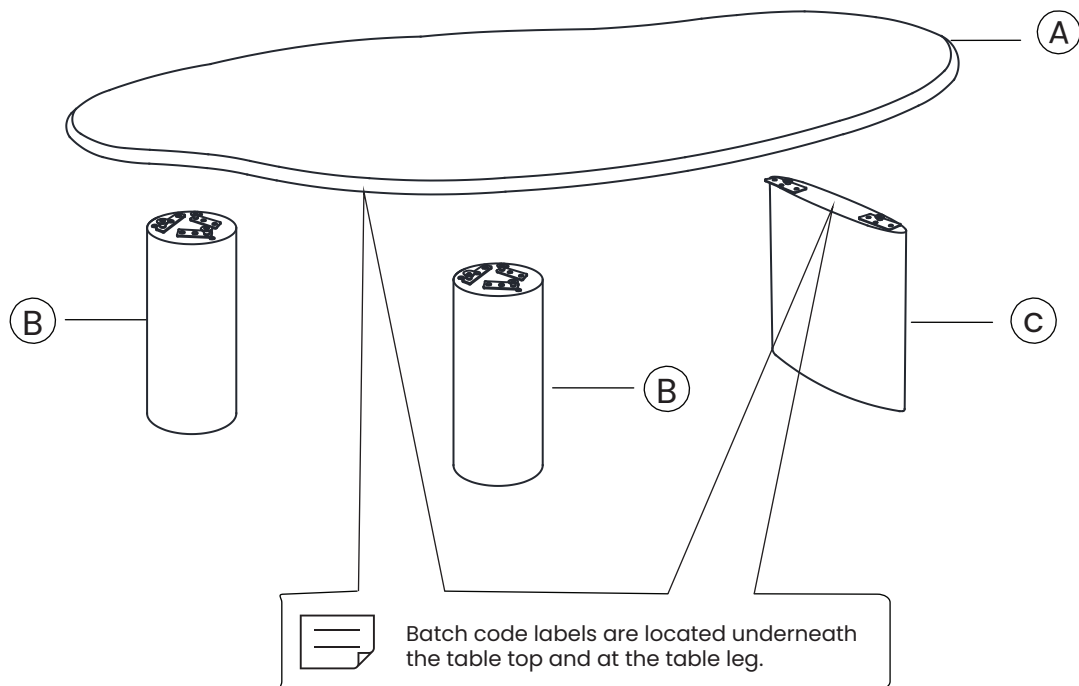
DO NOT over-tighten screws or use a drill. Only professional assemblers should use a drill.



If you need further assistance, please contact us via www.castlery.com/contact-us.

Overview

The hardware is in a red PE bag within Box 2



IMPORTANT: 2 persons needed for assembly.

This will help to minimize potential damage to the product or injury to persons during assembly.



Please do not completely tighten all the hardware, until each assembly step is complete.



Before discarding the packaging, please use the checklist to ensure that you have all the parts required to assemble your product. Please kindly note if applicable please keep the original package when you want to return the product later.



If parts are missing or damaged, we will gladly ship your replacements parts free of charge. Please contact us via www.castlery.com/contact-us. Illustrations in this guide are for reference only and may be slightly different from the actual object.

Parts

BOX 1 OF 2

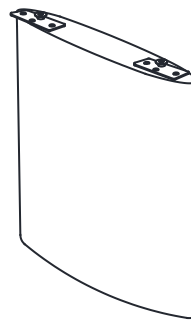


Ⓐ Table Top
x1

BOX 2 OF 2



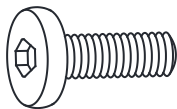
Ⓑ Leg
x2



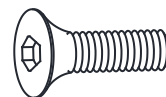
Ⓒ Leg
x1

Hardware

BOX 2 OF 2



⓫ Bolts
5/16"*5/8"L
x10



⓬ Bolts
5/16"*5/8"L
x16
(8pcs on
wooden legs)

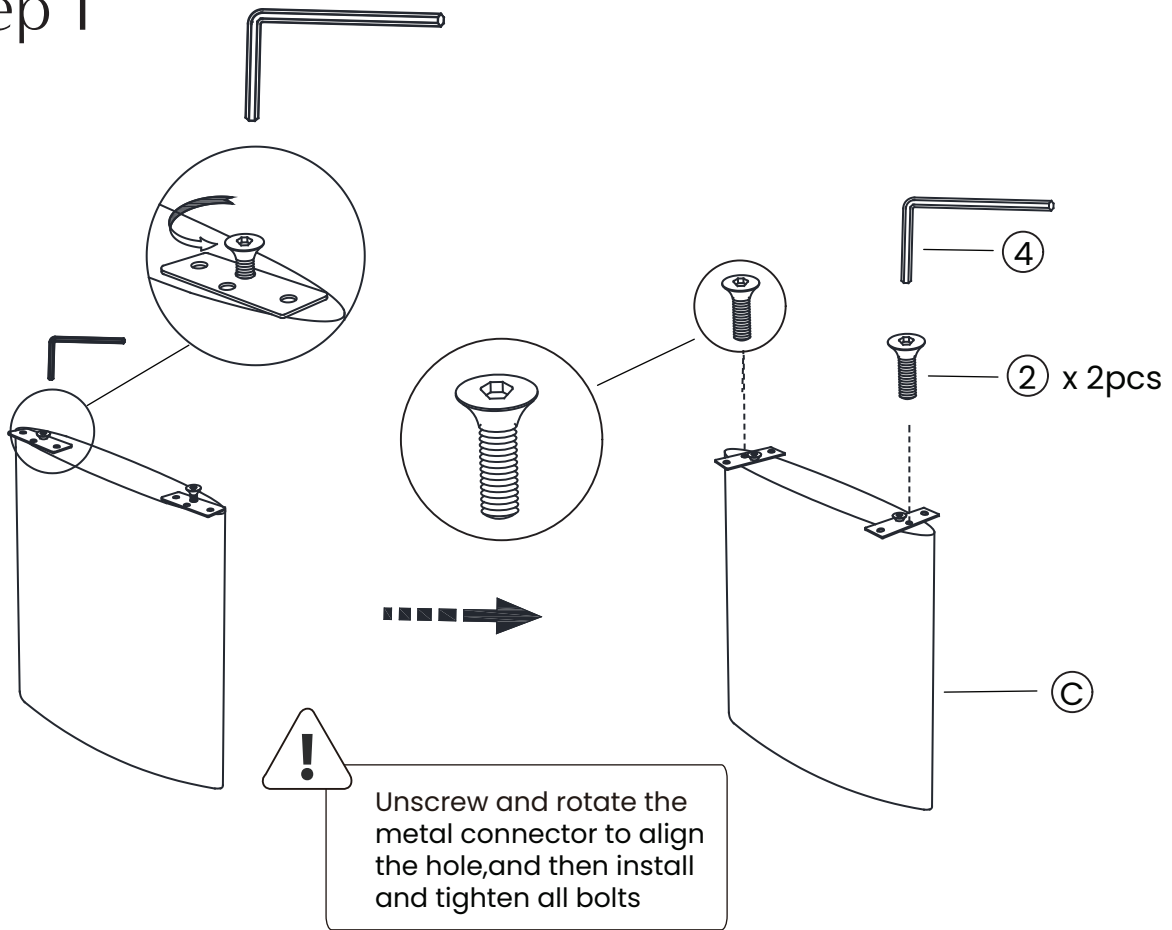


⓭ Flat Washer
Ø19*Ø8
x10

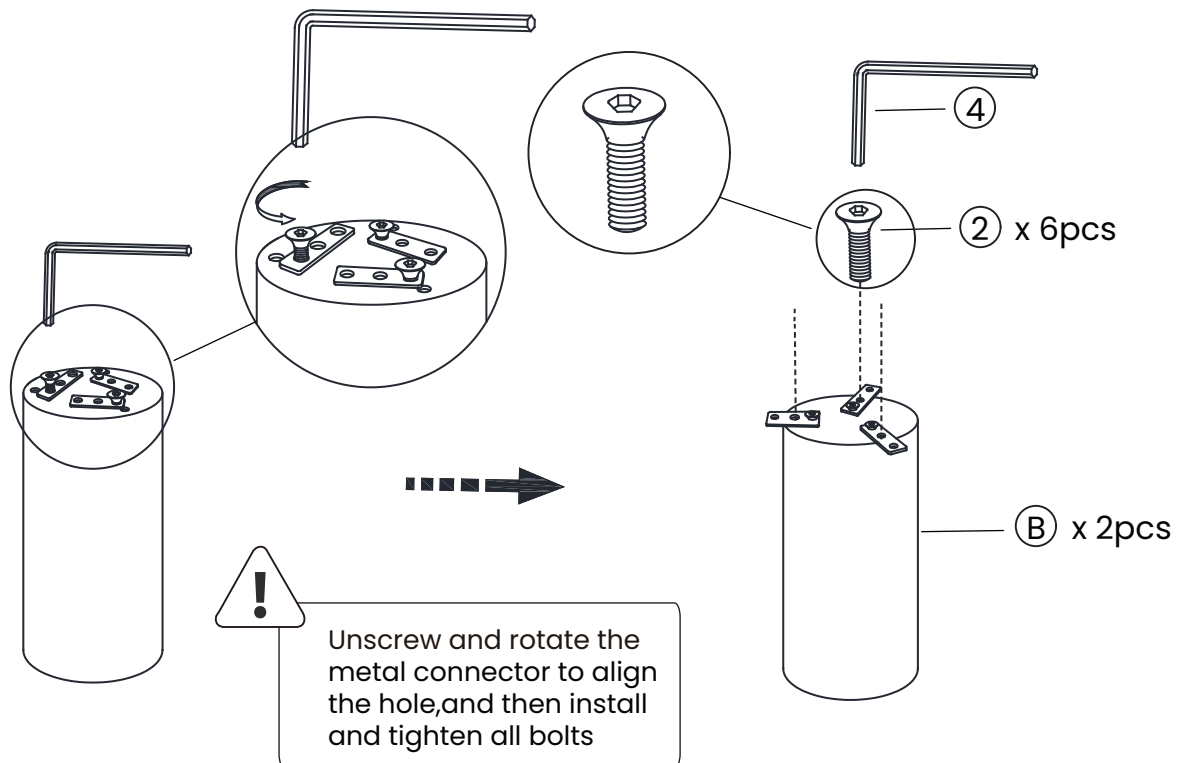


⓮ Allen Key M5
x1

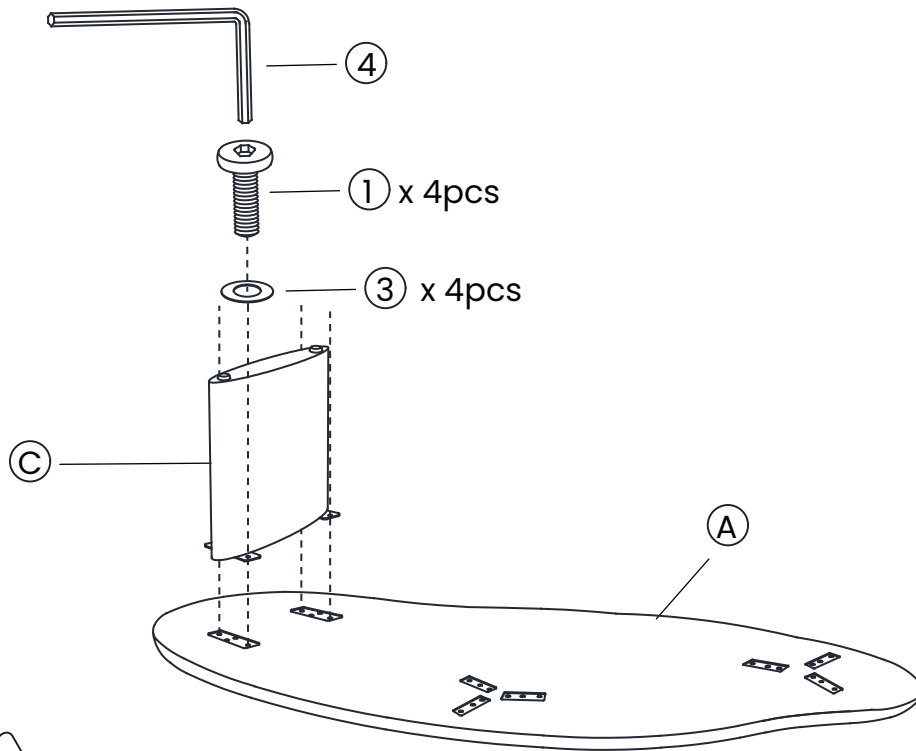
Step 1



Step 2

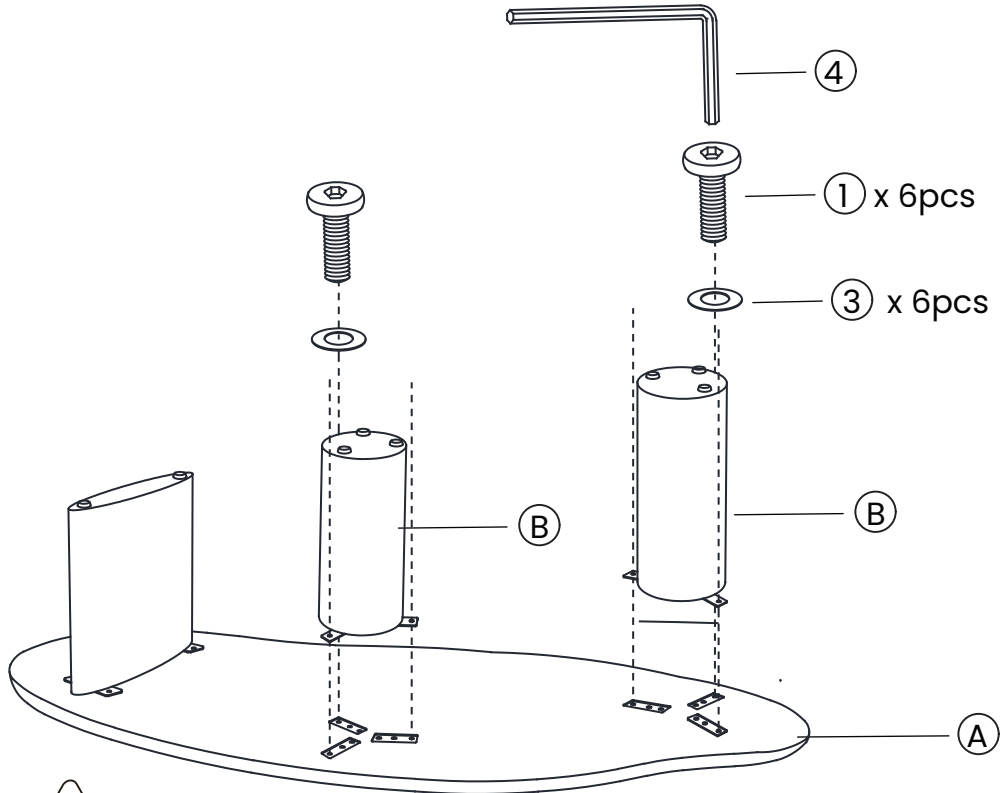


Step 3



! Do not tighten until all bolts are positioned.

Step 4



! Do not tighten until all bolts are positioned.

Finished!

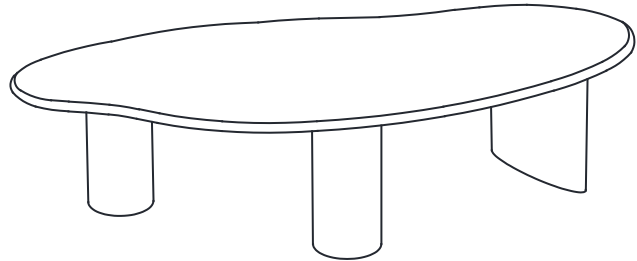
Congratulations, we're almost there!
Please perform the following checks:

1. Ensure all bolts are tightened.

Always lift your Castlery product when moving it to your preferred location. Levelers (if any) may slant if you drag your product.

Finally, clean the product with a clean cloth.

You're all set! Enjoy your new living space, thanks to the addition of your Castlery product.



Note: Your actual product may have minor size differences due to manual measurements.

1

Care

Instructions

Your furniture, if treated with respect and love, will last you a long time. Each piece requires light maintenance to maximize its longevity.

Marble Table Care

- Marble is a porous stone so remember to wipe spills immediately.
- Acidic foods and liquids will stain and etch the marble surface quickly. In case of accidental spills, soak up with a dry soft absorbent cloth immediately. Additional cleaning with a damp cloth may be needed. Buff dry.
- Do not put hot objects on the surface.
- Dust with a soft, dry cloth and clean with a slightly damp cloth.
- Do not use abrasive cleaners.
- Avoid placing rough or sharp objects on the surface.
- Use coasters or placemats and trivets where possible, to prevent discoloration of the surface.
- Keep furniture away from direct heat or sunlight.
- Lift when moving, do not drag
- Periodically check that all connections are tightly secured.

Follow the care instructions and look after your furniture. In return, your furniture will look after you. For more information on our care instructions, visit our product website at www.castlery.com.

We hope to see you soon!