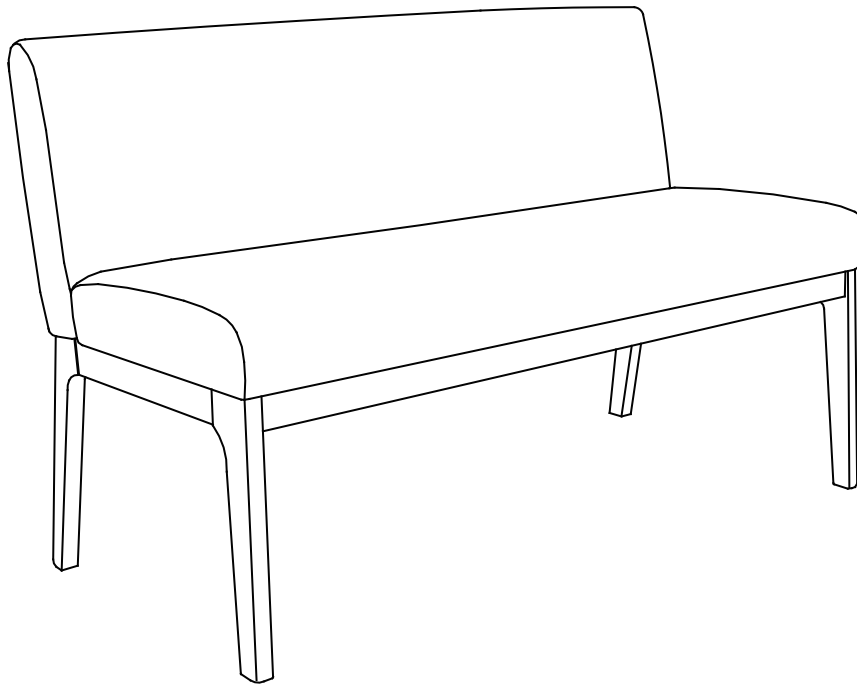


# ELLIOT BENCH



# Hello there.

We're so glad that our Castlery product has found a home with you. As proud makers of modern, quality furniture, we're confident that you will love and enjoy your purchase.

Setting it up is easy. Read on for a step-by-step guide to have your item assembled and ready for use.

Once you're done, consider sharing a photo on social media or leaving us a review. We'd love to see how you've styled it in your space.

**Thank you for being part of the Castlery community!**

---

# Contact us.

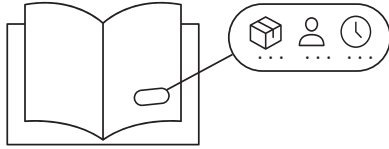
Should you have any questions or concerns regarding your purchase, you can contact us via [www.castlery.com/contact-us](https://www.castlery.com/contact-us).



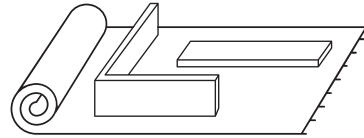
[www.castlery.com](https://www.castlery.com)



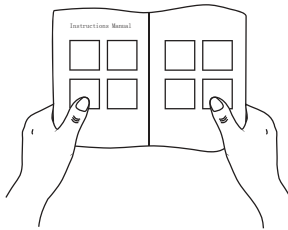
## Before you start...



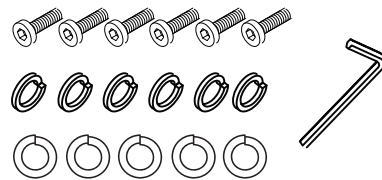
Check that you have received all cartons and familiarize yourself with the assembly requirements. This includes setting aside the allocated time required and having someone to assist you, if needed.



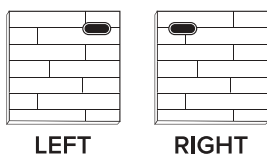
Ensure enough space for assembly. We recommend protecting your floor with a mat or cardboard to avoid scratches during the assembly process.



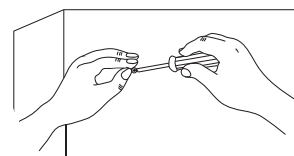
Read instructions carefully, and check that no parts are missing.



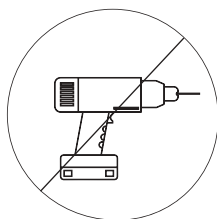
Lay out all hardware on a soft surface so you can easily identify them.



Carefully identify all components to differentiate which pieces are left and right.



Carefully install your new product following the instructions stated. Don't skip ahead!



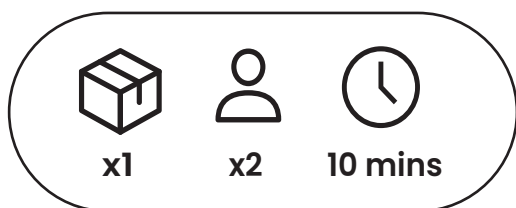
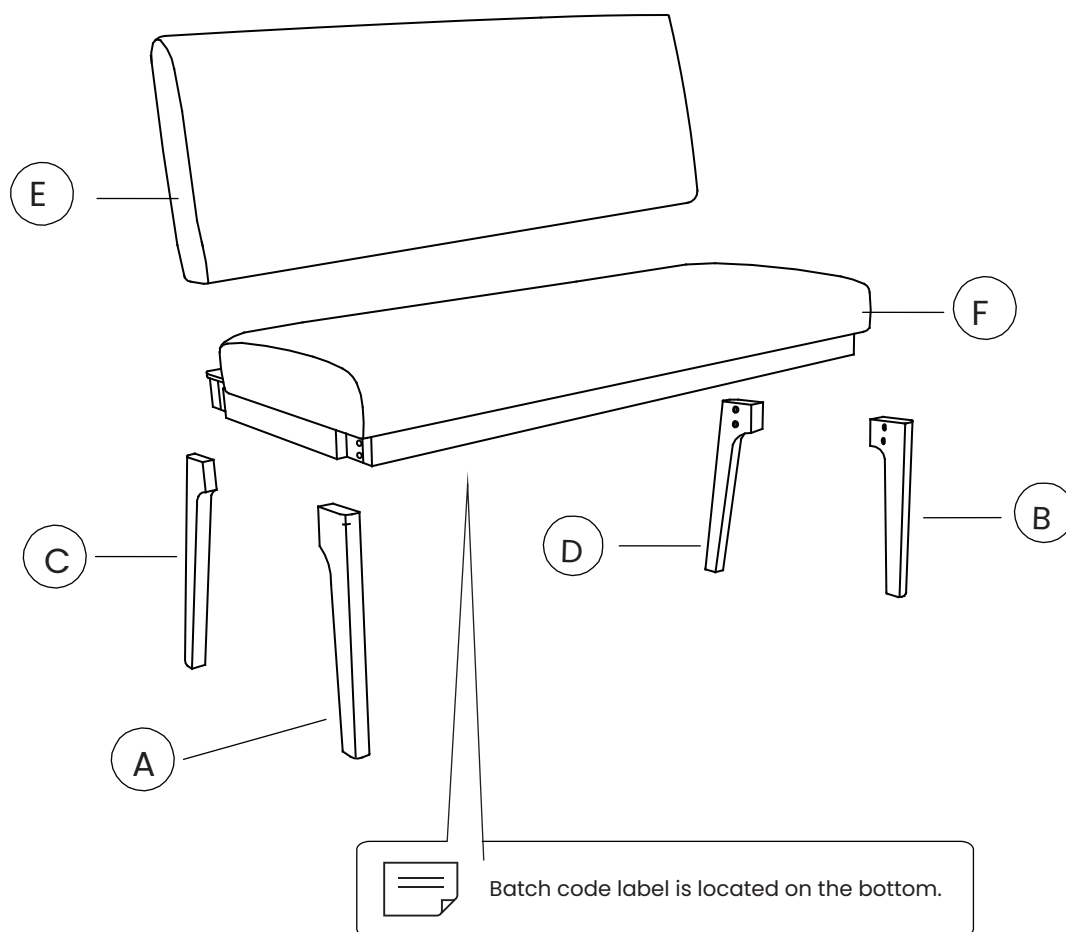
DO NOT over-tighten screws or use a drill. Only professional assemblers should use a drill.








If you need further assistance, please contact us via [www.castlery.com/contact-us](http://www.castlery.com/contact-us).

# Overview

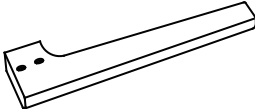
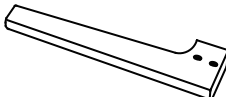
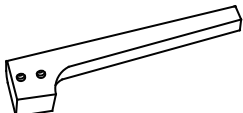
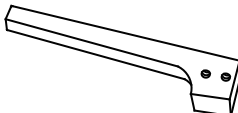


The hardware is in a red PE bag



-  **IMPORTANT: 2 persons needed for assembly.** This will help to minimize potential damage to the product or injury to persons during assembly.
-  There are inner box(es) that include components required to complete this assembly.
-  Please do not completely tighten all the hardware, until each assembly step is complete.
-  Before discarding the packaging, please use the checklist to ensure that you have all the parts required to assemble your product. Please kindly note if applicable please keep the original package when you want to return the product later.
-  If parts are missing or damaged, we will gladly ship your replacements parts free of charge. Please contact us via [www.castlery.com/contact-us](http://www.castlery.com/contact-us). Illustrations in this guide are for reference only and may be slightly different from the actual object.

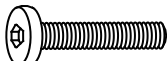








# Parts

BOX 1 OF 1

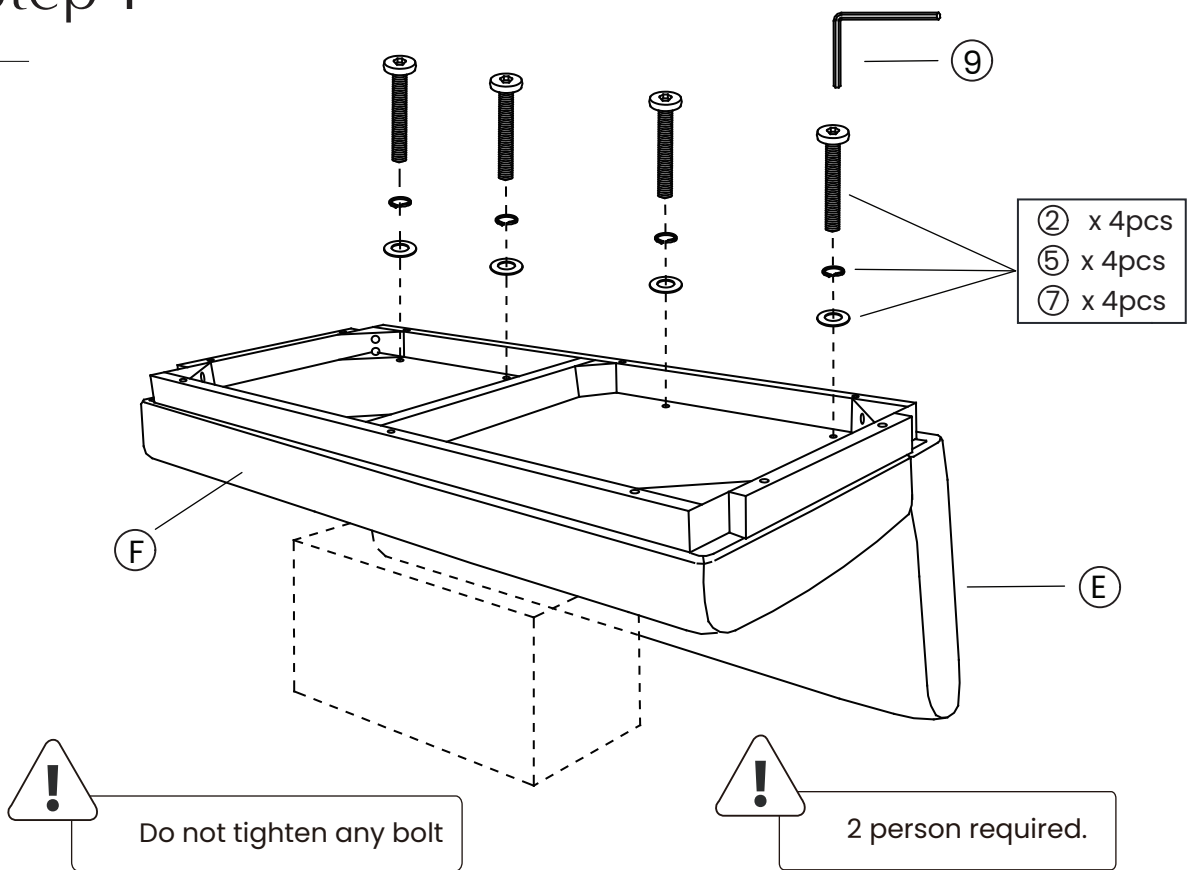
- |                          |                                                                                   |                                 |                          |                                                                                    |                                  |
|--------------------------|-----------------------------------------------------------------------------------|---------------------------------|--------------------------|------------------------------------------------------------------------------------|----------------------------------|
| <input type="checkbox"/> |  | (A) Left-Front Leg<br><b>x1</b> | <input type="checkbox"/> |  | (B) Right-Front Leg<br><b>x1</b> |
| <input type="checkbox"/> |  | (C) Left-Back Leg<br><b>x1</b>  | <input type="checkbox"/> |  | (D) Right-Back Leg<br><b>x1</b>  |
| <input type="checkbox"/> |  | (E) Backrest<br><b>x1</b>       | <input type="checkbox"/> |  | (F) Seat<br><b>x1</b>            |

# Hardware

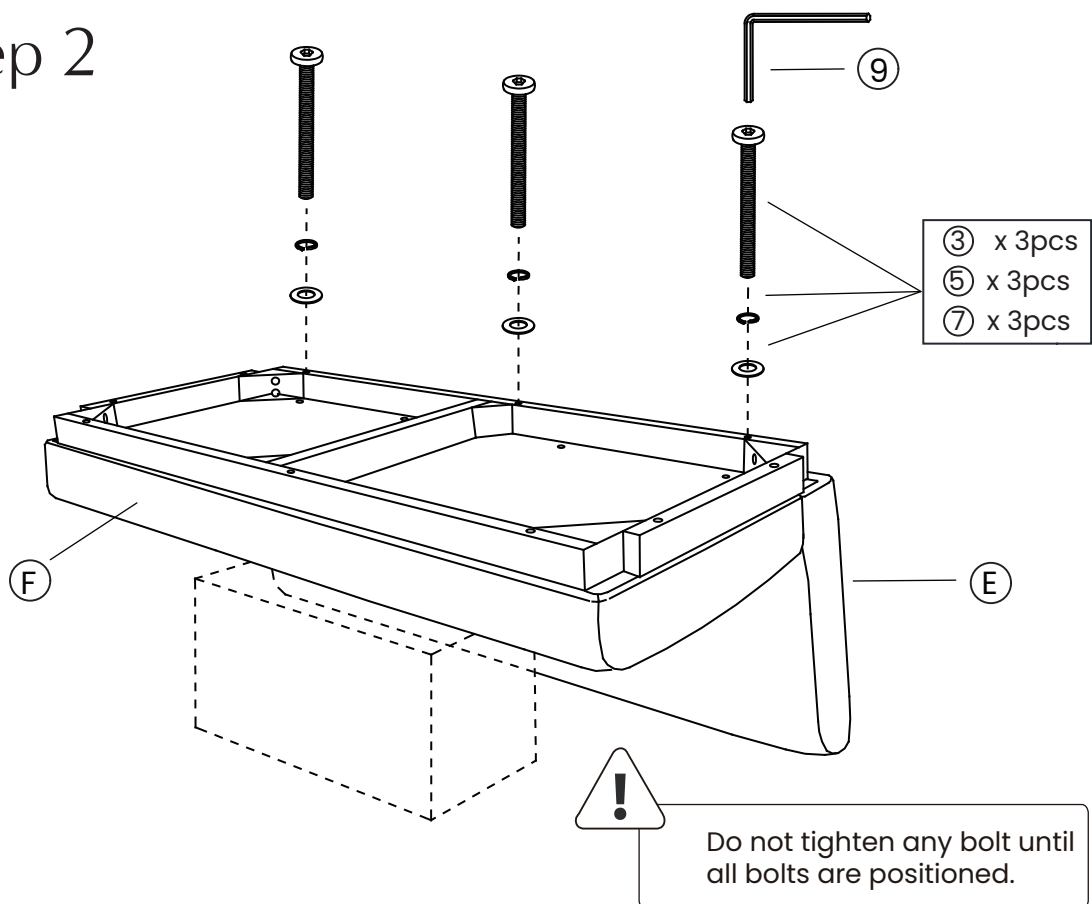
BOX 1 OF 1

- |                          |                                                                                     |                                                   |                          |                                                                                      |                                                  |
|--------------------------|-------------------------------------------------------------------------------------|---------------------------------------------------|--------------------------|--------------------------------------------------------------------------------------|--------------------------------------------------|
| <input type="checkbox"/> |  | (1) Bolts<br>5/16\" data-bbox="348 571 451 616"/> | <input type="checkbox"/> |  | (2) Bolts<br>1/4\" data-bbox="751 571 841 616"/> |
| <input type="checkbox"/> |  | (3) Bolts<br>1/4\" data-bbox="348 648 438 693"/>  | <input type="checkbox"/> |  | (4) Spring Washer<br>Ø13*Ø8<br><b>x8</b>         |
| <input type="checkbox"/> |  | (5) Spring Washer<br>Ø10*Ø6<br><b>x7</b>          | <input type="checkbox"/> |  | (6) Flat Washer<br>Ø19*Ø8<br><b>x8</b>           |
| <input type="checkbox"/> |  | (7) Flat Washer<br>Ø16*Ø6<br><b>x7</b>            | <input type="checkbox"/> |  | (8) Allen Key M5<br><b>x1</b>                    |
| <input type="checkbox"/> |  | (9) Allen Key M4<br><b>x1</b>                     |                          |                                                                                      |                                                  |

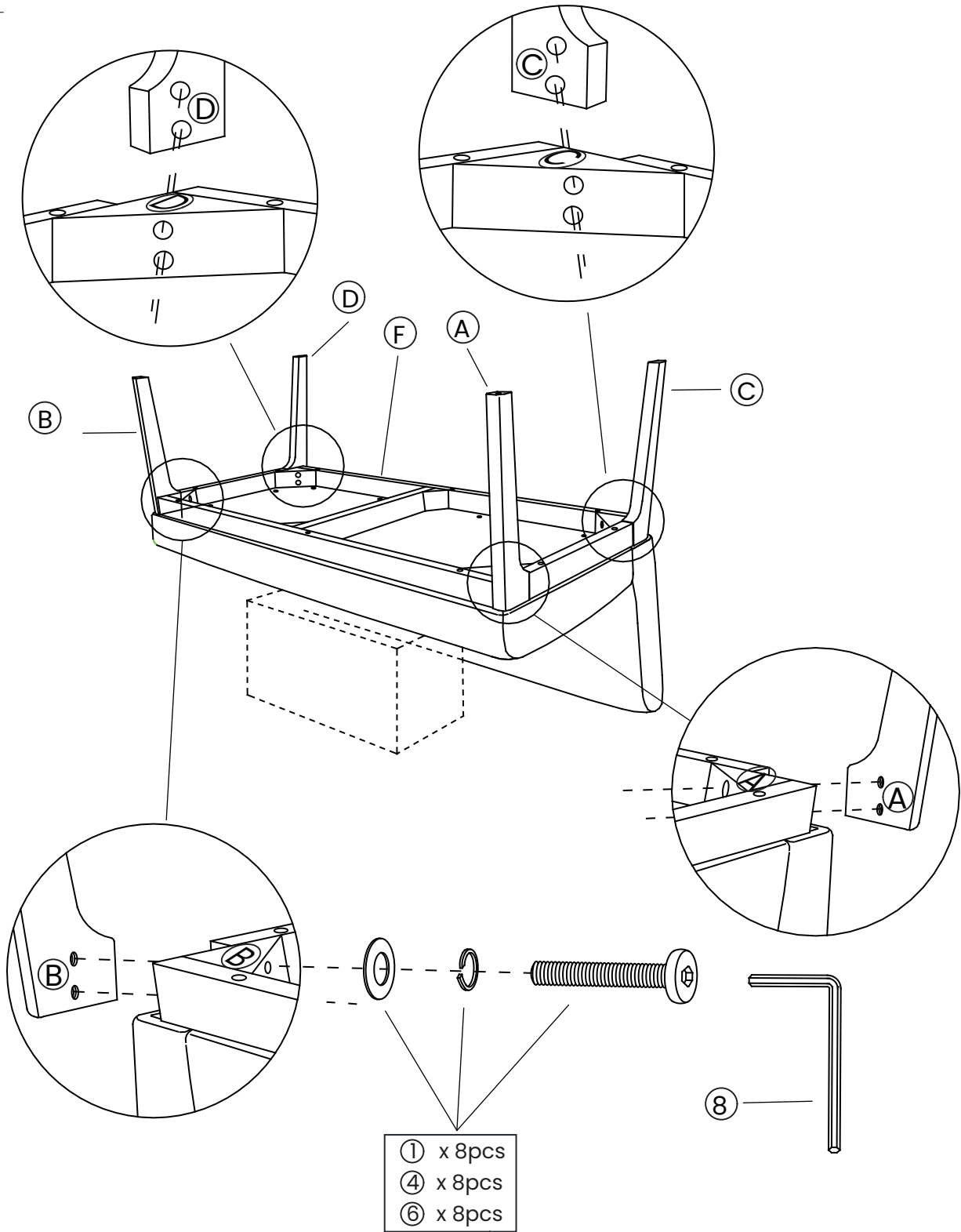
# Step 1



# Step 2



# Step 3



Do not tighten any bolt until all bolts are positioned.

# Finished!

---

**Congratulations, we're almost there!**  
**Please perform the following checks:**

1. Ensure all bolts are tightened.

**Always lift your Castlery product when moving it to your preferred location. Levelers (if any) may slant if you drag your product.**

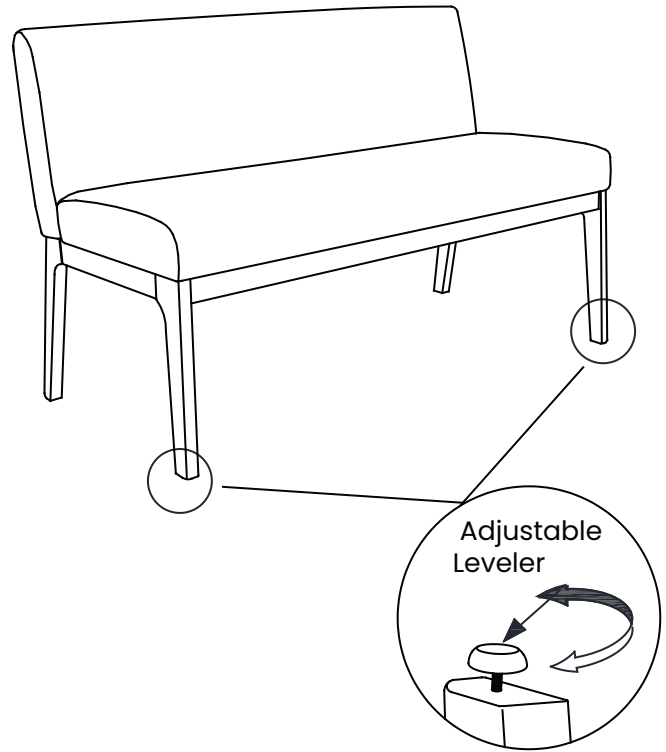
**Finally, clean the product with a clean cloth.**

**You're all set! Enjoy your new living space, thanks to the addition of your Castlery product.**

Note: Your actual product may have minor size differences due to manual measurements.



Do not tighten any bolt until all bolts are positioned.



Adjustable Leveler

# Care

## Instructions

**Your furniture, if treated with respect and love, will last you a long time. Each piece requires light maintenance to maximize its longevity.**

### **Fabric/Leather chair & Wooden Legs Care**

#### **General Care**

- Avoid prolonged exposure to direct sunlight and keep furniture away from any heating source to prevent fading or discoloration.
- Using a brush attachment, vacuum the seats regularly to remove any dust particles.
- Blot spills immediately and gently with a clean white cloth. Do not rub.
- Professional cleaning is advised for tough stains.
- Preiodically check that all connections are tihgtly-secured .
- Do not tilt the chair backwards or farwards while seated.
- Avoid placing sharp itens on the sofa, like keys or scissors.

#### **Fabric Care**

- Pilling may occur because of wear and tear and can be easily removed with a fabric comb or fuzz remover.

#### **Leather Care**

- Use a leather conditioner to keep the leather soft and supple — let dry before sitting.
- Avoid placing sharp items on the sofa, like keys or scissors.
- A patina or slight sheen will develop on the surface of the sofa over time and is part of normal wear and tear of leather that adds character to the sofa.

#### **Wooden Leg**

- Keep legs dry at all times.
- Clean away dust or dirt with a soft, clean cloth.

**Follow the care instructions and look after your furniture. In return, your furniture will look after you. For more information on our care instructions, visit our product website at [www.castlery.com](http://www.castlery.com)**

**We hope to see you soon!**