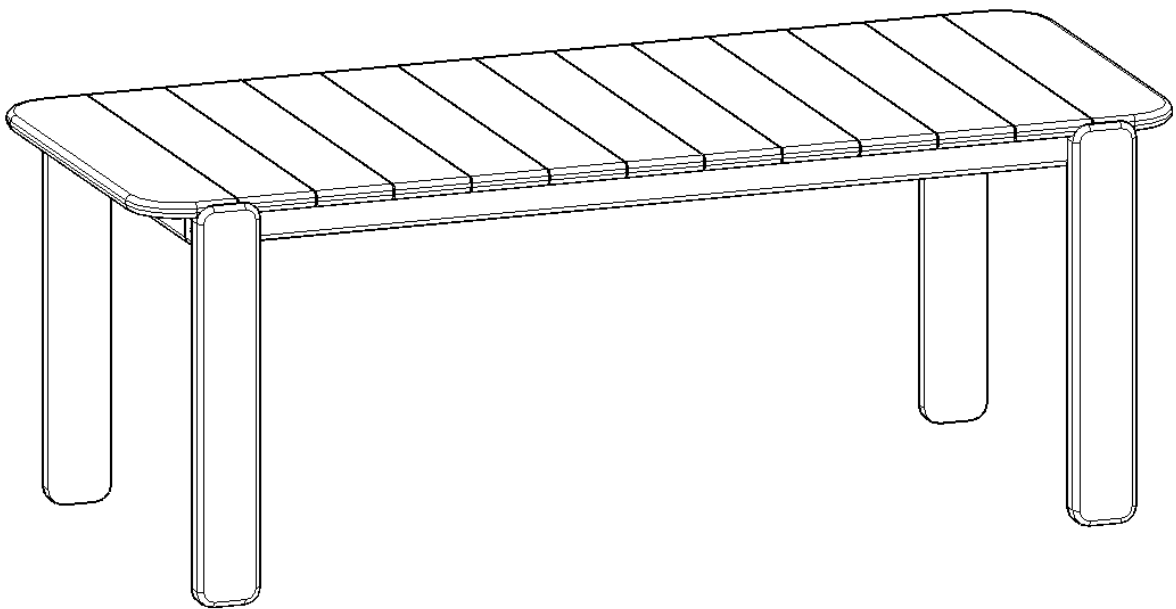


EDEN

DINING TABLE



Hello there.

We're so glad that our Castlery product has found a home with you. As proud makers of modern, quality furniture, we're confident that you will love and enjoy your purchase.

Setting it up is easy. Read on for a step-by-step guide to have your item assembled and ready for use.

Once you're done, consider sharing a photo on social media or leaving us a review. We'd love to see how you've styled it in your space.

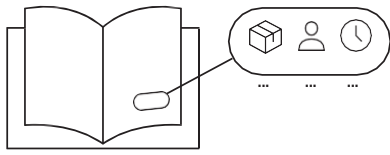
Thank you for being part of the Castlery community!

Contact us.

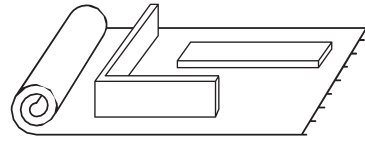
Should you have any questions or concerns regarding your purchase, you can contact us via www.castlery.com/contact-us.



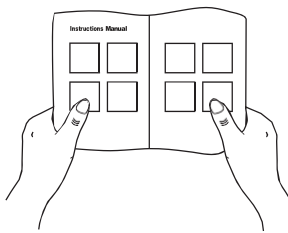
Before you start...



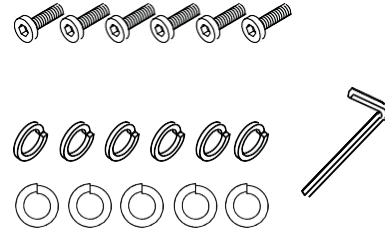
Check that you have received all cartons and familiarize yourself with the assembly requirements. This includes setting aside the allocated time required and having someone to assist you, if needed.



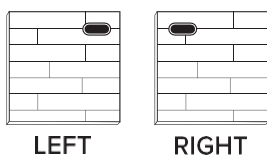
Ensure enough space for assembly. We recommend protecting your floor with a mat or cardboard to avoid scratches during the assembly process.



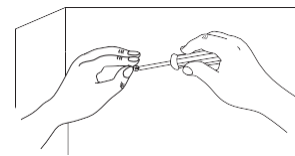
Read instructions carefully, and check that no parts are missing.



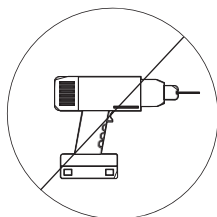
Lay out all hardware on a soft surface so you can easily identify them.



Carefully identify all components to differentiate which pieces are left and right.



Carefully install your new product following the instructions stated. Don't skip ahead!

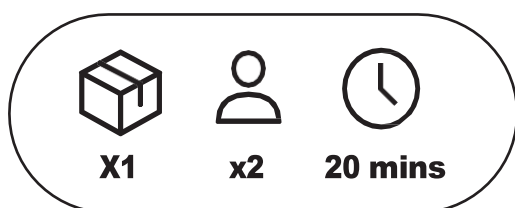
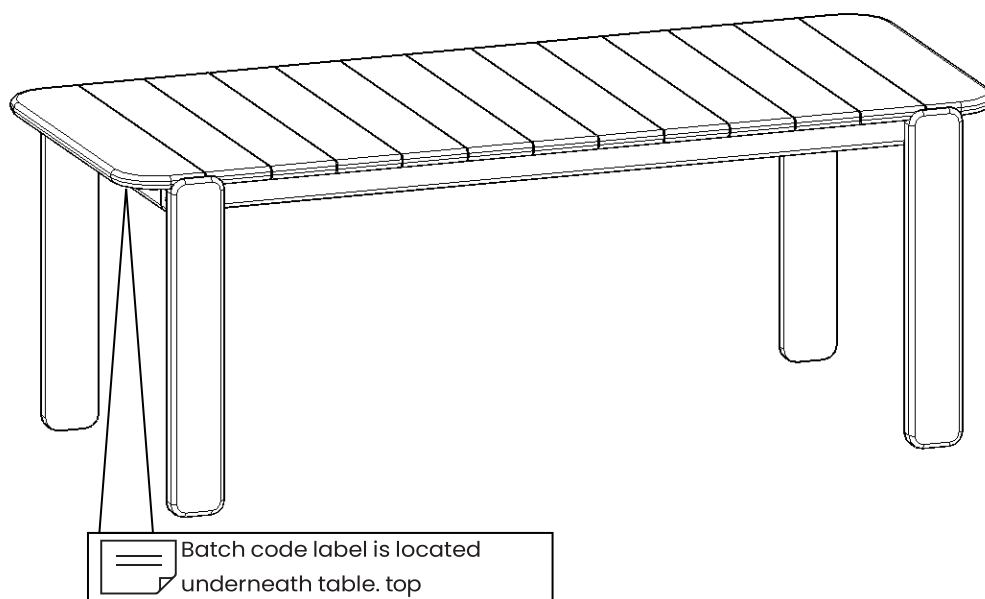


DO NOT over-tighten screws or use a drill. Only professional assemblers should use a drill.








If you need further assistance, please contact us via www.castlery.com/contact-us.

Overview

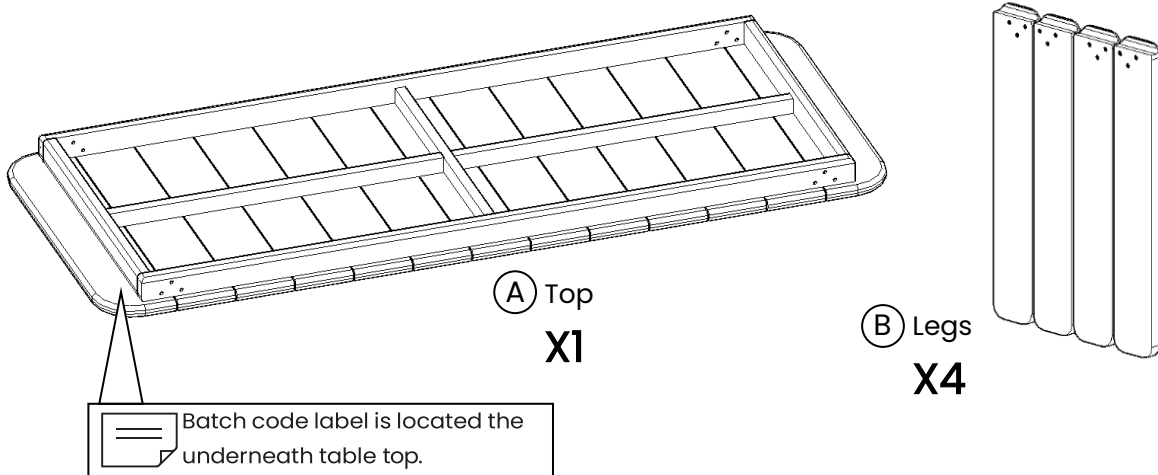


IMPORTANT: 2 persons needed for assembly.

-  This will help to minimize potential damage to the product or injury to persons during assembly.
-  There are inner box(es) that include components required to complete this assembly.
-  Please do not completely tighten all the hardware, until each assembly step is complete.
-  Before discarding the packaging, please use the checklist to ensure that you have all the parts required to assemble your product. Please kindly note if applicable please keep the original package when you want to return the product later.
-  If parts are missing or damaged, we will gladly ship your replacements parts free of charge. Please contact us via www.castlery.com/contact-us. Illustrations in this guide are for reference only and may be slightly different from the actual object.

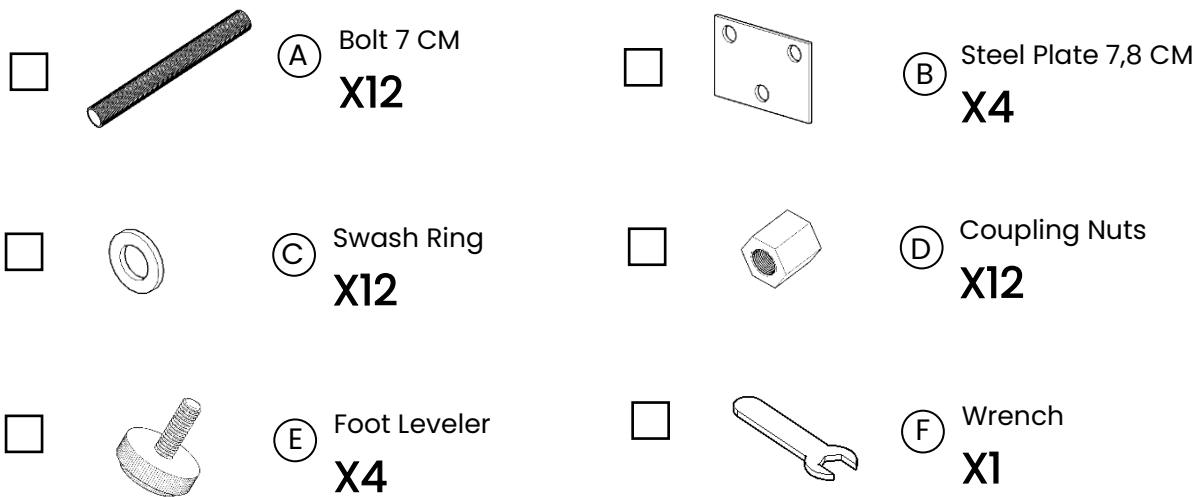
Parts

BOX 1 OF 1



Hardware

BOX 1 OF 1

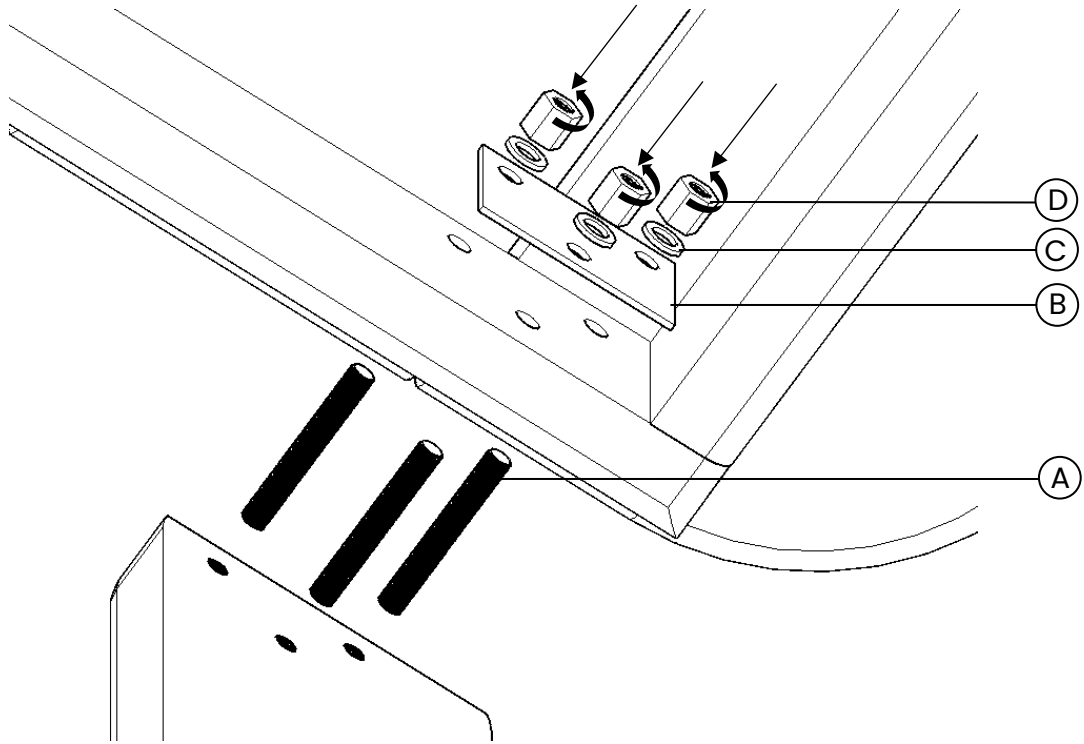


Step 1



This step requires 2 people.

Leg knockdown construction

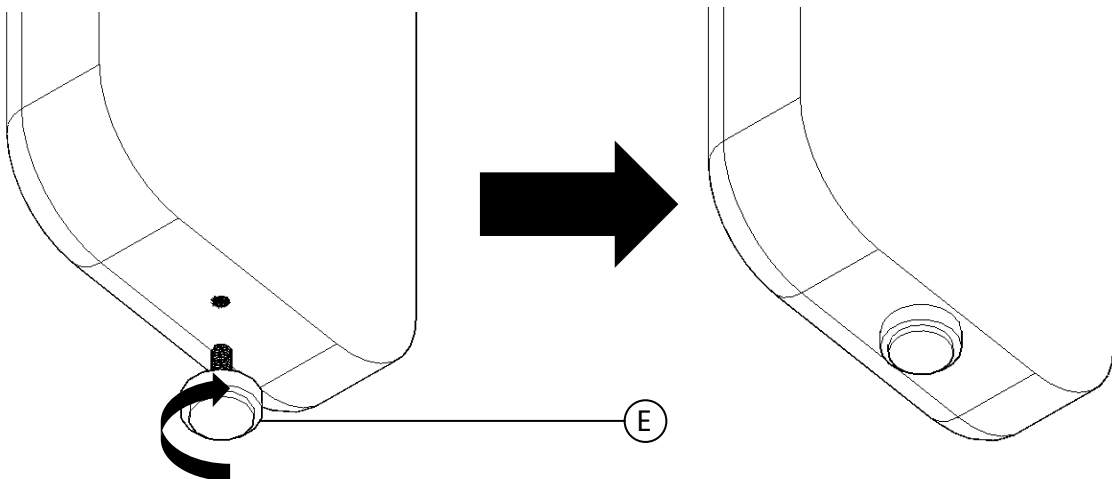


Check that all parts and hardwares are aligned before tightening the bolts.

Step 2



This step requires 2 people.

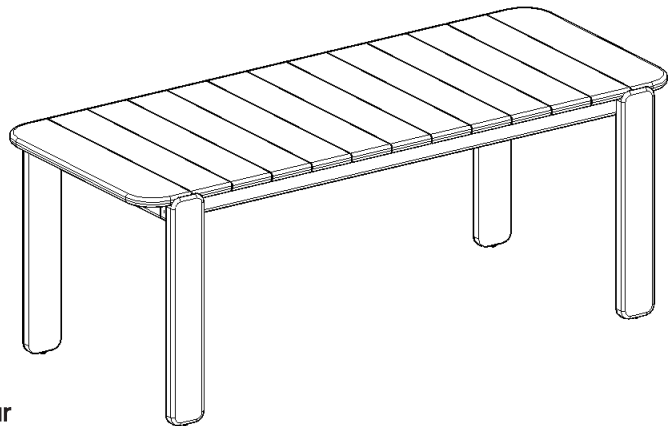


Ensure the leellers are installed. Tighten or loosen each leveller to adjust the table height as needed. Some leellers may feel tighter or looser, depending on your floor level

Finished!

Congratulations, we're almost there! Please perform the following checks:

1. Have you tightened all the screws ?
2. Please adjust the leveller or hinge as per the following instructions.



Always lift your Castlery product when moving it to your preferred location. Levelers (if any) may slant if you drag your product.

Finally, clean the product with a clean cloth.

You're all set! Enjoy your new living space, thanks to the addition of your Castlery product.

Note: Your actual product may have minor size differences due to manual measurements.

Care Instruction

Your furniture, if treated with respect and love, will last you a long time. Each piece requires light maintenance to maximize its longevity.

Do's

1. Clean the wooden sofa regularly with a dry, soft cloth.
2. Screws and bolts may loosen over time. Please check it regularly to tighten it.
3. Vacuum with low suction power for regular fabric cleaning of the cushion from dust.
4. To remove stubborn stains on fabric, use fabric cleaner that is suitable for polyester fabric.
5. To extend the lifespan of your cushions, keep them free of dirt and foliage. We suggest storing it inside in case of bad weather. To prevent mildew, stand cushions on one end and let them dry completely before storing.
6. Ensure product is completely dry before putting an outdoor covers.
7. To maintain the glamour of the wood, use outdoor cover when unused, and apply wax once every 6 to 12 months.

Don'ts

1. Do not use silicone based polishes.
2. Do not use abrasive cleaners that may damage the finishes.
3. Avoid moving the furniture in between extreme conditions such as from outdoor under the sun to indoor air conditioned room since wood will crack naturally to adapt this environment changes.

Natural Characteristic

1. Tiny fissures or cracks may develop if there are changes in humidity and temperature. This is unavoidable and occurs naturally in solid wood furniture.
2. This product uses natural mahogany wood. Variations in colour, grain, knots, and texture are expected and are not considered defects, as they reflect the nature of solid timber due to differences in grain density and how each piece absorb the finish.
3. This collection is finished with a specially engineered coating to improve durability against weather, while a light wire-brushed treatment preserves the natural feel of the wood. However - mahogany wood may deepen in colour over time due to natural oxidation and light exposure.
4. It is normal for mahogany wood to expand and contract with time and changes in weather.