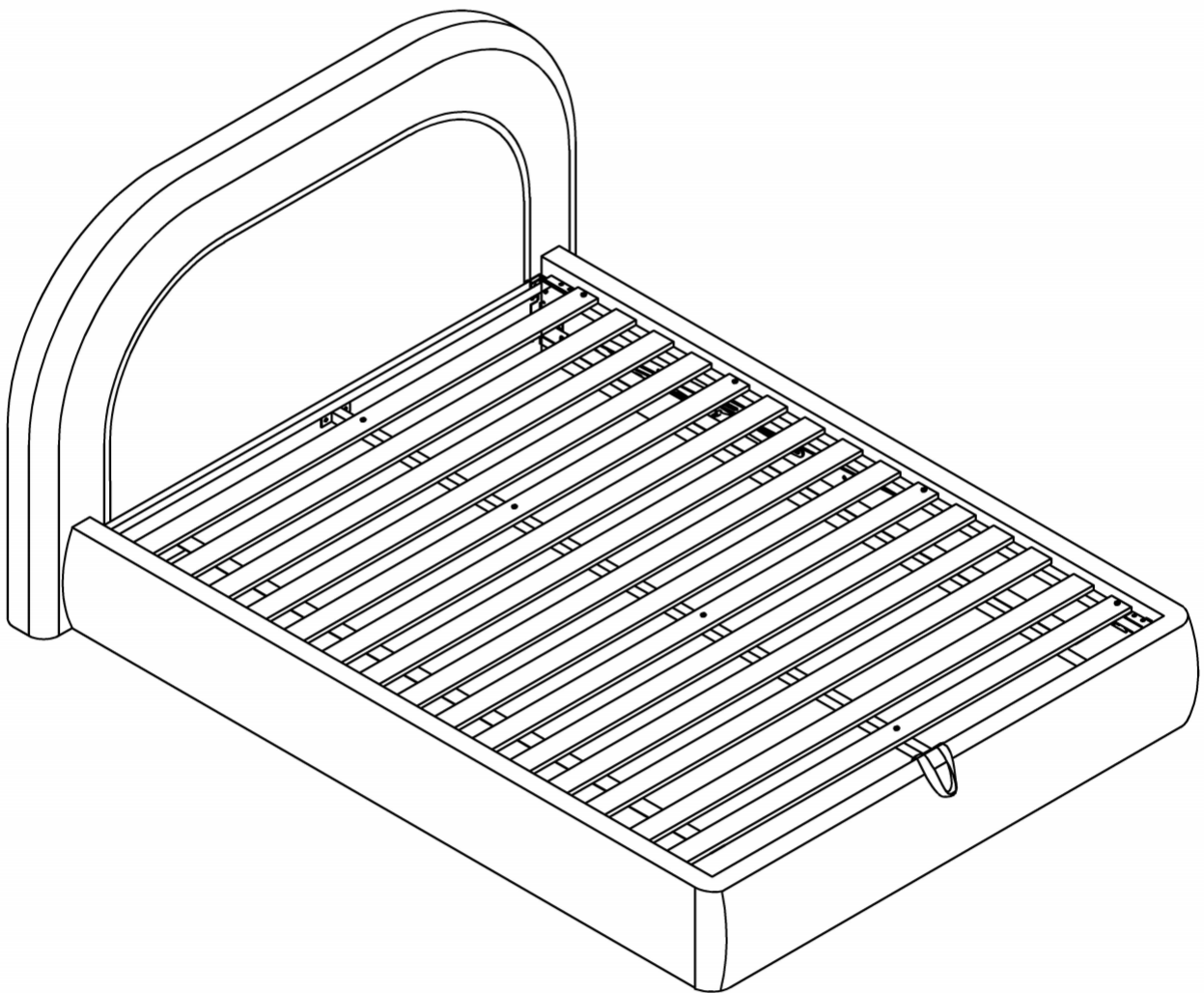


CAMILLE STORAGE KING SIZE BED(UK VER)



Hello there.

We're so glad that our Castlery product has found a home with you. As proud makers of modern, quality furniture, we're confident that you will love and enjoy your purchase.

Setting it up is easy. Read on for a step-by-step guide to have your item assembled and ready for use.

Once you're done, consider sharing a photo on social media or leaving us a review. We'd love to see how you've styled it in your space.

Thank you for being part of the Castlery community!

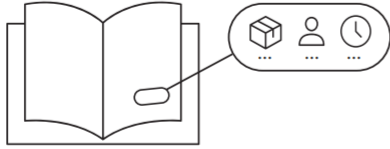
Contact us.

Should you have any questions or concerns regarding your purchase, you can contact us via www.castlery.com/contact-us.

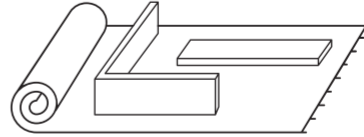


www.castlery.com

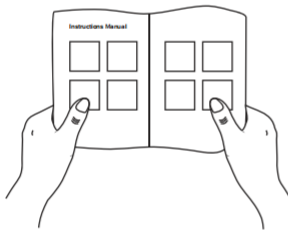
Before you start...



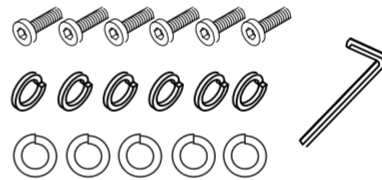
Check that you have received all cartons and familiarize yourself with the assembly requirements. This includes setting aside the allocated time required and having someone to assist you, if needed.



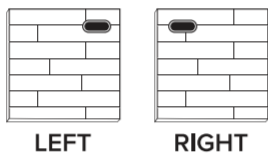
Ensure enough space for assembly. We recommend protecting your floor with a mat or cardboard to avoid scratches during the assembly process.



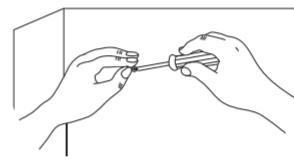
Read instructions carefully, and check that no parts are missing.



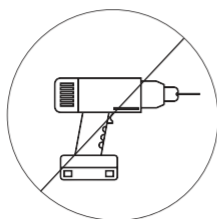
Lay out all hardware on a soft surface so you can easily identify them.



Carefully identify all components to differentiate which pieces are left and right.



Carefully install your new product following the instructions stated. Don't skip ahead!




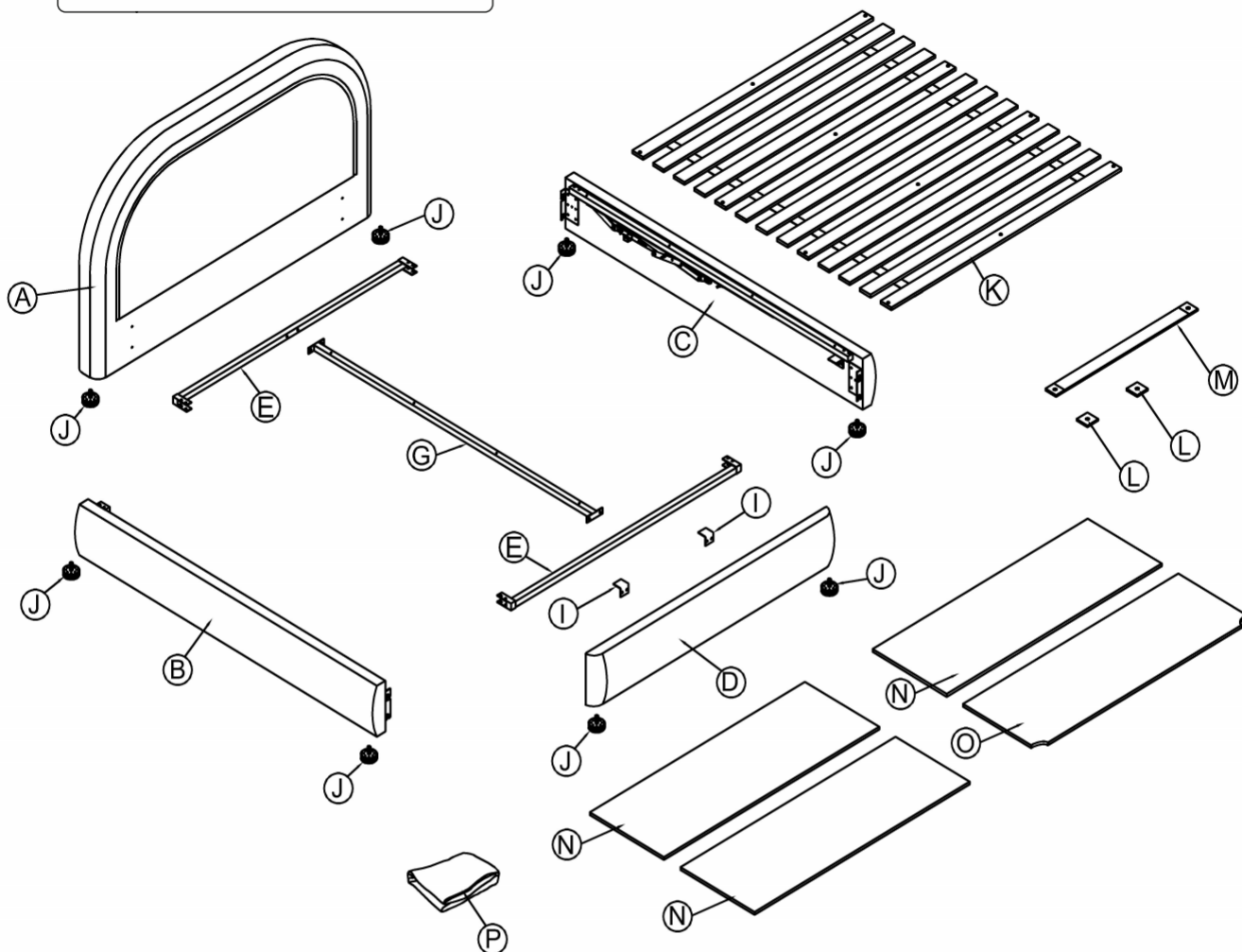
DO NOT over-tighten screws or use a drill. Only professional assemblers should use a drill.











If you need further assistance, please contact us via www.castlery.com/contact-us.

Overview

 Batch code label is located the headboard back.



 **x2**  **x2**  **90 mins**

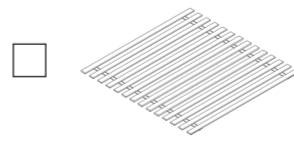
-  **IMPORTANT: 2 persons needed for assembly.** This will help to minimize potential damage to the product or injury to persons during assembly.
-  There are inner box(es) that include components required to complete this assembly.
-  Please do not completely tighten all the hardware, until each assembly step is complete.
-  Before discarding the packaging, please use the checklist to ensure that you have all the parts required to assemble your product. Please kindly note if applicable please keep the original package when you want to return the product later.
-  If parts are missing or damaged, we will gladly ship your replacements parts free of charge. Please contact us via www.castlery.com/contact-us. Illustrations in this guide are for reference only and may be slightly different from the actual object.

Parts

BOX 1 OF 2



Ⓐ Headboard
x1



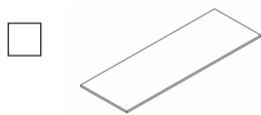
Ⓚ Slat
x1



Ⓟ Cover
x1



Ⓜ Fabric Handle
x1

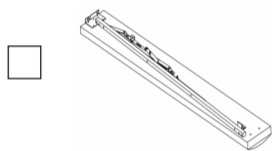


Ⓝ Bed Board
x3

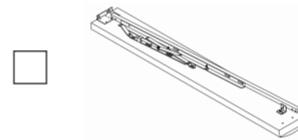


Ⓞ Bed Board
x1

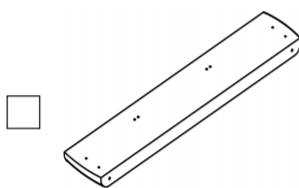
BOX 2 OF 2



Ⓑ Side Rail L
x1



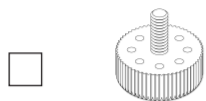
Ⓒ Side Rail R
x1



Ⓓ Footboard
x1



Ⓔ Head & Foot Rails
x2



Ⓙ Bed foot
x8



Ⓞ Center Rail
x1



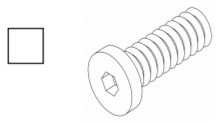
Ⓛ Iron Plate
x2



Ⓢ L-Shaped Metal Plate
x2

Hardware

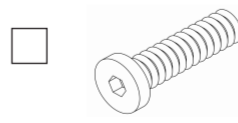
BOX 2 OF 2



①

Bolt M8*25mm

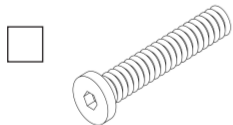
x20



②

Bolt M8*30mm

x8



③

Bolt M8*45mm

x8



④

Spring Washer

x24



⑤

Flat Washer

x24



⑥

Nut

x12



⑦

Allen Key

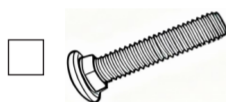
x1



⑧

Wrench M13

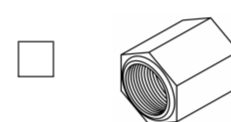
x1



⑨

Bolt M8*35mm

x2



⑩

Long Nut M8*13mm

x2



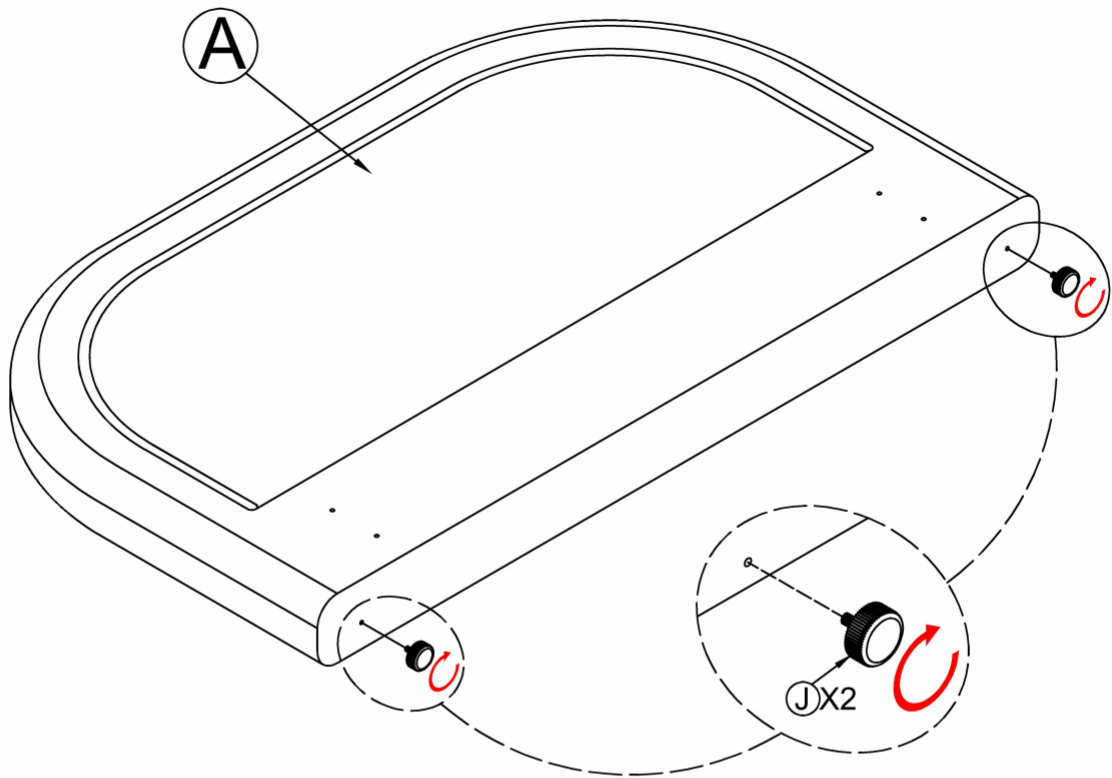
⑪

Wrench M14

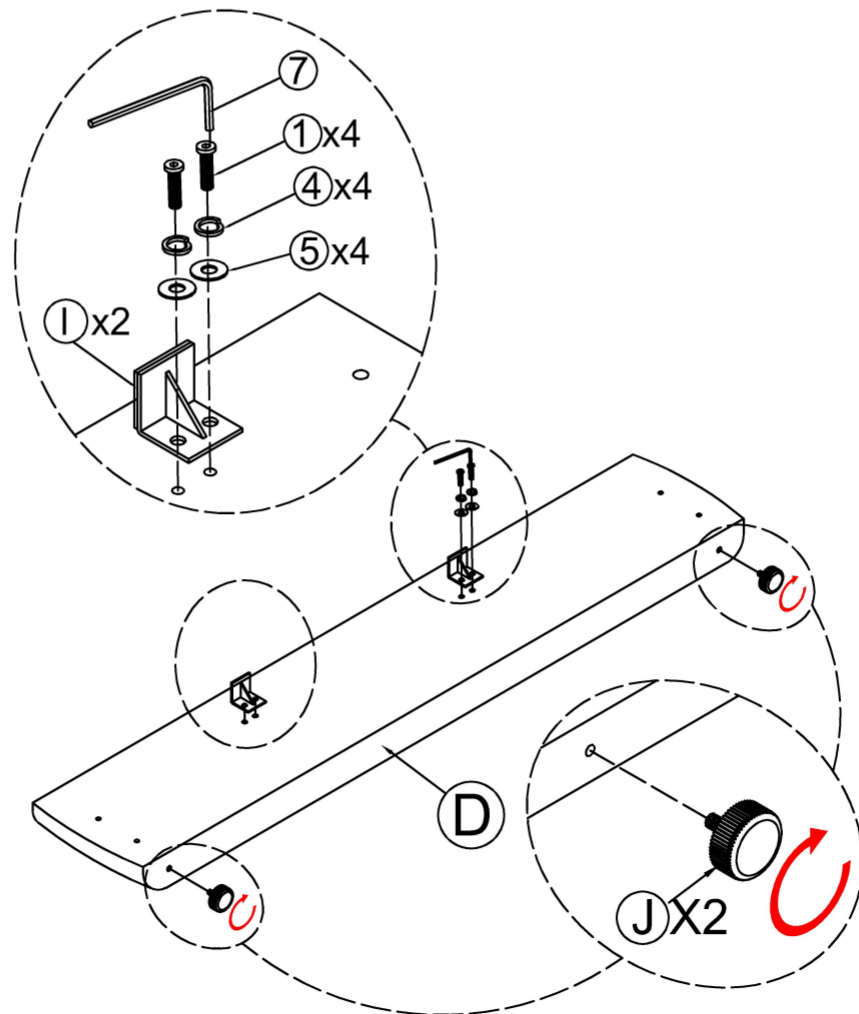
x1

***You might need a screwdriver (+/-) to complete this assembly.**

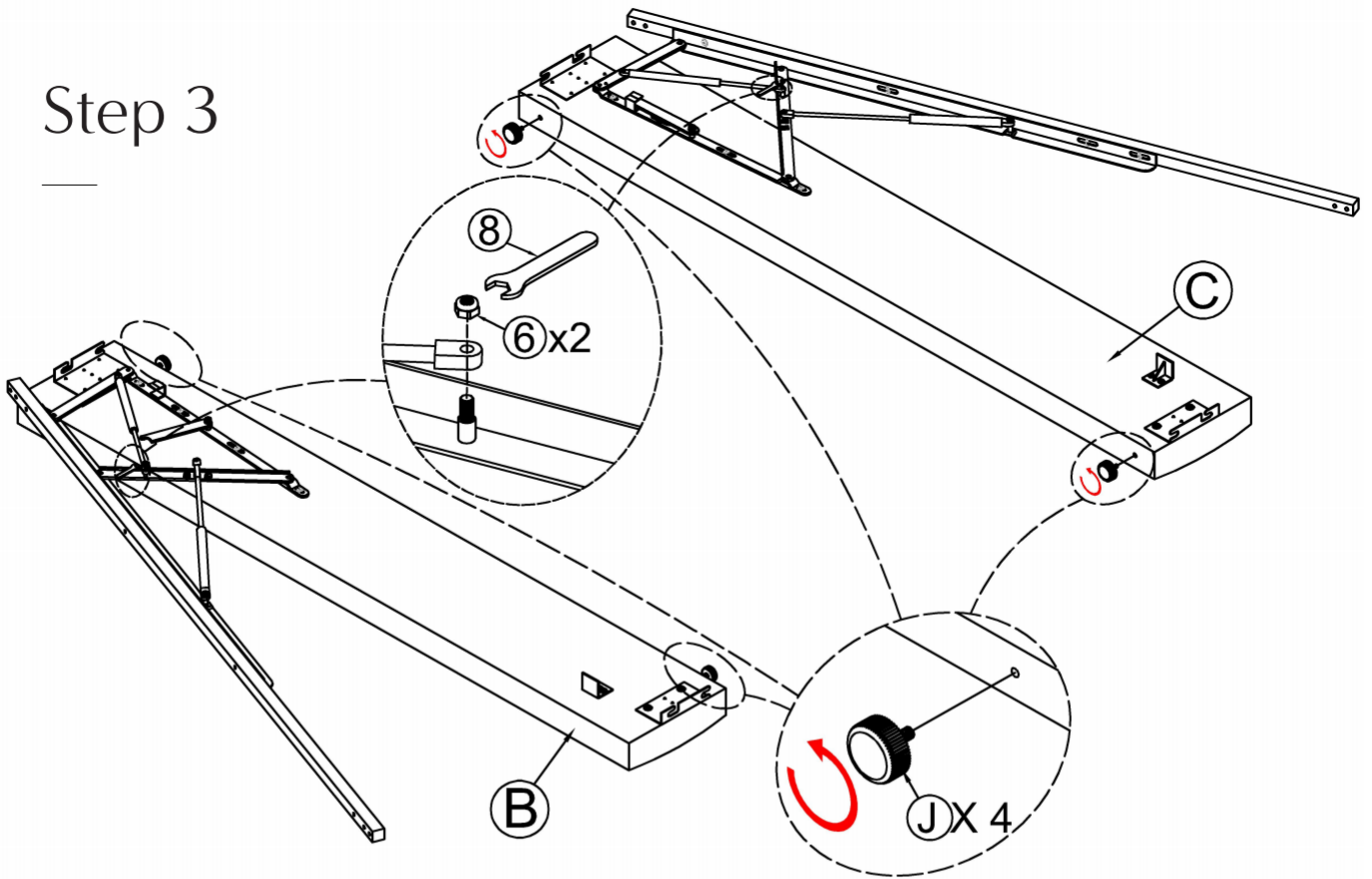
Step 1



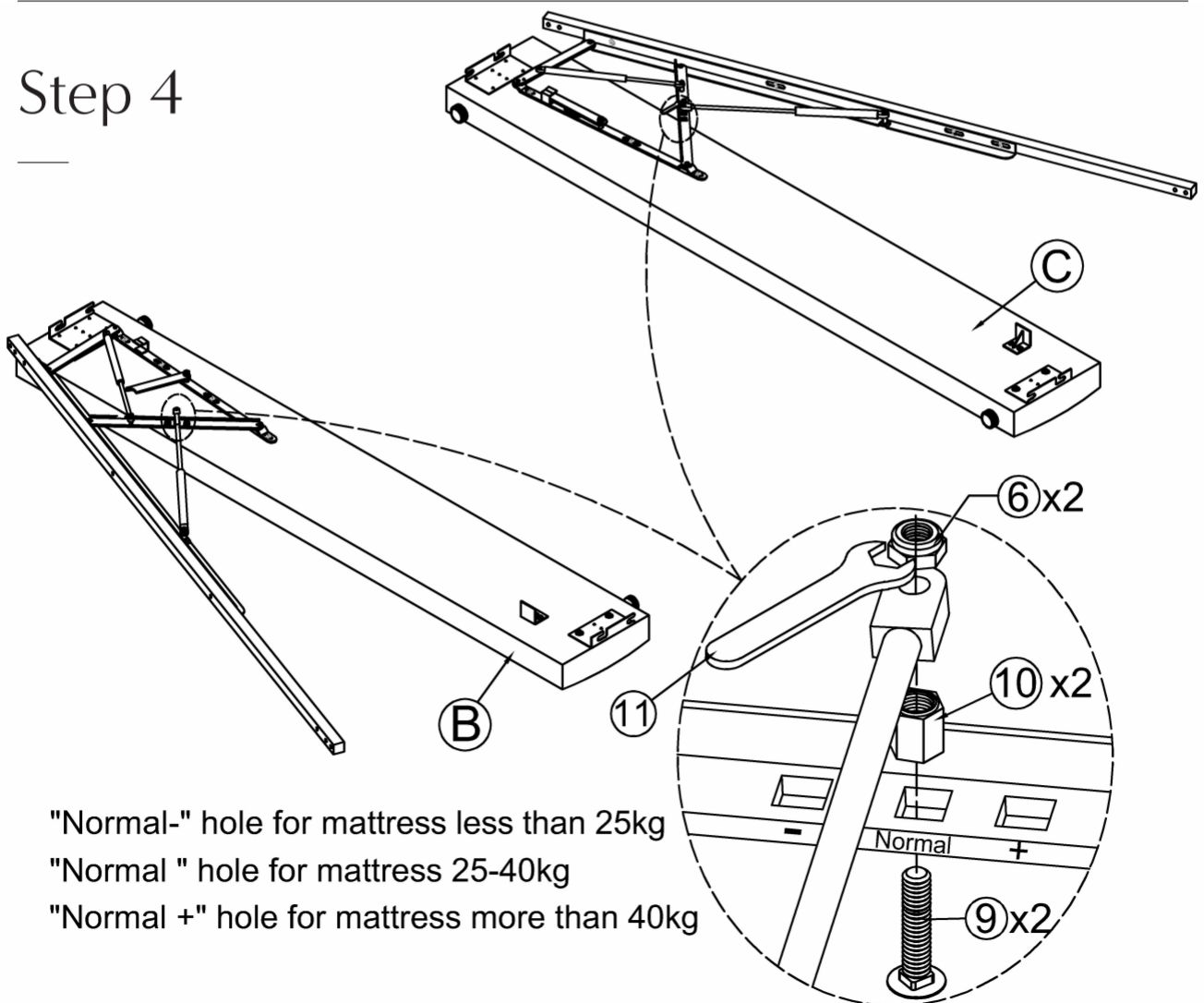
Step 2



Step 3



Step 4

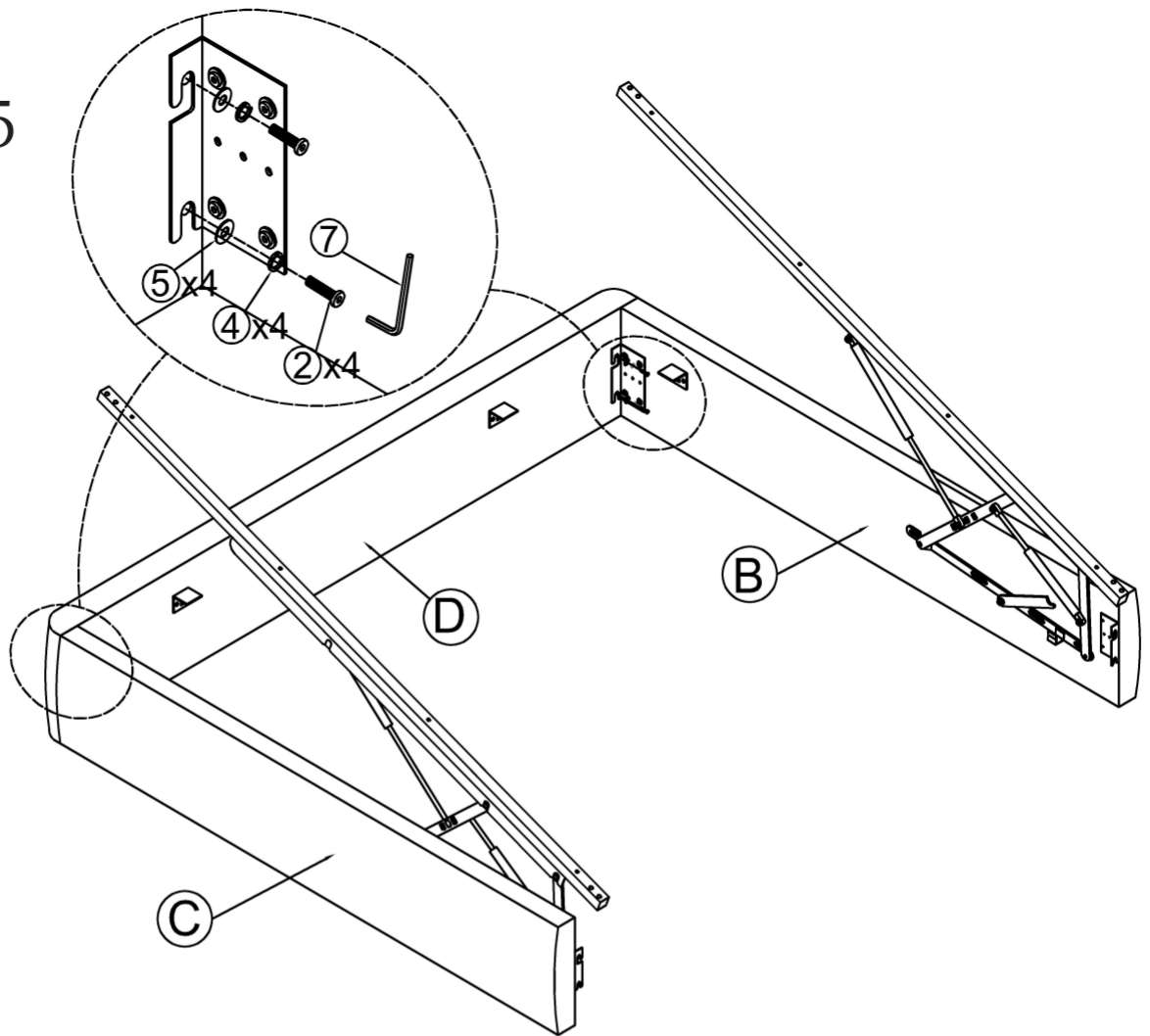


"Normal-" hole for mattress less than 25kg

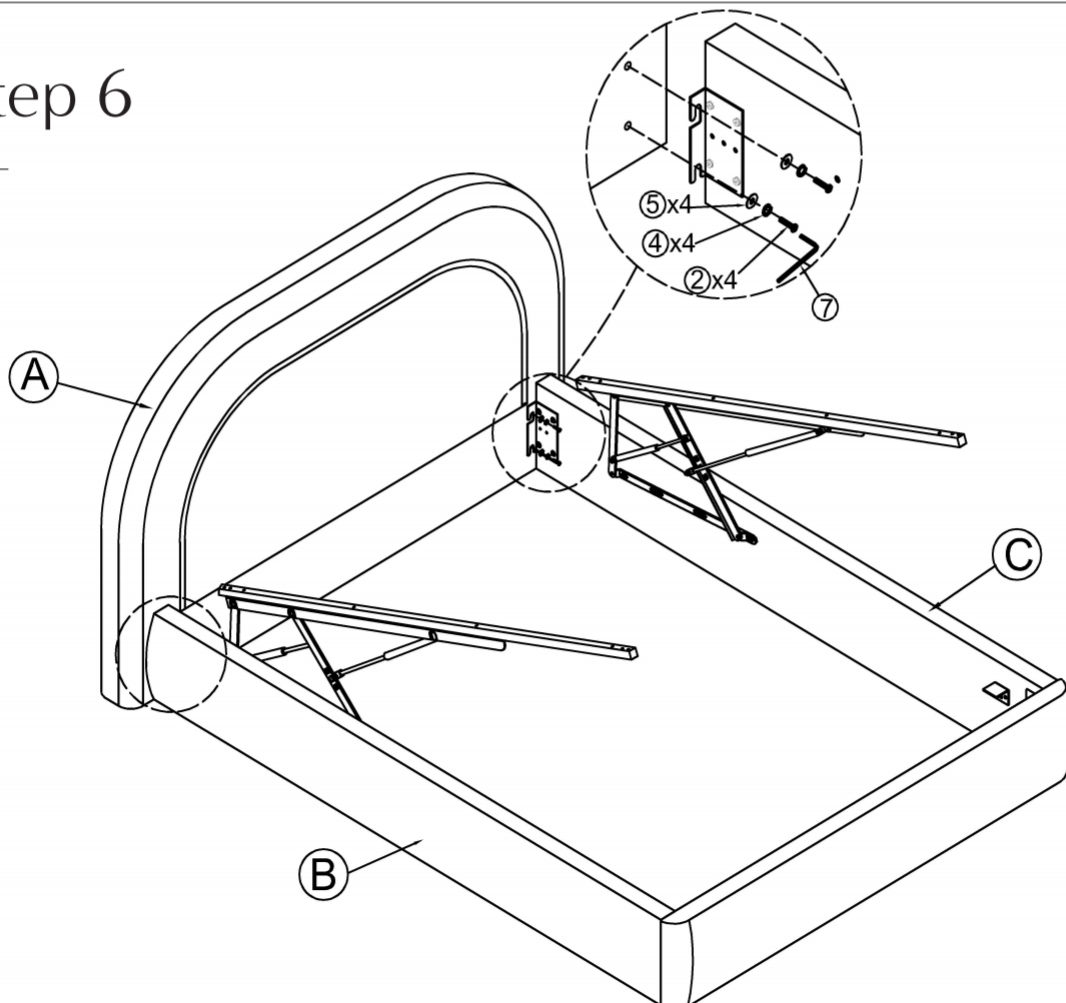
"Normal " hole for mattress 25-40kg

"Normal +" hole for mattress more than 40kg

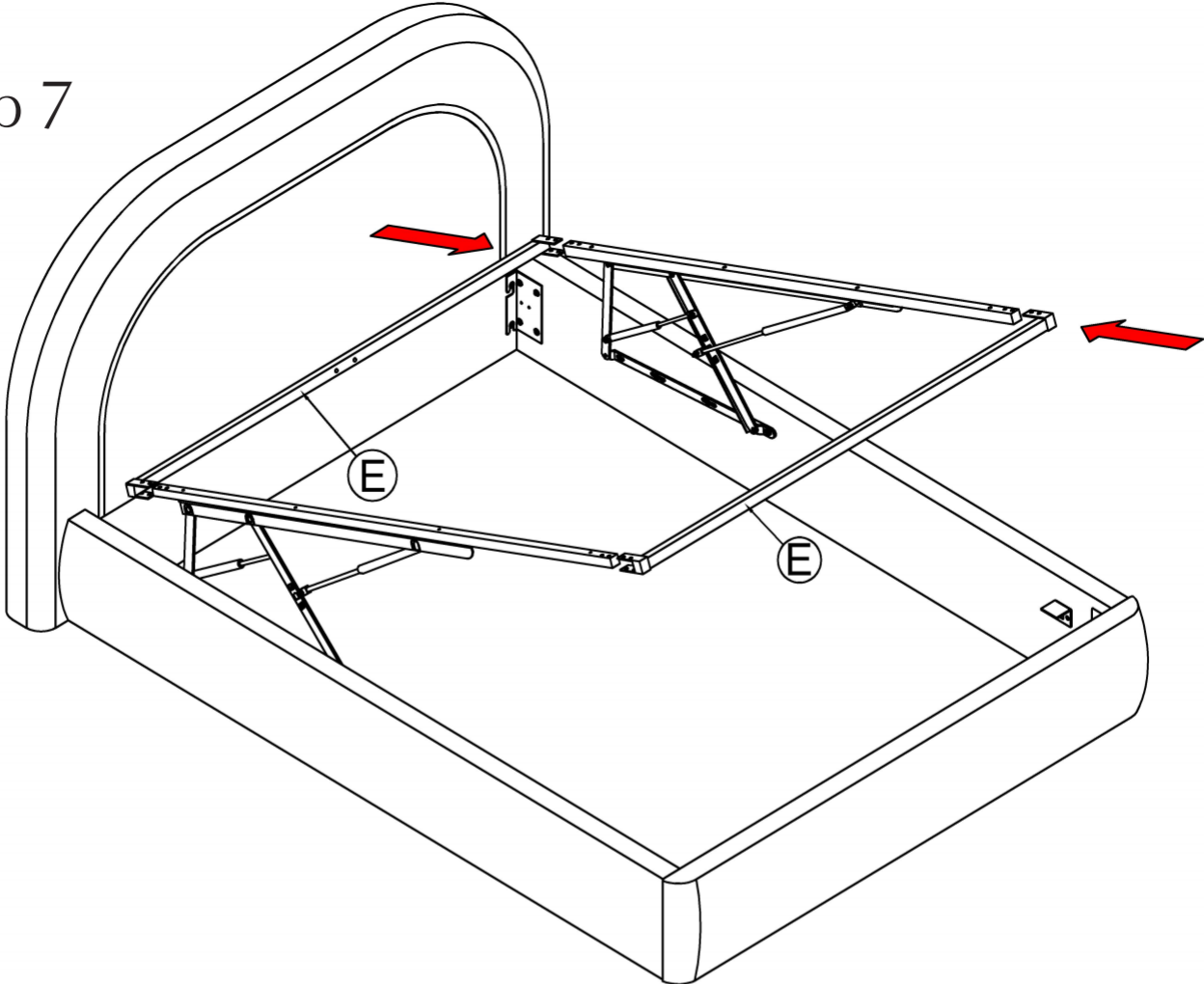
Step 5



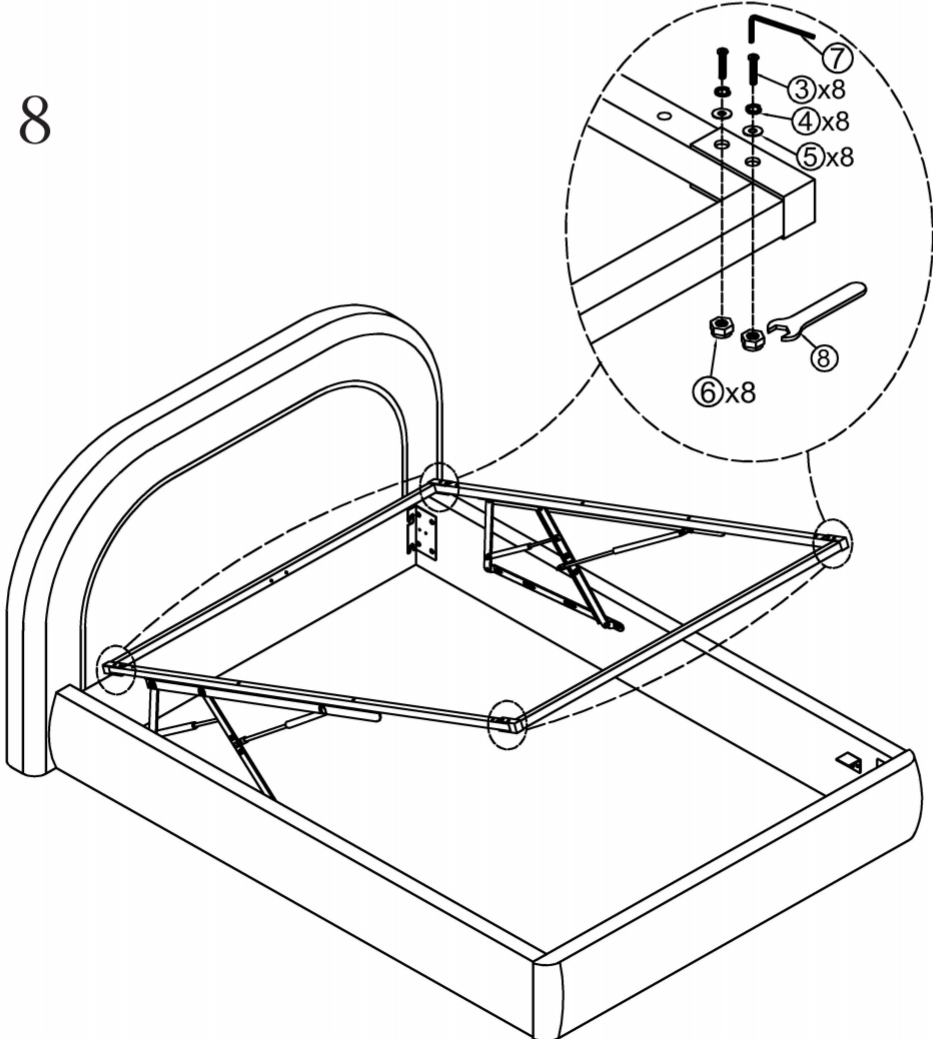
Step 6



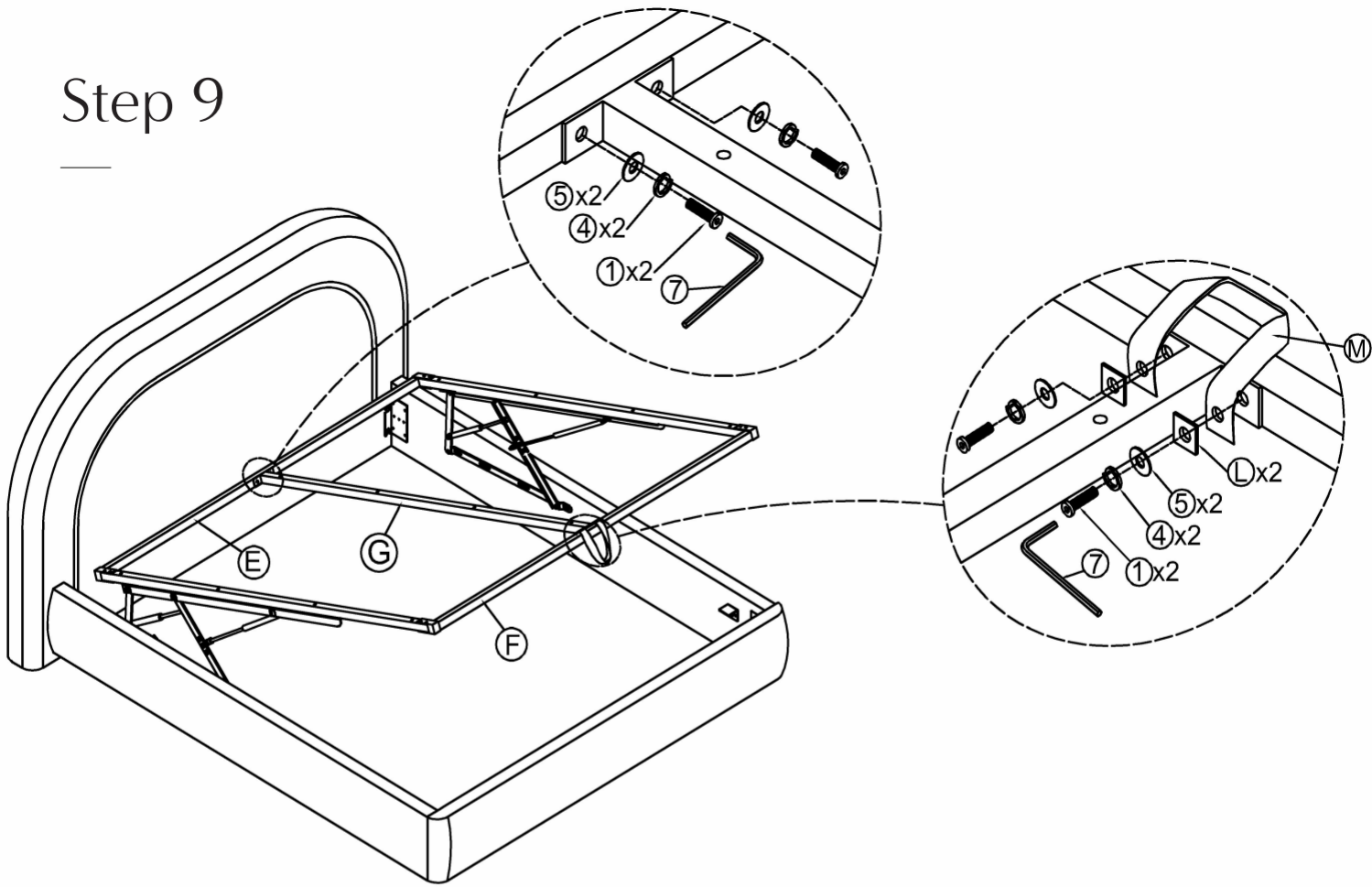
Step 7



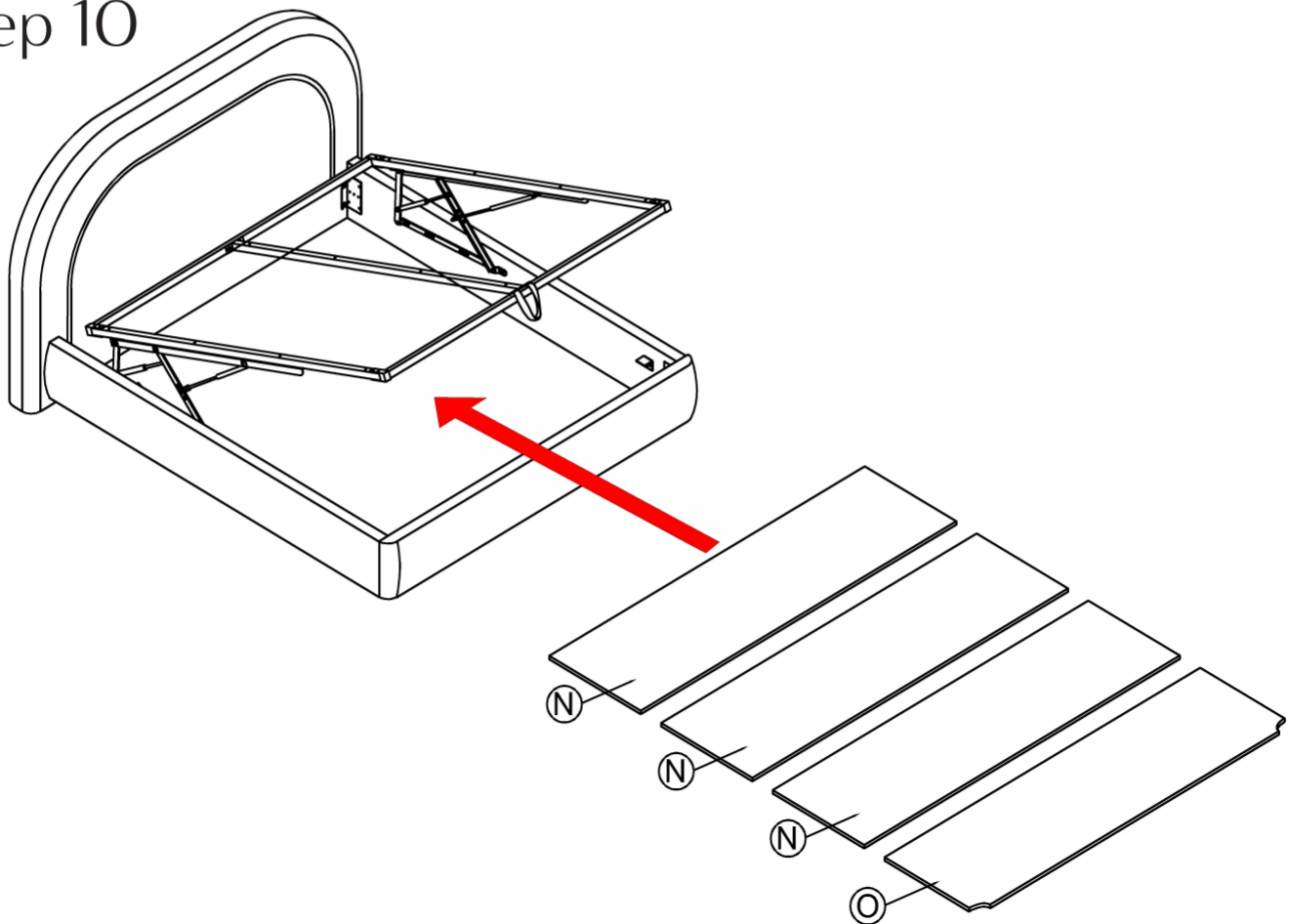
Step 8



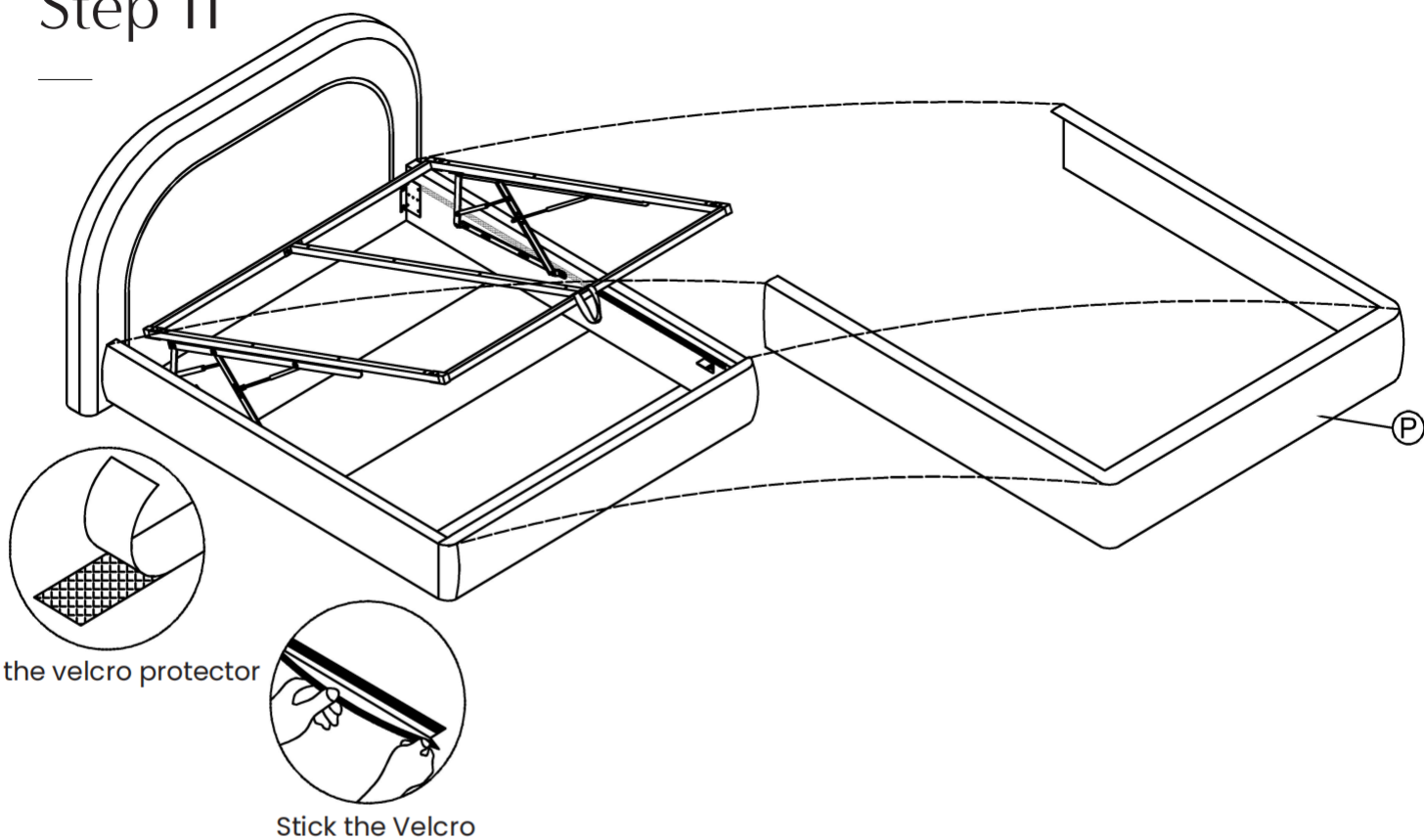
Step 9



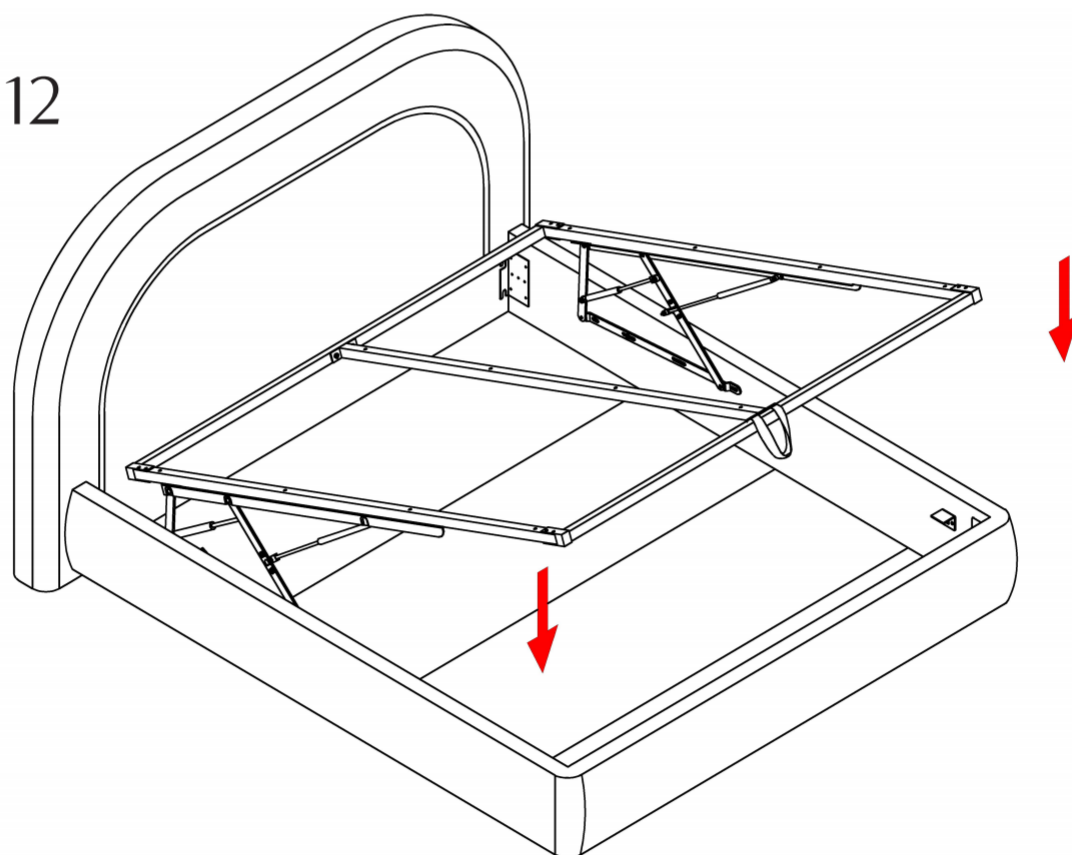
Step 10



Step 11

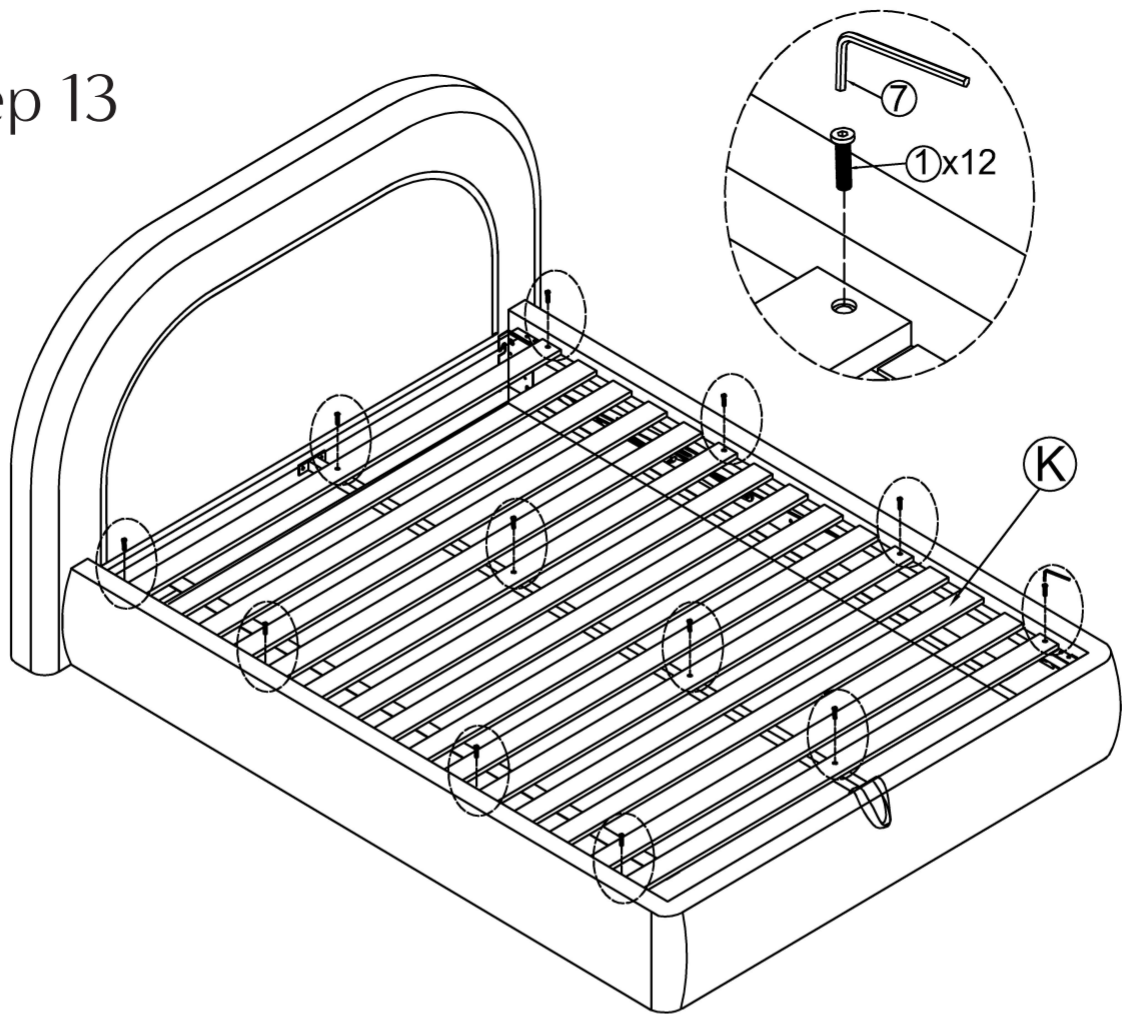


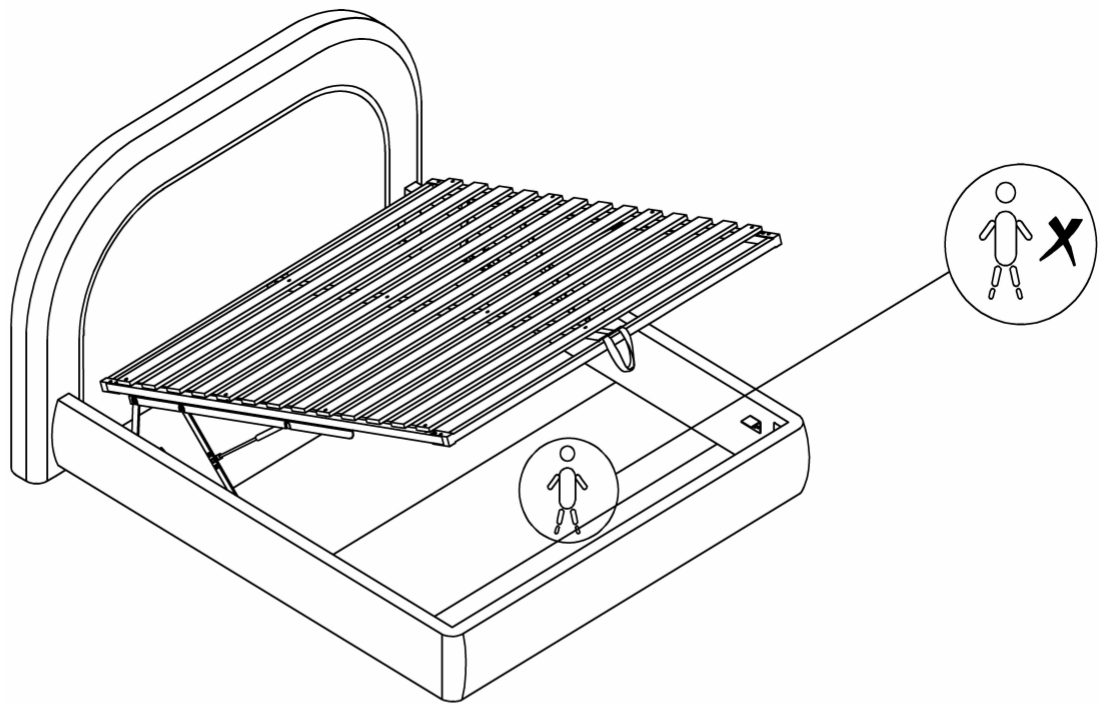
Step 12



Please note that pressing the metal frame down may require more force when the mattress is not in position. This is normal.

Step 13





WARNING:

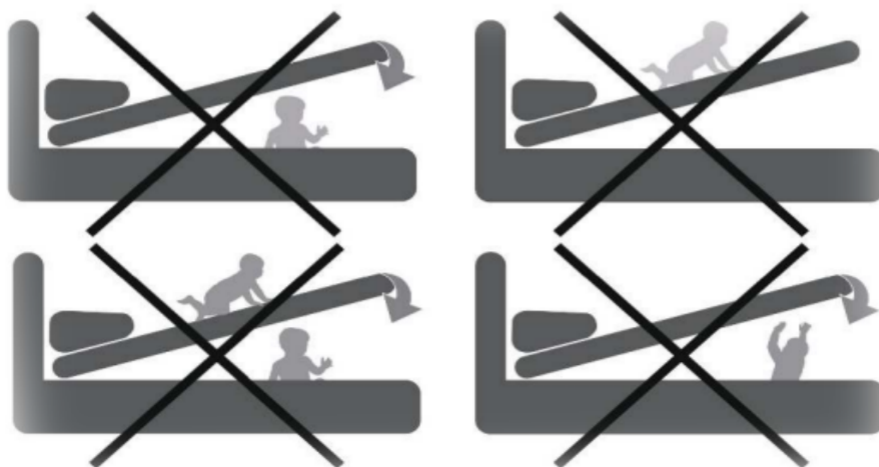
Never allow children near the bed when opening & closing it to prevent accidents.

Specifically. Do NOT allow children to:

- Sit inside of the storage bed while it is open.
- Hang from the strap that is used to open the bed.
- Climb on top of the mattress while the storage bed is open.

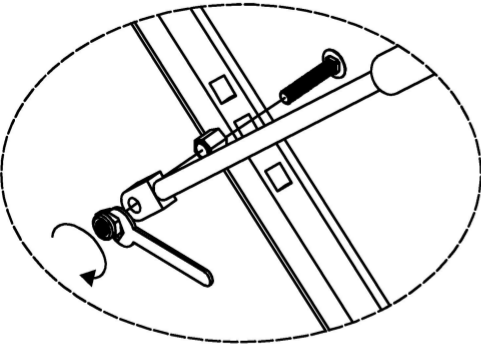
Failure to heed this warning could result in a serious injury, suffocation, and even death

- Always be careful not to place hands near or under the hinges when opening & closing the bed. Failure to heed this warning could result in serious injury to fingers & hands.
- Do not stand, jump or sit on the slats. Failure to heed this warning could result in serious injury.
- Do not open the storage bed when there is no mattress on top of it.
- Never move the bed frame while the storage portion is open.
- Do not use the product if it is damaged or showing signs of malfunction.



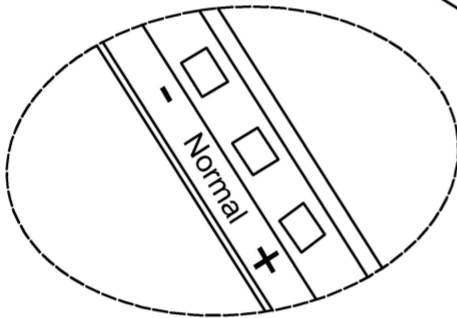
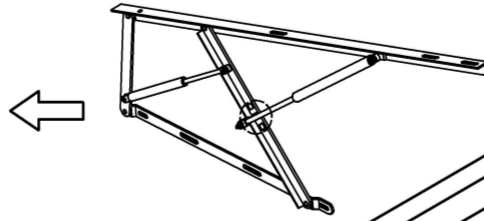
IMPORTANT SAFEGUARDS
THE BASIC SAFETY PRECAUTIONS LISTED
ABOVE SHOULD BE FOLLOWED.

ADJUSTABLE GAS SPRING PRESSURE

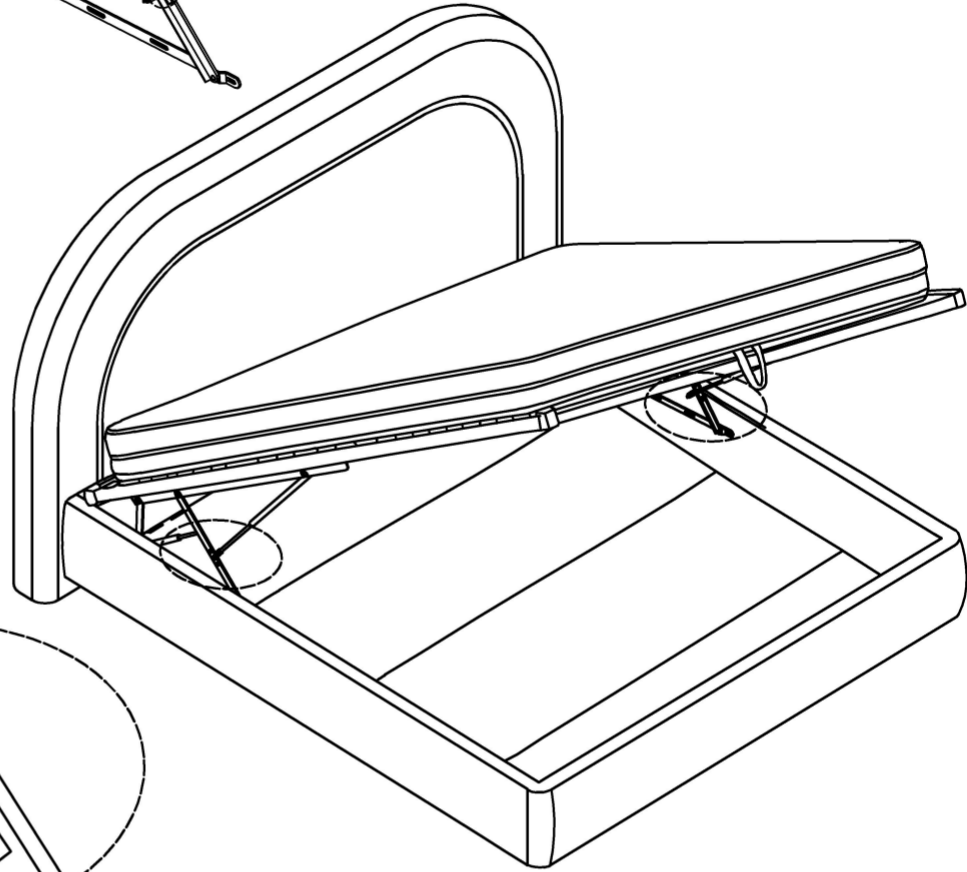


Remove the nut and then install to other hole.

*** For safety,
three persons required**



Difficult to open? adjust to "normal" or "normal +"
Difficult to close? adjust to "normal" or "normal -"



Finished!

Congratulations, we're almost there!
Please perform the following checks:

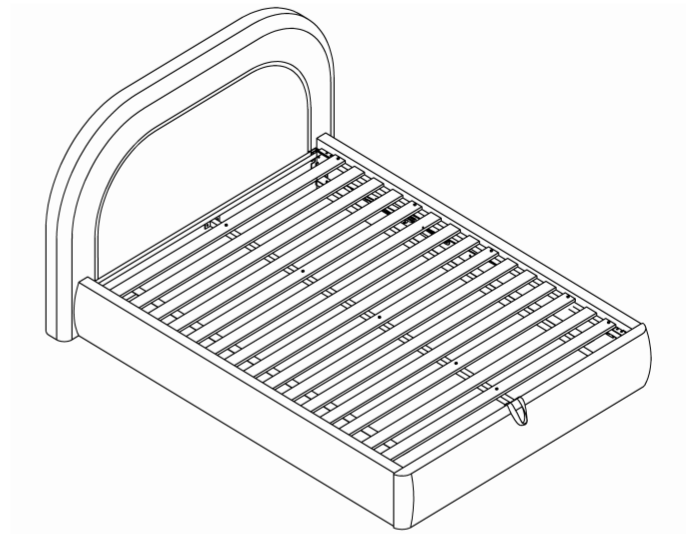
1. Do not miss any components.
2. Ensure all bolts are tightened.

Always lift your Castlery product when moving it to your preferred location. Levelers (if any) may slant if you drag your product.

Finally, dust the product with a clean cloth (if needed).

You're all set! Enjoy your new living space, thanks to the addition of your Castlery product.

Note: Your actual product may have minor size differences due to manual measurements.



Care

Instructions

Your furniture, if treated with respect and love, will last you a long time. Each piece requires light maintenance to maximize its longevity.

Upholstered Bed Care

- Always move the bed by lifting it at the base, do not drag.
- Avoid prolonged exposure to direct sunlight and keep furniture away from any heating source to prevent fading or discoloration.
- Vacuum the surface regularly to remove any dust particles.
- Blot spills immediately and gently with a clean microfibre cloth. Do not rub.
- Professional cleaning is advised for tough stains.
- Avoid abrasive cleaners and placing rough or sharp objects on the surface.

Follow the care instructions and look after your furniture. In return, your furniture will look after you. For more information on our care instructions, visit our product website at www.castlery.com.

We hope to see you soon!