

Specification Brochure 2023-24

Dudley 



Helping you find **the right solution for your project**



Welcome to our Specification Brochure 2023

TYDE are committed to building long term partnerships based on our core values of Teamwork, Partnership and Family.

We have worked with a variety of specifiers to create high-quality solutions for a wide

range of market sectors, from prisons to hospitals, from castles to night clubs.

You can find our website at: www.thomasdudley.co.uk/tyde



British design,
British build,
Family business



6,000
trusted plumbing parts

100
years experience

Professional Market-Leading Bathroom & Washroom Solutions

We combine the products and expertise across our five brands, Dudley, Epson, Beta, Resan and Cronex, to bring you a one-stop solution for your plumbing requirements. Each of our brands have been carefully designed to include a specific range of products allowing you to quickly and easily find the products you are looking for.

- Experienced specification technical support managers
- Personal visits to discuss the project brief in detail, time-scale and your planned design concepts and requirements
- Sample availability for sample rooms and trials
- Ongoing project management from concept design to handover and close
- On-site commissioning, training and support for contractors and facilities managers
- UK manufacturer; spare parts readily available
- Autocad Revit BIM objects to BIM level 2 and 3 (PAS 1192)
- Made in Britain initiative backing UK manufacturers
- WRAS approved products, an in-house Test facility that undertakes testing to National standards and UK Water Regulations
- Envirofacturing™ initiative ensuring that we offer an environmentally responsible source of supply
- Over 500 products registered under the European Water Label Scheme
- Certifications in BS EN ISO 9001 (Quality Management), BS EN ISO 14001 (Environmental Management) and BS EN ISO 45001 (Occupational Health & Safety Management)
- Gold verification status with Constructionline
- Listed on SpecifiedBy and NBS portals for specifiers, architects, engineers, designers and contractors research needs
- Our extensive expertise, cutting-edge technology and external accreditations enable the Dudley range to be specified with confidence



Residential



Commercial



Custodial



Healthcare



Sports & Leisure



Assisted Living



Offsite Construction

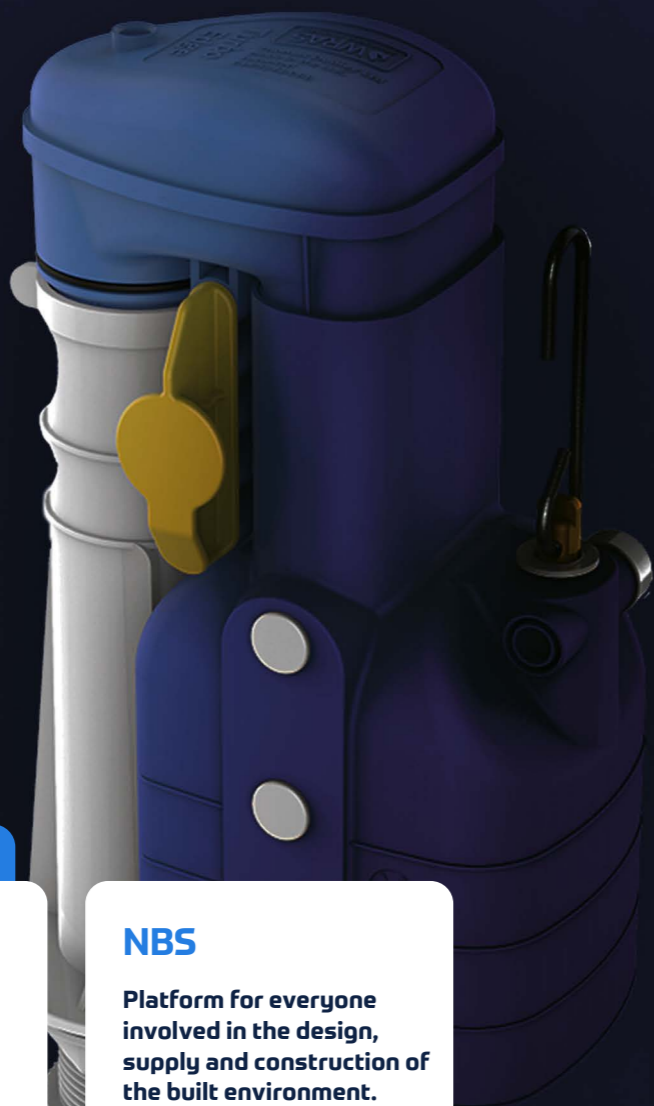


Contents

01	<h2>Wall-Hung Sanitaryware Frames</h2>		<ul style="list-style-type: none"> 14 WC PAN SUPPORT 21 BIDET 22 BASIN SUPPORT 23 SUPPORT BRACKETS 	
02	<h2>Buttons & Plates</h2>		<ul style="list-style-type: none"> 26 DUALFLUSH BUTTONS 34 SINGLE FLUSH BUTTONS 39 DUALFLUSH PUSH PLATES 	<ul style="list-style-type: none"> 46 INFRA-RED PLATES 50 VANDAL-RESISTANT BUTTONS AND PUSH PLATES
03	<h2>Touch-Free</h2>		<ul style="list-style-type: none"> 56 TAPS 62 SOAP DISPENSERS 	<ul style="list-style-type: none"> 64 WC CONTROLS
04	<h2>Concealed Cisterns</h2>		<ul style="list-style-type: none"> 68 OSMO F1 70 OSMO T1 72 VANTAGE 74 PRESTIGE 	<ul style="list-style-type: none"> 76 MINIFLO 78 PHANTOM 80 PUSHFLO
05	<h2>Compatibility</h2>		<ul style="list-style-type: none"> 82 BUTTON, CISTERN & FRAME COMPATIBILITY 	
06	<h2>Urinal Flushing</h2>		<ul style="list-style-type: none"> 86 URINAL CONTROLS 90 AUTO CISTERNS 92 ACCESSORIES 	
07	<h2>Resan Sanitaryware Range</h2>		<ul style="list-style-type: none"> 96 PANS 102 BASINS 116 URINAL 	<ul style="list-style-type: none"> 118 MIRROR / SHELF 122 CONTROLS 124 OPTIONS



Professional Support



Helping you find the right solutions

We specialise in providing innovative plumbing solutions for specifiers across a wide range of market sectors.

At TYDE we pride ourselves on having in-depth knowledge and experience of our market, our sales team alone has acquired over 100 years of combined industry experience!

Whether you are looking for a high-grade toilet cistern frame or an innovative flushing solution we will have a range of products to meet your needs.

The technical customer support package provided by TYDE is unmatched. From dedicated phone lines to in-person site visits, our highly experienced team is available to guide you through any technical issues you may encounter.

SPECIFICATION PORTALS

Specified By

Find, Research & Compare Building Products in Minutes.



NBS

Platform for everyone involved in the design, supply and construction of the built environment.



DID YOU KNOW?

Project Support

Our team will be able to assist in creating the exact specification required, to ensure a smooth transaction throughout and are trained to identify potential issues and offer solutions; working closely with our clients.

6,000 Products

Our specification team can identify relevant product categories from our extensive range. Alternatively they can work with clients on creating bespoke solutions, to meet exact needs.

Water Regulations Compliant

We test our products for compliance against UK Water Regulations in our own UKAS accredited Test Laboratory to then be submitted to WRAS for Approval & Certification.

Innovations

DESIGN

height adjustment guides

40% smaller than turbo 88

smaller than turbo S1-11

smaller than fm ultra

light touch activation and superior flushing performance

retrofits onto all Dudley downlegs

simple to install and service

captive yellow pin does not have to be fully removed

TYDE manufactures superior quality plumbing products in our dedicated and ultra-modern facilities here in the UK.

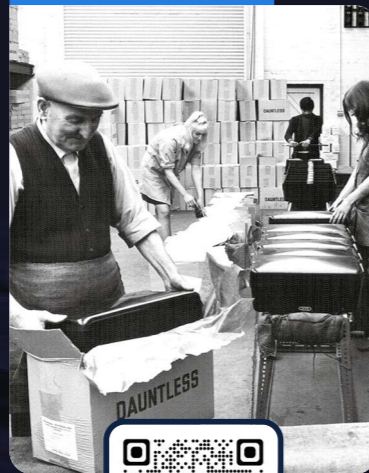
With a range of plumbing products that are suitable for multiple markets, we take pride in being able to cater to different market segments. Due to their user-focused design, our products are both high-quality and long-lasting.

Manufactured and tested in our state-of-the-art facilities in Dudley UK; we rigorously test our products to meet stringent requirements of the UK Water Supply [Water fittings] regulations 1999. With our brand, you can be sure you're installing a high-quality, fully tested product.

Meet The Experts



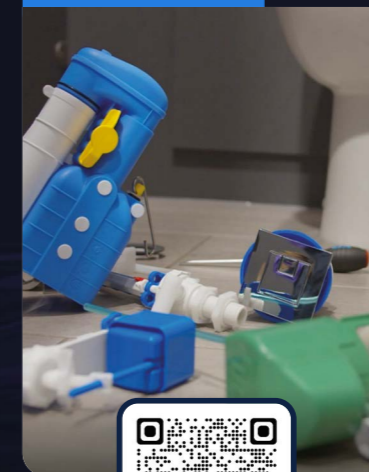
Our History



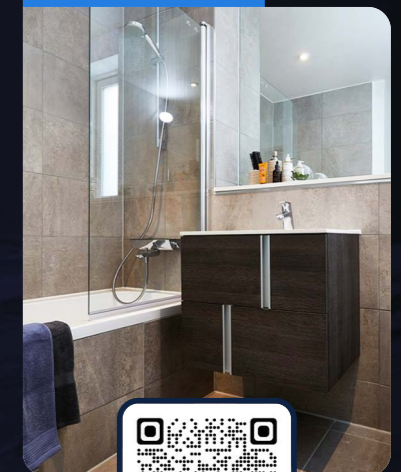
How To



FAQs



Case Studies



New Products



OSMO® F1 The World's first front access syphon cistern

TOILET CISTERNS // WASHROOM FILL & FLUSH

- Compatible with the Dudley Turbo Edge®
- Guaranteed Leak Free Flush
- Unique Patented front-access system
- Type AB weir overflow [Fluid Category 5 compliant]
- Easily serviceable by non-professionals
- Ergonomically designed
- Unique registered design flush handle available in multiple finishes
- Light touch operation
- Dual flush control
- Actuator sold separately [see finishes available on page 68]

Type	Code
OSMO® F1, Right Hand Actuator	371854
OSMO® F1, Left Hand Actuator	371855



Unique registered design flush handle available in multiple finishes:

- Chrome
- Matt Black
- Brushed Brass
- Brushed Nickel



Guaranteed leak-free flush mechanism.

TYDE's OSMO® F1 is the world's first front access serviceable syphon cistern, fitted with the **New Dudley Turbo Edge® syphon**, designed for use with WC furniture and IPS panelling. Manufactured in the UK by Thomas Dudley, OSMO® F1 is a new innovative concealed cistern designed to be stylish, versatile and easy to fit and service with minimal disruption to WC furniture or panelling.

- The World's first front access syphon cistern



Visit our website



New Products



OSMO® T1 The World's first fluid category 5 certified cistern

Multiple inlet and outlet options.

TYDE's OSMO® T1 is a top access concealed reversible cistern with **AXIS technology™** creating multiple inlet and outlet options as standard for pod applications.

Perfectly designed to be mounted behind IPS, within compact voids or on timber and steel framed pods.

Manufactured in the UK by TYDE, OSMO® T1 is a new innovative concealed cistern designed to easily achieve multiple inlet / outlet options. The OSMO® T1 is suitable for both standard and bespoke height pod shelves and is fully water regulations compliant.

- The World's first fluid category 5 certified cistern

Visit our website



TOILET CISTERNS // WASHROOM FILL & FLUSH

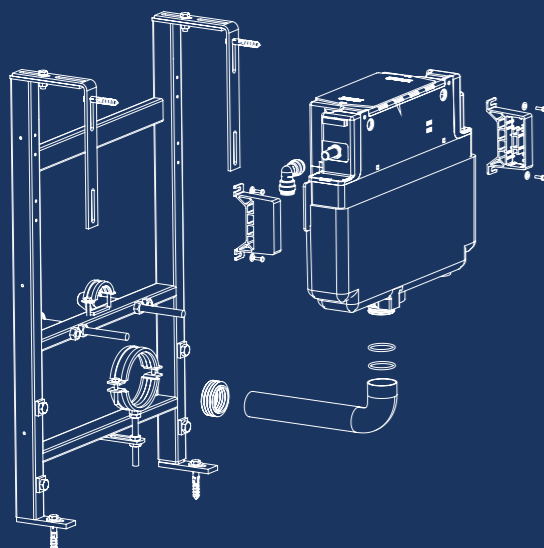
- Unique reversible cistern body due to **AXIS Technology™** achieving multiple outlet and inlet options
- Available with offset flush outlets and varying flush volumes
- Flush Pipe Stability System (FPSS™) with SureLock™ Bracket
- Fluid category 5 cistern; the only way to achieve a water regulations compliant WC suite in standard height pod shelves
- Easy top access with reversible SnapLock lid™
- Factory Assembled

Product	Code
OSMO® T1	377201



Wall-Hung Sanitaryware Frames

BETTER BY DESIGN



Whether you are planning a new project or modernising your existing bathroom our Illusion range provides a versatile and simple solution to ensure a hassle free installation with the freedom to design the optimum bathroom.

The ranges unique design offers unrivalled flexibility, is ideal for use in most domestic and commercial applications and provides a proven solution behind panelling, tiles and in fitted bathroom furniture to provide a bespoke water saving solution.

BETTER BY DESIGN

The Dudley range of Illusion Support Frames are ideal for use with most wall-hung sanitaryware.

They also provide a proven solution behind panelling and tiles and in fitted bathroom furniture.



Please see Button, Cistern and Frame Compatibility Chart on Pg 82

01 Wall-Hung Sanitaryware Frames

WC Pan Support

Illusion A™

FRAMES // WASHROOM FILL & FLUSH

Height adjustable wall-hung WC pan support frame designed for use against flat walls and in corners

Water Saving

- Provides 6/4 litre dualflush and quickly and easily converts before or after installation to 5/3 or 4/2.6 litre dualflush
- Delay fill Hydroflo inlet valve only allows cistern to start refilling once flushing is complete, saving up to 0.5L of drinking water per flush
- European Water Label Scheme registered
- Supports BREEAM

Features

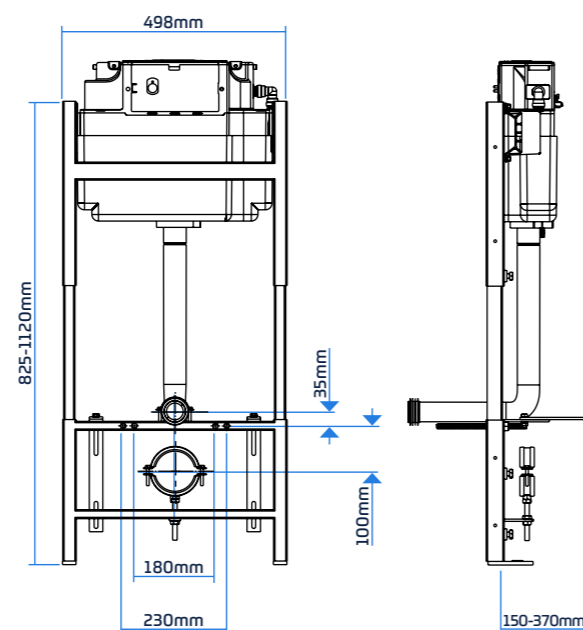
- Unique design enables frame height to be set between 825mm and 1120mm for unrivalled installation flexibility
- Height adjustable
- Legs adjust to offer WC pan height fixing flexibility

- Wall and floor fixing brackets can be fixed through 180° and 360° respectively to provide further flexibility
- Strong steel square hollow construction
- Blue powder coated finish and zinc plated wall and floor brackets
- Flushbend and WC pan connector clamps
- Integral factory fitted Dudley Vantage cistern
- 5L & 4L mono flush is achievable

Options

- A polystyrene cistern insulation jacket is available
- Category 3 and Category 5 cisterns available
- Can be supplied with a wide range of pushbuttons, plates and electronic sensors
- The Illusion A frame can also be supplied with an integral Phantom, lever operated cistern

Type	Code
Illusion A Frame, Vantage DF Cistern. No Button/Plate (With Jacket)	325685
Illusion A Frame, Vantage DF Cistern. No Button/Plate (No Jacket)	325686
Dudley Illusion A with integral Phantom™	334923



Technical Data	
Operation	Pneumatic
Pneumatic tube length	750mm
Inlet	Side
Outlet	Valve
Fixing Orientation	Wall and Floor Fixed
Height Adjustment	Min 825 - Max 1120mm
Load Capacity	Tested to 4kN

Illusion A™

Integral factory fitted Dudley Vantage cistern, available as standard with **Type AG air gap [Cat 3. back flow prevention]** & also available with **Type AB air gap [Cat 5. back flow prevention]**

Can also be supplied with an integral Phantom, lever operated cistern



Load tested to **4kN** to ensure compliance with **BS EN 997** when fitted with a **wall-hung pan**

Frame height to be set between **825mm - 1120mm** for unrivalled installation flexibility

Legs adjust to offer WC pan height fixing flexibility

Wall and floor fixing brackets can be fixed through **180° and 360°**

Flushbend & WC pan connector clamps

Blue powder coated finish & zinc plated wall & floor brackets

Visit our website



01 Wall-Hung Sanitaryware Frames

WC Pan Support

Illusion V™

FRAMES // WASHROOM FILL & FLUSH

The Dudley Illusion V wall-hung WC pan support frame is designed for use against flat walls and in corners

Water Saving

- Provides 6/4 litre dualflush and quickly and easily converts before or after installation to 5/3 or 4/2.6 litre dualflush
- Delay fill Hydroflo inlet valve only allows cistern to start refilling once flushing is complete, saving up to 0.5L of drinking water per flush
- European Water Label Scheme registered
- Supports BREEAM

Features

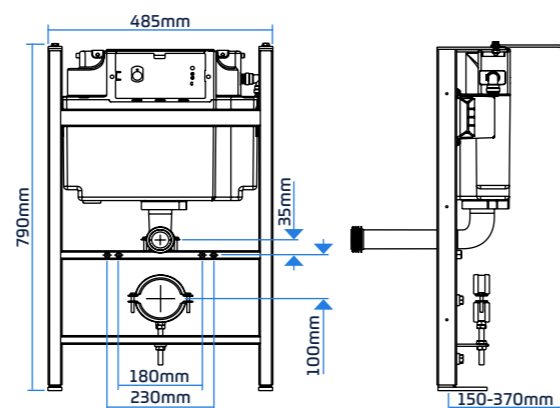
- Fixed height frame, legs adjust to offer WC pan height fixing flexibility

- Wall and floor fixing brackets can be fixed through 180° and 360° respectively to provide further flexibility
- Strong steel square hollow construction
- Blue powder coated finish & zinc plated wall & floor brackets
- Flushbend and WC pan connector clamps
- Integral factory fitted Dudley Vantage cistern
- 5L & 4L mono flush is achievable

Options

- A polystyrene cistern insulation jacket is available
- Category 3 and Category 5 cisterns available
- Can be supplied with a wide range of pushbuttons, plates and electronic sensors

Type	Code
Illusion V frame - with jacket no button or plate	323063
Illusion V frame - non jacket no button or plate	323139



Technical Data	
Operation	Pneumatic
Pneumatic tube length	750mm
Inlet	Side
Outlet	Valve
Fixing Orientation	Wall and Floor Fixed
Load Capacity	Tested to 4kN

Illusion V™

Integral factory fitted **Dudley Vantage** cistern, available as standard with **Type AG air gap [Cat 3. back flow prevention]** & also available with **Type AB air gap [Cat 5. back flow prevention]**

Load tested to **4kN** to ensure compliance with **BS EN 997** when fitted with a **wall-hung pan**



Strong steel square hollow construction

Flushbend & WC pan connector clamps

Blue powder coated finish & zinc plated wall & floor brackets

Legs adjust to offer WC pan height fixing flexibility

Wall and floor fixing brackets can be fixed through 180° and 360°

Visit our website



01 Wall-Hung Sanitaryware Frames

WC Pan Support

Illusion Universal™ / Compact Universal™

FRAMES // WASHROOM FILL & FLUSH

Height adjustable wall-hung WC pan support frames designed for use against flat walls, in corners, perfect for bathroom furniture and other confined spaces.

Features

- Comes with flushbend and WC pan connector clamps
- Legs adjust to offer WC pan height fixing flexibility
- Wall and floor fixing brackets can be fixed through 180° and 360° respectively to provide further flexibility

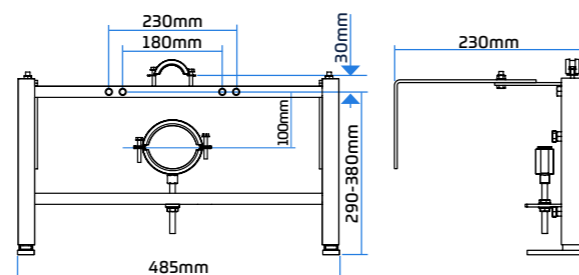
- Strong steel square hollow construction
- Illusion Compact Universal comes with a width of 345mm; perfect for bathroom furniture and other confined spaces
- 5L & 4L mono flush is achievable

Options

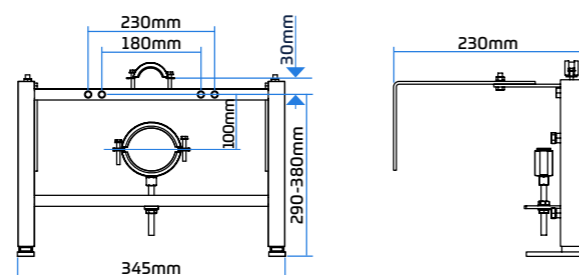
- Can be installed in conjunction with all Dudley concealed cisterns to provide a tailor made solution for every project

Product	Code
Dudley Illusion Universal	314802
Dudley Illusion Compact Universal	323082

Dudley Illusion Universal™



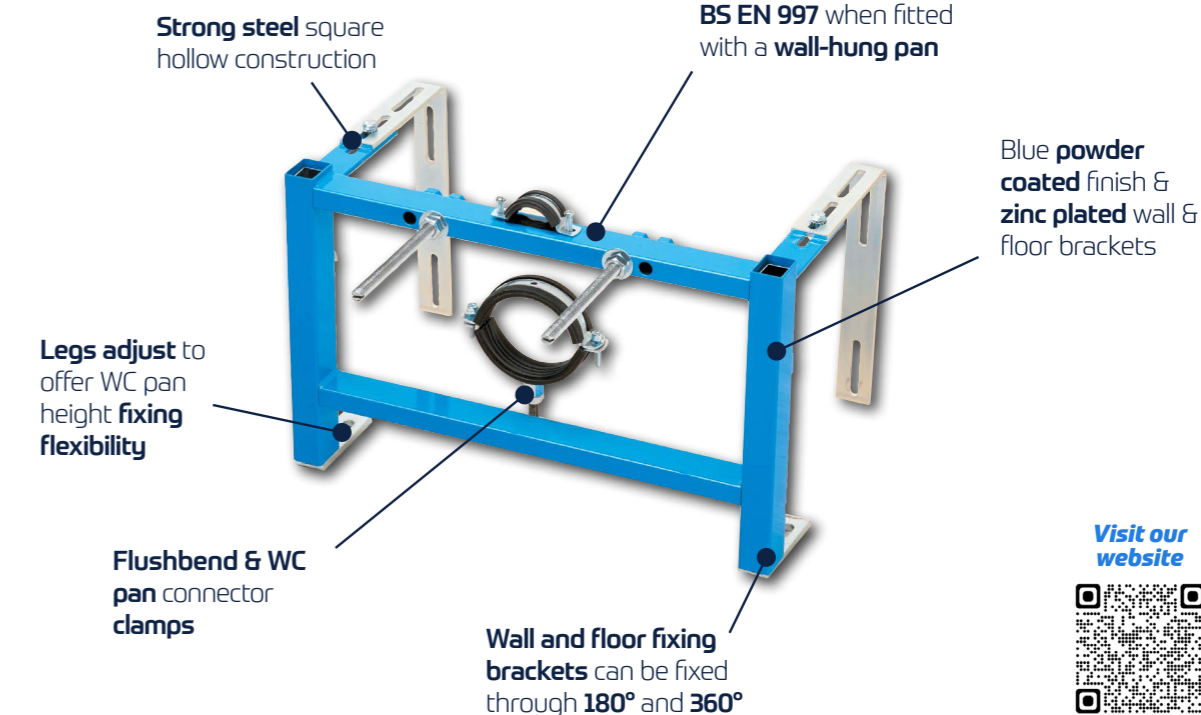
Dudley Illusion Compact Universal™



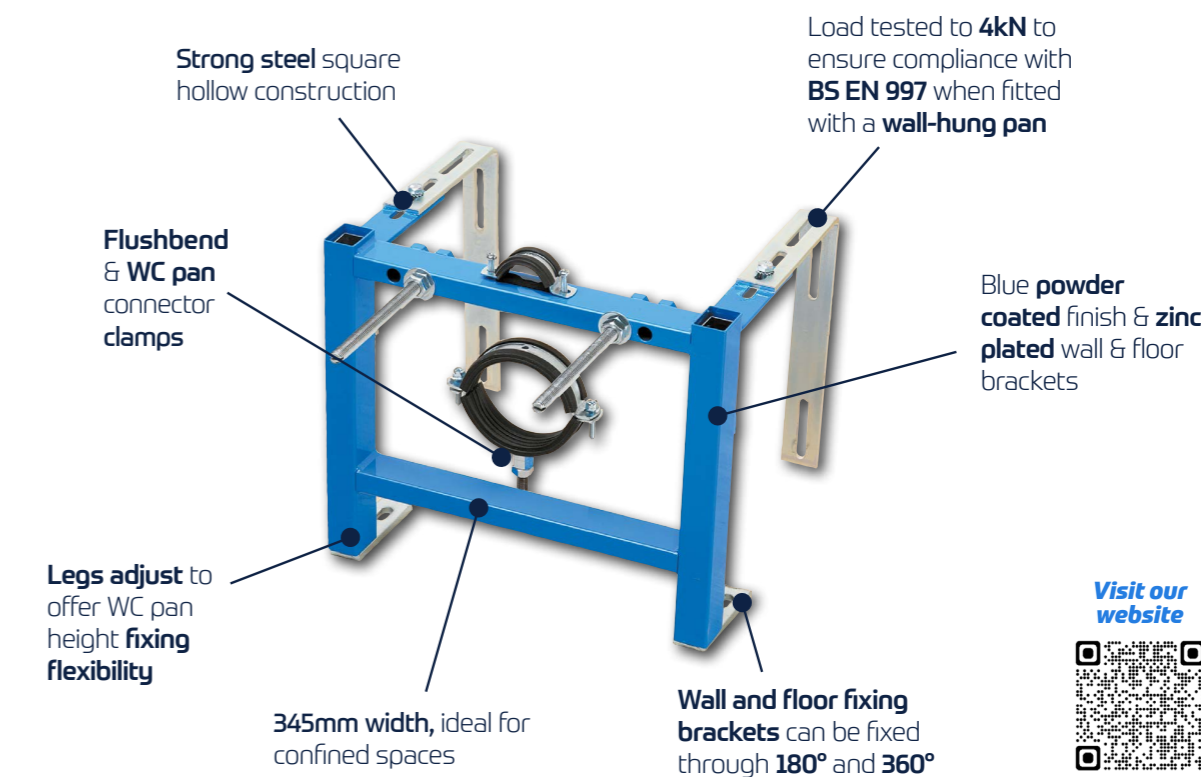
Technical Data

Fixing Orientation	Wall and Floor Fixed
Load Capacity	Tested to 4kN

Illusion Universal™



Illusion Compact Universal™



01 Wall-Hung Sanitaryware Frames WC Pan Support

Illusion Freestanda™

FRAMES // WASHROOM FILL & FLUSH

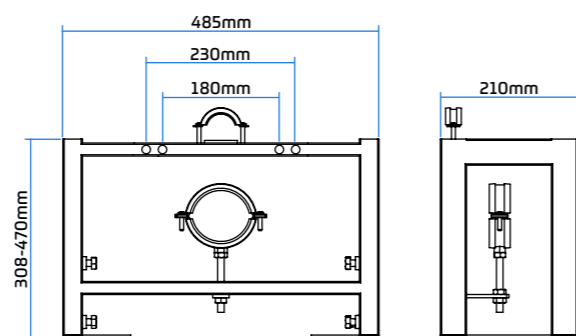
Free-standing height adjustable wall-hung WC pan support frame. Can be used against flat walls and in corners

Features

- Sturdy floor fixing brackets remove the need for rear wall fixing
- Legs adjust to offer WC pan height fixing flexibility
- Strong steel square hollow construction
- Blue powder coated finish & zinc plated wall & floor brackets
- Flushbend and WC pan connector clamps
- 5L & 4L mono flush is achievable

Options

- Can be installed in conjunction with all Dudley concealed cisterns to provide a tailor made solution for every project



Product	Code
Dudley Illusion Freestanda	316233

Technical Data	
Fixing Orientation	Floor Fixed

01 Wall-Hung Sanitaryware Frames Bidet Support

Illusion Bidet™

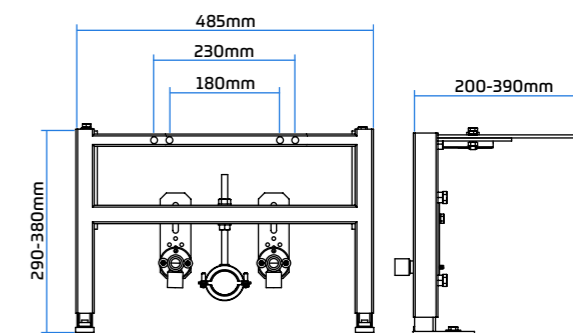
FRAMES // WASHROOM FILL & FLUSH

Wall-hung bidet support frame designed for use against flat walls and in corners.

Ideal for domestic and commercial applications

Features

- Wall and floor fixing brackets can be fixed through 180° and 360° respectively to provide further flexibility
- Legs adjust to offer bidet height fixing flexibility
- Strong steel square hollow construction
- Blue powder coated finish & zinc plated wall & floor brackets



Product	Code
Dudley Illusion Bidet	314887

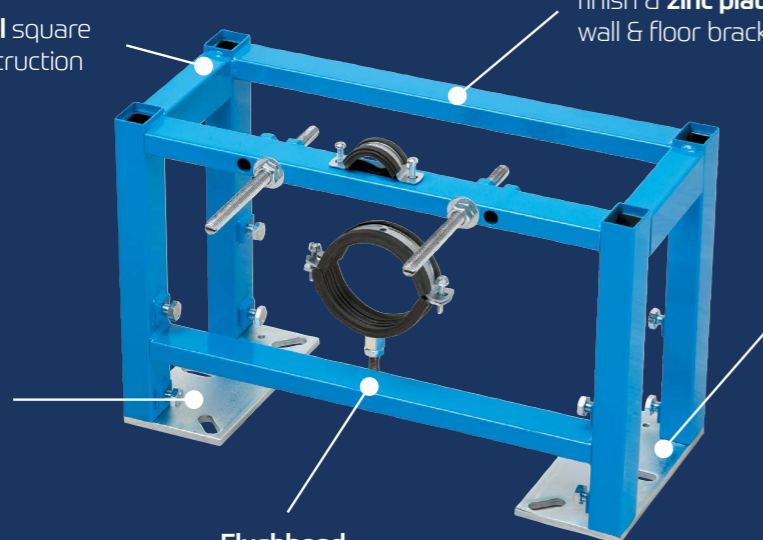
Technical Data	
Fixing Orientation	Wall and Floor Fixed
Load Capacity	Tested to 4kN

Illusion Freestanda™

Strong steel square hollow construction

Blue powder coated finish & zinc plated wall & floor brackets

Legs adjust to offer WC pan height fixing flexibility



Sturdy floor fixing brackets remove the need for rear wall fixing

Flushbend & WC pan connector clamps

Visit our website

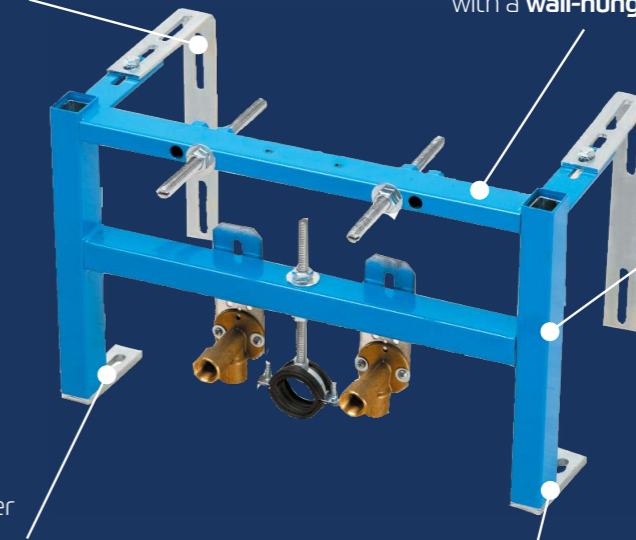


Illusion Bidet™

Strong steel square hollow construction

Load tested to 4kN to ensure compliance with BS EN 997 when fitted with a wall-hung pan

Legs adjust to offer bidet height fixing flexibility



Blue powder coated finish & zinc plated wall & floor brackets

Wall and floor fixing brackets can be fixed through 180° and 360°

Visit our website



01 Wall-Hung Sanitaryware Frames Basin Support

Illusion Basin™

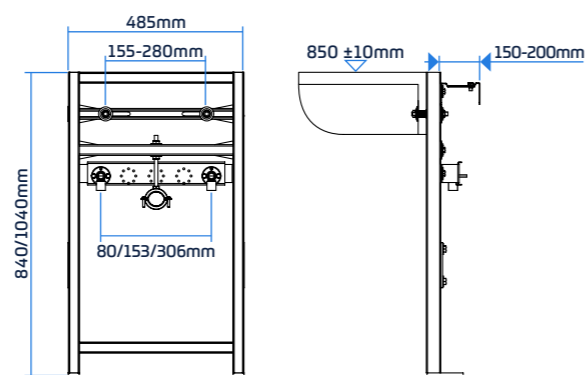
FRAMES // WASHROOM FILL & FLUSH

Wall-hung basin support frame designed for use against flat walls and in corners.

Ideal for domestic and commercial applications.

Features

- Wall and floor fixing brackets can be fixed through 180° and 360° respectively to provide further flexibility
- Legs adjust offer basin height fixing flexibility
- Strong steel square hollow construction
- Blue powder coated finish and galvanised wall and floor brackets



Product	Code
Dudley Illusion Basin	319207

Technical Data	Fixing Orientation
	Wall and Floor Fixed

01 Wall-Hung Sanitaryware Frames Support Brackets

Illusion Sentinel™

FRAMES // WASHROOM FILL & FLUSH

The Dudley Illusion Sentinel™ wall-hung WC pan support brackets are designed as an alternative to the Illusion Frame range.

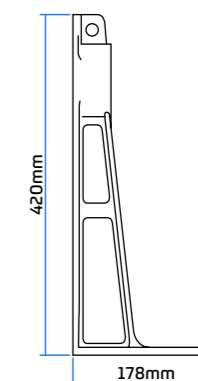
Ideal for most domestic and commercial applications.

Features

- Strong cast iron construction
- Vertical slot offers WC pan height fixing flexibility
- Grey painted finish
- Load tested to 4kN to ensure compliance with BS EN 997 when fitted with a wall-hung pan

Options

- WC Pan fixing bolts available as optional extras



Product	Code
Dudley Illusion Sentinel Bracket	317614

Technical Data	Fixing Orientation
	Floor Fixed

Illusion Basin™

Load tested to **1.5kN** to ensure compliance with **BS EN 14688** when fitted with a **wall-hung basin**

Blue powder coated finish & **galvanised** wall & floor brackets

Strong steel tubular section construction

Legs adjust to offer basin height fixing flexibility

Wall and floor fixing brackets can be fixed through **180°** and **360°**

Visit our website



Illusion Sentinel™

Strong cast iron construction

Grey painted finish

Vertical slot offers WC Pan height fixing flexibility

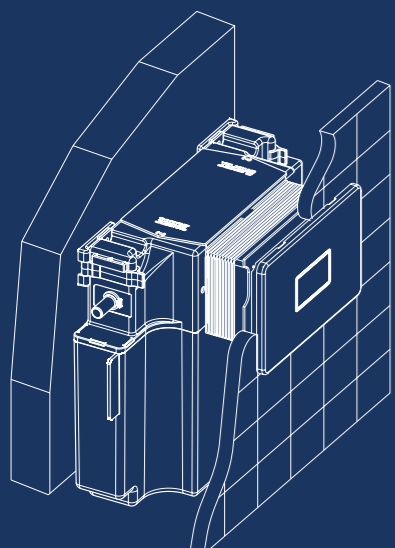
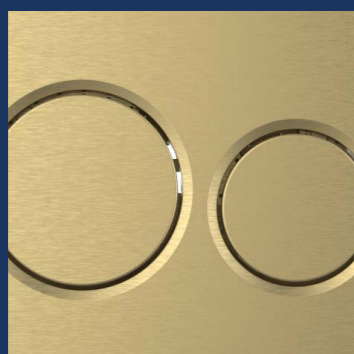
Passes **4kN** load test

Visit our website



Buttons & Plates

ELEGANCE IN THE DETAIL



TYDE's range of buttons and push plates are designed to add the finishing detail to any bathroom and are available in many styles and finishes.

Discover our full range of available options, whether

you require dualflush water saving, hygienic touch-free features or light touch operated products, we offer solutions to suit any specification.

ELEGANCE IN THE DETAIL

One-touch flushing has never looked better, with a choice of designs and sizes you can be sure the detail in our range of buttons and push plates will suit any commercial or domestic installation.



Please see Button, Cistern and Frame Compatibility Chart on Pg 82

02 Buttons and Plates

Dualflush Buttons

Geo Dualflush Pushbutton



BUTTONS & PUSH PLATES // WASHROOM FILL & FLUSH

The NEW Geo pneumatic dualflush button is designed for use with Dudley concealed cisterns and Illusion A and V frames, it is simple yet contemporary in design and will compliment any modern washroom interior.

Water Saving

- Dualflush operation provides reduced flush for enhanced water saving

Features

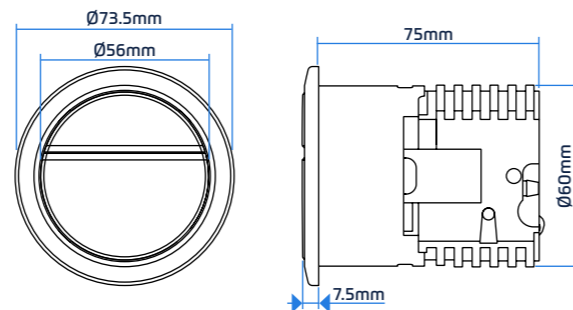
- 73.5mm diameter pushbutton

- Dualflush
- Smooth pneumatic operation
- Round chrome plated finish as standard
- Can be positioned up to 250mm from the cistern

Options

- Chrome
- Brushed Nickel
- Matt Black
- Soft Touch Grey
- Brushed Brass

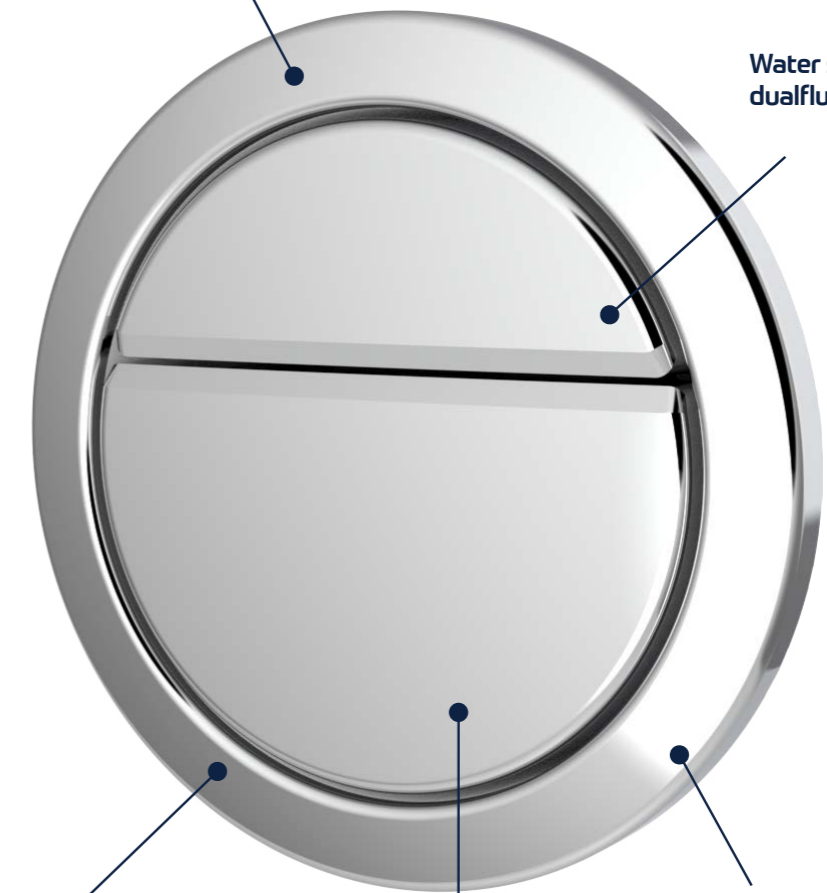
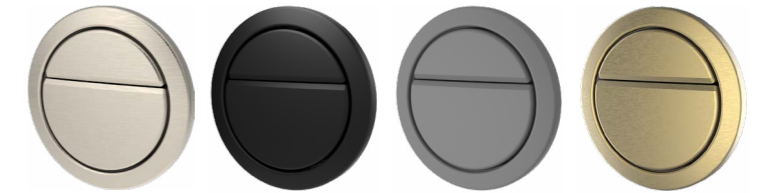
Product	Code
Geo Dualflush Pushbutton - Chrome	372873
Geo Dualflush Pushbutton - Brushed Nickel	372871
Geo Dualflush Pushbutton - Matt Black	372938
Geo Dualflush Pushbutton - Soft Touch Grey	373557
Geo Dualflush Pushbutton - Brushed Brass	372872



Technical Data	
Wall Thickness	12 - 32mm
Installation Aperture	ø62-65mm hole
Fixing Type	Locking Collet (Supplied)
Button Operation	Pneumatic
Flush Option	Dual Flush

Geo Dualflush Pushbutton

Chrome finish as standard, Brushed Nickel, Matt Black, Soft Touch Grey & Brushed Brass finishes also available



Water saving dualflush operation

73.5mm dia.

Compatible with furniture, tiles, partitioning and walls

Simple yet contemporary in design

Visit our website



02 Buttons and Plates

Dualflush Buttons

Dio Dualflush Pushbutton

BUTTONS & PUSH PLATES // WASHROOM FILL & FLUSH

Designed for use with Dudley concealed cisterns and Illusion A and V frames.

Water Saving

- Dual flush operation provides reduced flush for enhanced water saving.

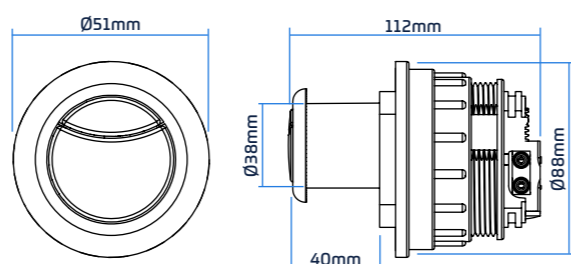
Features

- 51mm diameter pushbutton
- Dualflush
- Smooth pneumatic operation
- Round chrome plated finish as standard
- Can be positioned up to 250mm from the cistern

Options

- Chrome
- Matt Black

Product	Code
Dio Dualflush Pushbutton Chrome	322408
Dio Dualflush Pushbutton Matt Black	371008



Technical Data	
Wall Thickness	12 - 32mm
Installation Aperture	ø40mm hole
Fixing Type	Locking Collet (Supplied)
Button Operation	Pneumatic
Flush Option	Dual Flush

Visit our website



Miniflo™ Dualflush Pushbutton

BUTTONS & PUSH PLATES // WASHROOM FILL & FLUSH

Designed for use with Dudley concealed cisterns and Illusion A and V frames.

Water Saving

- Dual flush operation provides reduced flush for enhanced water saving.

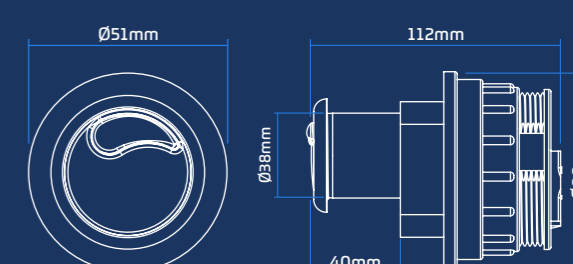
Features

- 51mm diameter pushbutton
- Dualflush
- Round chrome plated finish as standard
- Smooth pneumatic operation
- Can be positioned up to 250mm from the cistern

Options

- Polished Chrome
- Chrome/Matt
- Button extension available for larger wall thickness's

Product	Code
Miniflo Dualflush Pushbutton Polished Chrome	322905
Miniflo Dualflush Pushbutton Chrome/Matt	322906



Technical Data	
Wall Thickness	12 - 32mm
Installation Aperture	ø40mm hole
Fixing Type	Locking Collet (Supplied)
Button Operation	Pneumatic
Flush Option	Dualflush

Visit our website



02 Buttons and Plates

Dualflush Buttons

CP Round Dualflush Pushbutton

BUTTONS & PUSH PLATES // WASHROOM FILL & FLUSH

Designed for use with Dudley concealed cisterns and Illusion A and V frames.

Water Saving

- Dual flush operation provides reduced flush for enhanced water saving.

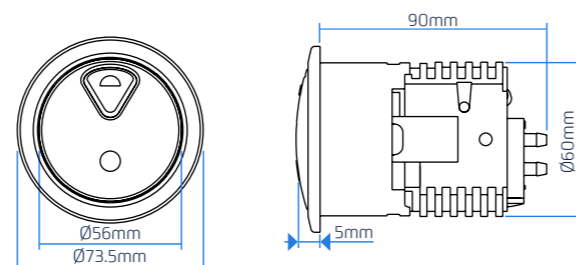
Features

- 73.5mm diameter pushbutton
- Dualflush
- Round chrome plated finish as standard
- Smooth pneumatic operation
- Can be positioned up to 250mm from the cistern

Options

- Chrome
- White

Product	Code
CP Round Dualflush Pushbutton Chrome	315921
CP Round Dualflush Pushbutton White	321194



Technical Data	
Wall Thickness	12 - 32mm
Installation Aperture	ø62-65mm hole
Fixing Type	Locking Collet (Supplied)
Button Operation	Pneumatic
Flush Option	Dual Flush

Visit our website



Piazza™ Square Dualflush Pushbutton

BUTTONS & PUSH PLATES // WASHROOM FILL & FLUSH

Designed for use with Dudley concealed cisterns and Illusion A and V frames.

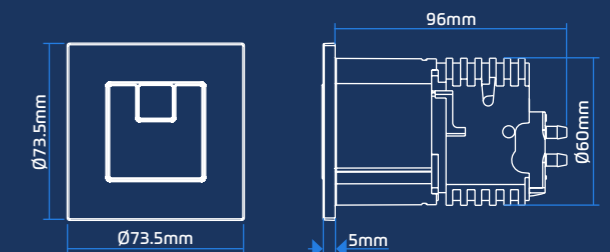
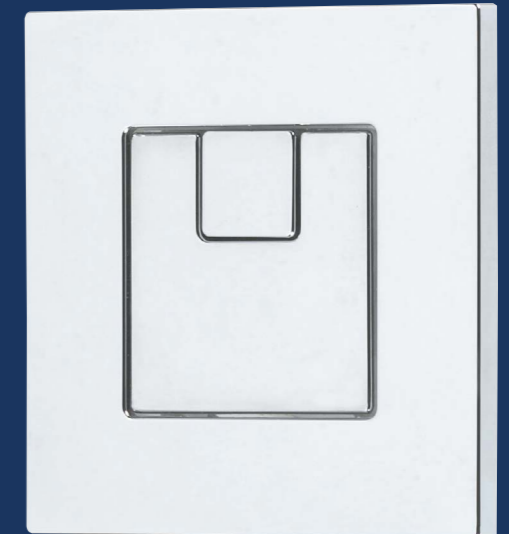
Water Saving

- Dual flush operation provides reduced flush for enhanced water saving.

Features

- 73.5mm sqr pushbutton
- Dualflush
- Chrome plated finish as standard
- Smooth pneumatic operation
- Can be positioned up to 250mm away from the cistern

Product	Code
Piazza Dualflush Pushbutton Chrome	327734



Technical Data	
Operation	Pneumatic
Pneumatic Tube Length	750mm
Required Aperture	ø62-65mm hole
Mounting Options	IPS Panelling, Furniture, Walls
Material	ABS

Visit our website



02 Buttons and Plates

Dualflush Buttons

Remora™ Twin Dualflush Push Button

BUTTONS & PUSH PLATES // WASHROOM FILL & FLUSH

Designed for use with Dudley concealed cisterns and Illusion A and V frames.

Water Saving

- Dual flush operation provides reduced flush for enhanced water saving.

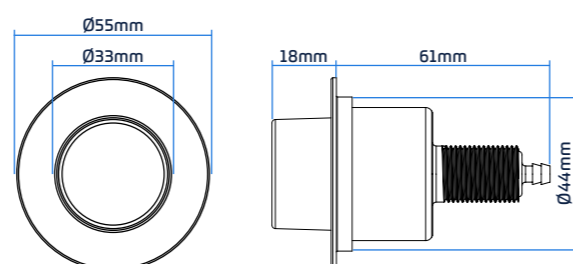
Features

- 51mm diameter pushbutton
- Dualflush
- Protruding button design for ease of use
- Smooth pneumatic operation
- 304 stainless steel button and surround
- Integral flush icons indicate full or partial flush operation
- Can be positioned up to 250mm from the cistern

Options

- Polished Stainless Steel
- Satin Stainless Steel

Product	Code
Remora™ Twin Dualflush - Brushed Stainless Steel	330017
Remora™ Twin Dualflush - Satin Stainless Steel	330018



Technical Data	
Wall Thickness	10 - 50mm
Installation Aperture	2 x Ø45-48mm holes
Fixing Type	Back Nut (Reversible)
Button Operation	Pneumatic
Flush Option	Dual Flush

Visit our website



Royal Twin Palm Dualflush Pushbutton

BUTTONS & PUSH PLATES // WASHROOM FILL & FLUSH

Designed for use with Dudley concealed cisterns and Illusion A and V frames.

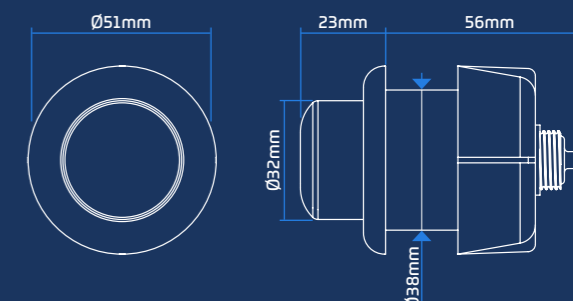
Water Saving

- Dual flush operation provides reduced flush for enhanced water saving.

Features

- 51mm diameter pushbutton
- Dualflush
- Protruding button design for ease of use
- Chrome plated finish
- Smooth pneumatic operation
- Can be positioned up to 250mm from the cistern

Product	Code
Royal Twin Palm Dualflush Pushbutton	327655



Technical Data	
Wall Thickness	5 - 46mm
Installation Aperture	2 x Ø40mm holes
Fixing Type	Back Nut (Reversible)
Button Operation	Pneumatic
Flush Option	Dual Flush

Visit our website



02 Buttons and Plates

Single Flush Buttons

Piazza™ Single Flush Pushbutton

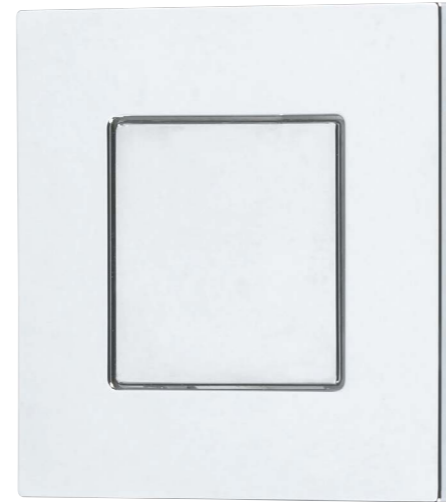
BUTTONS & PUSH PLATES // WASHROOM FILL & FLUSH
 Designed for use with Dudley concealed cisterns and Illusion A and V frames.

Water Saving

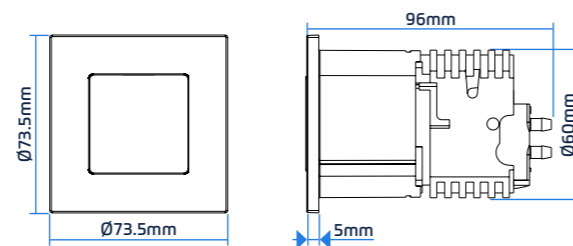
- Works in combination with Niagara Pneumatic valves which can flush as little as 4 litres

Features

- 73.5mm sqr pushbutton
- Single flush
- Smooth pneumatic operation
- Chrome plated finish as standard
- Can be positioned up to 250mm from the cistern



Product	Code
Piazza™ Single Flush Pushbutton	325277



Technical Data	
Button Operation	Pneumatic
Pneumatic Tube Length	750mm
Required Aperture	ø62-65mm hole
Mounting Options	IPS Panelling, Furniture, Walls
Material	ABS

Visit our website



CP Round Single Flush Pushbutton

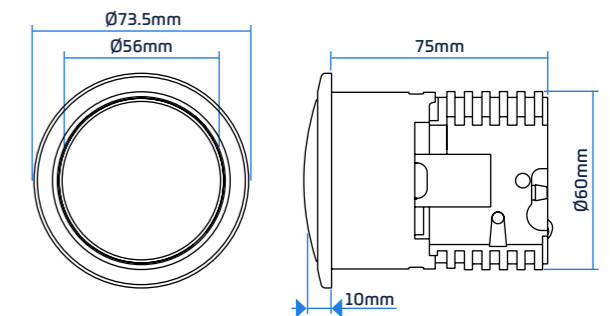
BUTTONS & PUSH PLATES // WASHROOM FILL & FLUSH
 Designed for use with Dudley concealed cisterns and Illusion A and V frames.

Features

- 73.5mm diameter pushbutton
- Single flush
- Smooth pneumatic operation
- Round chrome plated finish as standard
- Can be positioned up to 250mm from the cistern



Product	Code
CP Round Single Flush Pushbutton Chrome Round/Round	313085



Technical Data	
Wall Thickness	12 - 32mm
Installation Aperture	ø62-65mm hole
Fixing Type	Locking Collet (Supplied)
Button Operation	Pneumatic
Flush Option	Single Flush

Visit our website



02 Buttons and Plates

Single Flush Buttons

Royal™ Single Flush Pushbutton

BUTTONS & PUSH PLATES // WASHROOM FILL & FLUSH

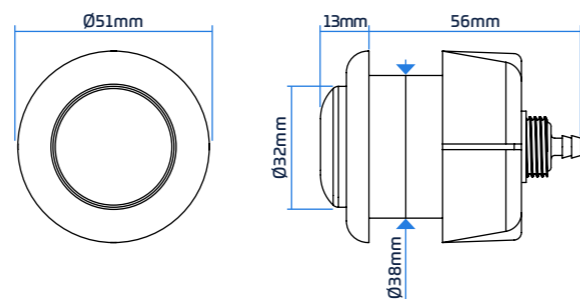
Designed for use with Dudley concealed cisterns and Illusion A and V frames.

Features

- 51mm diameter pushbutton
- Single flush
- Chrome plated finish
- Smooth pneumatic operation
- Can be positioned up to 250mm from the cistern



Product	Code
Royal™ Single Flush Pushbutton	313621



Technical Data	
Wall Thickness	5 - 46mm
Installation Aperture	38 - 40mm hole
Fixing Type	Back Nut (Reversible)
Button Operation	Pneumatic
Flush Option	Single Flush

Visit our website



Palm Push Royal™ Single Flush Push Button

BUTTONS & PUSH PLATES // WASHROOM FILL & FLUSH

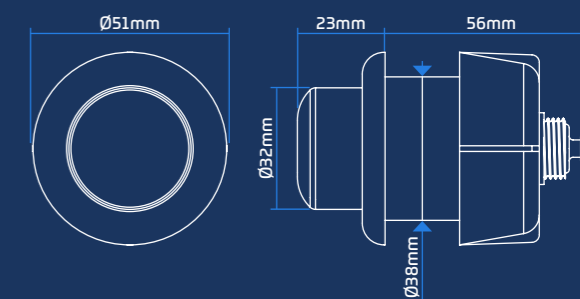
Designed for use with Dudley concealed cisterns and Illusion A and V frames.

Features

- 51mm diameter pushbutton
- Single flush
- Protruding button design for ease of use
- Smooth pneumatic operation
- Chrome plated finish
- Can be positioned up to 250mm from the cistern



Product	Code
Palm push Royal™ Single Flush Pushbutton	324379



Technical Data	
Wall Thickness	5 - 46mm
Installation Aperture	38-40mm holes
Fixing Type	Back Nut (Reversible)
Button Operation	Pneumatic
Flush Option	Single Flush

Visit our website



02 Buttons and Plates

Single Flush Buttons

Remora™ Single Flush Pushbutton

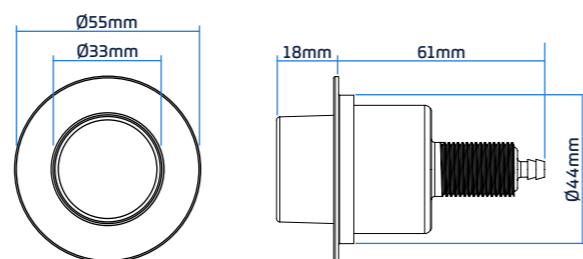
BUTTONS & PUSH PLATES // WASHROOM FILL & FLUSH

Designed for use with Dudley concealed cisterns and Illusion A and V frames.

Features

- 55mm diameter pushbutton
- Single flush
- Brushed 304 stainless steel
- Protruding button design for ease of use
- Smooth pneumatic operation
- Can be positioned up to 250mm from the cistern

Product	Code
Remora™ Single Flush Pushbutton - Brushed Stainless Steel	328155
Remora™ Single Flush Pushbutton - Satin Stainless Steel	330019



Technical Data	
Wall Thickness	10 - 50mm
Installation Aperture	Ø45 - 48mm hole
Fixing Type	Back Nut (Reversible)
Button Operation	Pneumatic
Flush Option	Single Flush

Visit our website



02 Buttons and Push Plates

Dualflush Push Plates

Reef™ Pneumatic Push Plate

BUTTONS & PUSH PLATES // WASHROOM FILL & FLUSH

Designed for use with Dudley concealed cisterns and Illusion A and V frames.

Water Saving

- Dual flush operation for full and water saving reduced flush

Features

- 233mm [W] x 152mm [H] x 13mm [D]
- Dualflush
- Smooth pneumatic operation
- Chrome plated finish
- Can be positioned up to 250mm from the cistern

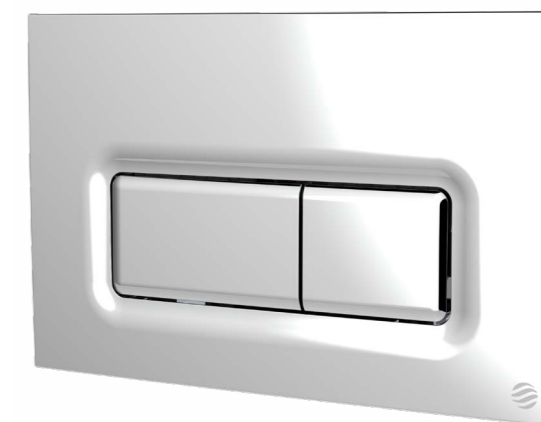
Options

- White
- Matt Silver
- Brushed Nickel
- Matt Black
- Soft Touch Grey
- Brushed Brass
- Bespoke finishes available, please enquire

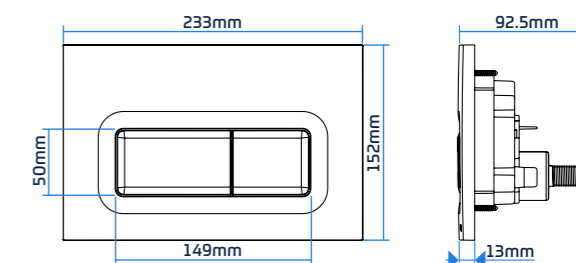
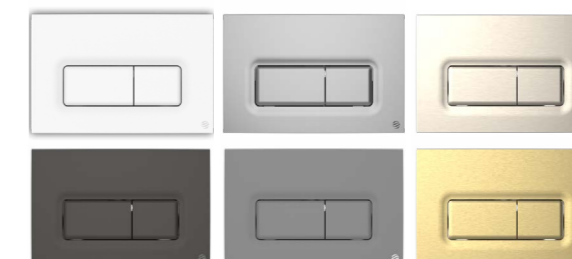
Product	Code
Reef™ Dualflush Push Plate - Chrome/Chrome	326393
Reef™ Dualflush Push Plate - White	370802
Reef™ Dualflush Push Plate - Matt Silver	334698
Reef™ Dualflush Push Plate - Brushed Nickel	373567
Reef™ Dualflush Push Plate - Matt Black	334197
Reef™ Dualflush Push Plate - Soft Touch Grey	373555
Reef™ Dualflush Push Plate - Brushed Brass	373565



Visit our website



White, Matt Silver, Brushed Nickel, Matt Black, Soft Touch Grey & Brushed Brass finishes also available



Technical Data	
Operation	Pneumatic
Pneumatic Tube Length	750mm
Required Aperture	205mm x 116mm
Mounting Options	IPS Panelling, Furniture & Walls
Material	ABS
Flush Option	Dual Flush

02 Buttons and Plates

Dualflush Push Plates

Drift™ Pneumatic Push Plate



BUTTONS & PUSH PLATES // WASHROOM FILL & FLUSH

The NEW Drift™ pneumatic push plate is designed for use with Dudley concealed cisterns and Illusion A and V frames, its round actuators encased by a rectangular plate - ideal for modern spaces.

- Smooth pneumatic operation
- Chrome plated finish
- Can be positioned up to 250mm from the cistern

Water Saving

- Dual flush operation for full and water saving reduced flush

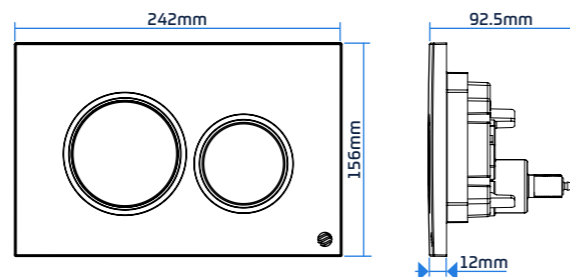
Features

- 242mm [W] x 156mm [H] x 12mm [D]
- Dualflush

Options

- Silver
- Brushed Nickel
- Matt Black
- Soft Touch Grey
- Brushed Brass
- Bespoke finishes available, please enquire

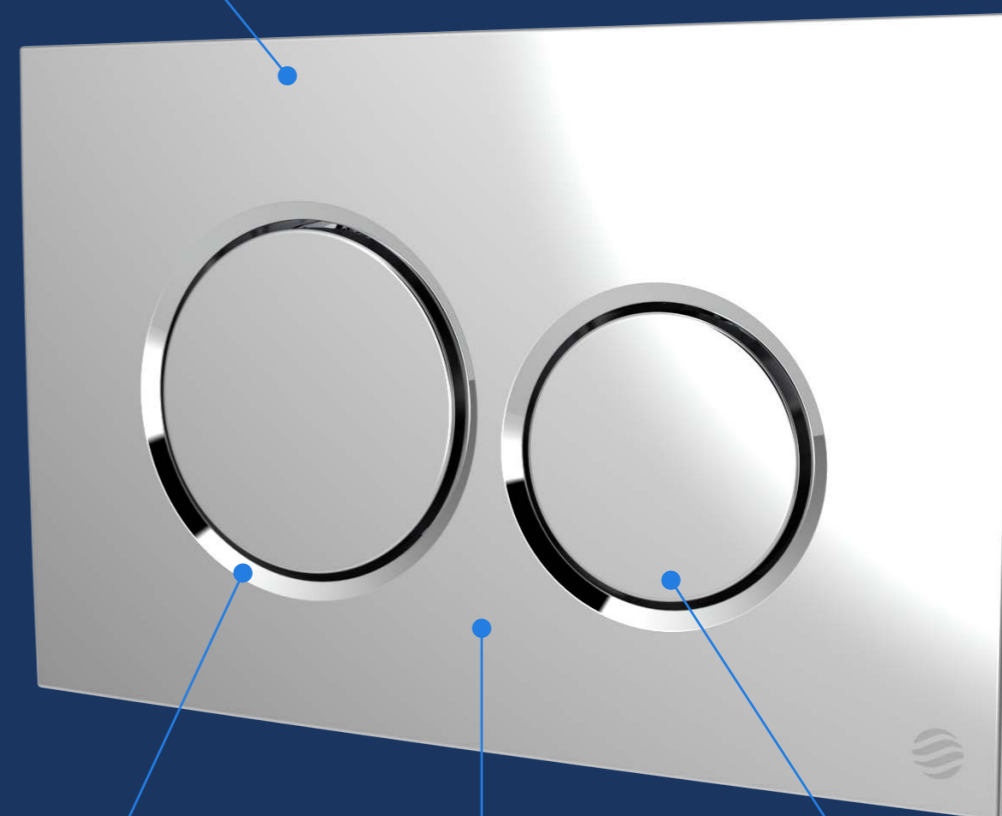
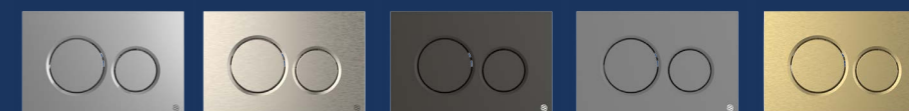
Product	Code
Drift™ Dualflush Push Plate - Chrome	372565
Drift™ Dualflush Push Plate - Silver	372919
Drift™ Dualflush Push Plate - Brushed Nickel	372925
Drift™ Dualflush Push Plate - Matt Black	372918
Drift™ Dualflush Push Plate - Soft Touch Grey	373324
Drift™ Dualflush Push Plate - Brushed Brass	372924



Technical Data	
Operation	Pneumatic
Pneumatic Tube Length	750mm
Required Aperture	205mm x 116mm
Mounting Options	IPS Panelling, Furniture & Walls
Material	ABS
Flush Option	Dual Flush

Drift™ Pneumatic Push Plate

Silver, Brushed Nickel, Matt Black, Soft Touch Grey & Brushed Brass finishes also available



Anti-finger trap design

Smooth pneumatic operation

Modern design to enhance any project

Visit our website



02 Buttons and Plates

Dualflush Push Plates

Coral™ Pneumatic Push Plate

BUTTONS & PUSH PLATES // WASHROOM FILL & FLUSH

Designed for use with Dudley concealed cisterns and Illusion A and V frames.

Water Saving

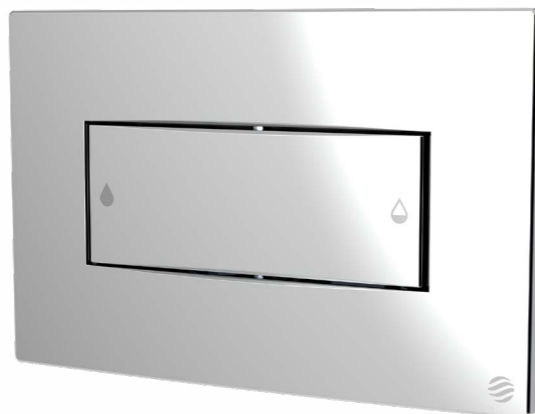
- Dual flush operation for full and water saving reduced flush

Features

- 233mm [W] x 152mm [H] x 13mm [D]
- Dualflush
- Smooth pneumatic operation
- Chrome plated finish
- Can be positioned up to 250mm from the cistern

Options

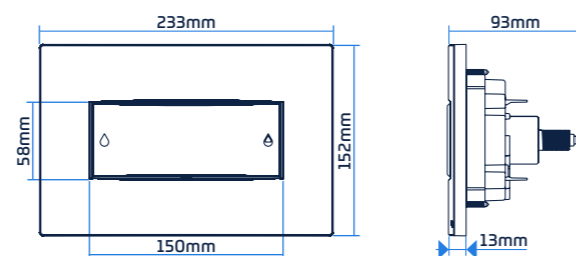
- White
- Matt Silver
- Brushed Nickel
- Matt Black
- Soft Touch Grey
- Brushed Brass
- Bespoke finishes available, please enquire



White, Matt Silver, Brushed Nickel, Matt Black, Soft Touch Grey & Brushed Brass finishes also available



Product	Code
Coral™ Dualflush Push Plate, Chrome	326392
Coral™ Dualflush Push Plate, White	334701
Coral™ Dualflush Push Plate, Matt Silver	334700
Coral™ Dualflush Push Plate, Brushed Nickel	373565
Coral™ Dualflush Push Plate, Matt Black	332839
Coral™ Dualflush Push Plate, Soft Touch Grey	373556
Coral™ Dualflush Push Plate, Brushed Brass	373568



Technical Data	
Operation	Pneumatic
Pneumatic Tube Length	750mm
Required Aperture	205mm x 116mm
Mounting Options	IPS Panelling, Furniture & Walls
Material	ABS
Flush Option	Dual Flush

Visit our website



Oyster™ Pneumatic Push Plate

BUTTONS & PUSH PLATES // WASHROOM FILL & FLUSH

Designed for use with Dudley concealed cisterns and Illusion A and V frames.

Water Saving

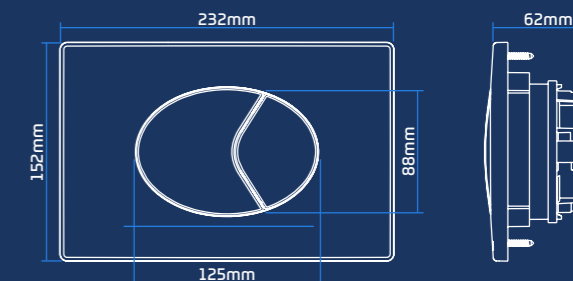
- Dual flush operation for full and water saving reduced flush

Features

- 232mm [W] x 152mm [H] x 16mm [D]
- Dualflush
- Smooth pneumatic operation
- Chrome plated finish
- Can be positioned up to 250mm from the cistern



Product	Code
Oyster™ Dualflush Pushbutton	322903



Technical Data	
Operation	Pneumatic
Pneumatic Tube Length	750mm
Required Aperture	205mm x 116mm
Mounting Options	IPS Panelling, Furniture & Walls
Material	ABS
Flush Option	Dual Flush

Visit our website



02 Buttons and Plates

Dualflush Push Plates

Pearl™ Pneumatic Push Plate

BUTTONS & PUSH PLATES // WASHROOM FILL & FLUSH

Designed for use with Dudley concealed cisterns and Illusion A and V frames.

Compatible with furniture, tiles, partitioning and walls.

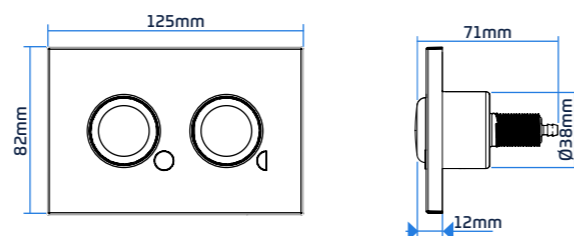
Water Saving

- Dual flush operation for full and water saving reduced flush

Features

- 125mm [W] x 82mm [H] x 12mm [D]
- Dualflush
- Smooth pneumatic operation
- Chrome plated finish
- Can be positioned up to 250mm from the cistern

Product	Code
Pearl™ Dualflush Push Plate	324697



Technical Data	
Operation	Pneumatic
Installation Aperture	2 x Ø40mm @ 50mm CTRS
Fixing Type	Mounted Chassis (Screws Supplied)
Wall Thickness	≥2mm
Flush Option	Dual Flush

Visit our website



Pearl Palm™ Pneumatic Push Plate

BUTTONS & PUSH PLATES // WASHROOM FILL & FLUSH

Designed for use with Dudley concealed cisterns and Illusion A and V frames.

Compatible with furniture, tiles, partitioning and walls.

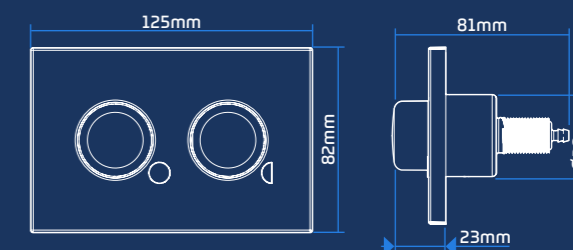
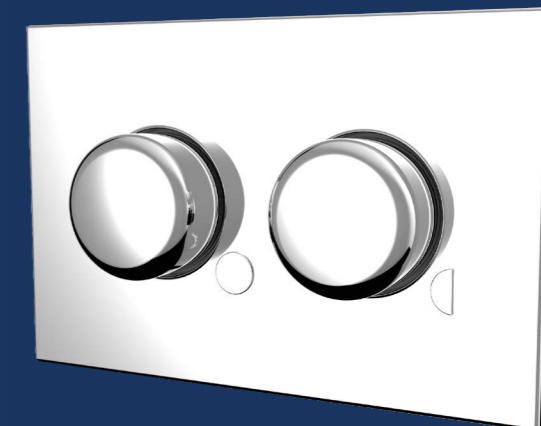
Water Saving

- Dual flush operation for full and water saving reduced flush

Features

- 125mm [W] x 82mm [H] x 23mm [D]
- Dualflush
- Smooth pneumatic operation
- Chrome plated finish
- Can be positioned up to 250mm from the cistern
- The raised button design on the Pearl Palm™ is particularly beneficial for those who struggle with a shallow button depth, the raised palm push design allows for the user to apply pressure using other appendages (like elbow or back of hand) in order to effectively activate the flush

Product	Code
Pearl Palm™ Dualflush Push Plate	324762



Technical Data	
Operation	Pneumatic
Installation Aperture	2 x Ø40mm @ 50mm CTRS
Fixing Type	Mounted Chassis (Screws Supplied)
Wall Thickness	≥2mm
Flush Option	Dual Flush

Visit our website



02 Buttons and Plates

Infra-red Plates

Wave™ S1 Infra-red Plate

BUTTONS & PUSH PLATES // WASHROOM FILL & FLUSH

Designed for use with Dudley concealed cisterns and Illusion A and V frames.

Water Saving

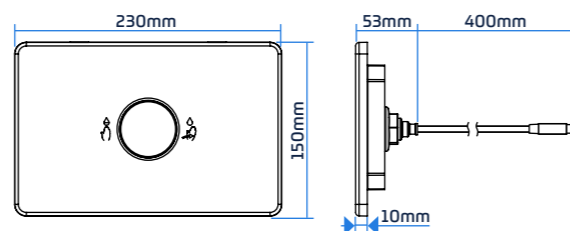
- Dual flush operation for full and water saving reduced flush

Features

- 230mm [W] x 150mm [H] x 10mm [D]
- Dualflush
- Brushed 304 stainless steel
- Hygienic touch free operation
- Interactive sensor indicates full or reduced flush activation
- Vandal-resistant design
- Can be positioned up to 250mm from the cistern
- Compatible as a replacement for other Dudley Electroflo™ sensors and flush plates



Product	Code
Wave™ S1 Dualflush Infra-red Push Plate	326394



Technical Data	
Operating Voltage	6V DC (Transformer Supplied)
Nominal Voltage	230V AC
Sensor Range	50mm
Fill Delay Time	30secs
Flush Option	Dual Flush

Visit our website



Wave™ S2 Infra-red Plate

BUTTONS & PUSH PLATES // WASHROOM FILL & FLUSH

Designed for use with Dudley concealed cisterns and Illusion A and V frames.

Water Saving

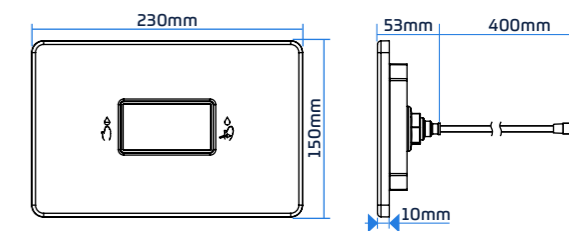
- Dual flush operation for full and water saving reduced flush

Features

- 230mm [W] x 150mm [H] x 10mm [D]
- Dualflush
- Brushed 304 stainless steel
- Hygienic touch free operation
- Interactive sensor indicates full or reduced flush activation
- Vandal-resistant design
- Can be positioned up to 250mm from the cistern
- Compatible as a replacement for other Dudley Electroflo™ sensors and flush plates



Product	Code
Wave™ S2 Dualflush Infra-red Push Plate	326395



Technical Data	
Operating Voltage	6V DC (Transformer Supplied)
Nominal Voltage	230V AC
Sensor Range	50mm
Fill Delay Time	30secs
Flush Option	Dual Flush

Visit our website



02 Buttons and Plates

Infra-red Plates

Wave S3™ Intelligent Infra-red Plate

BUTTONS & PUSH PLATES // WASHROOM FILL & FLUSH

The Wave S3 Intelligent Infra-red Push Plate combines state-of-the-art technology with cutting edge contemporary styling to provide commercial and domestic installations with a high-end flushing solution with a premium designer finish.

Water Saving

- Intuitive, touch free operation in conjunction with a Dudley Niagara pneumatic valve provides full and a water saving reduced flush.

Features

- 242mm [W] x 156mm [H] x 12mm [D]
- Dualflush
- Hygienic touch free operation

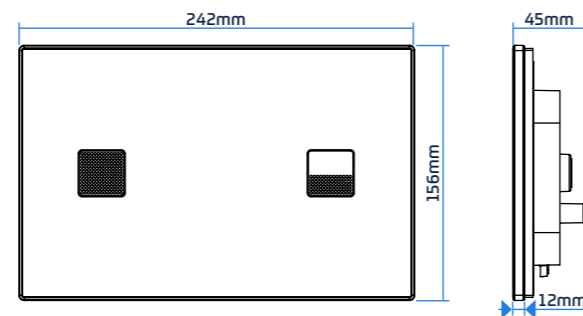
Product	Code
Wave S3™ Dualflush Infra-red Push Plate - Radius Corners	330265
Wave S3™ Dualflush Infra-red Push Plate - Square Corners	330264



- 7cm approx. Flush Sensor Range
- Three sensor range set-up options: Default, Automatic or Manual
- Compatible with Dudley Illusion A Frame
- Compatible with all Dudley Vantage and Miniflo cisterns
- Scratch and graffiti resistant coating reduces the risk of damage to the front window
- Incorporates discrete, tamper resistant, quick release locks for easy service access
- Dedicated branding and custom status icons available [Subject to order quantity]

Options

- Square Corners
- Radius Corners



Technical Data	
Operating Voltage	6V DC (Transformer Supplied)
Nominal Voltage	230V AC 50Hz
Ingress Protection	IP 45
Detection Sensor Range	1.8m Maximum
Flush Sensor Range	7cm Approx. Maximum
Fill Delay Time	Adjustable 15 - 120secs
Installation Requirement	When raised the WC seat and lid must not obstruct the wave unit in any way

Wave S3™ Intelligent Infra-red Plate

Pre-set illumination sequence changes the colour of flushing icons according to status; **Blue** 'senses a user and is ready to flush', **Green** 'flushing' and **Red** 'refilling'

Each unit is powered by **6V DC** powered through a mains transformer – no need to worry about changing batteries

Protective coated acrylic reduces **risk of scratching**

Available in **geometric (square)** corner and **soft (radius)** corner formats

Comes complete with discrete **quick release locks** for **easy service access**

Delay fill timer can be **easily adjusted** on the back of the flush plate for **differing cistern sizes** and flow rates – **preventing early flushing** before the cistern is completely refilled

Can be **easily installed** in a matter of minutes. Air output buttons make set-up **quick** and **simple** and allow the Wave S3 to be configured to each individual installation

Mounts to **partitioning** and **panelling** materials and onto walls using a Dudley Vantage maintenance tunnel

Visit our website



02 Buttons and Plates

Vandal-Resistant Buttons and Plates

Metal Royal™ Vandal-Resistant Push Button

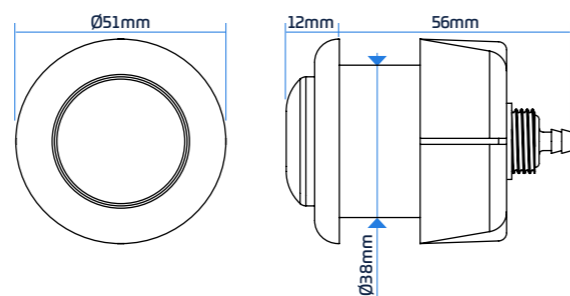
BUTTONS & PUSH PLATES // WASHROOM FILL & FLUSH
Designed for use with Dudley pneumatic cisterns. Ideal for applications where risk of vandalism or misuse is present.

Features

- 51mm diameter
- Single flush
- High impact vandal-resistant stainless steel construction
- Anti-ligature design
- Smooth pneumatic operation



Product	Code
Metal Royal™ Vandal-Resistant Push Button	321685



Technical Data	
Wall Thickness	5-46mm
Installation Aperture	Ø38-40mm
Fixing Type	Back Nut (Reversible)
Button Operation	Pneumatic
Flush Option	Single Flush

Visit our website



Flat Metal™ Vandal-Resistant Push Button

BUTTONS & PUSH PLATES // WASHROOM FILL & FLUSH
Designed for use with Dudley pneumatic cisterns. Ideal for applications where risk of vandalism or misuse is present.

Features

- 63.5mm diameter
- Single flush
- High impact vandal-resistant stainless steel construction
- Only works with Pushflo concealed cistern, see page 80 [with Pinto Valve]
- Flat metal button cannot be unscrewed from the front, providing an anti-ligature solution
- Smooth pneumatic operation

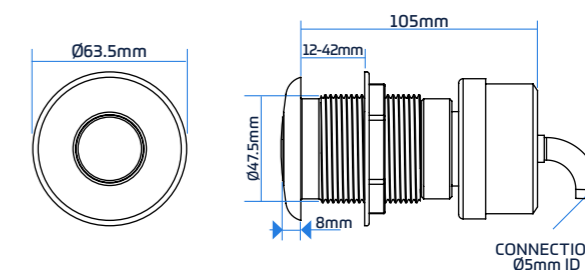
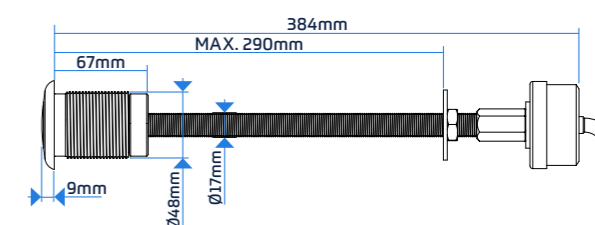
Options

- Extended spacer to suit Dudley Niagara Flush Valve

Product	Code
Flat Metal™ Vandal-Resistant Push Button	319473
Flat Metal™ Vandal-Resistant Push Button - Extended	330153



Extended Option



Technical Data	
Wall Thickness	12-42mm
Installation Aperture	Ø48mm
Fixing Type	Back Nut
Button Operation	Pneumatic
Flush Option	Single Flush

Visit our website



02 Buttons and Plates

Vandal-Resistant Buttons and Plates

Metal Pearl™ Vandal-Resistant Push Plate

BUTTONS & PUSH PLATES // WASHROOM FILL & FLUSH

Designed for use with Dudley pneumatic cisterns. Ideal for applications where risk of vandalism or misuse is present.

Water Saving

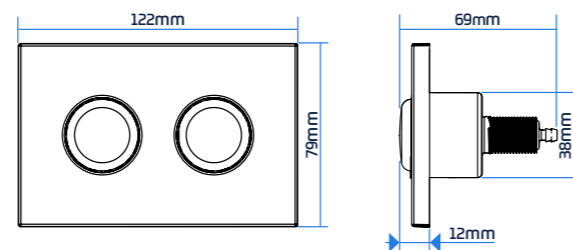
- Dual flush operation provides reduced flush for enhanced water saving

Features

- 122mm [W] x 79mm [H] x 12mm [D]
- Dualflush
- High impact vandal-resistant stainless steel construction
- Smooth pneumatic operation
- Brushed steel finish



Product	Code
Metal Pearl™ Vandal-Resistant Push Plate - Brushed Steel	326488



Technical Data	
Operation	Pneumatic
Installation Aperture	2 x Ø40mm @ 50mm CTRS
Fixing Type	Mounted Chassis (Screws Supplied)
Wall Thickness	≥2mm
Flush Option	Dual Flush

Visit our website



Remora™ Vandal-Resistant Push Plate

BUTTONS & PUSH PLATES // WASHROOM FILL & FLUSH

Designed for use with Dudley pneumatic cisterns. Ideal for applications where risk of vandalism or misuse is present.

Water Saving

- Dual flush operation provides reduced flush for enhanced water saving

Features

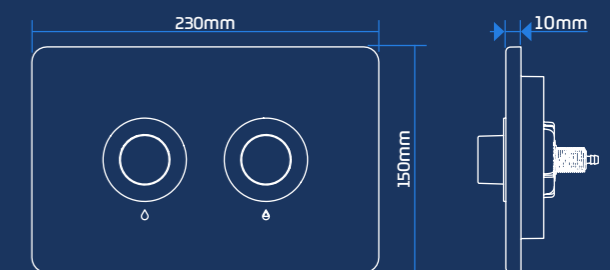
- 230mm [W] x 150mm [H] x 10mm [D]
- Dualflush
- High impact vandal-resistant stainless steel construction
- Smooth pneumatic operation

Options

- Push buttons available in polished or satin finishes



Product	Code
Remora™ Vandal-Resistant Push Plate Brushed 304G Stainless Steel Button	328155
Remora™ Vandal-Resistant Push Plate Satin 304G Stainless Steel Button	327227



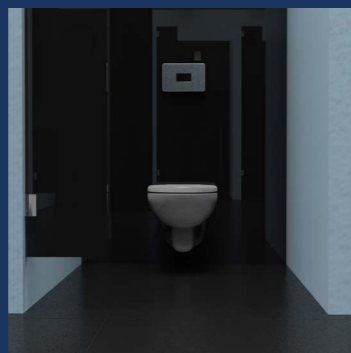
Technical Data	
Operation	Pneumatic
Pneumatic Tube Length	750mm
Required Aperture	205mm x 115mm
Mounting Options	IPS Panelling, Furniture, Walls
Material	Stainless Steel AISI 304

Visit our website



Touch-Free

EFFORTLESS HYGIENE

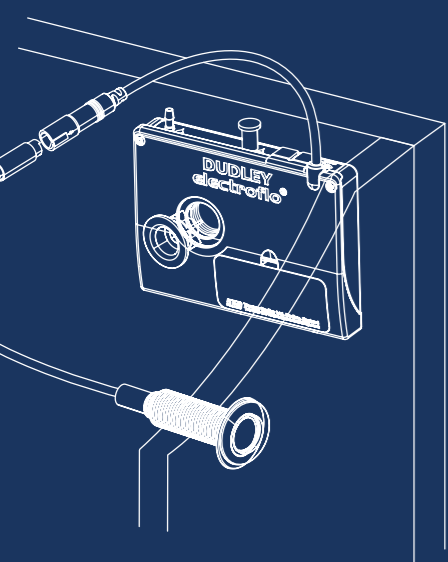


Whatever the washroom, it's the details in your vision that make the difference.

TYDE offers a range of touchless solutions which eliminate the need for physical contact and

ensures maximum hygiene is maintained.

With a choice of designer led styles and finishes TYDE is here to meet your design needs and take on your vision with innovation, experience, and confidence.



EFFORTLESS HYGIENE

Save water and maintain hygiene with our touch-free flushing range.

TYDE's range of hygienic touch-free taps, controls and dispensers provide cutting-edge aesthetics, state-of-the-art technology, and reliable operation for any commercial project.



Please see Button, Cistern and Frame Compatibility Chart on Pg 82

03 Touch-Free Taps

Electroflo® Contemporary™ Touch Free Infra-red Tap

TOUCH FREE // WASHROOM FILL & FLUSH

The Electroflo Contemporary Tap is a vanity top/ basin mounted electronic tap.

Ideal for use in most domestic and commercial applications. Its contemporary design will improve the look of any washroom

Water Saving

- Delivering as little as 1 litre of water per visit. Supports BREEAM

Features

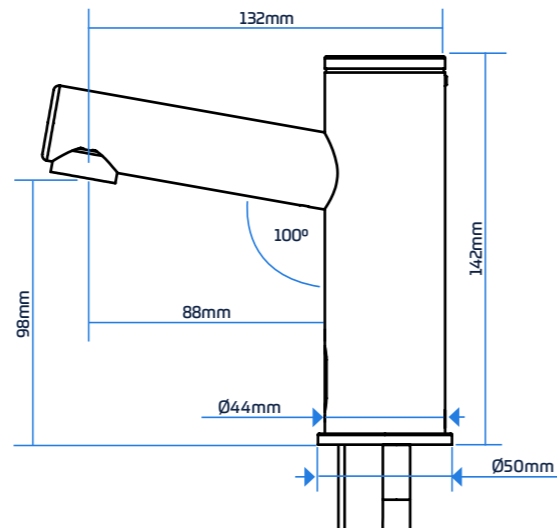
- Stylish tubular design
- Hygienic touch-free operation
- Robust brass body and vandal resistant design
- Attractive chrome plated, stainless steel effect or black finishes are available
- Delivers cold or premixed warm water
- Must be installed with a thermostatic mixing valve for premixed water

- Shuts off when hand is removed from in front of the sensor
- Water delivery automatically stops after 90 seconds [can be adjusted]
- Pre-fitted with 5LPM flow regulator
- ½" BSP connection
- Suitable for pressures of 0.5 - 8.0 bar. 8.0+ with a flow restrictor
- 50mm - 300mm sensor range
- Maximum temperature 70°
- Fail safe feature automatically closes the solenoid when power is cut or power is very low

Options

- Polished Chrome
- Stainless Steel Effect
- Matt Black
- Mains/Battery

Product	Code
Electroflo® Contemporary™ Touch Free Infra-red Tap - Polished Chrome - Mains	323681
Electroflo® Contemporary™ Touch Free Infra-red Tap - Polished Chrome - Battery	323680
Electroflo® Contemporary™ Touch Free Infra-red Tap - Stainless Steel Effect - Mains	327965
Electroflo® Contemporary™ Touch Free Infra-red Tap - Matt Black - Mains	327966



Technical Data	
Operating Voltage	9V DC
Mains supply	230V AC 50Hz
Battery supply	9V PP3
Sensor range	50 - 300mm (220mm preset)
Max. water temperature	70° C
Flow Rate	5L Per Minute Standard*
Water pressure	0.5 - 8.0 Bar

Electroflo® Contemporary™



Available in **Polished Chrome, Stainless Steel Effect and Matt Black finishes**



Visit our website



* Standard 5L - 3.5, 2.5, 1 LPM also available

03 Touch-Free Taps

Electroflo® Horizon™ Touch-Free Infra-red Tap

TOUCH FREE // WASHROOM FILL & FLUSH

The Horizon Electroflo Tap is a vanity top / basin mounted electronic taps.

Ideal for use in most domestic and commercial applications. Mounted horizontally this tap is a perfect match to our Dudley Horizon Soap Dispenser.

Water Saving

- Delivering as little as 1 litre of water per visit for advanced water savings and also supports BREEAM

Features

- Minimalistic styling
- Hygienic touch-free operation
- Robust brass body and vandal resistant design
- Delivers cold or premixed warm water (thermostatic mixing valve required for premixed water)
- Shuts off when hand is removed from in front of the sensor
- Water delivery automatically stops after 90 seconds (can be adjusted)
- ½" BSP connection
- Suitable for pressures of 0.5 - 8.0 bar. 8.0+ with a flow restrictor
- 50mm - 300mm sensor range
- Maximum temperature 70°
- Fail safe feature automatically closes the solenoid when power is cut or power is very low
- Pre-fitted with 5LPM flow regulator

Options

- Polished Chrome
- Stainless Steel Effect
- Matt Black
- Mains/Battery

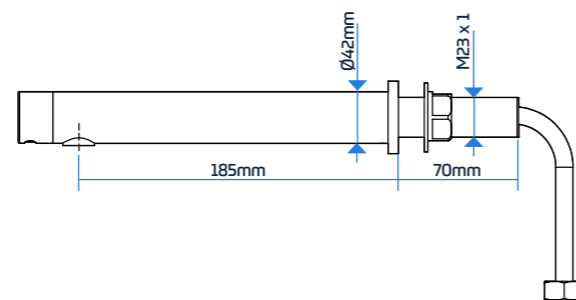


Product	Code
Electroflo® Horizon™ Touch Free Infra-red Tap - Polished Chrome - Mains	324329
Electroflo® Contemporary™ Touch Free Infra-red Tap - Polished Chrome - Battery	324328
Electroflo® Contemporary™ Touch Free Infra-red Tap - Stainless Steel Effect - Mains	327968
Electroflo® Contemporary™ Touch Free Infra-red Tap - Matt Black - Mains	327969

Visit our website



Stainless Steel Effect & Matt Black finishes also available



Technical Data	
Operating Voltage	6 x 1.5V AA externally mounted batteries or mains/transformer powered
Mains supply	230V AC 50Hz
Battery supply	6 x 1.5V AA externally mounted batteries
Sensor Range	50mm - 300mm
Max. water temperature	70° C
Flow Rate	5L Per Minute Standard (1.9 - 3.5L available)
Water Pressure	0.5 - 8.0 Bar
Connection	15mm Compression

Electroflo® Arc™ Touch Free Infra-red Tap

TOUCH FREE // WASHROOM FILL & FLUSH

The Arc Electroflo Tap is a vanity top / basin mounted electronic tap.

Ideal for use in most domestic and commercial applications. Its curved design makes this tap great for small spaces.

Water Saving

- Delivering as little as 1 litre per visit for advanced water saving and also supports BREEAM.

Features

- Classic swan neck design
- Hygienic touch free operation
- Delivers cold or premixed water (thermostatic mixing valve required for premixed water)
- Robust brass body and vandal-resistant design
- ½" BSP connection
- Tap shuts off when hand is removed from sensor,
- Water delivery rates can be adjusted
- Integrated hygiene mode to cycle the tap automatically every 24 hours
- Optional remote to adjust settings/maintenance
- Fail safe feature automatically closes the solenoid when power is cut or power is very low

Options

- Polished Chrome
- Stainless Steel
- Mains/Battery

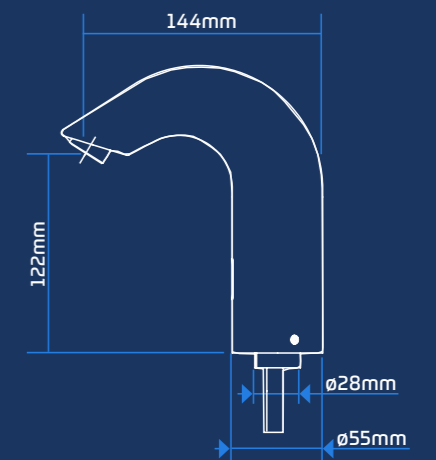


Product	Code
Electroflo® Arc™ Touch Free Infra-red Tap Polished Chrome - Mains	327972
Electroflo® Arc™ Touch Free Infra-red Tap Polished Chrome - Battery	330769
Electroflo® Arc™ Touch Free Infra-red Tap Stainless Steel - Mains	327973

Visit our website



Stainless Steel finish also available



Technical Data	
Operating Voltage	9V DC
Mains Supply	230V AC 50Hz
Battery Supply	9V PP3
Sensor Range	50MM - 300MM
Max Water Temperature	70° C
Flow Rate	6L Per Minute Standard (1.9 - 3.5L available)
Water Pressure	0.5 - 8.0 Bar
Connection	15mm Compression

03 Touch-Free Taps

Electroflo® Linear™ Touch-Free Infra-red Tap

TOUCH FREE // WASHROOM FILL & FLUSH

The Linear Electroflo Tap is a vanity top / basin mounted electronic tap.

Ideal for use in most domestic and commercial applications. Angled to around 45° this tap looks stylish and modern, a perfect combination for modern washrooms.

Water Saving

- Delivering as little as 1 litre of water per visit for advanced water savings and also supports BREEAM

Features

- Minimalistic styling
- Hygienic touch-free operation
- Robust brass body and vandal resistant design
- Delivers cold or premixed warm water (thermostatic mixing valve required for premixed water)
- Shuts off when hand is removed from in front of the sensor
- Water delivery automatically stops after 90 seconds (can be adjusted)
- ½" BSP connection
- Suitable for pressures of 0.5 - 8.0 bar. 8.0+ with a flow restrictor
- 50mm - 300mm sensor range
- Maximum temperature 70°
- Fail safe feature automatically closes the solenoid when power is cut or power is very low
- 15mm Pushfit connection
- Pre-fitted with 5LPM flow regulator

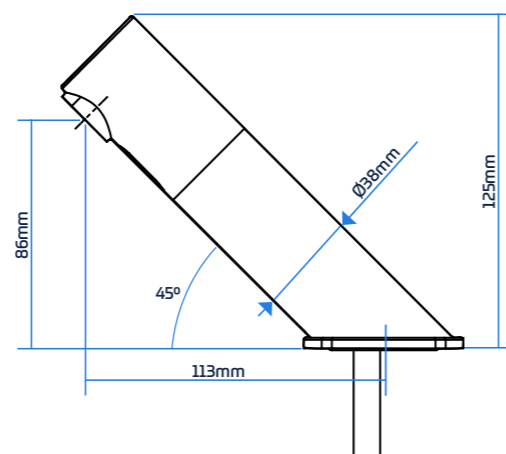
Options

- Polished Chrome
- Stainless Steel Effect
- Mains/Battery

Product	Code
Electroflo® Linear™ Touch Free Infra-red Tap - Polished Chrome - Mains	323685
Electroflo® Linear™ Touch Free Infra-red Tap - Polished Chrome - Battery	323684
Electroflo® Linear™ Touch Free Infra-red Tap - Stainless Steel Effect - Mains	327967



Stainless Steel Effect finish also available



Technical Data	
Operating Voltage	9V DC
Mains supply	230V AC 50Hz
Battery supply	9V PP3
Sensor Range	50 - 300mm (220mm preset)
Max. water temperature	70° C
Flow Rate	5L Per Minute Standard (1.9 - 3.5L available)
Water Pressure	0.5 - 8.0 Bar
Connection	15mm Compression

Visit our website



Electroflo® Avanti™ Touch Free Infra-red Tap

TOUCH FREE // WASHROOM FILL & FLUSH

The Avanti Electroflo Tap is a vanity top / basin mounted electronic tap.

Ideal for use in most domestic and commercial applications. Angled in a pleasing way to ensure that hands can be easily placed in the waterflow while retaining the ability to be mounted in a reduced space area.

Water Saving

- Delivering as little as 1 litre per visit for advanced water saving and also supports BREEAM.

Features

- Sleek minimalist design
- Hygienic touch free operation
- Delivers cold or premixed water (thermostatic mixing valve required for premixed water)
- Robust brass body and vandal-resistant design
- 15mm push-fit connection
- Tap shuts off when hand is removed from sensor,
- Fail safe feature automatically closes the solenoid when power is cut or power is very low

Options

- Polished Chrome
- Stainless Steel
- Mains/Battery

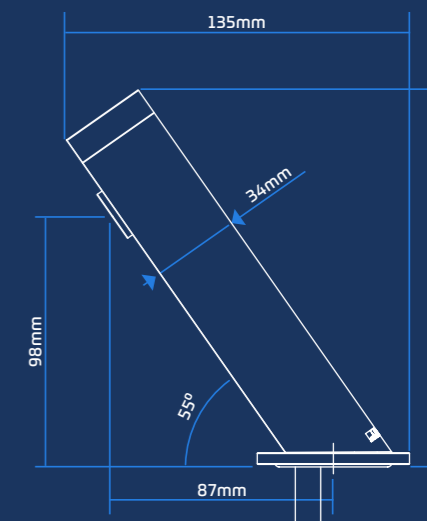


Product	Code
Electroflo® Avanti™ Touch Free Infra-red Tap Polished Chrome - Mains	326400
Electroflo® Avanti™ Touch Free Infra-red Tap Polished Chrome - Battery	326399
Electroflo® Avanti™ Touch Free Infra-red Tap Stainless Steel - Mains	326575
Electroflo® Avanti™ Touch Free Infra-red Tap Stainless Steel - Battery	326574

Visit our website



Stainless Steel finish also available



Technical Data	
Operating Voltage	9V DC
Mains Supply	230V AC 50Hz
Battery Supply	9V PP3
Sensor Range	50MM - 300MM
Max Water Temperature	70° C
Flow Rate	6L Per Minute Standard (1.9 - 3.5L available)
Water Pressure	0.5 - 8.0 Bar
Connection	15mm Push-fit

03 Touch-Free Soap Dispensers

Electroflo® Contemporary™ Touch-Free Infra-red Soap Dispenser

TOUCH FREE // WASHROOM FILL & FLUSH

The Electroflo Contemporary Soap Dispenser is a hygienic touch free dispenser suitable for vanity top or basin mounting.

For use with liquid soaps, anti-bacterial gels and ethenol based sanitisers, this contemporary design will improve the look of any washroom.

Features

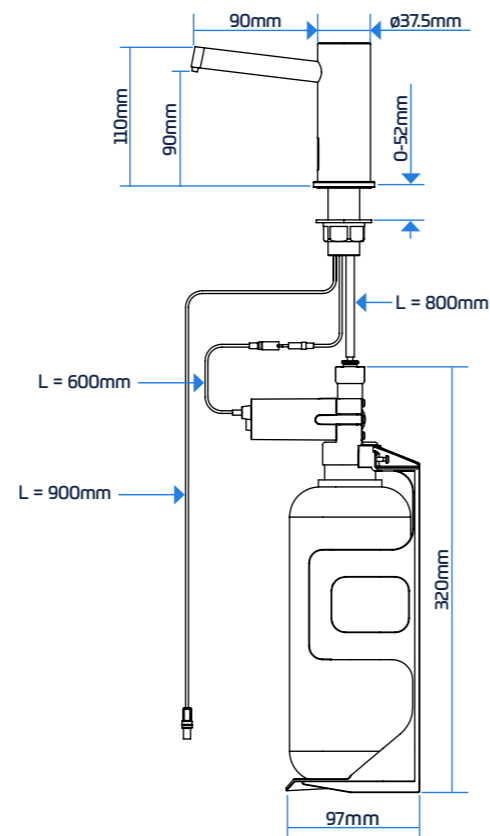
- Stylish tubular design
- Hygienic touch-free operation
- Robust brass body
- ½" BSP connection
- 1 litre capacity
- Can be used with soap viscosity of 0-3800 cps
- 50mm - 300mm sensor range

Options

- Polished Chrome
- Stainless Steel Effect
- Matt Black
- Mains/Battery

Product	Code
Electroflo® Contemporary™ Touch Free Infra-red Soap Dispenser - Polished Chrome – Mains	324327
Electroflo® Contemporary™ Touch Free Infra-red Soap Dispenser - Polished Chrome – Battery	326437
Electroflo® Contemporary™ Touch Free Infra-red Soap Dispenser - Stainless Steel – Mains	327974
Electroflo® Contemporary™ Touch Free Infra-red Soap Dispenser - Matt Black – Mains	327975

Stainless Steel Effect & Matt Black finishes also available



Technical Data	
Operating Voltage	9V DC
Mains supply	230V AC 50Hz
Battery supply	6 x 1.5V D Batteries
Sensor Range	50 - 300mm

Visit our website



Electroflo® Horizon™ Touch Free Infra-red Soap Dispenser

TOUCH FREE // WASHROOM FILL & FLUSH

The Horizon Soap Dispenser. A wall mounted electronic dispenser for use with liquid soaps, anti-bacterial gels and ethanol based sanitisers.

Stylish and minimal, this touch-free soap dispenser will bring a touch of class to any washroom.

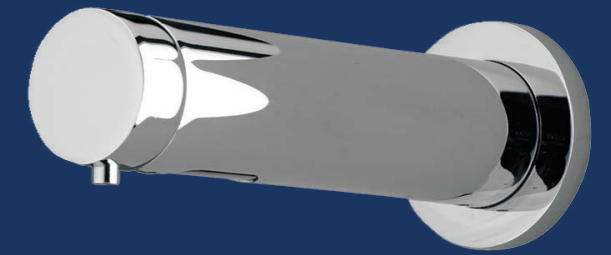
Features

- Minimalistic design
- Hygienic touch free operation
- Robust brass body
- ½" BSP connection
- 1 litre capacity
- Can be used with soap viscosity of 0-3800 cps
- 50mm - 300mm sensor range

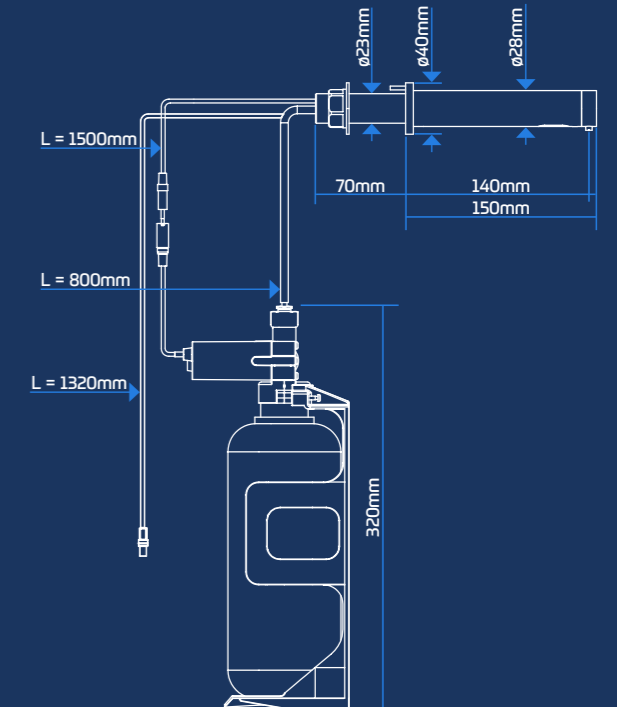
Options

- Polished Chrome
- Stainless Steel
- Matt Black
- Mains/Battery

Product	Code
Electroflo® Horizon™ Touch Free Infra-red Soap Dispenser Polished Chrome - Mains	325423
Electroflo® Avanti™ Touch Free Infra-red Soap Dispenser Polished Chrome - Battery	325424
Electroflo® Avanti™ Touch Free Infra-red Soap Dispenser Stainless Steel - Mains	327976
Electroflo® Avanti™ Touch Free Infra-red Soap Dispenser Matt Black - Mains	327977



Stainless Steel Effect & Matt Black finishes also available



Technical Data	
Operating Voltage	9V DC
Mains Supply	230V AC 50Hz
Battery Supply	6 x 1.5V D Batteries
Sensor Range	50MM - 300MM

Visit our website



03 Touch-Free WC Controls

Electroflo® Touch-Free Infra-red WC Flush Sensor

TOUCH FREE // WASHROOM FILL & FLUSH

Touch free infra-red WC flushing for use with Dudley Vantage and Miniflo concealed cisterns.

This high quality Touch Free WC Flushing solution is ideal for use in bathroom furniture and behind tiles, partitioning or IPS panelling within domestic or commercial environments.

Water Saving

- Dual flush functionality can deliver 6/4, 5/3 or 4/2.6 litre flush volumes

Features

- Discreet Ø40mm IR sensor available in chrome and matt black finishes or machined 304 stainless steel
- 100mm IR sensor includes instructional graphics

- Sensor detects a plurality of hand gestures; wave for full flush, hold hand in front of sensor for reduced flush
- LED flush indication
- Post flush sensor delay allows the cistern to refill before another flush can be delivered
- Hygienic touch-free operation
- Control box can be integrally mounted with the sensor at the rear of the panel or independently mounted onto a suitable flat surface

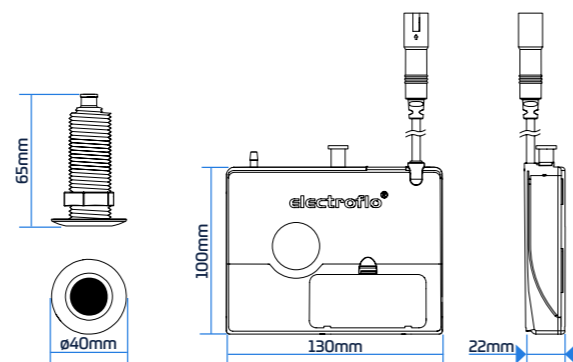
Options

- Chrome
- 304 Stainless Steel
- Matt Black
- Brushed Brass
- Mains/Battery

Product	Code
Electroflo® Touch Free Infra-red WC Flush Sensor – Chrome - Mains - 40mm	333388
Electroflo® Touch Free Infra-red WC Flush Sensor – Chrome - Mains - 100mm	372172
Electroflo® Touch Free Infra-red WC Flush Sensor – Chrome - Battery - 40mm	372173
Electroflo® Touch Free Infra-red WC Flush Sensor – Chrome - Battery - 100mm	372176
Electroflo® Touch Free Infra-red WC Flush Sensor – Stainless Steel - Mains - 40mm	371959
Electroflo® Touch Free Infra-red WC Flush Sensor – Stainless Steel - Battery - 40mm	372175
Electroflo® Touch Free Infra-red WC Flush Sensor – Matt Black - Mains - 40mm	372097
Electroflo® Touch Free Infra-red WC Flush Sensor – Matt Black - Battery - 40mm	372174
Electroflo® Touch Free Infra-red WC Flush Sensor – Brushed Brass - Mains - 50mm	372975
Mains Adapter	323107

Product	Code
Wave™ S1 Touch Free Infra-red Plate	326394
Wave™ S2 Touch Free Infra-red Plate	326395
Wave™ S3 Touch Free Infra-red Plate - Radius Corners	330265
Wave™ S3 Touch Free Infra-red Plate - Square Corners	330264

For touch-free infra-red plates please see pages 46-49



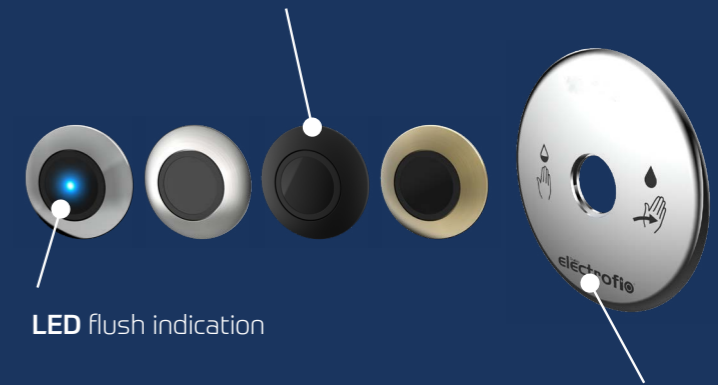
Technical Data	
Operating Voltage	6V DC
Mains supply	230V AC 50Hz
Battery supply	4 x 1.5V AA
Sensor Cable Length	400mm
Sensor Activation Range	Up to 50mm
Ingress Protection	IP44
Max. Wall Thickness	Up to 45mm (170mm with separate extension kit)

Electroflo® Touch Free Infra-red WC Flush Sensor

400mm long sensor cable plugs into the control box via a user-friendly adaptor



The sensor surround measures at just 40mm in dia. and comes in attractive **Chrome, Stainless Steel, Matt Black and Brushed Brass** finishes



LED flush indication

100mm sensor surround includes instructional graphics

Discreet sensor provides water saving **dualflush**. Wave for full flush, hold for reduced flush, this provides a **hygienic touch-free** solution

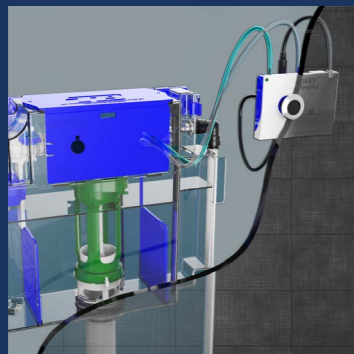
Powered by **four 1.5V AA** batteries (not inc) or mains via a **240V transformer**

Visit our website



Concealed Cisterns

CLASSIC CONFIDENCE



It's every specifier's goal to tell their client they can reduce project time frames and TYDE fully understand the need to save money on site. As such, our concealed cisterns are designed to have proven water savings and speed up installation

and servicing to minimise the associated costs.

A vast range of pushbuttons, push plates, levers and touch-free electronic sensors are also available to provide the perfect finishing touch to any project.

CLASSIC CONFIDENCE

TYDE's high quality concealed cisterns are perfect for the classic modern design in domestic & commercial applications and can be installed with confidence in fitted furniture, or behind walls and most partitioning materials.



Please see Button, Cistern and Frame Compatibility Chart on Pg 82

04 Concealed Cisterns

OSMO® F1

OSMO® F1 Concealed Cistern

CONCEALED CISTERNS // WASHROOM FILL & FLUSH

TYDE's OSMO® F1 is the World's first front access serviceable syphon cistern, fitted with the New Dudley Turbo Edge® syphon, designed for use with WC furniture and IPS panelling.

Manufactured in the UK by TYDE, the OSMO® F1 is a new innovative concealed cistern designed to be stylish, versatile and easy to fit and service with minimal disruption to WC furniture or panelling.

We recommend OSMO F1® is only used with a reputable branded manufacturer of WC Pans.

Water Saving

- Excellent water saving with 6/4, 6/3 and 4/2.6 litre volume dual flush options
- The Turbo Edge® syphon guarantees a leak free flush mechanism
- Delay fill Hydroflo inlet valve only allows cistern to start refilling once flushing is complete, saving up to 0.5L of drinking water per flush

Features

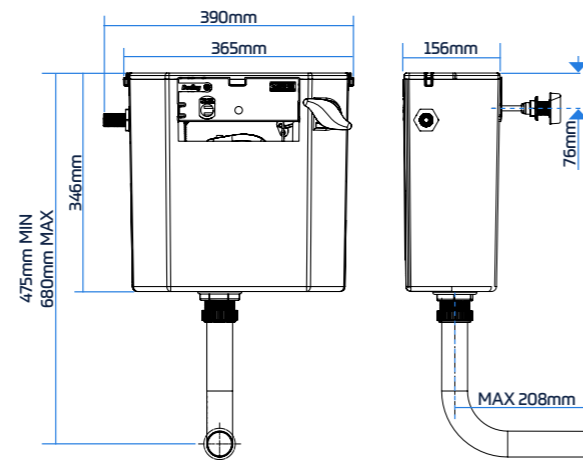
- WRAS approved cistern assembly

Product	Code
OSMO® F1 Right Hand Actuator	371854
OSMO® F1 Left Hand Actuator	371855
OSMO® F1 Right Hand - Chrome Actuator Kit	371874
OSMO® F1 Right Hand - Matt Black Actuator Kit	371876
OSMO® F1 Right Hand - Brushed Brass Actuator Kit	371878
OSMO® F1 Right Hand - Brushed Nickel Actuator Kit	371886
OSMO® F1 Left Hand - Chrome Actuator Kit	371875
OSMO® F1 Left Hand - Matt Black Actuator Kit	371877
OSMO® F1 Left Hand - Brushed Brass Actuator Kit	371879
OSMO® F1 Left Hand - Brushed Nickel Actuator Kit	371887

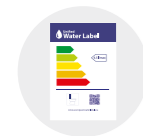
- WRAS approved Dudley Turbo Edge syphon
- WRAS approved Dudley Hydroflo with compact float and brass tail - fully compliant to BS 1212-4
- Fluid category 5 cistern
- Factory assembled
- Available in both left handed and right handed applications, please specify at point of ordering
- Multiple flushing volumes: 6/4, 6/3, 4/2.6 litre
- Front access
- Easily serviceable
- Stylish actuator available in various finishes - actuators sold separately
- 10 year warranty

Options

- Left/Right hand actuator
- Chrome Actuator
- Matt Black Actuator
- Brushed Brass Actuator
- Brushed Nickel Actuator



Technical Data	
Material	High Density Polystyrene (PS)
Inlet	Dudley Hydroflo Compact: Side Inlet
Outlet	Dudley Turbo Edge Syphon
Flush Volume	Dual Flush 6/4, 6/3, 4/2.6 Litre



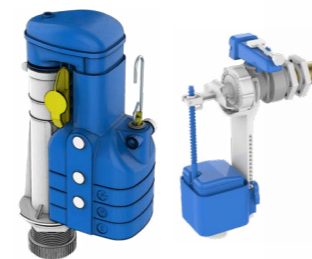
OSMO® F1 Concealed Cistern

Front access cistern, easily serviceable within WC furniture & IPS panelling

Chrome, Matt Black, Brushed Brass & Brushed Nickel actuator finishes available



Fitted with Turbo Edge®, the world's most compact syphon and guaranteed to be leak-free and Hydroflo® quiet fill type AG inlet valve



Patented front access system, unique registered design actuator available in multiple finishes, ergonomically tested for optimum light touch operation (actuators sold separately)

Compact design; fits neatly in to 500mm furniture units, we recommend installing at a height of no less than 838mm

Visit our website



04 Concealed Cisterns

OSMO® T1

OSMO® T1 Concealed Cistern

CONCEALED CISTERNS // WASHROOM FILL & FLUSH

TYDE's OSMO® T1 is a top access concealed reversible cistern with AXIS technology™ creating multiple inlet and outlet options as standard for pod applications.

Perfectly designed to be mounted behind IPS, within compact voids or on timber and steel framed pods.

Manufactured in the UK by TYDE, OSMO® T1 is a new innovative concealed cistern designed to easily achieve multiple inlet/ outlet options and is fully water regulations compliant in standard height pod shelves.

Water Saving

- Excellent water saving from the factory set Dudley Niagara valve at 6/4 ltr. Outstanding water saving performance when setting the Dudley Niagara valve to 4/2.6ltr dual flush combined with the Hydroflo Delay Fill inlet valve
- Delay fill Hydroflo inlet valve only allows cistern to start refilling once flushing is complete, saving up to 0.5L of drinking water per flush

Features

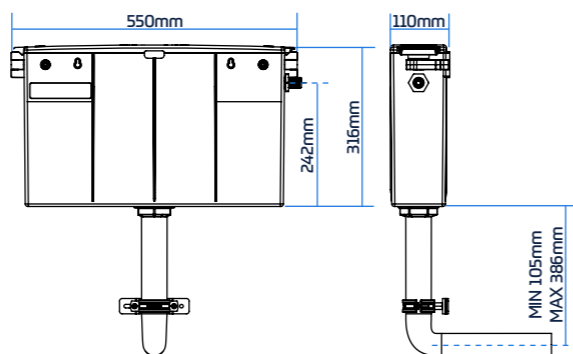
- WRAS Approved cistern assembly

Product	Code
OSMO® T1 (2" centre outlet)	377201
OSMO® T1 (2" offset outlet)	377202

- WRAS Approved Dudley Niagara pneumatic flush valve
- WRAS Approved Dudley Victoria cable flush valve
- WRAS Approved Dudley Hydroflo Delay Fill Brass Tail Inlet Valve (Side or Bottom Inlet)
- Easy top access with reversible SnapLock lid™
- Factory Assembled
- Pneumatic push button / plate can be installed up to 250mm away from cistern
- Unique reversible cistern body due to AXIS Technology™ achieving multiple inlet and outlet options
- Flush Pipe Stability System (FPSS™) with SureLock™ Bracket
- Multiple Flushing Volumes: 6/4 – 5/3 – 4/2.6 ltr (Alternative volumes upon request)
- Fluid category 5 cistern; the only way to achieve a water regulations compliant cistern in standard height POD shelves

Options

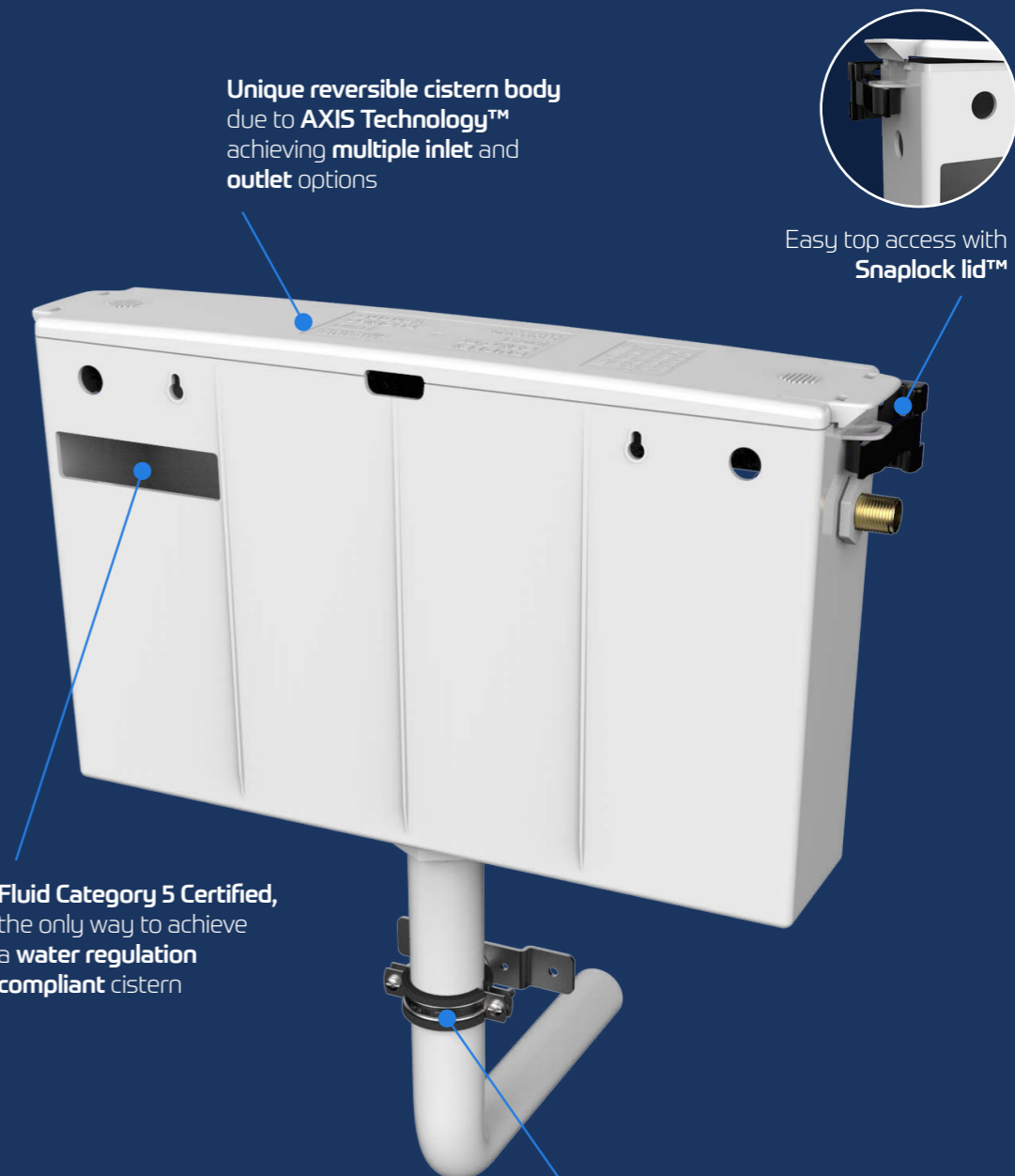
- Centre outlet
- Offset outlet



Technical Data	
Operation	All TYDE Pushbuttons & Pushplates
Inlet	Side inlet as standard, bottom inlet available
Outlet	Side
Flush Pipe	Valve



OSMO® T1 Concealed Cistern



Unique reversible cistern body due to **AXIS Technology™** achieving multiple inlet and outlet options

Easy top access with **Snaplock lid™**

Fluid Category 5 Certified, the only way to achieve a **water regulation compliant** cistern

Flush Pipe Stability System (**FPSS™**) with **SureLock™** Bracket

Visit our website



04 Concealed Cisterns

Vantage®

Vantage® Concealed Cistern

CONCEALED CISTERNS // WASHROOM FILL & FLUSH

The Vantage has been designed specifically for use in bathroom furniture. It is ideal for use behind tiles and partitioning and in most other concealed applications.

Available in multiple specifications. Please contact TYDE for more information

Water Saving

- 6/4 litre dualflush
- Quickly and easily converts before or after installation to
- 5/3 or 4/2.6 litre dualflush
- 6/5/4 litre single flush also available
- Delay fill Hydroflo inlet valve only allows cistern to start refilling once flushing is complete, saving up to 0.5L of drinking water per flush
- European Water Label Scheme registered
- Supports BREEAM

Features

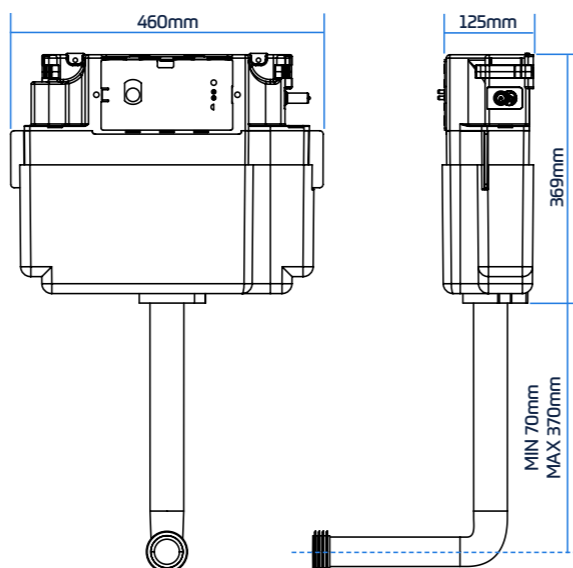
- 460mm [W] x 369mm [H] x 125mm [D]
- Supplied factory assembled
- Fitted with integral isolating valve & internal overflow warning

Product	Code
Vantage® Concealed Cistern [no jacket]	313330
Vantage® Concealed Cistern [with jacket]	320433

- Air tubes enable button, plate or sensor to be installed up to 250mm away from cistern
- Front & Top Access panels
- Compact dimensions enables the Dudley Vantage to fit neatly into furniture units as small as 500mm [W] x 200mm [D] x 800mm [H]
- Cistern assembly is WRAS approved
- Fitted with WRAS approved Hydroflo Side Inlet & Niagara Pneumatic Valve
- Side inlet
- Pushfit flushbend
- Unique cistern fixing brackets
- Fully compliant with UK Water Regulations

Options

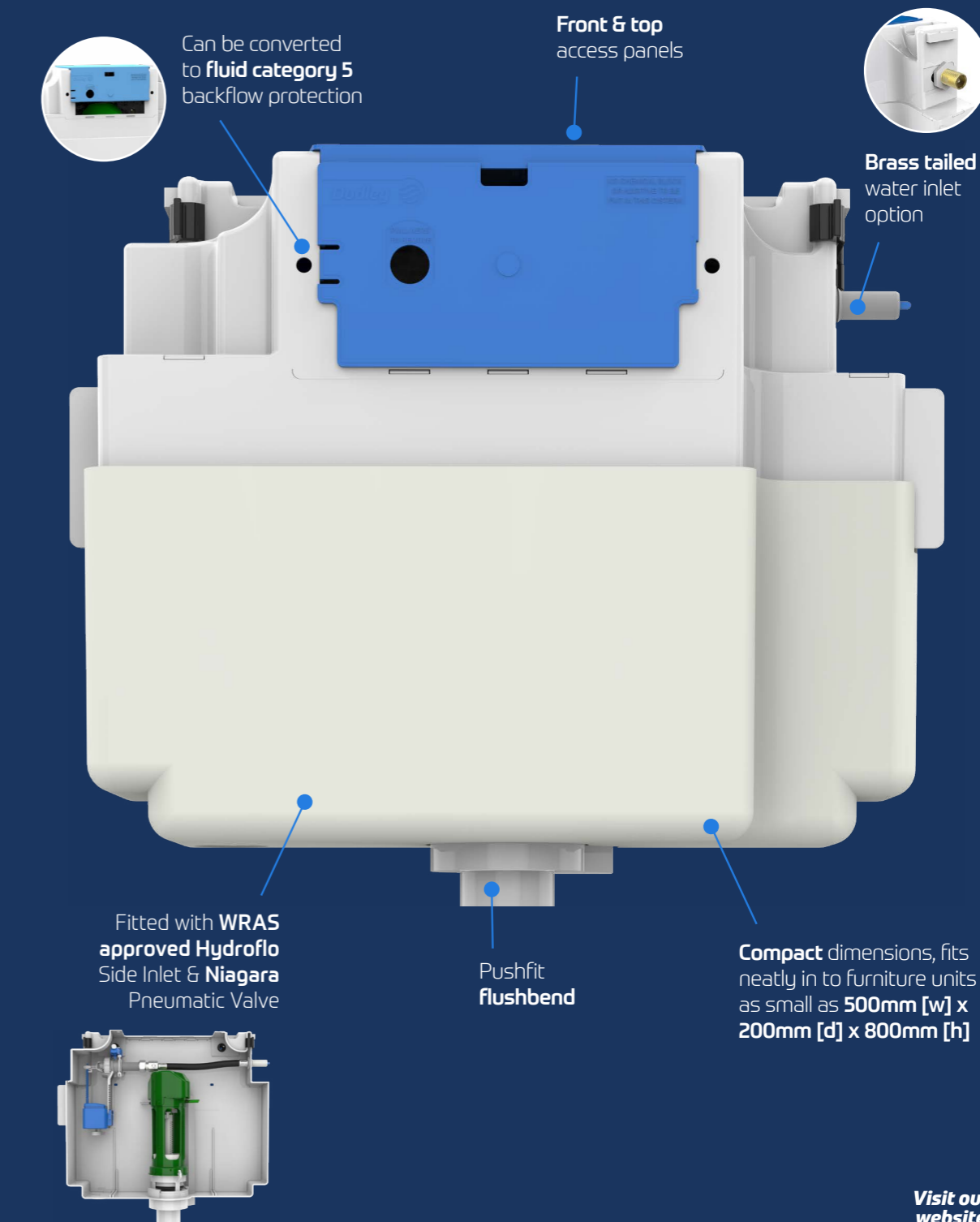
- Multiple specification options
- Polystyrene insulation jacket
- Available with ½" brass tail water supply connection*
- Single Flush, 73.5mm Button, Piazza Button, Royal Button, Oyster Plate, Reef Plate Coral Plate, Electroflo & more
- Vantage cisterns are available with Cat 3 & Cat 5 backflow prevention



Technical Data	
Material (Cistern)	High Density Polystyrene (PS)
Inlet	Hydroflo Compact: Side
Outlet	Niagara: Pneumatic
Flush Volume	Dual Flush 6/4, 5/3, 4/2.6 Litre or Single Flush 6, 5, 4 Litre



Vantage® Concealed Cistern



Visit our website



04 Concealed Cisterns Prestige®

Prestige® Concealed Cistern

CONCEALED CISTERNS // WASHROOM FILL & FLUSH

The Prestige is specifically designed for use in bathroom furniture, also ideal for use behind tiles and partitioning and in most other concealed applications.

Water Saving

- 6/4 litre dualflush
- 6/5/4 litre single flush also available
- Delay fill Hydroflo inlet valve only allows cistern to start refilling once flushing is complete, saving up to 0.5L of drinking water per flush

Features

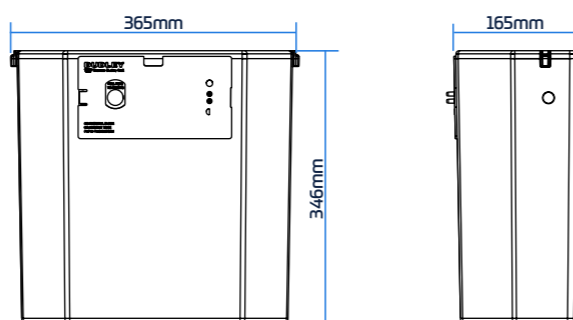
- 365mm [W] x 346mm [H] x 165mm [D]
- Can be configured to individual requirements and specifications
- Supplied factory assembled for quick and easy installation
- Cistern assembly is WRAS approved

Product	Code
Prestige® Concealed Cistern	334022

- Fitted with WRAS approved Hydroflo Side Inlet & Niagara Pneumatic Valve
- Air tubes enable button, plate or sensor to be installed up to 250mm away from cistern
- Internal overflow warning
- Top and front access
- Prestige cisterns are available with Cat 3 & Cat 5 backflow prevention
- Fully compliant with UK Water Regulations

Options

- Side or Bottom inlet
- Side inlet can be supplied with internal watyer isolation
- Delay fill Hydroflo inlet valve
- Offset outlet for use with a wider range of flush actuators (button or plate actuation)



Technical Data	
Material (Cistern)	High Density Polystyrene (PS)
Inlet	Hydroflo Compact: Side or bottom
Outlet	Niagara: Pneumatic (Offset)
Flush Volume	Dual Flush 6/4, 5/3, 4/2.6 Litre or Single Flush 6, 5, 4 Litre



Prestige® Concealed Cistern



04 Concealed Cisterns

Miniflo™

Miniflo™ Concealed Cistern

CONCEALED CISTERNS // WASHROOM FILL & FLUSH

The Miniflo is ideal for use behind tiles and partitioning and in most other concealed applications.

Available in multiple specifications. Please contact TYDE for more information

Water Saving

- 6/4 litre dualflush
- Quickly and easily converts before or after installation to 5/3 or 4/2.6 litre dualflush
- 6/5/4 litre single flush also available
- Delay fill Hydroflo inlet valve only allows cistern to start refilling once flushing is complete, saving up to 0.5L of drinking water per flush
- European Water Label Scheme registered
- Supports BREEAM

Features

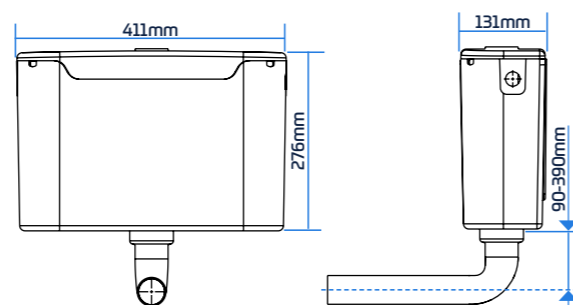
- 411mm [W] x 276mm [H] x 131mm [D]

Product	Code
Miniflo™ Concealed Cistern	333996

- Supplied factory assembled
- Air tubes enable button, plate or sensor to be installed up to 250mm away from cistern
- Compact dimensions enables the Dudley Miniflo to fit neatly into 150mm ducts
- Top Access
- One piece cistern fixing brackets
- Cistern body is high density polyethylene with durable glossy finish
- Internal overflow warning
- Cistern assembly is WRAS approved
- Fitted with WRAS approved Hydroflo Inlet & Niagara Pneumatic Valve
- Pushfit flushbend
- Fully compliant with UK Water Regulations

Options

- Side or Bottom inlet
- Single Flush, Buttons, Plates & Electroflo



Technical Data	
Material (Cistern)	High Density Polystyrene (PS)
Inlet	Hydroflo Compact: Side or bottom
Outlet	Niagara: Pneumatic
Flush Volume	Dual Flush 6/4, 5/3, 4/2.6 Litre or Single Flush 6, 5, 4 Litre



Miniflo™ Concealed Cistern



Compact dimensions, fits neatly in to 150mm ducts

Visit our website



04 Concealed Cisterns Phantom®

Phantom® Concealed Cistern

CONCEALED CISTERNS // WASHROOM FILL & FLUSH

The Phantom is ideal for use behind tiles and partitioning and in most other concealed applications.

Available in multiple specifications. Please contact TYDE for more information

Water Saving

- Dudley Duoflush delivers water-saving reduced flush when lever is held down and full flush when lever is depressed and released and easily converts to 5/3 or 4/2.6 litre
- 6/5/4 litre single flush also available
- European Water Label Scheme registered

Features

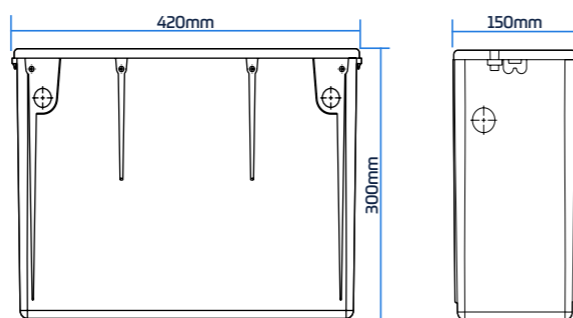
- 420mm [W] x 300mm [H] x 150mm [D]
- Levers are fitted with vandal-resistant stops to prevent them being rotated backwards

Product	Code
Phantom® Concealed Cistern (lever operated)	315863
Phantom® Pneumatic/XLT Concealed Cistern	327060

- Cistern assembly is WRAS approved
- WRAS approved Dudley syphon
- WRAS approved Dudley Part 3 side inlet valve
- Top access
- Cistern body is high density polyethylene
- Internal/external overflow warning
- Fully compliant with UK Water Regulations

Options

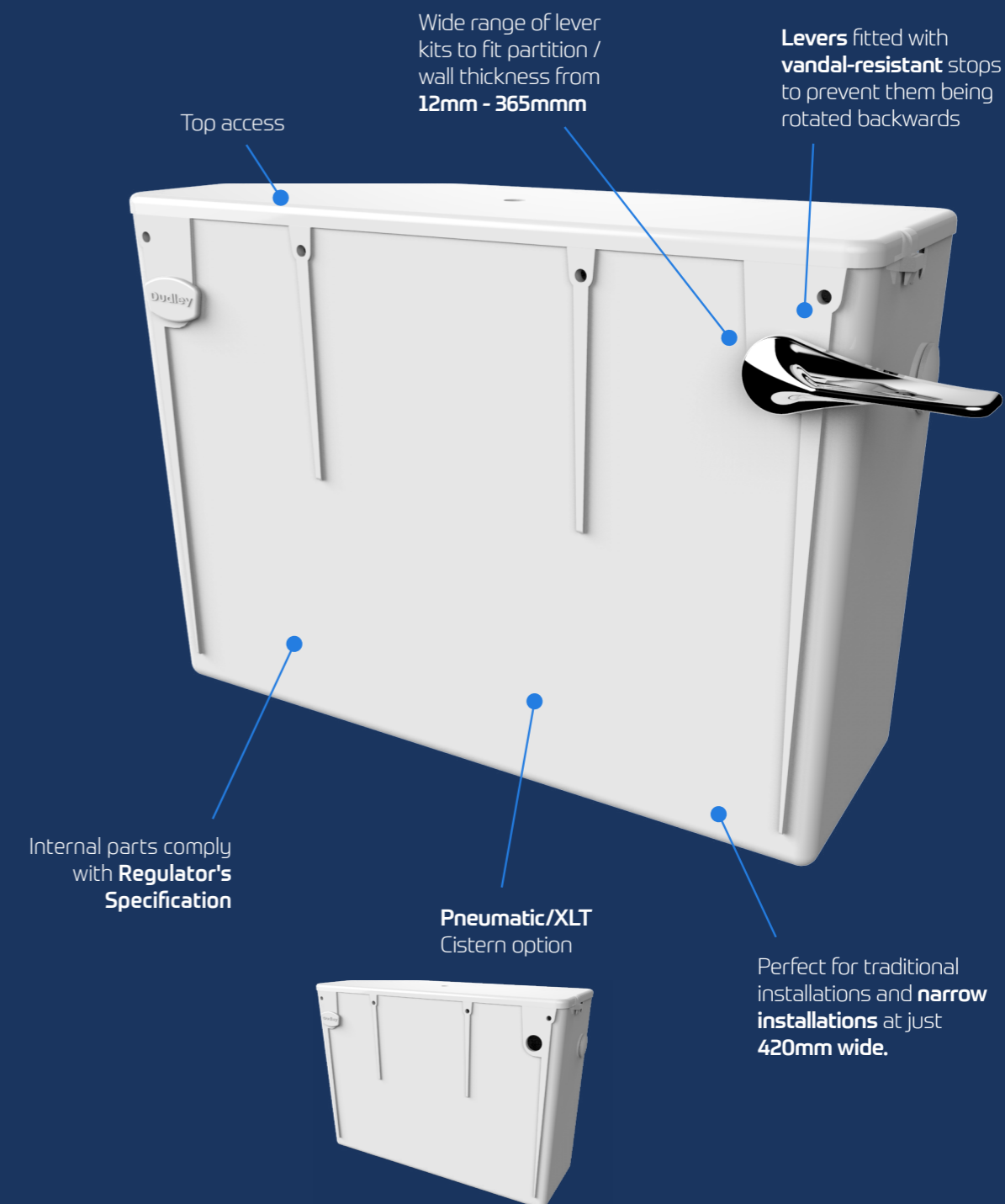
- Pneumatic / XLT Cistern
- Bottom inlet
- Turbo 88 2-part syphon
- Wide range of lever kits to fit partition/wall thickness from 12mm - 365mm
- Can be installed with Illusion A WC support frame



Technical Data

Material (Cistern)	High Density Polystyrene (PS)
Inlet	Part 3 Side or bottom Inlet
Outlet	Turbo 88: Dual Flush Syphon
Flush Volume	Dual Flush 6/4, 5/3, 4/2.6 Litre or Single Flush 6, 5, 4 Litre
Lever Reach	12-365mm

Phantom™ Concealed Cistern



Visit our website



04 Concealed Cisterns

Phantom®

Pushflo® Concealed Cistern

CONCEALED CISTERNS // WASHROOM FILL & FLUSH

The Pushflo is ideal for use behind tiles and partitioning and in most other concealed applications.

Available in multiple specifications. Please contact TYDE for more information

Water Saving

- 6 litre single flush
- Delay fill Hydroflo inlet valve only allows cistern to start refilling once flushing is complete, saving up to 0.5L of drinking water per flush

Features

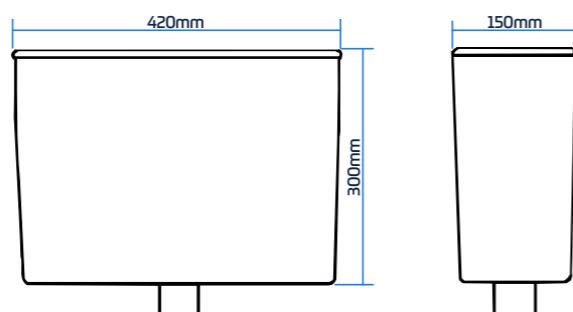
- 420mm [W] x 300mm [H] x 150mm [D]
- WRAS approved single flush valve

Product	Code
Pushflo® Concealed Cistern including Flat Metal Button	313321
Pushflo® Concealed Cistern - No Button	315425
Pushflo® Concealed Cistern including Flat Metal Button (extended)	324836

- WRAS approved inlet valve
- Compact dimensions fits neatly into most ducts
- Air tubes enable button to be installed up to 250mm away from cistern
- Top access
- Vandal-resistant Flat Metal button [see pg 51]
- Internal overflow warning
- Fully compliant with UK Water Regulations

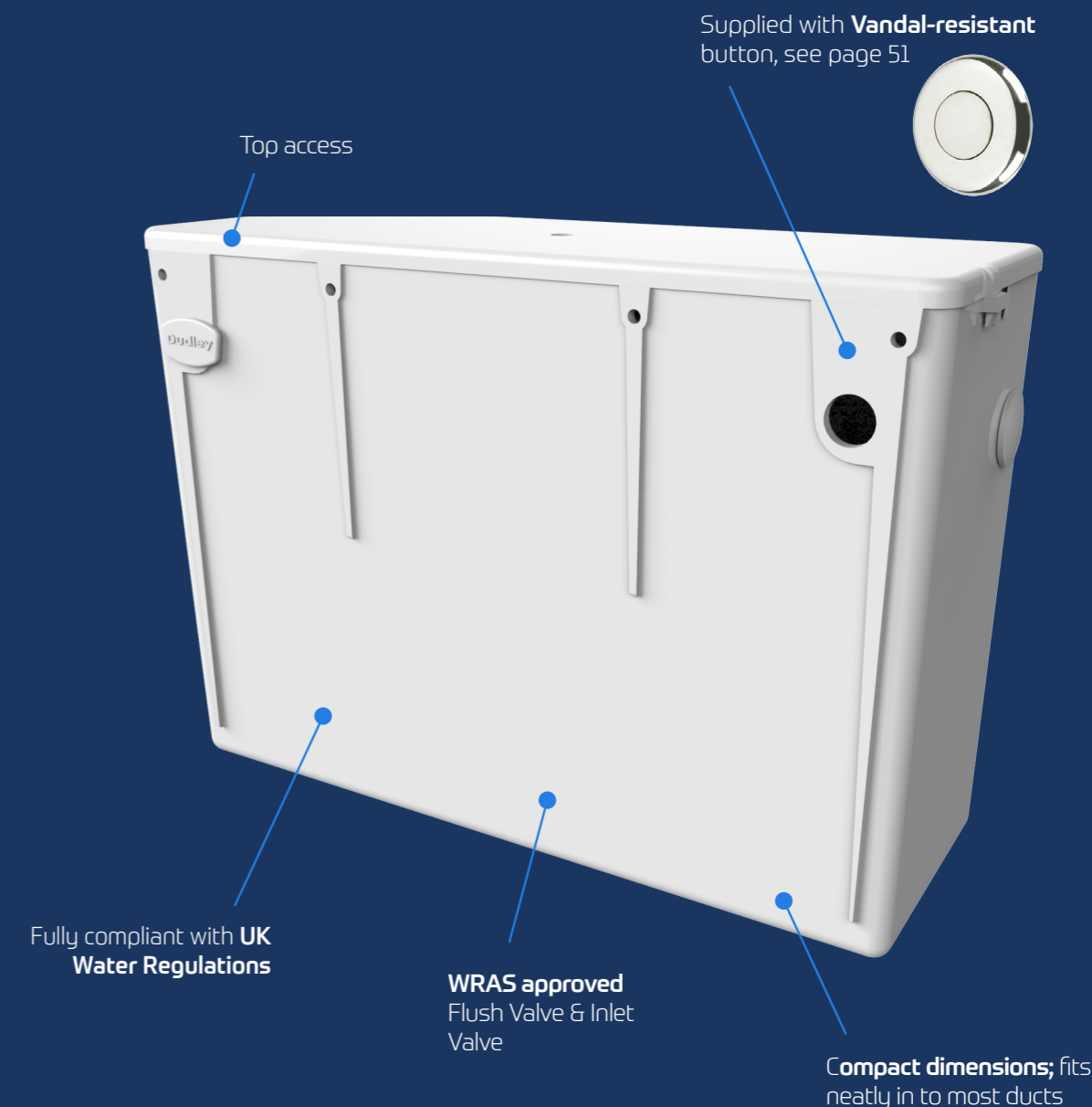
Options

- Side or bottom inlet
- Dome, Petite and Cone button also available



Technical Data	
Material (Cistern)	High Density Polystyrene (PS)
Inlet	Hydroflo Compact: Side or bottom
Outlet	Flush Valve: Pneumatic
Flush Volume	6 Litre Single Flush

Pushflo™ Concealed Cistern



Supplied with **Vandal-resistant** button, see page 51

Top access

Fully compliant with **UK Water Regulations**

WRAS approved Flush Valve & Inlet Valve

Compact dimensions; fits neatly in to most ducts

Visit our website



05 Compatibility

Compatibility Table for: Push Buttons, Push Plates and Infra-red/ Touch-free Sensors

TYDE's push buttons, push plates and touch-free sensors have been specifically designed to work with our cisterns and in-wall frame systems.

The table below summarises the compatibility of each:

Concealed Cisterns							
	OSMO F1	OSMO T1	Vantage	Prestige	Miniflo	Phantom (Pneumatic)	Pushflo
Dualflush Push Buttons							
Geo		✓	✓	✓	✓	✓	
Dio		✓	✓	✓	✓	✓	
Miniflo		✓	✓	✓	✓	✓	
CP Round		✓	✓	✓	✓	✓	
Piazza		✓	✓	✓	✓	✓	
Remora		✓	✓	✓	✓	✓	
Royal Twin Palm		✓	✓	✓	✓	✓	
OSMO F1 Actuator Right Hand	✓						
OSMO F1 Actuator Left Hand	✓						
Single Flush Push Buttons							
Piazza		✓	✓	✓	✓	✓	
CP Round		✓	✓	✓	✓	✓	
Royal		✓	✓	✓	✓	✓	
Palm Push Royal		✓	✓	✓	✓	✓	
Remora		✓	✓	✓	✓	✓	
Plates							
Drift		✓	✓	✓	✓	✓	
Reef		✓	✓	✓	✓	✓	
Coral		✓	✓	✓	✓	✓	
Oyster		✓	✓	✓	✓	✓	
Pebble		✓	✓	✓	✓	✓	
Pearl		✓	✓	✓	✓	✓	
Pearl Palm		✓	✓	✓	✓	✓	
Infra-Red							
Wave S1		✓	✓	✓	✓	✓	
Wave S2		✓	✓	✓	✓	✓	
Wave S3		✓	✓	✓	✓	✓	
Vandal-Resistant							
Metal Royal		✓	✓	✓	✓	✓	
Flat Metal							✓
Metal Pearl Plate		✓	✓	✓	✓	✓	
Remora Plate		✓	✓	✓	✓	✓	
Touch-Free							
Electroflo upgrade kit		✓	✓	✓	✓	✓	

Dualflush Push Buttons

Wall-Hung Sanitaryware Frames

	Illusion A	Illusion v
Dualflush Push Buttons		
Geo	✓	✓
Dio	✓	✓
Miniflo	✓	✓
CP Round	✓	✓
Piazza	✓	✓
Remora	✓	✓
Royal Twin Palm	✓	✓
OSMO F1 Actuator Right Hand		
OSMO F1 Actuator Left Hand		
Single Flush Push Buttons		
Piazza	✓	✓
CP Round	✓	✓
Royal	✓	✓
Palm Push Royal	✓	✓
Remora	✓	✓
Plates		
Drift	✓	✓
Reef	✓	✓
Coral	✓	✓
Oyster	✓	✓
Pebble	✓	✓
Pearl	✓	✓
Pearl Palm	✓	✓
Infra-Red		
Wave S1	✓	✓
Wave S2	✓	✓
Wave S3 *	✓	✓
Vandal-Resistant		
Metal Royal	✓	✓
Flat Metal		
Metal Pearl Plate	✓	✓
Remora Plate	✓	✓
Touch-Free		
Electroflo for concealed cisterns	✓	✓

Dualflush and single flush buttons must be installed in conjunction with dualflush and single flush cisterns respectively.

Urinal Flushing

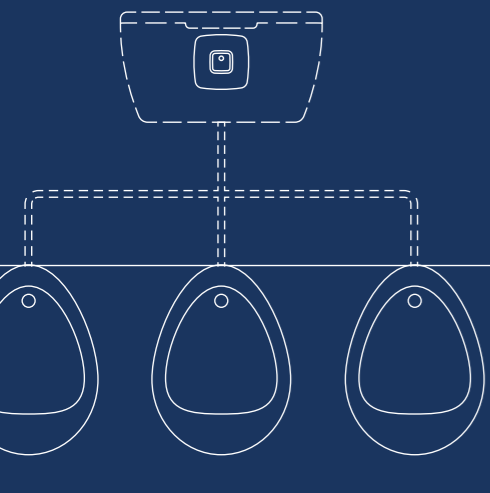
SIMPLY INTELLIGENT



Intelligent, versatile & multi-functional, urinal flushing made simple.

TYDE's product range considerably simplifies the set-up, installation and, in particular, offers exceptional reliability to urinal systems.

TYDE's urinal flushing products are designed to save time, guarantee accurate water-savings, increase hygiene and be installed with confidence in any commercial washroom installation.



SIMPLY INTELLIGENT

Intelligent urinal flushing made simple.

Designed to reduce water consumption and ensure the highest levels of hygiene are met in commercial washroom installations.

06 Urinal Flushing

Urinal Flush Controls

Kinetic® Intelligent Urinal Flush Control

TOUCH FREE URINAL CONTROLS // WASHROOM FILL & FLUSH

The Kinetic has been designed to optimise the water management of automatic cisterns and multiple station urinal installations.

Attractively styled and multi-functional, the Kinetic is an "all-in-one" electronic control, designed to save time and guarantee water-savings in commercial washroom installations.

Water Saving

- Regulates flushing based on actual wash-room usage to save up to 80% of water when compared to traditional systems

Features

- Installation flexibility; pipe, wall, or ceiling mounted
- Supplied with aesthetically pleasing flush mounting kit for neat ceiling installation
- Power options; mains, 4xAA battery, or mains 240V AC direct
- Control box can be installed remotely from solenoid (supplied with 1m cable as standard)
- Quick and easy filter service as the valve set does not

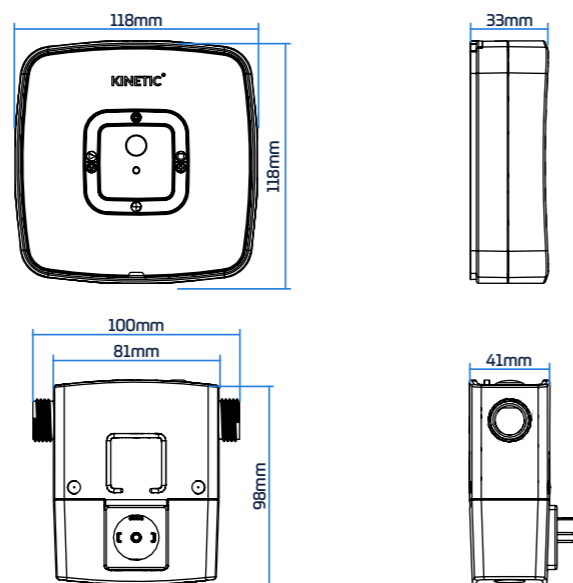
- need to be dismantled
- Passive IR sensor detects user movement to provide an efficient flushing system
- Fast fill reduces scale build up
- Suitable for water pressures ranging from 0.1 bar to 10 bar
- 6 litre per minute flow regulation
- Quick and simple set up via user-friendly buttons and intuitive software without having to continually refill and empty the automatic cistern
- 12 hour hygiene and 24 hour economy flushing modes can also be quickly configured to customer requirements
- Tamper proof design and chrome fittings are conveniently included
- WRAS approved
- Control box dimensions: 118mm(h) x 118mm(w) x 33mm(d)
- Solenoid box dimensions: 98mm(h) x 100mm(w) x 50mm(d)

Options

- White/Grey finish
- Mains
- Battery

Finish	
White/White	327877
Grey/Grey	327878

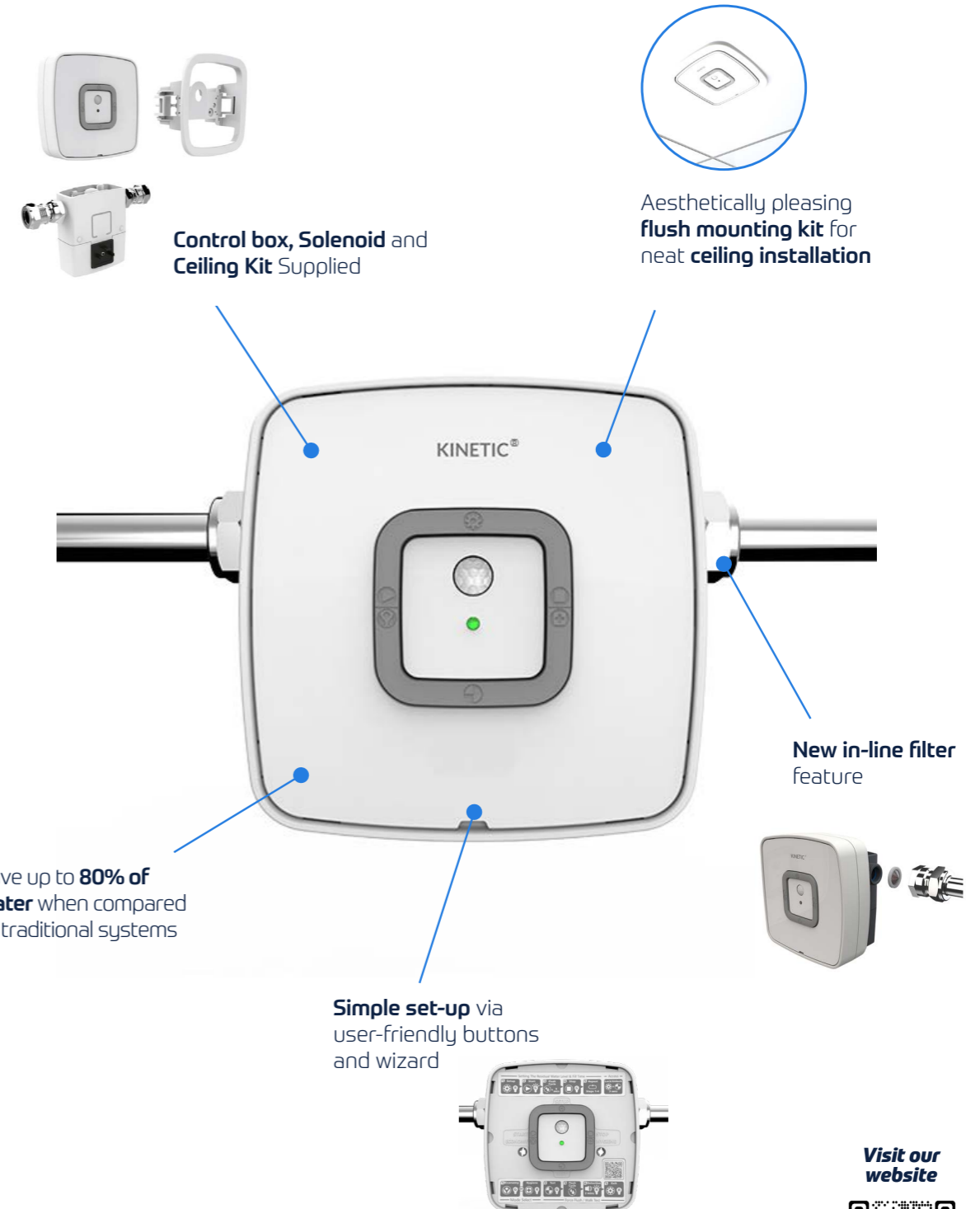
Kinetic Package Options	
Includes: Kinetic in White/White, 4.5L Dudley 'D' Auto Cistern, 1pc Sparge Pipe Set & Top Inlet Spreader	330272
Includes: Kinetic in White/White, 9L Dudley 'D' Auto Cistern, 2pc Sparge Pipe Set & Top Inlet Spreaders	330273
Includes: Kinetic in White/White, 13.5L Dudley 'D' Auto Cistern, 3pc Sparge Pipe Set & Top Inlet Spreaders	330274



Technical Data	
Finish	White, Grey
Operating Voltage	6V DC (Integrated transformer)
Mains Supply	230V AC 50Hz
Battery Supply	4 x 1.5V AA
Sensor Range	5m, 80° Cone
Solenoid Valve Type	6V Latching
Solenoid Valve Connection	15mm Compression
Operating Pressure	Min. 0.1 Bar - Max. 10 Bar



Kinetic® Intelligent Urinal Flushing Control



Visit our website



06 Urinal Flushing

Urinal Flush Controls

Electroflo® Touch-free Urinal Sensor

TOUCH FREE URINAL CONTROLS // WASHROOM FILL & FLUSH

The Electroflo urinal sensor provides touch free flushing for direct urinal systems; sitting neatly above the urinal bowl and can be used with confidence in most commercial applications.

This high quality sensor automatically flushes each individual urinal after use, ensuring the highest level of hygiene from the minimum volume of water.

Water Saving

- Delivering as little as 1 litre of water per flush to provide significant savings compared with traditional petcocks
- Supports BREEAM

Features

- Sensor bezel available in polished chrome, stainless steel effect and matt black finishes

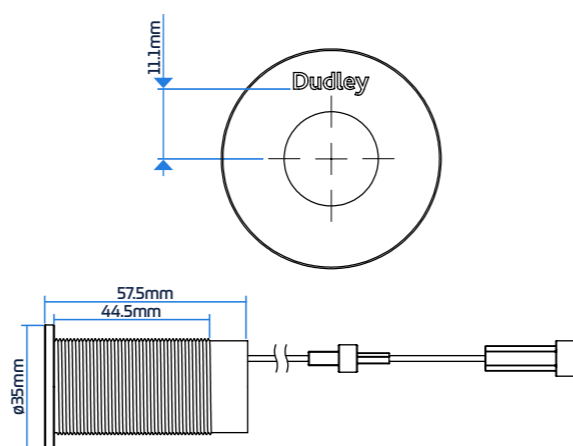
Product	Code
Electroflo™ Touch-free Urinal Sensor Chrome - Mains	323687
Electroflo™ Touch-free Urinal Sensor Chrome - Battery	323686
Electroflo™ Touch-free Urinal Sensor Stainless Steel - Mains	327979
Electroflo™ Touch-free Urinal Sensor Matt Black - Mains	333959
Battery Box for Electroflo™ Urinal	323694



- Flow time is programmable from 1 – 20 seconds, using optional remote control
- Adjustable flow rate and flush time
- Suitable for pressures of 0.3-8.0 bar
- Sensor is supplied with solenoid valve
- Can be supplied with Dudley DC Pipe Interrupter (air gap) to prevent bacteria contaminating the mains water supply and to achieve fluid category 5 back flow prevention
- Can be set to automatic 24 hour hygiene flush
- Reprogrammable with separately supplied remote control

Options

- Chrome, Stainless Steel & Matt Black
- 35mm dia sensor surround or choice of sensor plates
- 9V externally mounted battery or mains powered



Technical Data	
Operating Voltage	9V DC
Mains Supply	230V AC 50Hz
Battery Supply	9V
Operating Pressure	0.5-8.0 Bar
Sensor Range	300 - 800mm Adjustable
Preset Flush Time	6 Seconds

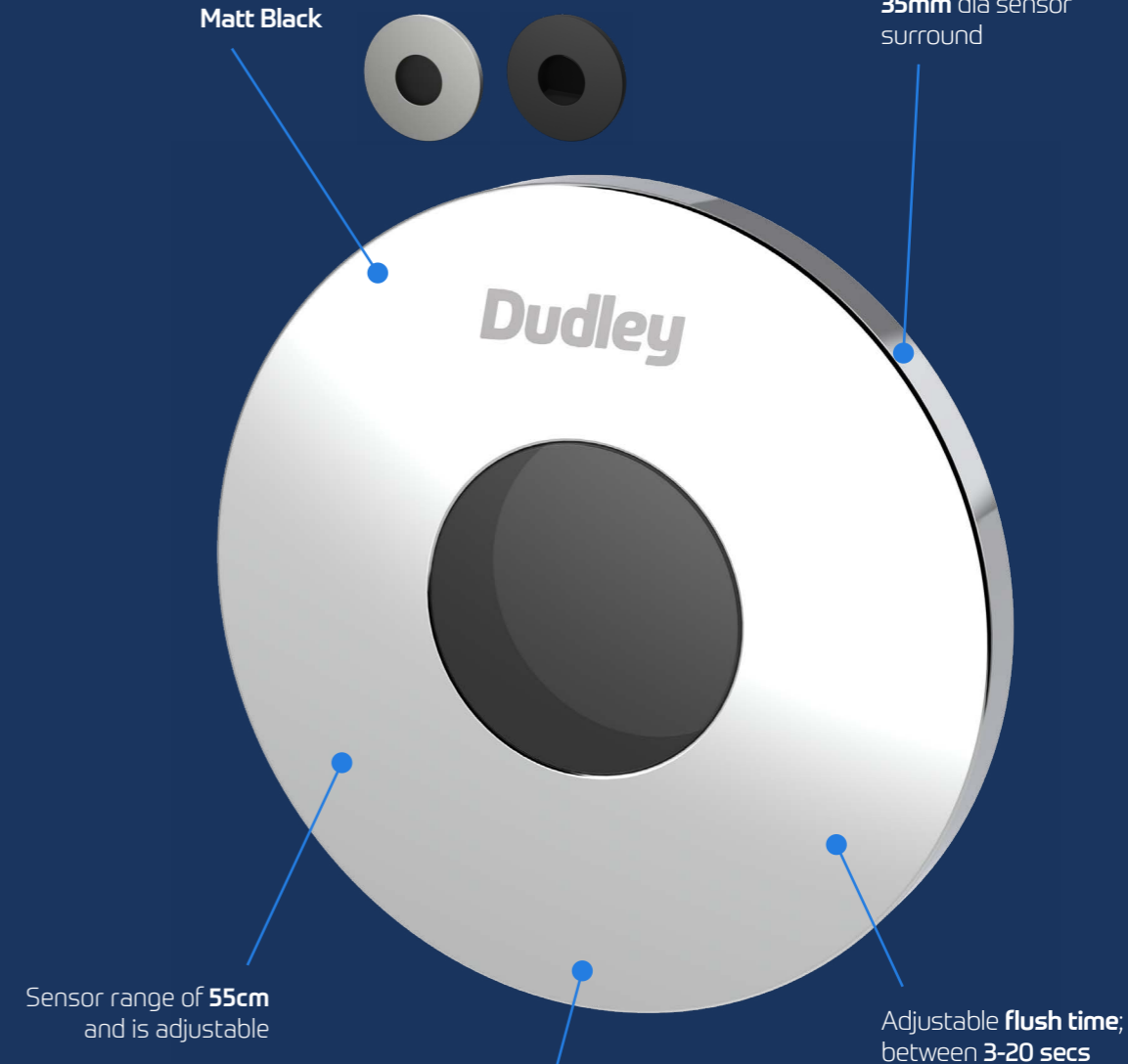
Visit our website



Electroflo® Touch-free Urinal Sensor

Available in **Chrome, Stainless steel & Matt Black**

35mm dia sensor surround



Solenoid valve comes with **15mm pushfit connector & 1/2" BSP connectors** respectively & can be easily installed in to partitioning materials & tiles

Visit our website



06 Urinal Flushing Auto Cisterns

"D" Auto™ Automatic Urinal Flushing Cistern

TOUCH FREE URINAL CISTERN // WASHROOM FILL & FLUSH

Automatic urinal flushing cistern for commercial applications.

Features

- 498mm [W] x 295mm [H] x 186mm [D]
- Cistern body in high-impact polystyrene
- Outlet centre 93mm from wall
- Supplied with Dudley Auto Syphon and petcock
- For compliance to water regulations, additional flow control measures are required
- Use in combination with Dudley Kinetic® for full regulatory compliance.

Options

- 9L & 13.5L
- High Gloss Black Finish



Visit our website



Technical Data	
Material	High Impact Polystyrene (PS)
Inlet	Petcock
Outlet	Dudley Auto Syphon
Flush Volume	4.5 Litre, 9 Litre, 13.5 Litre

Product	Code
"D" Auto™ - Automatic Urinal Flushing Cistern - White [4.5L]	317960

Tri-Shell® Auto Heavy-duty Automatic Urinal Flushing Cistern

TOUCH FREE URINAL CISTERN // WASHROOM FILL & FLUSH

Automatic urinal flushing cistern for commercial applications, especially where risk of vandalism or misuse is present.

Features

- 516mm [W] x 287mm [H] x 188mm [D]
- Cistern body manufactured using a unique sandwich, foam moulding with a cellular core making it exceptionally strong
- Ideal for areas which may be subject to vandalism
- Outlet centre 90mm from wall
- Supplied with Dudley Auto Syphon and petcock
- For compliance to water regulations, additional flow control measures are required
- Use in combination with Dudley Kinetic® for full regulatory compliance

Options

- 9L & 13.5L
- High Gloss Black Finish



Visit our website



Technical Data	
Material	High Impact Polystyrene (PS)
Inlet	Petcock
Outlet	Dudley Auto Syphon
Flush Volume	4.5 Litre, 9 Litre, 13.5 Litre

Product	Code
Tri-shell® Auto - Heavy-duty Automatic Urinal Flushing Cistern - White [4.5L]	315633

Acclaim® Auto Automatic Urinal Flushing Cistern

TOUCH FREE URINAL CISTERN // WASHROOM FILL & FLUSH

Automatic urinal flushing cistern for commercial applications.

As with every Dudley product, our automatic cisterns undergo exhaustive and rigorous testing which means that when they are installed, reliability and durability come as standard.

Features

- 460mm [W] x 343mm [H] x 155mm [D]
- Cistern body in high-impact polystyrene
- Outlet centre 74mm from wall
- Supplied with Dudley Auto Syphon and petcock
- For compliance to water regulations, additional flow control measures are required
- Use in combination with Dudley Kinetic® for full regulatory compliance.

Options

- 9L



Visit our website



Technical Data	
Material	High Impact Polystyrene (PS)
Inlet	Petcock
Outlet	Dudley Auto Syphon
Flush Volume	4.5 Litre, 9 Litre

Product	Code
Acclaim® - Automatic Urinal Flushing Cistern [4.5L]	314934

Mirage™ Concealed Auto Automatic Urinal Flushing Cistern

TOUCH FREE URINAL CISTERN // WASHROOM FILL & FLUSH

Concealed automatic urinal flushing cistern for commercial applications.

Perfect for use in modern concealed washrooms.

Features

- 505mm [W] x 285mm [H] x 146mm [D]
- Cistern body in high-impact polystyrene
- Outlet centre 73mm from wall
- Supplied with Dudley Auto Syphon and petcock
- For compliance to water regulations, additional flow control measures are required
- Use in combination with Dudley Kinetic® for full regulatory compliance

Options

- 9L & 13.5L



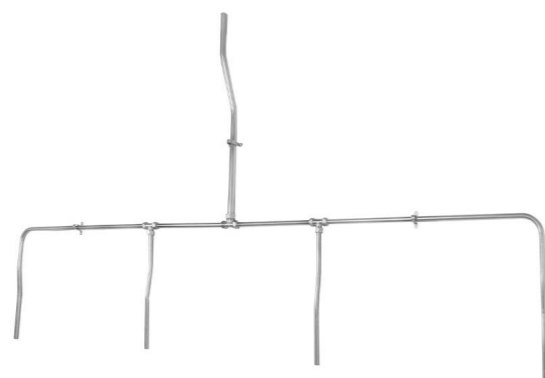
Visit our website



Technical Data	
Material	High Impact Polystyrene (PS)
Inlet	Petcock
Outlet	Dudley Auto Syphon
Flush Volume	4.5 Litre, 9 Litre, 13.5 Litre

Product	Code
Mirage™ Concealed Automatic Urinal Flushing Cistern [4.5L]	314128

06 Urinal Flushing Accessories



Auto Syphons

WRAS APPROVED AUTOMATIC SYPHON

When it comes to controlling the flushing of urinals, the Auto Syphon is still the most inexpensive, trouble-free and simple to install product on the market.

The Auto Syphon requires NO electricity supply and with no moving parts it requires virtually no maintenance.

Designed to cater for the varied flushing requirements of large and small urinal W.C installations of all types conform to BS 1876 and are available in two outlet sizes.

All Auto Syphons are supplied complete with two rubber washers & back nut. Each Auto Syphon is fully tested before leaving the factory.

- Easily controlled to minimise water usage
- Requires no electricity supply
- Requires virtually no maintenance
- Simple to install

Size/Flushing Height	Code
140mm (5½") – 1" BSPT	364932
140mm (5½") – 1¼" BSPT	325939
159mm (6¼") – 1" BSPT	364944
159mm (6¼") – 1¼" BSPT	364947
191mm (7½") – 1" BSPT	364948
191mm (7½") – 1¼" BSPT	364953
210mm (8¼") – 1" BSPT	364955
210mm (8¼") – 1¼" BSPT	364958
235mm (9¼") – 1" BSPT	364959
235mm (9¼") – 1¼" BSPT	364963

Sparge Pipe Sets

STAINLESS STEEL SPARGE PIPE SETS

Manufactured from stainless steel, TYDE's sparge pipe sets are a great solution for getting the water supply from the cistern to your urinal(s). Stainless Steel Sparge Pipe Sets include brackets and fixings.

- Stainless Steel
- Includes Brackets & Fixings
- 23mm Bowl Offset
- 90mm Cistern Offset
- Top pipework is 22mm, reducing to 15mm in bowls
- Multiple Bowl set options

Product	Code
1 Bowl Set	330621
2 Bowl Set	330622
3 Bowl Set	330623
4 Bowl Set	330624

Petcock

ADJUSTABLE FLOW CONTROL PETCOCK. FOR USE WITH AUTOMATIC SYPHONS

Adjustable Flow Control Petcock, suitable for use with Automatic Syphons. Once the auto syphon has flushed and emptied the water from the cistern, this product will allow the cistern to slowly fill back up.

- ½" BSP conenction
- Fitted to inlet pipe for adjustable flow control
- Can be easily adjusted by removing end cap, & twisting the valve inside to control fill rate to desired flow
- For compliance to Water Regulations, additional flow control measures are required



Item	Code
Petcock (½" BSPT)	364979

Urinal Spreader

URINAL SPREADER

The urinal Spreaders are manufactured from solid brass with a chrome plated finish.

These are a great way of getting water to the urinal bowls

- Top inlet is a push-fit mechanism; easy install
- Mostly used as a replacement in exposed urinal cistern systems
- Back Inlet Tail is made from solid brass and head has a smooth chrome finish



Inlet	Code
Back	364968
Top	364969



DC Pipe Interrupter

DC PIPE INTERRUPTER FOR USE WITH URINALS AND DIRECT FLUSH URINAL SENSORS

DC Pipe Interrupters provide Fluid Category 5 backsiphonage protection (vacuum on the supply).

- Water regulations specify the use of a fluid category 5 backflow protection device within all direct flush urinal systems
- Factory fitted with an interchangeable 3L p/m flow regulator
- Configurable; supplied with 4L p/m and 5L p/m
- Regulators for use in higher flow rate installations
- 15mm Inlet / 22mm Outlet
- Prevents bacteria contaminating mains water supply
- For use with urinals & direct flush urinal sensors

Item	Code
DC Pipe Interrupter	327995



Urinal Brackets

NARROW URINAL BRACKETS (PAIR)

- Narrow Urinal Brackets
- Supplied in Pairs

Item	Code
Urinal Brackets	367401



Stainless Steel Urinal Waste

STAINLESS STEEL REMOVABLE DOME COVER

Our Urinal Wastes are the perfect addition to your bathroom needs. With a stylish chrome plated threaded brass body and stainless steel domed top, this waste will give a stylish look to your urinals.

- Brass Body
- 3¾" Tail Length
- 2½" Flange Size

Size	Code
1¼"	368205
1½"	368208



Plastic Urinal Waste

WHITE PLASTIC FIXED DOME TOP

Our Urinal Wastes are the perfect addition to your bathroom needs. With a simple plastic threaded body and plastic domed top, this waste will give a traditional look to your urinals.

- Plastic Body
- Short and Long Tail Length Available
- 2½" Flange Size

Size	Code
1¼"	368206
1½" Short Tail	368210

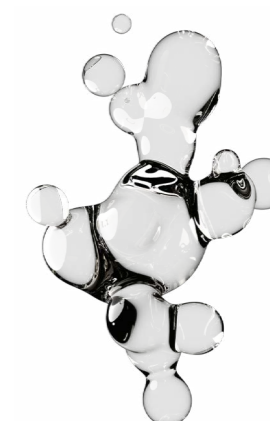


Basin/Urinal Bracket

HEAVY DUTY BASIN/URINAL BRACKET

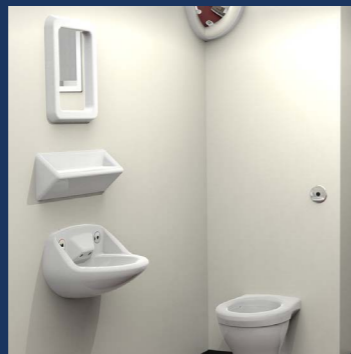
- Suitable for Basin and Urinal
- Supplied in Pairs

Item	Code
Basin/Urinal Bracket	367398



Resan Sanitaryware

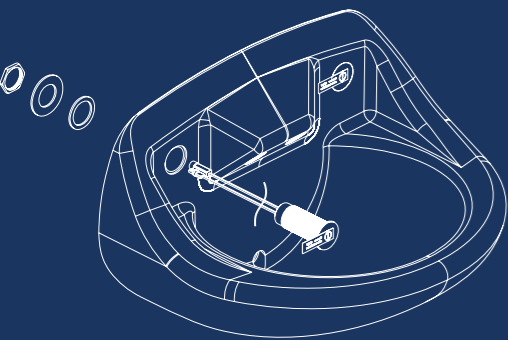
POWERFULLY STYLED



Our proactive, customer-focused approach enables us to overcome any given installation challenge with a complete end-to-end service.

Resan is naturally suitable in a wide range of commercial applications. It's highly robust, long lasting durable vandal-resistant

sanitaryware places it firmly within high use public washrooms and any bathroom that is likely to see potential vandalism. At the same time, its normalised appearance is conducive towards mental health and general healthcare applications.



POWERFULLY STYLED

The vandal-resistant sanitaryware that's tougher than stainless steel but styled like ceramic and manufactured in the UK by TYDE.

TYDE has successfully worked in partnership with specifiers, architects, contractors & merchants for many years.

07 Resan Sanitaryware Pans

Resan® Pan Standard Height

RESAN SANITARYWARE // WASHROOM FILL & FLUSH

Damage Resistant Toilet Pan Standard Height with Polished Resin for Gloss Effect.

Utilising modern styling, our WC pan helps normalising the environment, making use of a fully rimless hygienic flush design, with no ledges or steps within the internal bowl shape, reducing the chances of staining sanitaryware as water is prevented from staying on surfaces where lime scale can build up.

Contrasting colour integral seats are available with a range of Resan WC Pans. These are particularly suitable for some public washrooms that have a requirement to conform to Approved Document M as well as environments such as Care Homes and Disabled Washroom facilities.

All coloured seats are cast of the same material as our WC pans and the colour is throughout the product, therefore if it is scratched, it can simply be refinished on site with minimum fuss or time.

Resan Pan			
Fitting	Finish	Seat	Code
Bolt To Floor	Polished Resin for Gloss Effect	Plain Seat Open Rim	334074
Bolt To Floor	Polished Resin for Gloss Effect	Blue Seat Open Rim	334075
Bolt To Floor	Polished Resin for Gloss Effect	Grey Seat Open Rim	372065
Bolt To Wall	Polished Resin for Gloss Effect	Blue Seat Open Rim	334076
Bolt To Wall	Polished Resin for Gloss Effect	Grey Seat Open Rim	334534
Bolt To Wall	Polished Resin for Gloss Effect	Plain Seat Open Rim	333986

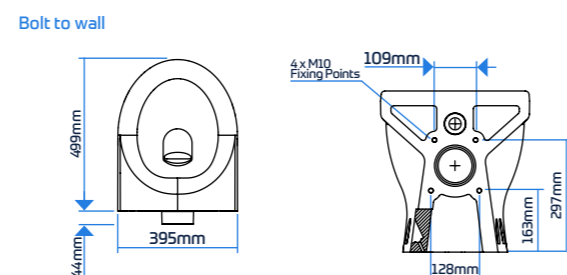
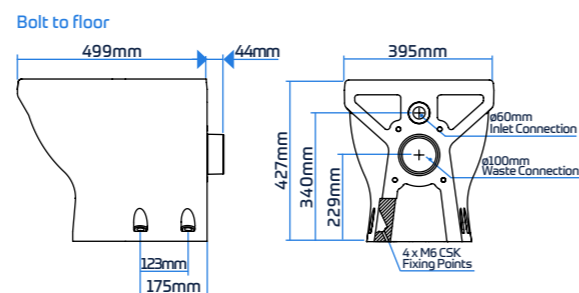


Features

- Standard white WC pans are cast in a single piece, reducing join joints which are difficult to clean and enhancing strength
- The waste spigot height is 229mm
- Contrasting colour integral seats are available with a range of Resan WC Pans
- Non-Flammable – BS476 Pt 6 & 7 Class '0' and Class '1'
- ISO EN 19712-3-2007 Rated 5 for durability, stain resistance and cigarette burns
- BS EN 997 6/4 Litre and 5/3 Flush Approval
- BREEAM rated
- CE Marked
- UK Ministry Of Justice Safer Cell Approved [Bolt to wall only]

Options

- Bolt to floor
- Bolt to wall
- Plain seat open rim
- Blue seat open rim
- Grey seat open rim

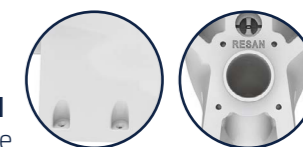


Technical Data	
Material	Polymer Resin
Available finishes	Matt, Gloss
Product Weight	46 kg
Fixing Orientation	Floor Fixed / Wall Fixed
Fixing Size	M6 CSK Floor fixing points / M10
Standard Conformity	BS 476 Pt.6 Fire propagation & surface spread of flame. ISO EN 19712-3-2007 Rated 5 for durability, stain resistance, cigarette burns etc.

Resan® Pan - Standard Height

Standard white WC pans are cast in a single piece, **reducing join joints** which are difficult to clean and **enhancing strength**

Bolt to floor and bolt to wall options available



The contrasting colour seat (when specified) is integral to the WC pan. It is **permanently bonded, non-moveable or removable** and is available in both **blue and grey** colours, with other bespoke colours available during project consultation

Visit our website



07 Resan Sanitaryware

Pans

Resan® Pan For Less Aabled

RESAN SANITARYWARE // WASHROOM FILL & FLUSH

Damage Resistant Toilet Pan for Less Aabled with Polished Resin for Gloss Effect.

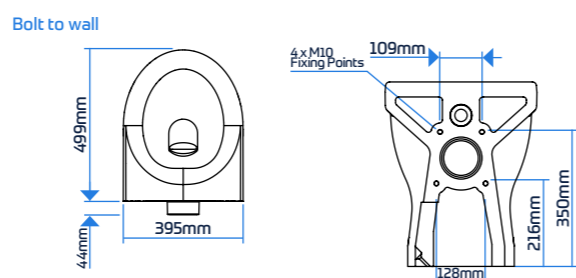
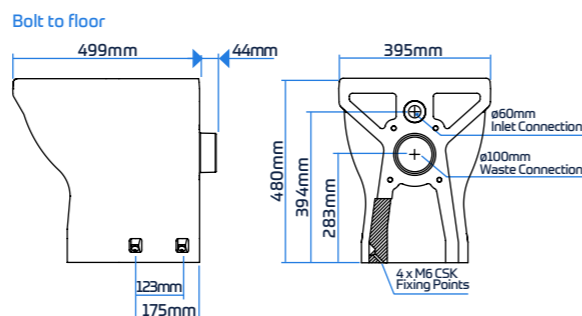
Utilising modern styling, our WC pan helps normalising the environment, making use of a fully rimless hygienic flush design, with no ledges or steps within the internal bowl shape, reducing the chances of staining sanitaryware as water is prevented from staying on surfaces where lime scale can build up.

This raised height WC is considered as 'comfort height' being 480mm high rather than the standard 415mm. An extension box is also provided which extends the projection of the pan out from the wall to 750mm from the standard 500mm. This ensures full compliance towards 'Doc M' (Approved Document M). Both these features are particularly useful in care home applications but also in less aabled facilities and washrooms.

Features

- Standard white WC pans are cast in a single piece, reducing join joints which are difficult to clean and enhancing strength
- The waste spigot height is 283mm
- Contrasting colour integral seats are available with a range of Resan WC Pans
- Extension Box not fitted as standard, an extension box can be provided which extends the projection of the pan out from the wall to 750mm from the standard 500mm
- These are particularly suitable for public washrooms which must conform to Approved Document M as well as environments such as Care Homes and Disabled Washroom facilities
- This raised height WC is considered as 'comfort height' being 480mm high rather than the standard 415mm
- Non-Flammable – BS476 Pt 6 & 7 Class '0' and Class '1'
- ISO EN 19712-3-2007 Rated 5 for durability, stain resistance and cigarette burns
- BS EN 997 6/4 Litre and 5/3 Flush Approval
- BREEAM rated
- CE Marked
- UK Ministry Of Justice Safer Cell Approved [Bolt to wall only]

Resan Pan			
Fitting	Finish	Seat	Code
Bolt to Floor	Polished Resin for Gloss Effect	—	372561
Bolt to Floor	Polished Resin for Gloss Effect	Plain Blue	372562
Bolt to Floor	Polished Resin for Gloss Effect	Plain Grey	372563
Bolt to Wall	Polished Resin for Gloss Effect	—	372558
Bolt to Wall	Polished Resin for Gloss Effect	Plain Blue	372559
Bolt to Wall	Polished Resin for Gloss Effect	Plain Grey	372560
Extension Box Only			372564



Technical Data	
Material	Polymer Resin
Available finishes	Matt, Gloss
Product Weight	52 kg
Fixing Orientation	Floor Fixed / Wall Fixed
Fixing Size	M6 CSK Floor fixing points / M10
Standard Conformity	BS 476 Pt.6 Fire propagation & surface spread of flame. ISO EN 19712-3-2007 Rated 5 for durability, stain resistance, cigarette burns etc.

Resan® Pan for Less Aabled

This **raised height** WC is considered as '**comfort height**' being **480mm** high rather than the standard **415mm**

Extension box can be provided, extending the projection of the pan out from the wall to **750mm** from the standard **500mm**



The **Damage resistant & anti-ligature**

The **waste spigot** height is **283mm**



Contrasting **colour** integral seats are available. These are particularly suitable for public washrooms which must conform to **Approved Document M** as well as environments such as **Care Homes** and **Disabled Washroom** facilities.

Visit our website



07 Resan Sanitaryware

Pans

Resan® Pan Standard Height with Seat Fixing Holes

RESAN SANITARYWARE // WASHROOM FILL & FLUSH

Damage Resistant Toilet Pan Standard Height with Polished Resin for Gloss Effect - with Seat Fixing Holes.

Utilising modern styling, our WC pan helps normalising the environment, making use of a fully rimless hygienic flush design, with no ledges or steps within the internal bowl shape, reducing the chances of staining sanitaryware as water is prevented from staying on surfaces where lime scale can build up.

A heavy duty ABS plastic seat can be fitted with this version of our WC Pan (Please note, seat is NOT included as standard with this version).

This is particularly useful where specifications ask for a separate seat and lid, rather than our integral seat WC.

This would typically be used in medium duty

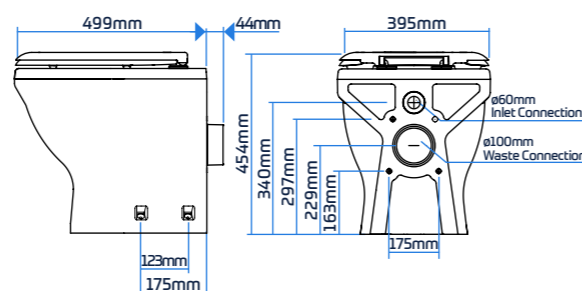
Resan Pan			
Fitting	Finish	Seat	Code
Bolt to Wall	Polished Resin for Gloss Effect	Seat Fixing Holes	334070
Bolt to Floor	Polished Resin for Gloss Effect	Seat Fixing Holes	334072
Seat Option			
Item	Code		
Eve White - Thermoset Plastic Toilet Seat	320725		
C33 Top Fix Easy Fit Stainless Steel Hinge	320913		



applications or where users must be able to use the WC as a seat; typically seen in secure prison environments.

Features

- The waste spigot height is 229mm
- Standard white WC pans are cast in a single piece, reducing join joints which are difficult to clean and enhancing strength
- Seat is NOT included with this model
- Contrasting colour integral seats are available with a range of Resan WC Pans.
- Non-Flammable – BS476 Pt 6 & 7 Class '0' and Class '1'
- ISO EN 19712-3-2007 Rated 5 for durability, stain resistance and cigarette burns
- BS EN 997 6/4 Litre and 5/3 Flush Approval
- BREEAM rated
- CE Marked



Technical Data	
Material	Polymer Resin
Available finishes	Matt, Gloss
Product Weight	52 kg
Fixing Orientation	Floor Fixed / Wall Fixed
Fixing Size	M6 CSK Floor fixing points / M10
Standard Conformity	BS 476 Pt.6 Fire propagation & surface spread of flame. ISO EN 19712-3-2007 Rated 5 for durability, stain resistance, cigarette burns etc.

Resan® Pan - Standard Height with Seat Fixing Holes

A heavy duty ABS plastic seat can be fitted with this version of our WC Pan (Please note, seat is NOT included as standard with this version)

If the seat is damaged, it is easily replaced and the fixing points to the WC are permanently bonded in



The Damage resistant & anti-ligature

The waste spigot height is 229mm

Standard white WC pans are cast in a single piece, reducing join joints which are difficult to clean and enhancing strength

Visit our website



07 Resan Sanitaryware Basins

Resan® Oval Basin

RESAN SANITARYWARE // WASHROOM FILL & FLUSH

Damage Resistant Oval Wall Fixed Wash Basin.

Our oval basin is a wall fixed basin, designed specifically as a straight retrofit to equivalent vitreous china ceramic equivalent basin.

This is particularly advantageous in applications that demand reduced downtime of washrooms, such as prison and other custodial applications, as we have also developed alongside this basin, a cast iron fixing bracket that reduces the likelihood of the bracket cracking during extended product abuse.

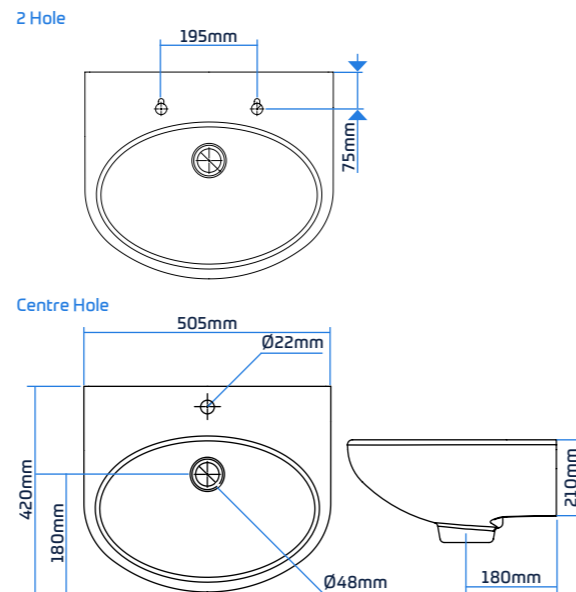
All our solid surface sanitary ware uses a unique blend of polyester resin and aluminium tri-hydrate that creates an incredibly reliable anti-vandal solution while also enhancing a durable long-lasting finish that does not use a gel coat layer, so the surface can be easily renewed on-site, unlike

Product	Code
Resan® Centre Hole Basin	333973
Resan® 2 Hole Basin	330813
Cast Iron Fixing Bracket	333413
Basin Waste Extended Tail 1½"	332344

fibreglass composite alternatives, stainless steel or vitreous china ceramic sanitaryware.

Features

- Damage resistant basins, ideal for use in all applications where there may be the potential for vandalism, heavy treatment or misuse
- Back to wall design can be mounted using our bespoke fixing bracket (Basin Waste with extended tail required with this option) See page 125
- Can be installed in conjunction with anti-ligature, water-saving basin controls
- Water flow can be activated with pneumatic or electronic controls – please enquire
- Non-Flammable – BS476 Pt 6 & 7 Class '0' and Class '1'
- ISO EN 19712-3-2007 Rated 5 for durability, stain resistance and cigarette burns



Technical Data	
Material	Polymer Resin
Available finishes	Matt, Gloss
Product Weight	21 kg
Fixing Orientation	Wall Fixed (Bracket Required)
Standard Conformity	BS 476 Pt.6 Fire propagation & surface spread of flame. ISO EN 19712-3-2007 Rated 5 for durability, stain resistance, cigarette burns etc.

Resan® Oval Basin

Ideal for use in **Prisons** or other **Custodial** applications as TYDE has developed a **cast iron fixing bracket** that reduced the likelihood of the bracket cracking during **extended product** abuse



Visit our website



07 Resan Sanitaryware Basins

Resan® Rectangular Basin

RESAN SANITARYWARE // WASHROOM FILL & FLUSH
Damage Resistant Rectangular Basin.

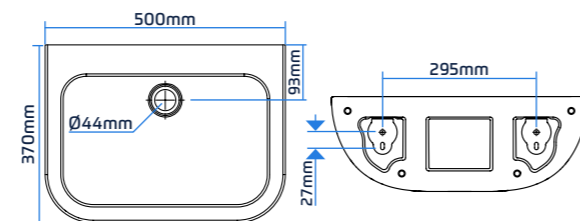
Our Rectangular basin is a wall fixed basin, designed specifically as a straight retrofit to equivalent vitreous china ceramic equivalent basin. This is particularly advantageous in applications that demand reduced downtime of washrooms.

All our solid surface sanitary ware uses a unique blend of polyester resin and aluminium tri-hydrate that creates an incredibly reliable anti-vandal solution while also enhancing a durable long-lasting finish that does not use a gel coat layer, so the surface can be easily renewed on-site, unlike fibreglass composite alternatives, stainless steel or vitreous china ceramic sanitaryware.

Features

- Damage resistant basins, ideal for use in all applications where there may be the potential for vandalism, heavy treatment or misuse
- Back to wall design allows all pipework to be safely concealed
- Can be installed in conjunction with water-saving basin controls
- Water flow can be activated with pneumatic or electronic controls – please enquire
- Easy clean matt and gloss finishes
- Bespoke colours and designs can be supplied subject to sufficient demand
- Non-Flammable – BS476 Pt 6 & 7 Class '0' and Class '1'
- ISO EN 19712-3-2007 Rated 5 for durability, stain resistance and cigarette burns

Product	Code
Resan® Rectangular Basin	330812



Technical Data	
Material	Polymer Resin
Available finishes	Matt, Gloss
Product Weight	22 kg
Fixing Orientation	Wall Fixed
Standard Conformity	BS 476 Pt.6 Fire propagation & surface spread of flame. ISO EN 19712-3-2007 Rated 5 for durability, stain resistance, cigarette burns etc.

Resan® Rectangular Basin

Water flow can be activated with **pneumatic** or **electronic** controls

Back to wall design allows all **pipework** to be **safely concealed**



Damage resistant & anti-ligature

Can be installed in conjunction with **anti-ligature, water-saving basin controls**

Visit our website



07 Resan Sanitaryware Basins

Resan® Anti-Ligature Basin Nose and 2 Tap Outlets Pneumatic Controls

RESAN SANITARYWARE // WASHROOM FILL & FLUSH

Anti Ligature Basins Nose and Two Tap Outlets

Our Anti Ligature Basins Nose are available in various formats. This basin is what we define as a 'Nose and 2 Tap Outlets.' It has an anti-ligature concealed tap arrangement in one single piece cast which provides the highest level of anti-ligature design available; we most frequently deploy this version of the basin in healthcare and mental health environments.

This basin is anti-ligature in design reducing the possibilities of self-harm, anti-vandal highly robust solid surface basin with UK Ministry of Justice Safer Cell Approval. Designed for use in high security and healthcare environments with concealed services and fixings.

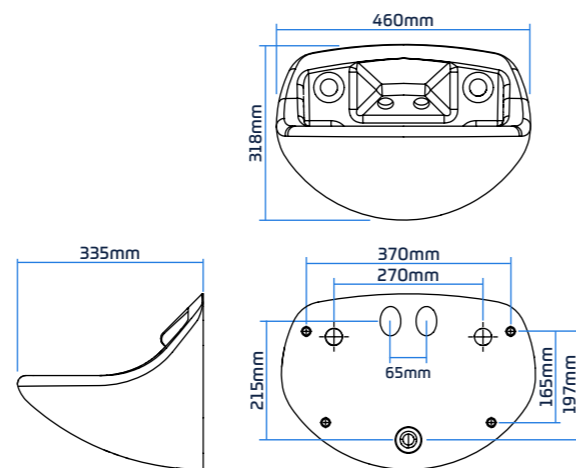
All our solid surface sanitaryware uses a unique blend of polyester resin and aluminium tri-hydrate that creates an incredibly reliable anti-vandal

solution while also enhancing a durable long-lasting finish that does not use a gel coat layer, so the surface can be easily renewed on-site, unlike fibreglass composite alternatives, stainless steel or vitreous china ceramic sanitary ware.

Features

- Damage resistant basins, ideal for use in all applications where there may be the potential for vandalism, heavy treatment or misuse
- Damage resistant and anti-ligature
- Back to wall design allows all pipework to be safely concealed
- Can be installed in conjunction with anti-ligature, water-saving basin controls
- Water flow can be activated with pneumatic or electronic controls – please enquire
- Easy clean matt and gloss finishes
- Bespoke colours and designs can be supplied subject to sufficient demand
- UK Ministry Of Justice Safer Cell Approved

Product	Code
Resan® Basin Suitable for Pneumatic Controls	333883

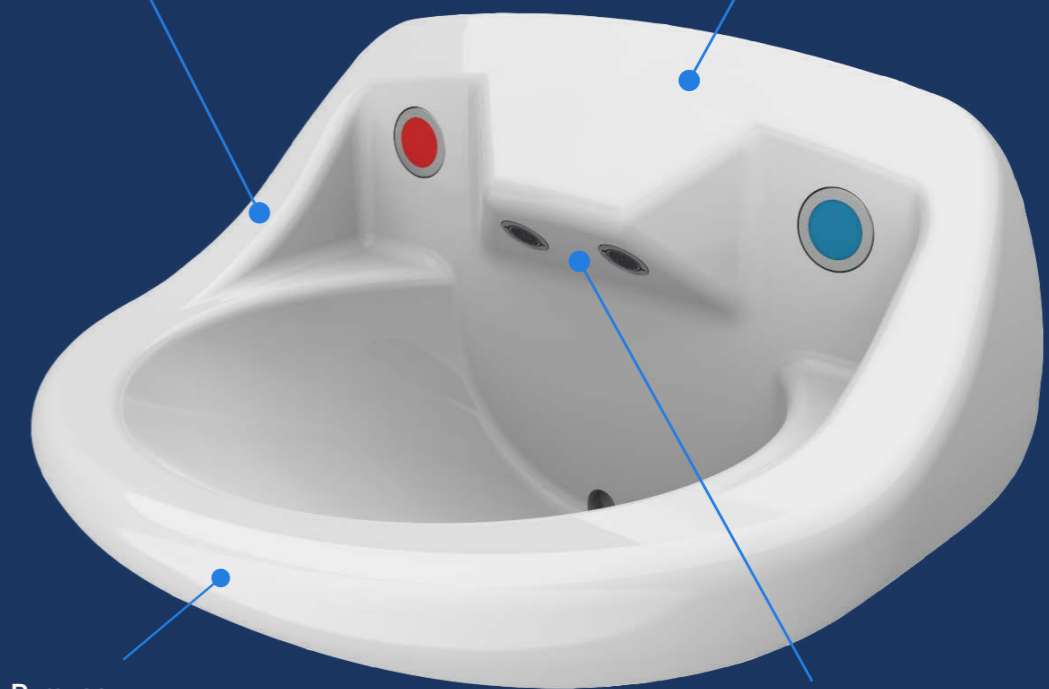


Technical Data	
Material	Polymer Resin
Available finishes	Matt, Gloss
Product Weight	22 kg
Fixing Orientation	Wall Fixed
Standard Conformity	BS 476 Pt.6 Fire propagation & surface spread of flame. ISO EN 19712-3-2007 Rated 5 for durability, stain resistance, cigarette burns etc.

Resan® Anti-Ligature Basin - 2 Tap Outlet - Pneumatic Controls

Highest level of anti-ligature design available; we most frequently deploy this version of the basin in **healthcare** and **mental health** environments.

Styled and finished to provide the most **normalised appearance** possible



Damage resistant & anti-ligature

Dual tap outlet with Pneumatic push button controls

Visit our website



07 Resan Sanitaryware Basins

Resan® Anti-Ligature Basin Nose and 2 Tap Outlets Infra-Red Controls

RESAN SANITARYWARE // WASHROOM FILL & FLUSH

Anti Ligature Basins Nose and Two Tap Outlets.

Our infra-red touch-free sensors are made of machined brass and polished chrome which are extremely vandal resistant and anti-ligature in design. There are no moving parts and use a safe low voltage. Our hygienic touch-free sensors reduce the risk of infection and are combined with our 8-way control box to activate and manage the use of the washroom.

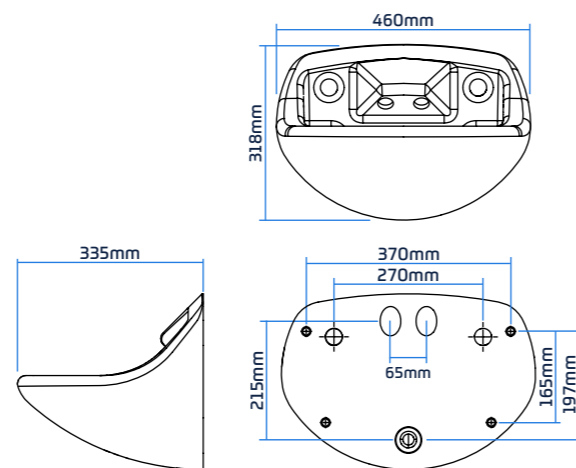
Our infra-red touch-free sensors can be used in through-wall applications up to 170mm thick. The brass fixing rod can be cut to shorter lengths if required and the cable supplied is 4m long so can be located a distance away from the solenoid. There are no moving parts and the sensor bezel is

anti-ligature in design. Sensors can be used with both hot, cold and mix water supplies

Features

- Infra-red Controlled
- Damage resistant basins, ideal for use in all applications where there may be the potential for vandalism, heavy treatment or misuse
- Damage resistant and anti-ligature
- Back to wall design allows all pipework to be safely concealed
- Infra-red touch-free sensors can be used in through-wall applications up to 140mm thick when using extension piece
- Non-Flammable - BS476 Pt 6 & 7 Class '0' and Class '1'
- ISO EN 19712-3-2007 Rated 5 for durability, stain resistance and cigarette burns
- UK Ministry Of Justice Safer Cell Approved

Product	Code
Resan® Basin Suitable for Infra-red Controls	371149



Technical Data	
Material	Polymer Resin
Available finishes	Matt, Gloss
Product Weight	22 kg
Fixing Orientation	Wall Fixed
Standard Conformity	BS 476 Pt.6 Fire propagation & surface spread of flame. ISO EN 19712-3-2007 Rated 5 for durability, stain resistance, cigarette burns etc.

Resan® Anti-Ligature Basin - 2 Tap Outlet - Infra-Red Controls

Highest level of anti-ligature design available; we most frequently deploy this version of the basin in **healthcare** and **mental health** environments.

Styled and finished to provide the most **normalised appearance** possible



Damage resistant & anti-ligature

Dual tap outlet with **Infra-Red** touch-free controls

Visit our website



07 Resan Sanitaryware

Basins

Resan® Anti-Ligature Basin Nose and Single Tap Outlet Pneumatic / Infra-Red Control

RESAN SANITARYWARE // WASHROOM FILL & FLUSH

Anti Ligature Basins Nose and Single Tap Outlet.

Our Anti Ligature Basins Nose are available in various formats. This basin is what we define as a 'Nose and Single Tap Outlet.' It can use either pneumatic push controls or infra-red touch-free sensor controls.

This basin is anti-ligature in design reducing the possibilities of self-harm, anti-vandal highly robust solid surface basin with UK Ministry of Justice Safer Cell Approval. Designed for use in high security and healthcare environments with concealed services and fixings.

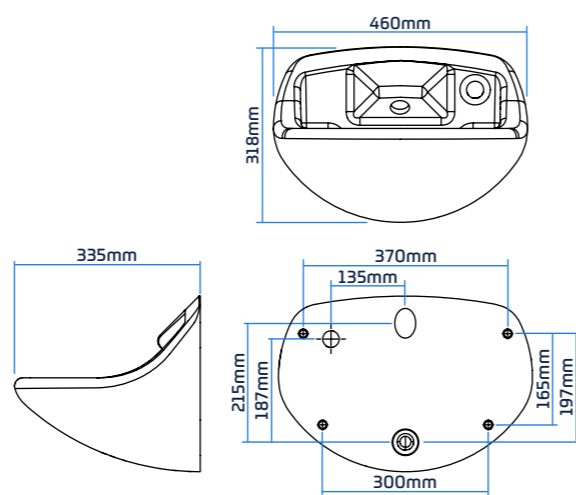
All our solid surface sanitaryware uses a unique blend of polyester resin and aluminium tri-hydrate

that creates an incredibly reliable anti-vandal solution while also enhancing a durable long-lasting finish that does not use a gel coat layer, so the surface can be easily renewed on-site, unlike fibreglass composite alternatives, stainless steel or vitreous china ceramic sanitary ware.

Features

- Damage resistant basins, ideal for use in all applications where there may be the potential for vandalism, heavy treatment or misuse
- Damage resistant and anti-ligature
- Back to wall design allows all pipework to be safely concealed
- Range of activation and control options available

Product	Code
Resan® Basin Single Tap Outlet - Right Hand Pneumatic Control	370950
Resan® Basin Single Tap Outlet - Right Hand Infra-Red Control	371151
Resan® Basin Single Tap Outlet - Left Hand Infra-Red Control	371152

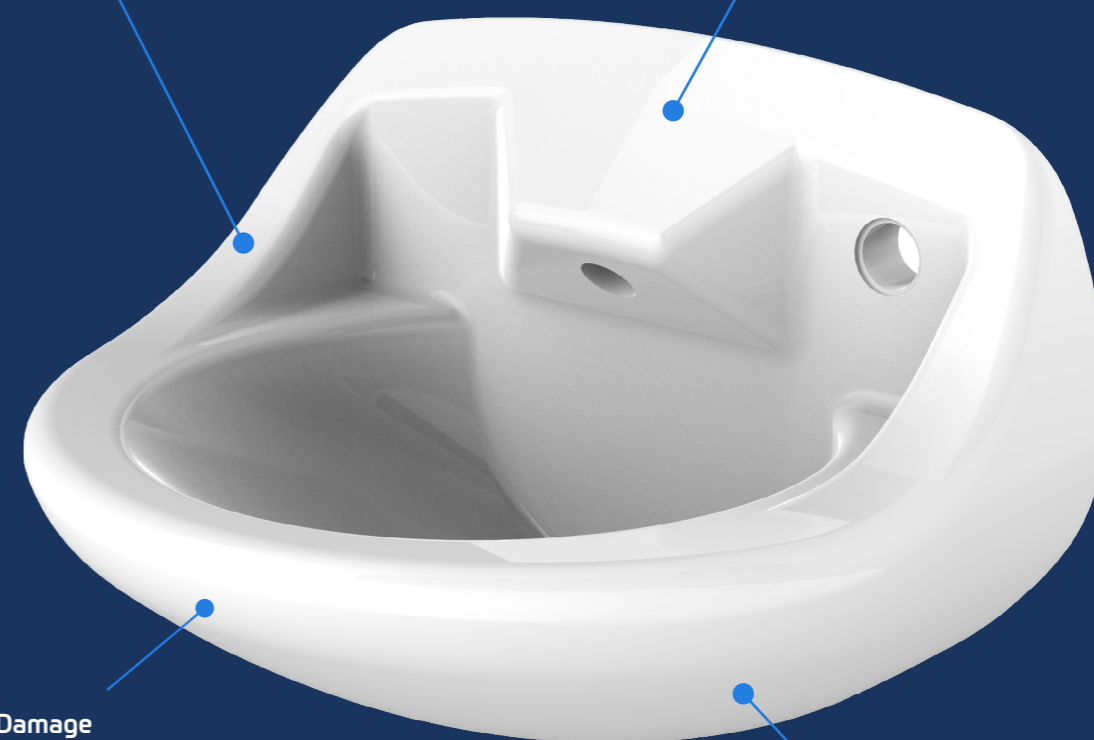


Technical Data	
Material	Polymer Resin
Available finishes	Matt, Gloss
Product Weight	22 kg
Fixing Orientation	Wall Fixed
Standard Conformity	BS 476 Pt.6 Fire propagation & surface spread of flame. ISO EN 19712-3-2007 Rated 5 for durability, stain resistance, cigarette burns etc.

Resan® Anti-Ligature Basin - Single Tap Outlet - Pneumatic / Infra-Red Controls

Highest level of anti-ligature design available; we most frequently deploy this version of the basin in **healthcare** and **mental health** environments.

Styled and finished to provide the most **normalised appearance** possible



Damage resistant & anti-ligature

Single tap outlet with **Pneumatic** push button control or **Infra-Red** touch-free control

Visit our website



07 Resan Sanitaryware Basins

Resan® Anti-Ligature Basin with Central Single Tap Hole

RESAN SANITARYWARE // WASHROOM FILL & FLUSH

Anti Ligature Basins with Central Single Tap Hole.

Our Anti Ligature Basins are available in various formats. This basin is what we define as a 'Central Single Tap Hole.' It has one central tap hole which can make use of an anti-ligature dome head tap or spout.

This basin is anti-ligature in design reducing the possibilities of self-harm, anti-vandal highly robust solid surface basin with UK Ministry of Justice Safer Cell Approval. Designed for use in highly secure environments with concealed services and fixings.

This basin is manufactured as a single piece casting meaning there are no joins making the product easy to clean and maintain.

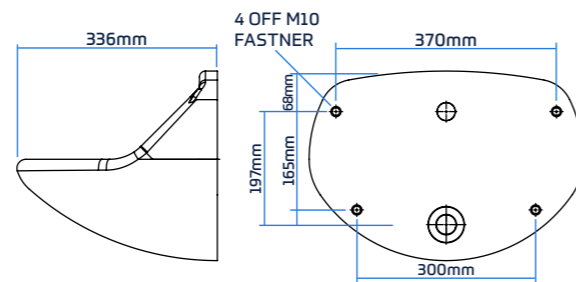
All our solid surface sanitaryware uses a unique blend of polyester resin and aluminium tri-hydrate that creates an incredibly reliable anti-vandal

solution while also enhancing a durable long-lasting finish that does not use a gel coat layer, so the surface can be easily renewed on site, unlike fibreglass composite alternatives, stainless steel or vitreous china ceramic sanitaryware..

Features

- Damage resistant basins, ideal for use in all applications where there may be the potential for vandalism, heavy treatment or misuse
- Damage resistant and anti-ligature
- Back to wall design allows all pipework to be safely concealed
- Can be installed in conjunction with anti-ligature, water-saving basin controls
- Water flow can be activated with pneumatic or electronic controls – please enquire
- Easy clean matt and gloss finishes
- Bespoke colours and designs can be supplied subject to sufficient demand

Product	Code
Resan® Basin with Central Single Tap Hole	333887



Technical Data	
Material	Polymer Resin
Available finishes	Matt, Gloss
Product Weight	21.5 kg
Fixing Orientation	Wall Fixed
Standard Conformity	BS 476 Pt.6 Fire propagation & surface spread of flame. ISO EN 19712-3-2007 Rated 5 for durability, stain resistance, cigarette burns etc.

Resan® Anti-Ligature Basin - Central Single Tap Hole

This basin is typically used where a specifier wishes to have a **mixed temperature** or single **cold water supply**

Styled and finished to provide the most **normalised appearance** possible



Damage resistant & anti-ligature

Water flow can be activated with **pneumatic** or **electronic** controls

Visit our website



07 Resan Sanitaryware Basins

Resan® Anti-Ligature Basin with Plain Back

RESAN SANITARYWARE // WASHROOM FILL & FLUSH

Anti Ligature Basins with Plain Back.

Our Anti Ligature Basins are available in various formats. This basin is what we define as a 'Plain Back.' It does not have tap holes or an anti-ligature concealed tap system. This basin is typically used where a specifier wishes to deploy an alternative tap of their own choosing. We have paid particular attention to the styling and finish of the basin, to provide the most normalised appearance possible

This basin is anti-ligature in design reducing the possibilities of self-harm, anti-vandal highly robust solid surface basin with UK Ministry of Justice Safer Cell Approval. Designed for use in highly secure environments with concealed services and fixings.

This basin is manufactured as a single piece casting meaning there are no joins making the product easy

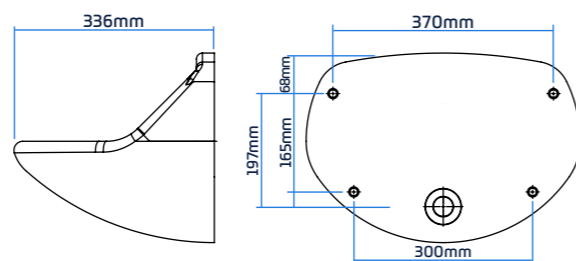
to clean and maintain.

All our solid surface sanitaryware uses a unique blend of polyester resin and aluminium tri-hydrate that creates an incredibly reliable anti-vandal solution while also enhancing a durable long-lasting finish that does not use a gel coat layer, so the surface can be easily renewed on site, unlike fibreglass composite alternatives, stainless steel or vitreous china ceramic sanitaryware..

Features

- Damage resistant basins, ideal for use in all applications where there may be the potential for vandalism, heavy treatment or misuse
- Damage resistant and anti-ligature
- Back to wall design allows all pipework to be safely concealed

Product	Code
Resan® Basin with Plain Back	333885

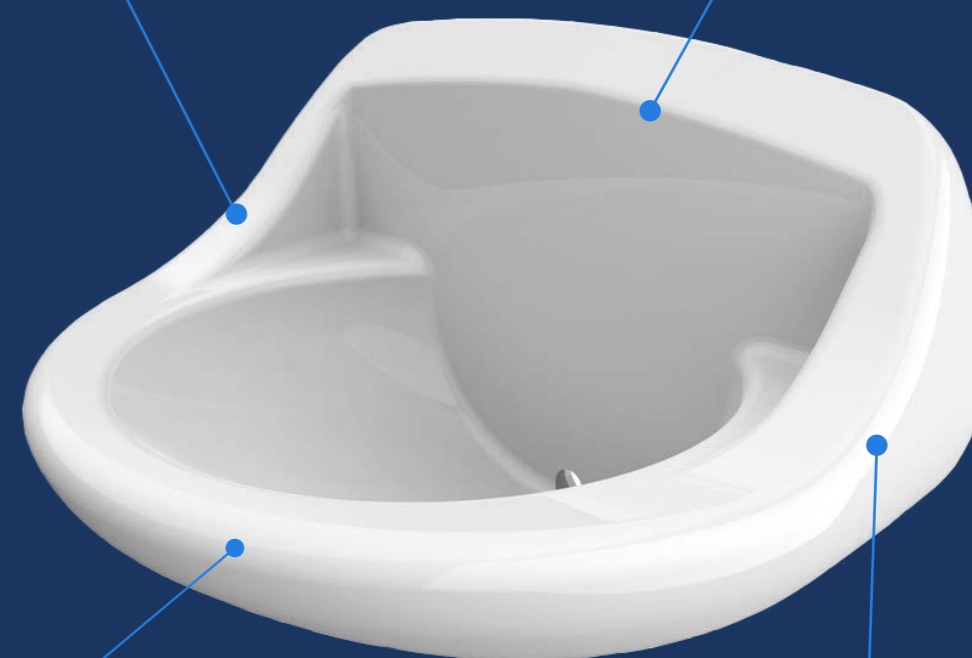


Technical Data	
Material	Polymer Resin
Available finishes	Matt, Gloss
Product Weight	21.5 kg
Fixing Orientation	Wall Fixed
Standard Conformity	BS 476 Pt.6 Fire propagation & surface spread of flame. ISO EN 19712-3-2007 Rated 5 for durability, stain resistance, cigarette burns etc.

Resan® Anti-Ligature Basin - Central Single Tap Hole

Styled and finished to provide the most normalised appearance possible

This basin is typically used where a specifier wishes to deploy an alternative tap of their own choosing



Damage resistant & anti-ligature

Back to wall design allows all pipework to be safely concealed

Visit our website



07 Resan Sanitaryware

Urinals

Resan® Damage Resistant Urinal

RESAN SANITARYWARE // WASHROOM FILL & FLUSH

Damage Resistant Urinal.

Urinals are perfect for use in high traffic washrooms as they reduce waiting times for WCs and take up less space than a standard cubicle. Combined with the benefits of Resan solid surface sanitaryware, they are a perfect solution for environments that will see challenging use and potential vandal and damage situations.

Resan Urinals are suitable for use with direct flush controls from Resan or automatic urinal flushing with Kinetic® IRC flush controls for managed water supply use [see page 86]. Both flushing systems can be used with concealed pipework and the waste trap is shrouded to further reduce the potential for damage and expensive flood repairs.

It is important when using a direct flush system that a DC Pipe Interrupter [see page 93] is fitted to comply with Water Regulations. Resan manufactures and supplies these as part of all specifications.

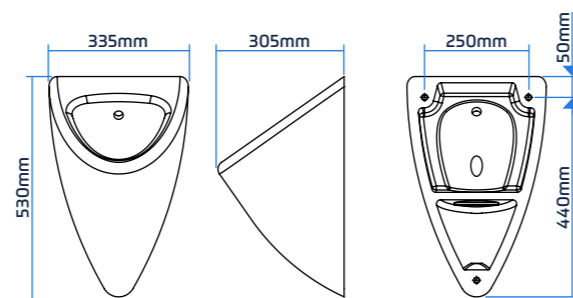
Resan Urinals are installed in back to wall applications so are for use where access to services is behind the wall. This is typically in IPS panelling situations or where service risers are available.

Cast as a single piece, the urinal is an extremely robust alternative and thanks to our unique mix of polyester resin and aluminium tri-hydrate, we achieve a long last finish which is easily refinished on site, unlike other alternatives such as fibreglass composites which have a gel coat layer.

Features

- Damage resistant sanitaryware which is ideal for use in all applications where there may be the potential for vandalism, heavy treatment or misuse
- Damage-resistant and anti-ligature
- Back to wall design allows all pipework to be safely concealed
- Can be teamed with water-saving electronic urinal controls that support BREEAM and other initiatives
- Easy clean matt and gloss finishes
- Bespoke colours and designs can be supplied subject to sufficient demand
- Non-Flammable – BS476 Pt 6 & 7 Class '0' and Class '1'
- ISO EN 19712-3-2007 Rated 5 for durability, stain resistance and cigarette burns
- BREEAM rated
- CE Marked

Product	Code
Resan® Urinal	325601
Accessories (Waste/Spreader & Trap Kit)	327395



Technical Data	
Material	Polymer Resin
Available finishes	Matt, Gloss
Product Weight	17 kg
Fixing Orientation	Through Wall
Standard Conformity	BS 476 Pt.6 Fire propagation & surface spread of flame. ISO EN 19712-3-2007 Rated 5 for durability, stain resistance, cigarette burns etc.

Resan® Damage - Resistant Urinal

Suitable for use with **direct flush controls** or **automatic urinal flushing with Kinetic®** [see page 86]

It is important when using a **direct flush system** that a **DC Pipe Interrupter** [see page 93] is fitted to comply with **Water Regulations**.



Damage resistant & anti-ligature

Can be teamed with **water-saving electronic urinal controls** that support **BREEAM** and other initiatives

Visit our website



07 Resan Sanitaryware

Mirror / Shelf

Resan® Mirror Frame

RESAN SANITARYWARE // WASHROOM FILL & FLUSH

Resan Mirror Frame System

Our mirror frame systems make use of a 3mm thick tough polycarbonate that is vandal and scratch resistant while also not flexing easily. This is particularly important for dementia sufferers as well as custodial applications where weaponising of a broken product must be avoided.

It also offers a great solution for vandal proof rest room mirror, industrial and other high footfall requirements where the unit is subject to damage and vandalism.

We offer two frame sizes manufactured as a single piece as standard but are able to manufacture bespoke sizes subject to request and consultation with our Specification Team.

Features

- Ideal for use alongside Resan sanitaryware where there may be the potential for vandalism, heavy treatment or misuse
- Damage resistant and anti-ligature
- Bespoke colours and designs can be supplied subject to sufficient demand
- 350mm x 250mm
- 600mm x 500mm
- UK Ministry Of Justice Safe Cell Approved
- Non-Flammable – BS476 Pt 6 & 7 Class '0' and Class '1'
- ISO EN 19712-3-2007 Rated 5 for durability, stain resistance and cigarette burns

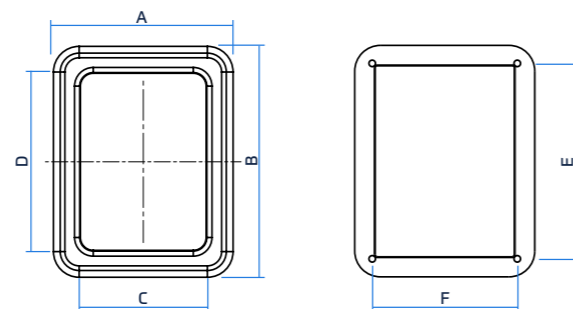
Options

- Stone Cast

Product	Code
Standard Resan Mirror 350 x 250mm [rear fixed]	326147
Large Resan Mirror 600 x 500mm [rear fixed]	334297
Standard Resan Mirror 350 x 250mm [front fixed]	371636
Large Resan Mirror 600 x 500mm [front fixed]	334887



Mirror	A	B	C	D	E	F
Standard	350mm	450mm	245mm	345mm	380mm	282mm
Large	500mm	600mm	395mm	495mm	531mm	431mm



Technical Data	
Material	Polymer Resin
Available finishes	Stone Cast, Gloss
Fixing Orientation	M10
Standard Conformity	BS 476 Pt.6 Fire propagation & surface spread of flame. ISO EN 19712-3-2007 Rated 5 for durability, stain resistance, cigarette burns etc.

Resan® Mirror Frame

3mm thick tough polycarbonate that is **vandal** and **scratch resistant** while also not flexing easily. Important for **dementia sufferers** as well as **custodial applications** where **weaponising** of a broken product must be avoided

Solution for **vandal proof** restroom mirror, industrial and other **high footfall** requirements where the unit is subject to damage and vandalism



Damage resistant & anti-ligature

Available in 2 sizes
[350 x 250mm] and
[600 x 500mm]

Visit our website



07 Resan Sanitaryware

Mirror / Shelf

Resan® Anti-Ligature Shelf

RESAN SANITARYWARE // WASHROOM FILL & FLUSH

Anti Ligature Shelf.

We offer a range anti-ligature, durable and tough solid surface shelves are available in a range of sizes and can be both in rear or front fixed.

Our Resan shelves do not have a gel coat layer, so the surface can be refreshed on-site through simple on-site refinishing of the product, which is particularly advantageous when compared to fibreglass composite alternatives.

Resan shelves are anti-ligature in design and cast as a single piece, avoiding unnecessary joints lines which are difficult to clean and potential weak spots.

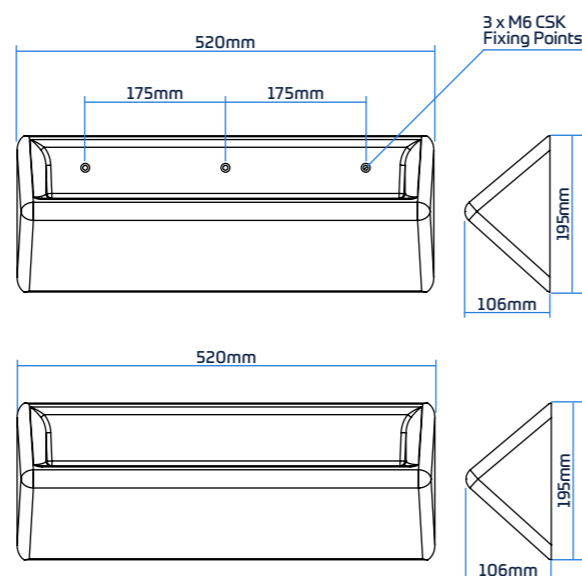
We offer a highly polished finish which helps ease cleaning and all Resan product has an easily renewable surface.

We can manufacture alternative sizes upon project consultation and would typically recommend bolt to wall fixing when used in healthcare and mental health applications.

Features

- Ideal for use in conjunction with Resan sanitaryware to create damage resistant installations in all commercial applications
- Damage resistant and anti-ligature
- Bespoke colours and designs can be supplied subject to sufficient demand

Product	Code
Resan® Shelf - Rear Fixed	326144
Resan® Shelf - Front Fixed	331493



Technical Data	
Material	Polymer Resin
Available finishes	Matt, Gloss
Product Weight	7.5 kg
Fixing Orientation	Front Fixed
Fixing Size	M10 Fixing Points
Standard Conformity	BS 476 Pt.6 Fire propagation & surface spread of flame. ISO EN 19712-3-2007 Rated 5 for durability, stain resistance, cigarette burns etc.

Resan® Anti-Ligature Basin - Central Single Tap Hole

Alternative sizes can be manufactured upon project consultation

This basin is typically used where a specifier wishes to deploy an alternative tap of their own choosing

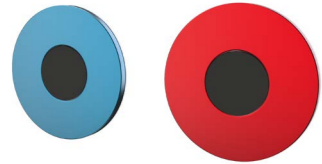
Damage resistant & anti-ligature

Can be both rear and front fixed

Visit our website



07 Resan Sanitaryware Controls



Resan Infra-Red Control Kit (2 sensors)

TOUCH-FREE INFRARED CONTROLS DESIGNED FOR USE WITH RESAN WASH BASINS

- Anti-ligature design
- Anodised aluminium bezel for hot & cold colour coding
- Hygienic touch-free operation
- Short sensor detection range for voluntary activation
- Programmable flow, sensor range and lock-out function available
- Solenoid valves included
- 9v power transformer included
- Fail safe feature automatically closes the solenoid when power is cut or power is very low
- Standard sensor suitable for IPS panels up to 25mm thick, use extension kit for greater wall thicknesses [see page 125]
- 5 year warranty

Item	Code
Resan Infra-Red Control	335797



Resan Infra-Red Control Kit (1 sensor)

TOUCH-FREE INFRARED CONTROLS DESIGNED FOR USE WITH RESAN WASH BASIN/SHOWER

- Anti-ligature design
- Anodised aluminium bezel
- Hygienic touch-free operation
- Short sensor detection range for voluntary activation
- Programmable flow, sensor range and lock-out function available
- Solenoid valves included
- 9v power transformer included
- Fail safe feature automatically closes the solenoid when power is cut or power is very low
- Standard sensor suitable for IPS panels up to 25mm thick, use extension kit for greater wall thicknesses [see page 125]
- 5 year warranty

Item	Code
Resan Infra-Red Control	377214



Resan Wash Basin Control Set

PNEUMATIC ANTI-VANDAL BASIN CONTROLS

- Through-the-wall control set for vandal resistant wash basins. For use in healthcare and secure sectors
- 3 sizes available to suit a range of wall thickness's
- Vandal-resistant robust construction
- Anti-ligature design
- Stainless steel surround
- Anodised colour coded push buttons
- Supplied with pneumatic solenoid valve (½" BSP)
- Adjustable automatic shut-off

Item	Code
Resan Pneumatic Control for walls <25mm	332825
Resan Pneumatic Control for walls <120mm	326185
Resan Pneumatic Control for walls <245mm	327822



Resan Shower Control

VANDAL RESISTANT PNEUMATIC THROUGH THE WALL CONTROL

- Through-wall control set for vandal resistant shower systems. For use in healthcare & secure sectors
- Vandal resistant robust construction
- Anti-ligature design
- Stainless steel surround
- Supplied with solenoid valve (½" BSP)

Item	Code
Resan Shower Control	326186



Resan WC Flush Control Set

PNEUMATIC ANTI-VANDAL THROUGH THE WALL FLUSH CONTROL

- Through-the-wall control set for vandal resistant toilets. For use in areas susceptible to vandalism
- Vandal proof through-the-wall mounting
- Dualflush control
- Can be located 3m from cistern
- For use with Dudley Miniflo cistern
- Anti-ligature fittings with stainless steel laser etched finish

Item	Code
Resan WC Flush Control	326187



Thermostatic Mixing Valve

DUDLEY THERMOSTATIC MIXING VALVE

- Perfect for use with Dudley Electroflo Taps and other pre-mixed taps
- Can be used with pressures of 0.2 – 10 bar
- Delivers water between 30° and 50°
- Integral check valves and filters
- Buildcert TMV 2 & TMV 3 approved
- Available in 15mm and 22mm

Size	Code
15mm	324551
22mm	324552



Tap Remote Control

REMOTE CONTROL FOR ELECTROFLO TAP RANGE

- Allows same settings to be quickly applied to multiple individual taps/sensors

Item	Code
Tap Remote Control	323690



Soap Dispenser Remote Control

REMOTE CONTROL FOR ELECTROFLO SOAP DISPENSER RANGE

- Allows same settings to be quickly applied to multiple individual soap dispensers/sensors

Item	Code
Soap Dispenser Remote Control	327987



Lock Out Remote Control

REMOTE CONTROL FOR RESAN BASIN SENSOR LOCK OUT

- Allows same settings to be quickly applied to multiple individual taps/sensors

Item	Code
Resan Basin Sensor Lock Out Remote Control	370996



07 Resan Sanitaryware Options

Resan® Anti-Vandal Taps

RESAN SANITARYWARE // WASHROOM FILL & FLUSH

Designed for use with Resan Oval Basin, the single non-concussive anti-vandal tap

Water Saving

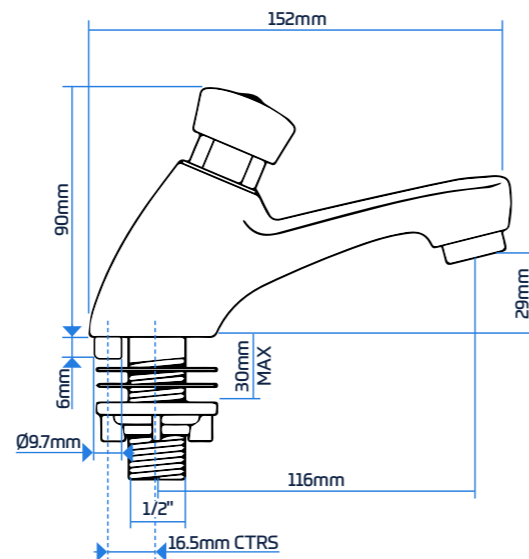
- Automatic shut off

Features

- For prison and custodial applications
- Single non-concussive self-closing basin push button tap
- Deck mounted
- For use with Resan Oval basin
- Automatic shut off
- Supplied with hot and cold indices with water flow aerator
- Cartridge PRO-167/C+H/VALVE-C/P
- ½" x 50mm threaded tail connections
- Deck mount drill hole diameter 22mm
- Anti-vandal anti-swivel lug feature
- Minimum operating pressure 0.2 bar LP



Product	Code
Resan® Anti-Vandal Taps	332920



Technical Data	
Finish	Chrome
Flow Regulator	FR-100/5-PLA
Minimum Operating Pressure	0.2 bar LP
Flow Rate at 3.0 Bar Flow Pressure	15 l/min

Visit our website



Resan Wall Shower

VANDAL RESISTANT ANTI-LIGATURE WALL MOUNTED SHOWER HEAD

- Fixed wall mounted shower head for use with walls up to 230mm thick
- Automatic flow rate regulation
- Anti-ligature design
- Scale-resistant
- Automatic flow regulation
- Adjustable spray nozzle with locking feature
- Concealed fixings
- Systematically drains after use (no water retention or impurity deposits)
- WRAS approved product
- 10 year warranty
- Anti swivel lug

Item	Code
Resan Wall Shower	326183



Resan Ceiling Shower

VANDAL RESISTANT ANTI-LIGATURE CEILING MOUNTED SHOWER HEAD

- Vandal proof, anti-ligature shower for use in the healthcare & secure sector
- Vandal resistant robust construction
- Anti-ligature design
- Stainless steel finish
- Chrome plated brass body
- Other sized tails are available, please enquire

Item	Code
Resan Ceiling Shower	326184



Resan Oval Basin Waste

1 ¼" BSP WASTE FOR RESAN OVAL BASIN

- For use with the Resan® Oval Basin
- Chrome plated
- 2 x plugs included
- 2 x back nuts included; chrome plated brass and nylon
- Sealing washer included

Item	Code
Resan 1 ¼" BSP Waste	368161
Resan 1 ¼" Basin Waste Extended Tail (for use with Oval Basin)	332344



Resan Oval Basin Bracket

HEAVY-DUTY CAST IRON BASIN BRACKET

- Heavy-duty mounting bracket for use with the Resan Oval Basin
- Highly robust ductile cast iron construction
- Damage resistant
- Suitable for use with Resan Oval Basin for direct retrofit purposes
- Supplied with through wall fixing kit (Max. Wall Thickness 155mm)
- Galvanised finish
- Height adjustable waste support

Item	Code
Resan Oval Basin Bracket	333413



Resan Basin Sensor Sleeve Extension

SUITABLE FOR WALLS UP TO 140MM THICK

- To suit walls up to 140mm thick
- For walls greater than 140mm thick please use ½" Socket 369159

Item	Code
Resan Basin Sensor Sleeve Extension	370997
½" Socket	369159



Waste / Spreader & Trap Kit for Resan Urinal

COMPREHENSIVE RANGE OF ACCESSORIES

- Urinal waste 1½" brass body and stainless steel removable dome cover
- Urinal spreader back inlet tail is made from solid brass and head has a smooth chrome finish
- L10 1½" x 75mm seal trap
- Items available to purchase separately please enquire

Item	Code
Waste/Spreader & Trap Kit for Resan Urinal	327395

Index

A

Arc Infra-Red Tap 59
 Avanti Infra-Red Tap 61
 Auto Cisterns 90-91
 Auto Syphons 92
 Acclaim Urinal Flushing Cistern 91

B

Basin Support 22
 Basin/Urinal Bracket 93
 Bidet Frame 21
 Bidet Support 21
 Buttons & Plates 24-53

C

Compact Universal Frame 18
 CP Round Dualflush Button 30
 CP Round Single Flush Button 35
 Coral Dualflush Push Plate 42
 Contemporary Infra-Red Tap 56
 Contemporary Infra-Red Soap Dispenser 62
 Concealed Cisterns 67-81
 Compatibility Table 82-83

D

Dualflush Buttons 26-33
 Dualflush Push Plates 39-45
 Dio Dualflush Button 28
 Drift Dualflush Push Plate 40
 DC Pipe Interrupter 93

E

Electroflo WC Flush Sensor 64
 D Auto Urinal Flushing Cistern 90

F

Frames 12
 Freestanda Frame 20
 Flat Metal Vandal-Resistant Push Button 51

G

Geo Dualflush Button 26

H

Horizon Infra-Red Tap 58
 Horizon Infra-Red Soap Dispenser 63

I

Illusion A Frame 14

Illusion V Frame 16
 Illusion Universal Frame 18
 Illusion Compact Universal Frame 18
 Illusion Freestanda Frame 20
 Illusion Bidet Frame 21
 Illusion Basin Frame 22
 Illusion Sentinel 23
 Infra-Red Plates 46-49
 Intelligent Urinal Flush Control 86

K

Kinetic 86

L

Linear Infra-Red Tap 60
 Lock Out Controls 123

M

Miniflo Dualflush Button 29
 Metal Royal Vandal-Resistant Push Button 50
 Metal Pearl Vandal-Resistant Push Button 52
 Miniflo Concealed Cistern 76
 Mirage Urinal Flushing Cistern 91

O

Oyster Dualflush Push Plate 43
 OSMO F1 Concealed Cistern 68
 OSMO T1 Concealed Cistern 70

P

Piazza Dualflush Button 31
 Piazza Single Flush Button 34
 Palm Push Royal Single Flush Button 37
 Pebble Dualflush Push Plate 42
 Pearl Dualflush Push Plate 44
 Pearl Palm Dualflush Push Plate 45
 Prestige Concealed Cistern 74
 Phantom Concealed Cistern 78
 Pushflo Concealed Cistern 80
 Petcock 92

R

Remora Twin Dualflush Buttons 32
 Remora Single Flush Button 38
 Royal Twin Palm Push Dualflush Buttons 26
 Royal Single Flush Button 36
 Reef Dualflush Push Plate 39
 Remora Vandal-Resistant Push Button 53
 Resan Sanitaryware 94-125
 Resan Pans 96-101

Resan Basins 102-115
 Resan Urinal 116
 Resan Mirror 118
 Resan Shelf 120
 Resan Controls 122-123
 Resan Options 124-125
 Resan Tap 124
 Resan Basin Sensor Sleeve Extension 125
 Resan Waste/Spreader & Trap Kit for Resan Urinals 125
 Resan Wall Shower 125
 Resan Ceiling Shower 125
 Resan Basin Waste 125
 Resan Oval Basin Bracket 125

S

Sanitaryware Frames 12-23
 Support Brackets 23
 Single Flush Buttons 34-38
 Soap Dispensers 62-63
 Soap Dispenser Controls 123

T

Touch-Free 54-65
 Touch-Free Urinal Sensor 88
 Taps 56-61
 Tap Controls 123
 Tri-Shell Urinal Flushing Cistern 90
 Thermostatic Mixing Valve 122

U

Universal Bracket 93
 Universal Frame 18
 Urinal Flushing 84-93
 Urinal Flush Controls 86-89
 Urinal Flushing Accessories 92-93
 Urinal Sensor 88
 Urinal Spreader 92
 Urinal Flushing Cisterns 90-91
 Urinal Waste 93

V

Vandal-Resistant Buttons & Plates 50-53
 Vantage Concealed Cistern 72

W

Wall-Hung Sanitaryware Frames 12-23
 WC Pan Support 14-20
 Wave S1 Infra-Red Plate 46
 Wave S2 Infra-Red Plate 47
 Wave S3 Infra-Red Plate 48
 WC Controls 64-65
 WC Flush Sensor 64

Terms & Conditions of Sale

For full terms and conditions of sale please visit our website



Warranty Registration

Dudley products are engineered to deliver quality, durability and reliability as standard.



WRAS Standards

TYDE tests its products in our own testing laboratory that meets the strict standards of WRAS



TYDE is proud to support Made in Britain

For more information please visit the Made in Britain Website



Committed to the Environment

TYDE has a commitment to comply with all relevant Environmental Policies, associated statutory legislation and approved codes of practice. For more information please visit our website



When Quality & Commitment Counts

TYDE is committed to manufacturing high quality products that are both innovative and extremely reliable. We hold a number of accreditations including ISO 9001, ISO14001 and OHSAS18001





The source of **clever plumbing, people and products**



SPECIFICATION & CONTRACT SUPPORT

e specification@tyde.co.uk **p** +44 (0) 121 530 7000

NATIONAL SPECIFICATION & OEM MANAGER

p +44(0) 7712 842 787

RESAN & SPECIALIST PROJECTS MANAGER

p +44(0) 07747 446 146

SPECIFICATION MANAGER NORTH

p +44(0) 07867 170 142

SPECIFICATION MANAGER SOUTH

p +44(0) 07717 200 699

CUSTOMER SERVICE

e sales@tyde.co.uk **p** +44(0) 121 557 5411

CREDIT CONTROL

e accounts@thomasdudley.co.uk

MARKETING

e info@tyde.co.uk

UK ENQUIRIES

t +44 (0)121 530 7000

or e sales@tyde.co.uk



PSPSPL373751