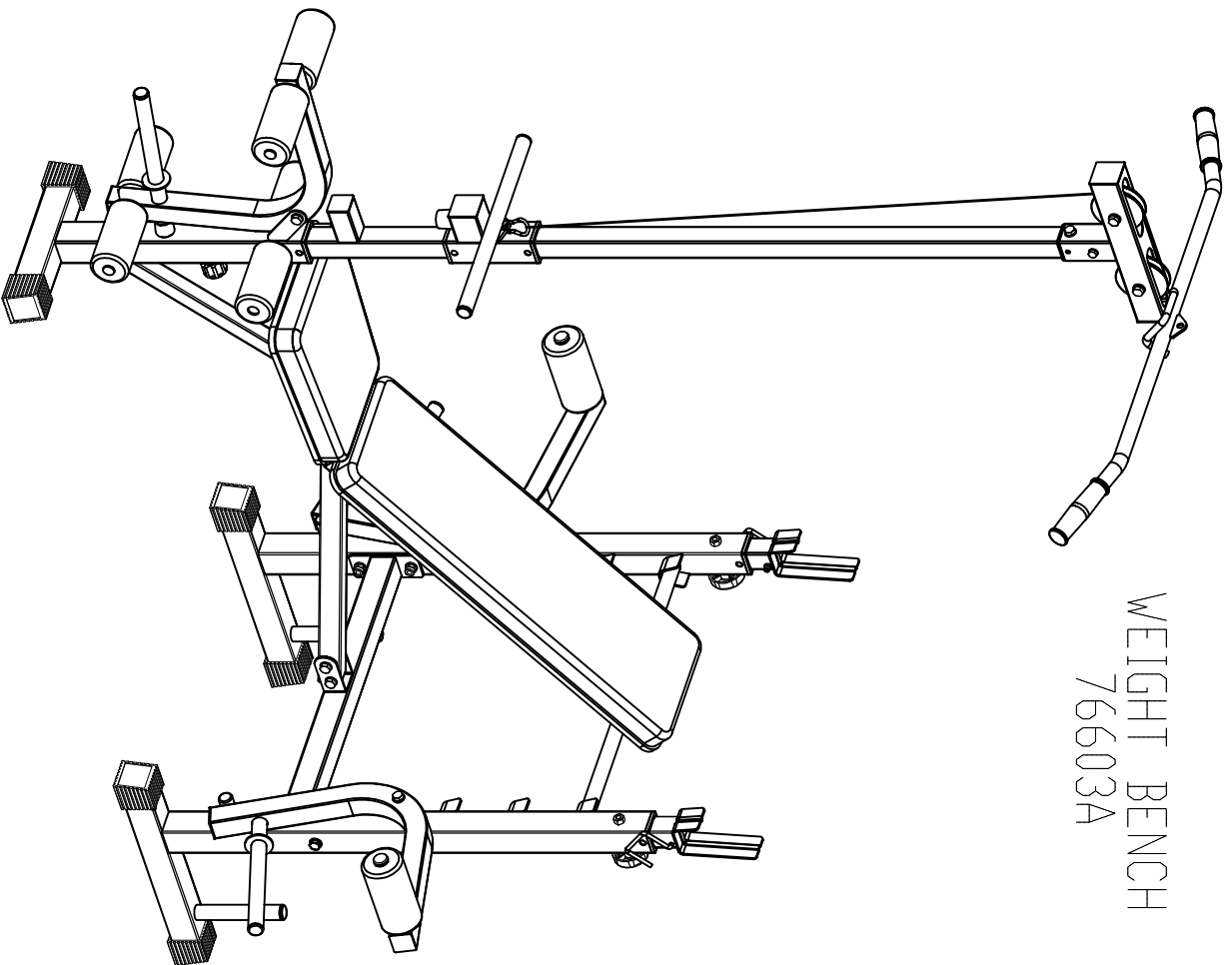
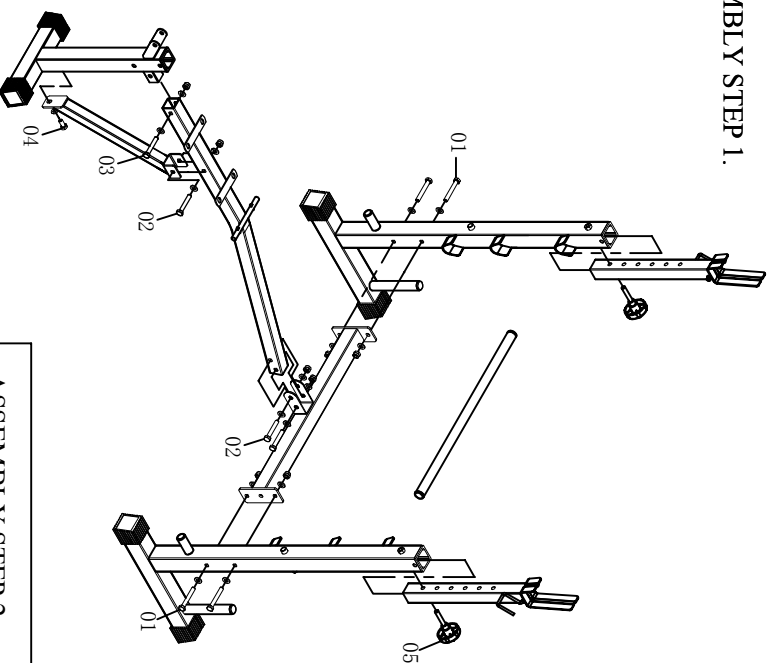


WEIGHT BENCH 76603A



ASSEMBLY INSTRUCTION

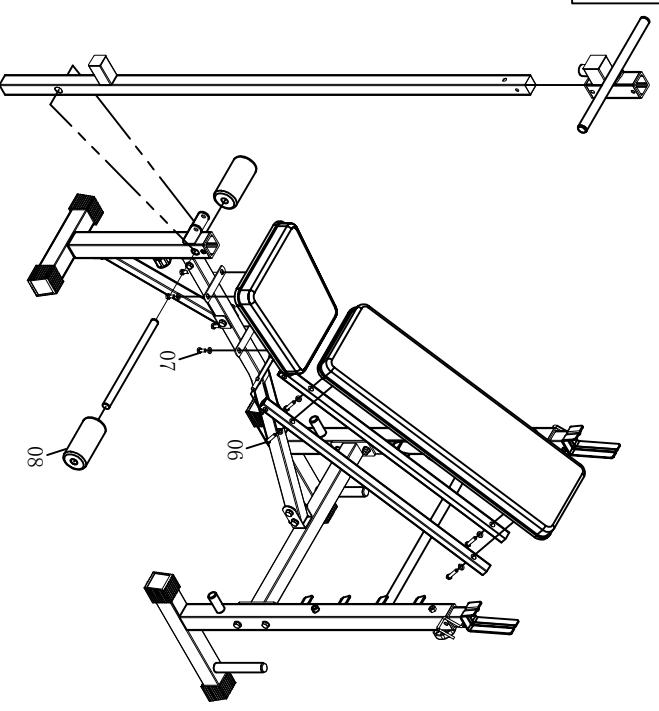
ASSEMBLY STEP 1.



PART LIST

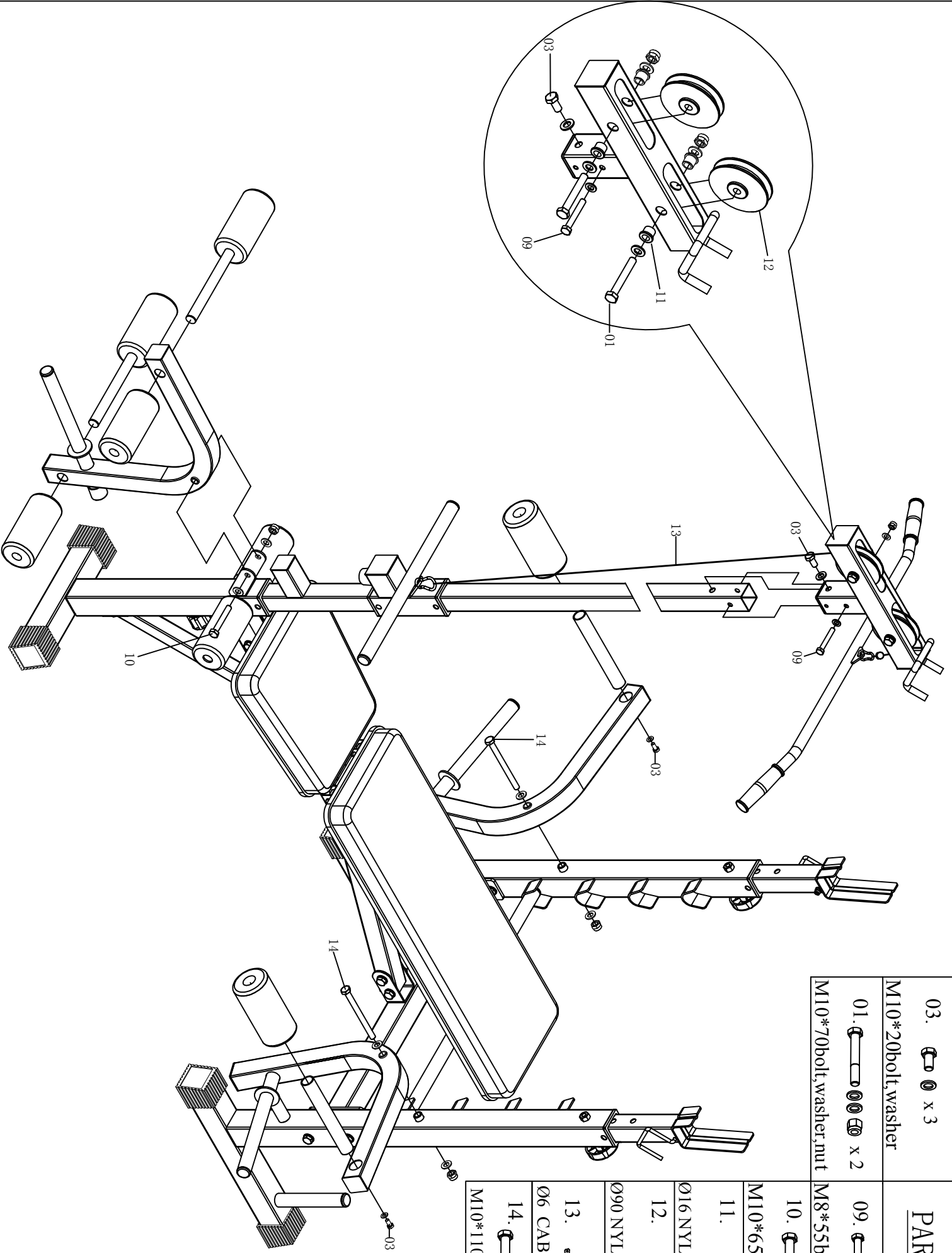
01.		x 4
02.		x 3
03.		x 1
04.		x 1
05.		x 2


ASSEMBLY STEP 2.

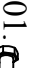


PART LIST


06.		x 4
07.		x 4
08.		x 6



03.  x 3
 M10*20bolt, washer

01.  x 2
 M10*70bolt, washer, nut

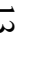
PART LIST

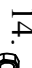
09.  x 1
 M8*55bolt, washer, nut

10.  x
 M10*65bolt, washer, nut

11.  x 4
 Ø16 NYLON SPACER

12.  x 2
 Ø90 NYLON WHEEL

13.  x 1
 Ø6 CABLE

14.  x
 M10*110 bolt, washer, nut