

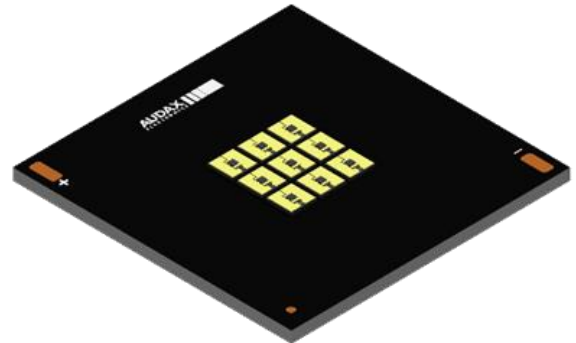
## LIGHT ENGINE COB UVC 38mm x 38mm 630mW

### Applications

- Medical sterilization
- Drinking water disinfection
- Infectious disease control
- Food processing sterilization
- Air sterilization

### Characteristics

- UV Type - UVC
- Wavelength – 260-270nm
- 05 years warranty against factor defects



### DRIVING CURRENTS

Parameter	Nominal	Max
LIGHT ENGINE COB UVC 38mm x 38mm 630mW	1,500 mA	1,800 mA

### MODULE TEMPERATURES

Parameter	Nominal	Max
Ts (temperature at Ts point)	40 °C	60 °C

### PRODUCT PART NUMBER

**AUD001-09**

UVC – 260-270 nm

### TECHNICAL INFORMATION

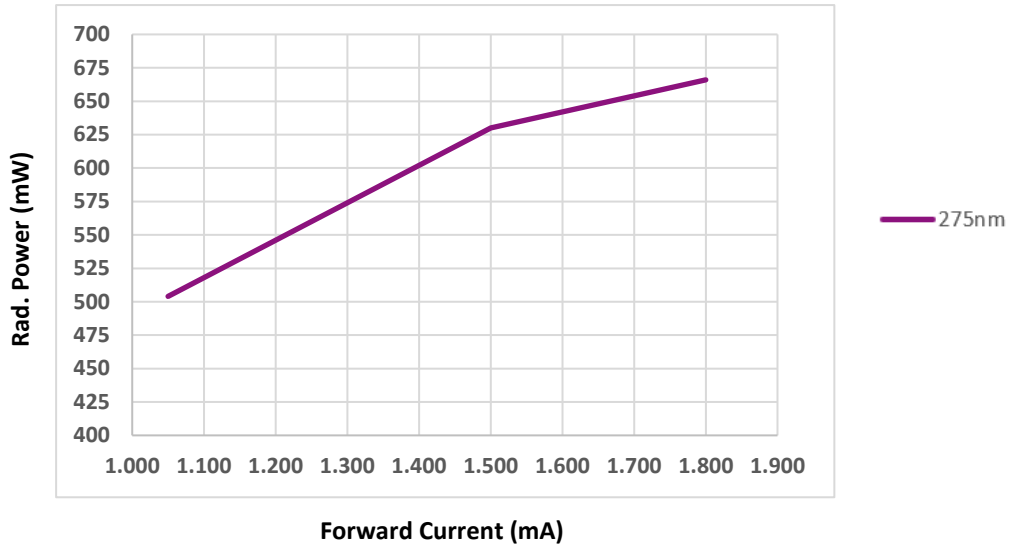
UV Type	Wavelength (nm)	#LEDs	Forward Current (mA)	Rad. Power (mW)	Forward Voltage (V)	Power (W)	Ts (°C)	EFF (%)
UVC	260-270	9	1,050	504.0	22.5	23.4	40	2.0
			1,500	630.0	24.0	36.0	40	1.8
			1,800	666.0	27.0	48.6	40	1.4

### LED TYPE

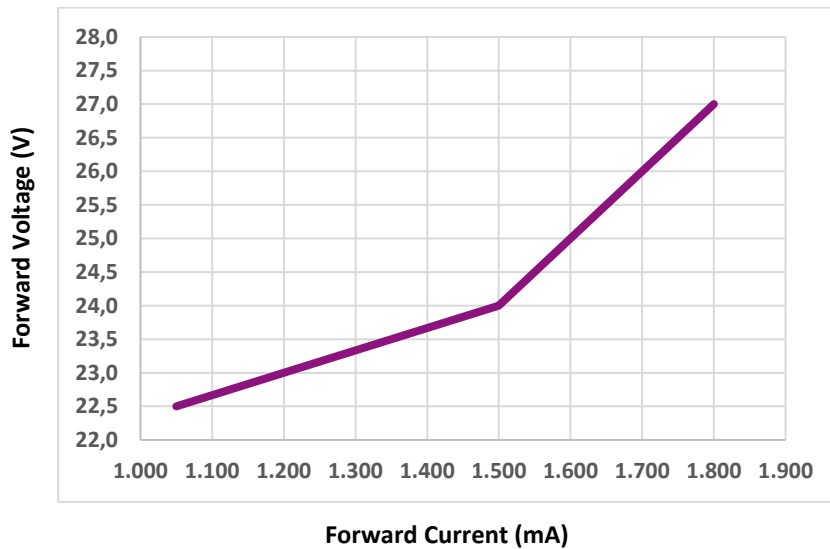
Manufacturer: Klaran

LED Series: KL265

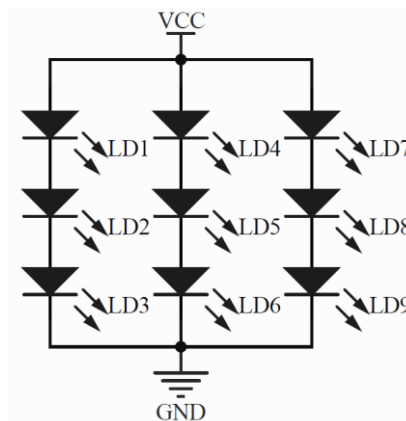
Rad. Power (mW) x Forward Current (mA) (Ts 40°C)



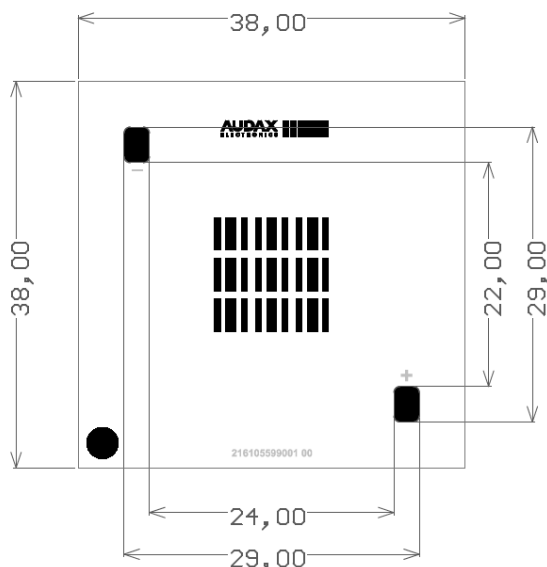
Forward Voltage (V) x Forward Current (mA) (Ts 40°C)



SCHEMATICS



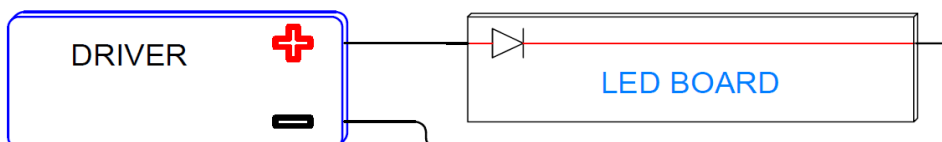
**MECHANICAL DRAWING**



Unit: mm

**WIRING**

Specification item	Value	Unit	Condition
Input wire cross- section	0.25...0.75 18...24	mm <sup>2</sup> AWG	Solid wire
Input wire strip length	7.5...8.5	mm	Solid wire
Input wire cross-section	0.33...0.5 20...22	mm <sup>2</sup> AWG	Stranded wire
Input wire strip length	7.5...8.5	mm	Stranded wire



**WARNING**

