

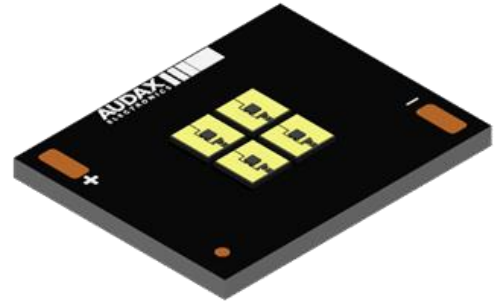
LIGHT ENGINE COB UVC 24mm x 19mm 280mW

Applications

- Medical sterilization
- Drinking water disinfection
- Infectious disease control
- Food processing sterilization
- Air sterilization

Characteristics

- UV Type - UVC
- Wavelength – 260-270nm
- 05 years warranty against factor defects



DRIVING CURRENTS

Parameter	Nominal	Max
LIGHT ENGINE COB UVC 24mm x 19mm 280mW	1,000 mA	1,200 mA

MODULE TEMPERATURES

Parameter	Nominal	Max
Ts (temperature at Ts point)	40 °C	60 °C

PRODUCT PART NUMBER

AUD001-04

UVC – 260-270 nm

TECHNICAL INFORMATION

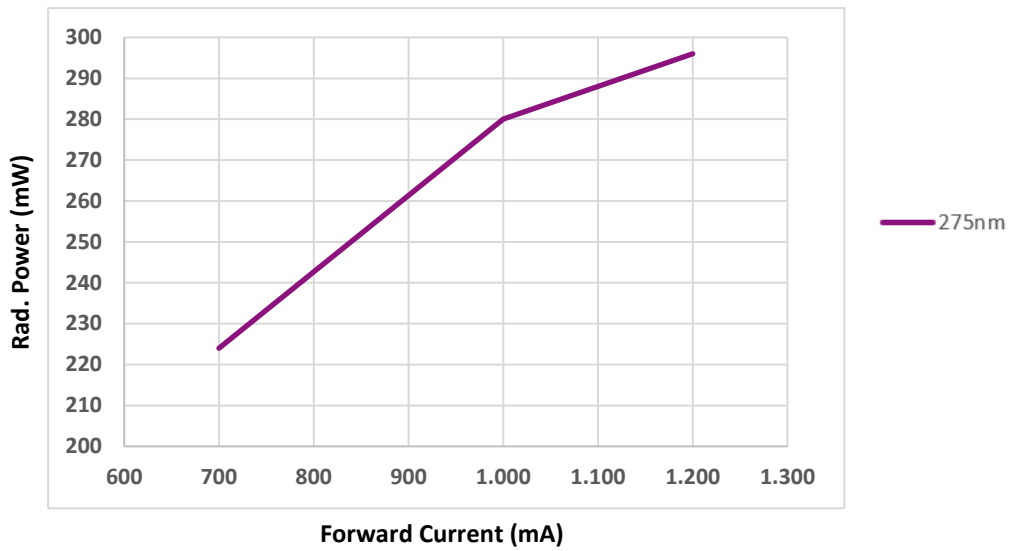
UV Type	Wavelength (nm)	#LEDs	Forward Current (mA)	Rad. Power (mW)	Forward Voltage (V)	Power (W)	Ts (°C)	EFF (%)
UVC	260 - 270	4	700	224.0	15.0	10.4	40	2.0
			1,000	280.0	16.0	16.0	40	1.8
			1,200	296.0	18.0	21.6	40	1.4

LED TYPE

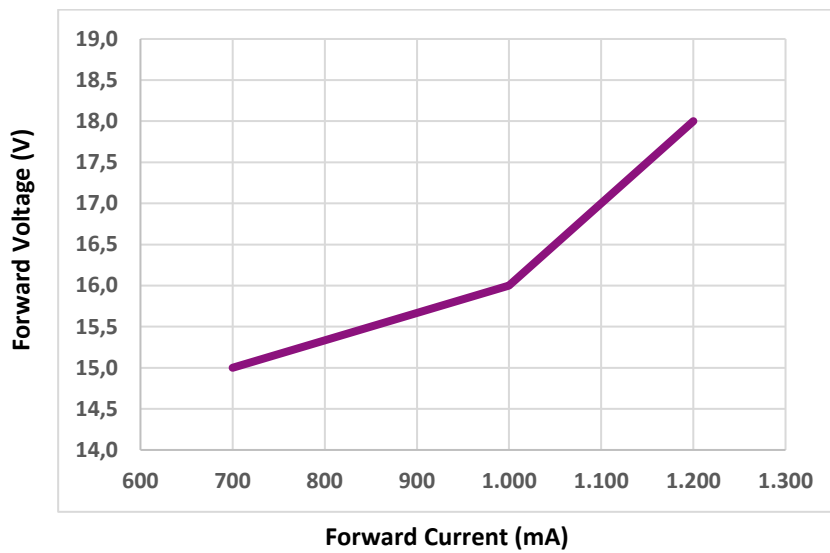
Manufacturer: Klaran

LED Series: KL265

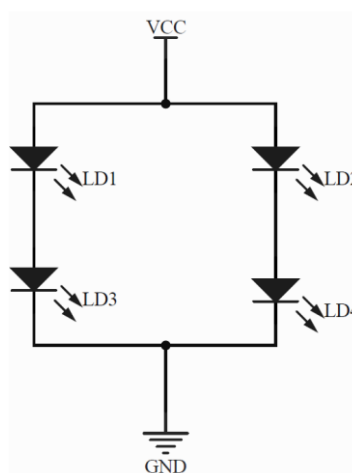
Rad. Power (mW) x Forward Current (mA) (Ts 40°C)

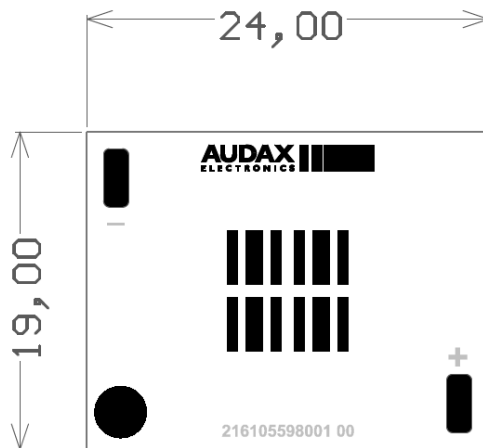


Forward Voltage (V) x Forward Current (mA) (Ts 40°C)



SCHEMATICS

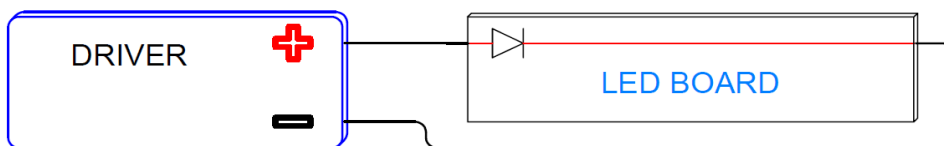




Unit: mm

WIRING

Specification item	Value	Unit	Condition
Input wire cross- section	0.25...0.75 18...24	mm ² AWG	Solid wire
Input wire strip length	7.5...8.5	mm	Solid wire
Input wire cross-section	0.33...0.5 20...22	mm ² AWG	Stranded wire
Input wire strip length	7.5...8.5	mm	Stranded wire



WARNING

