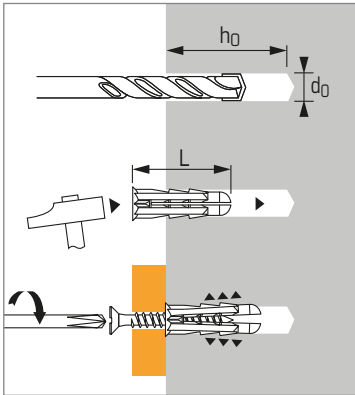




## Universal polyethylene lightweight anchor



### Technical data

Anchor size	Screw threaded diameter (mm) <b>d</b>	Drilling depth (mm) <b>h<sub>0</sub></b>	Drilling diameter (mm) <b>d<sub>0</sub></b>	Total anchor length (mm) <b>L</b>	Code
6X25	3 - 5	30	6	25	198160
8X30	4 - 7	40	8	30	198180
8X30 PAV*	-	40	8	30	198190

\*PAV : version with threaded head M7x150

### APPLICATION

- Lightweight fixing in all base material
- Small electrical accessories, small light fittings, fuse boxes, etc...

### MATERIAL

- **Body:** Polyethylene

### Recommended loads ( $N_{rec}$ ) and ultimate loads ( $N_{Ru,m}$ ) in kN

#### TENSILE

Anchor size Base material	6X25	8X30
Concrete ( $\geq C20/25$ )	5	6
$N_{rec}^*$	0,25	0,25
$N_{Ru,m}^*$	1,5	1,5
Hollow concrete blocks B 40		
$N_{rec}^*$	0,20	0,22
$N_{Ru,m}^*$	1,2	1,3
Hollow clay bricks RJ 40 rendered		
$N_{rec}^*$	0,26	0,26
$N_{Ru,m}^*$	1,6	1,6

\* indicative values