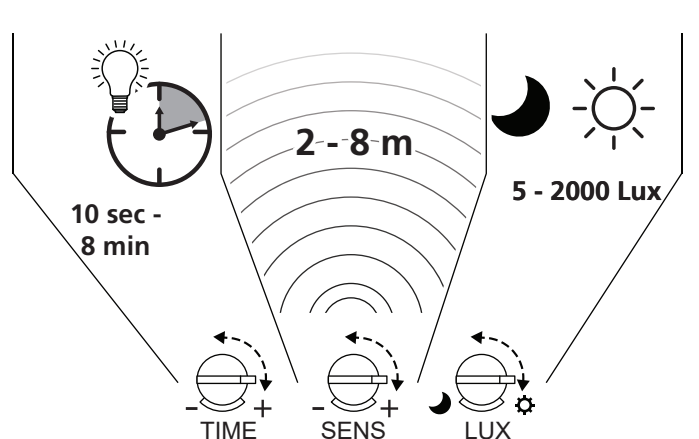
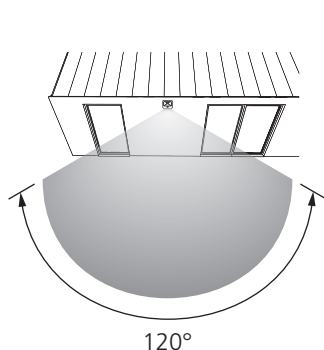
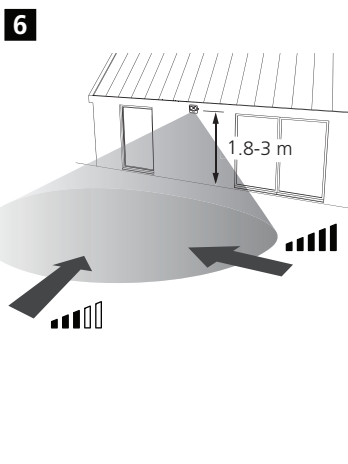
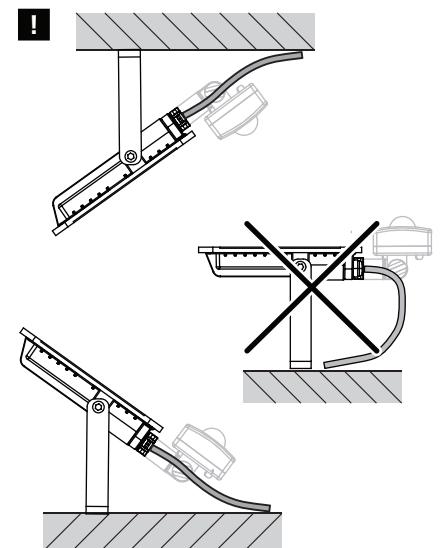
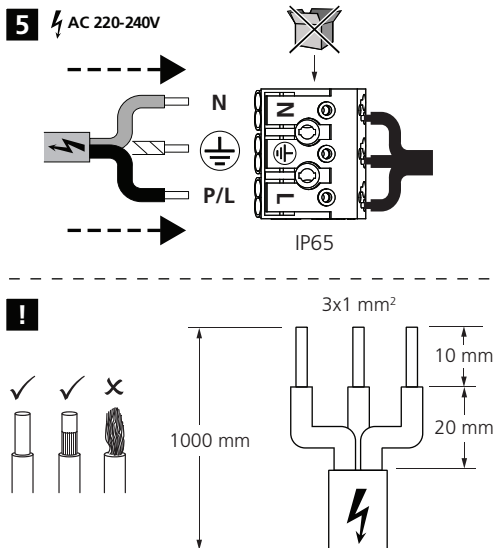
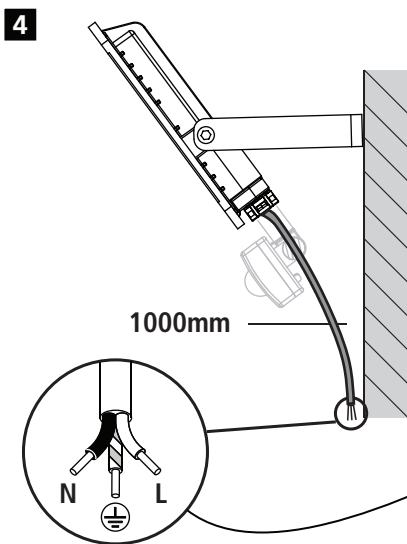
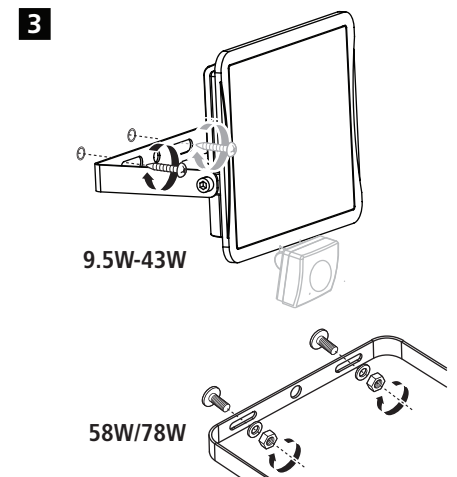
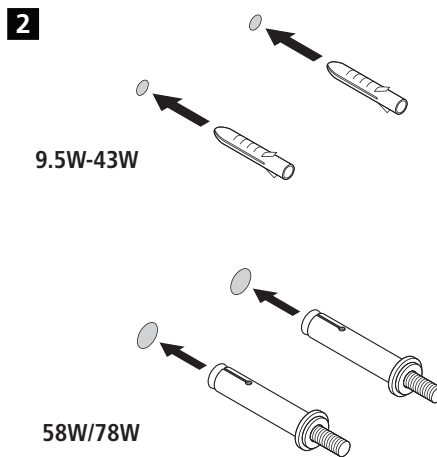
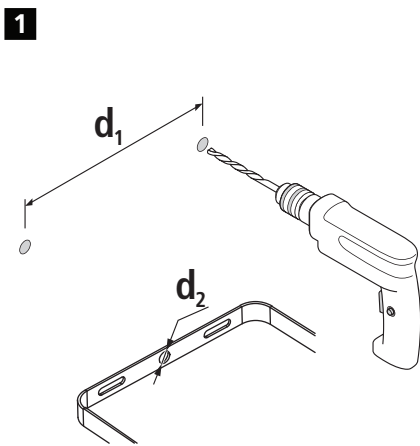
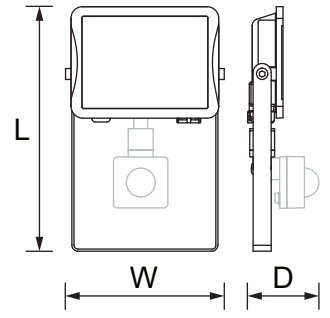
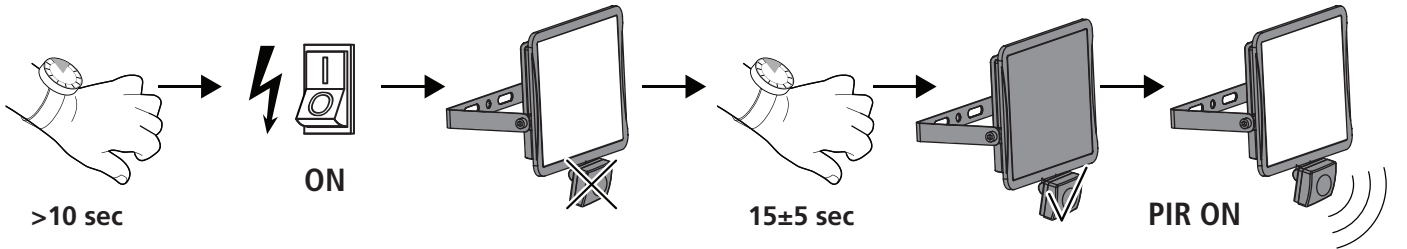
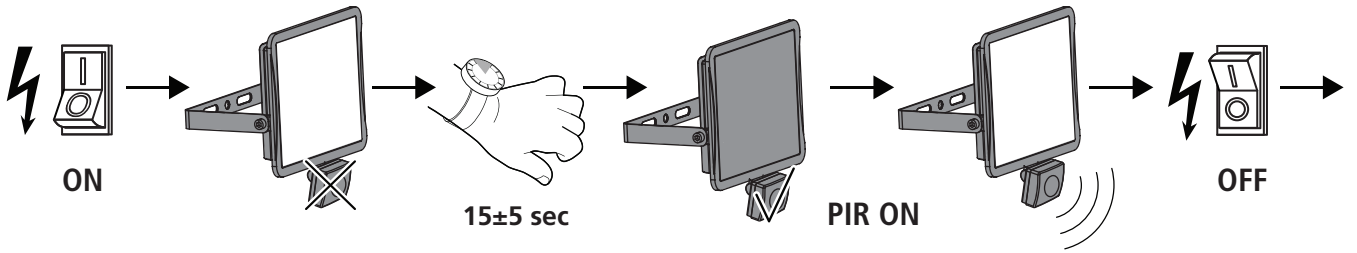


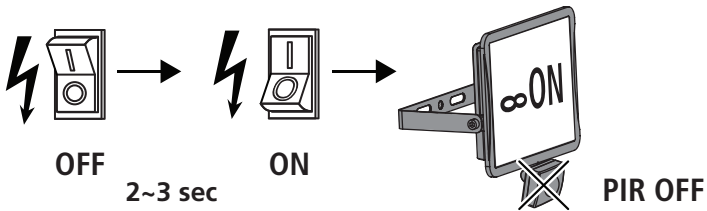
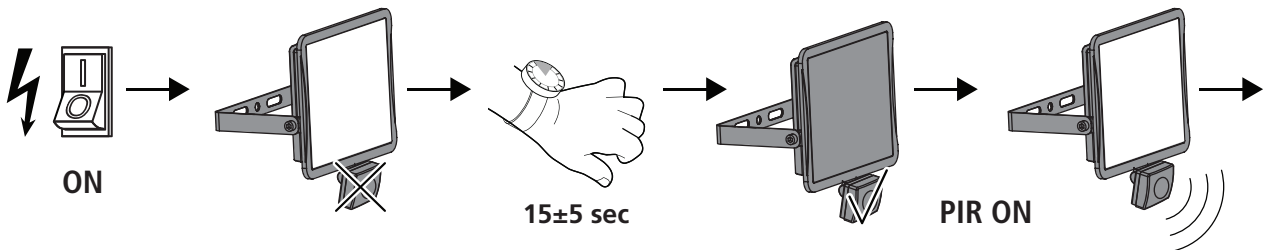
	L x W x D (mm)	P (W)	d <sub>1</sub> (mm)	d <sub>2</sub> (mm)	IK	IK	IP	KG	m <sup>2</sup>
1000 lm	100x108x23	9.5	57	6.5	06	-	65	0.260	0.0071
1000 lm PIR	190x125x52	10.5	57	6.5	-	05	65	0.390	0.0098
2000 lm	100x108x23	17	57	6.5	06	-	65	0.260	0.0071
2000 lm PIR	190x125x52	18	57	6.5	-	05	65	0.391	0.0098
3000 lm	112x125x26	26	57	6.5	06	-	65	0.325	0.0098
3000 lm PIR	190x125x52	27	57	6.5	-	05	65	0.393	0.0098
5000 lm	122x156x28	42	57	6.5	06	-	65	0.455	0.0168
5000 lm PIR	201x156x52	43	57	6.5	-	05	65	0.515	0.0168
7000 lm	151x193x30	58	70	8.5	06	-	65	0.665	0.0278
10 000 lm	196x251x33	78	70	8.5	07	-	65	1.135	0.0473



**7a**  PIR ON



**7b**  PIR OFF



**!** Z-type

