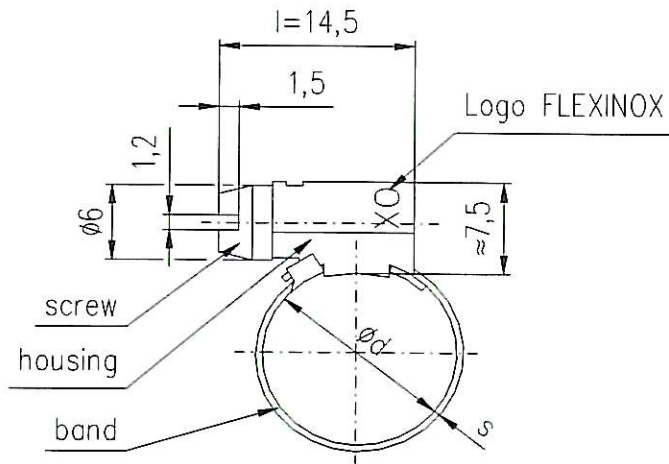




Worm drive hose clamps

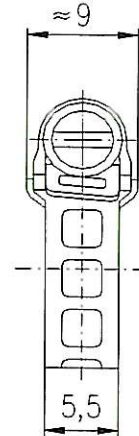
FX 5

Dimension, designation:



Dimension in mm:

Type of screw V5:
Diameter of 6mm
with longitudinal slot
fine machining



Designation:

FX	5	7-11	V5	- W4
Type	Band width	Clamping range	Type of Screw	Material code

Table No. 1: Dimension

Clamping range d (mm)	l (mm)	S (mm)	Supplied diameter (mm)
7-11	14,5	0,5	11 + 1 mm
9-14		± 0,03	14 + 1 mm
10 -19			18 + 1 mm

Unforide band on request.

Table No.2: Torques

Clamping range d (mm)	Material code	Static torques	
		max AD (Nm)	max PD (Nm)
7-11 and higher	W2B W4	1,5	1,7

AD : tightening torques

PD : test torques

Designed by:

Ing.Rudolf Polivka

Approved by:

Jan Blažek

Surface treatment:

Individual components made from material corresponding to code W4 as for table No.3 :
Band, housing and worm screw : bare, without coating

Corrosion test:

Non-corrosive parts :
160 h salt spray testing SS as for DIN 50 021.

Table No.3: Material

Code	Band	Housing	Screw
W4	chrom-nickel steel 1.4310,eq.1.4301 as for EN 10 088-2, Rm min.: 900 MPa	chrom-nickel steel 1.4301 as for EN 10 088-2, Rm min.:600 MPa	chrom-nickel steel 1.4570 as for EN 10088-3, Rm min.: 700 MPa

TL 010 G1

ABA Czech, s.r.o. Havlickova 28
CZ-693 01 Hustopece u Brna
Telefon: +420 519 440 311 Telefax: +420 519 411 282
E-mail: info@abaczech.cz www.abaczech.cz

09.12.04