



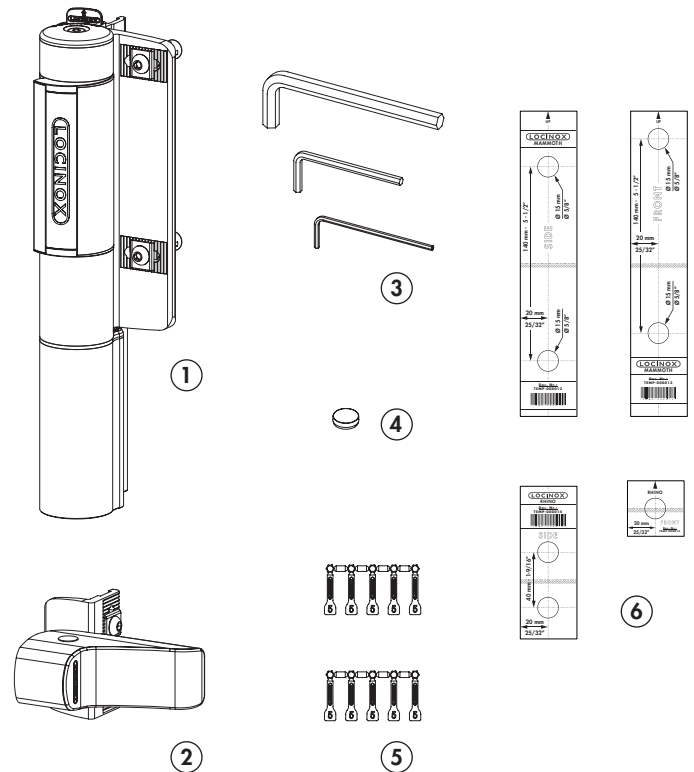
Manual - English

1. Introduction

Thank you for choosing a Locinox gatecloser! Please read the following instructions carefully before mounting the Mammoth & Rhino to your swing gate. Enclosed you will find all relevant user information concerning the Mammoth.

2. Package Contents

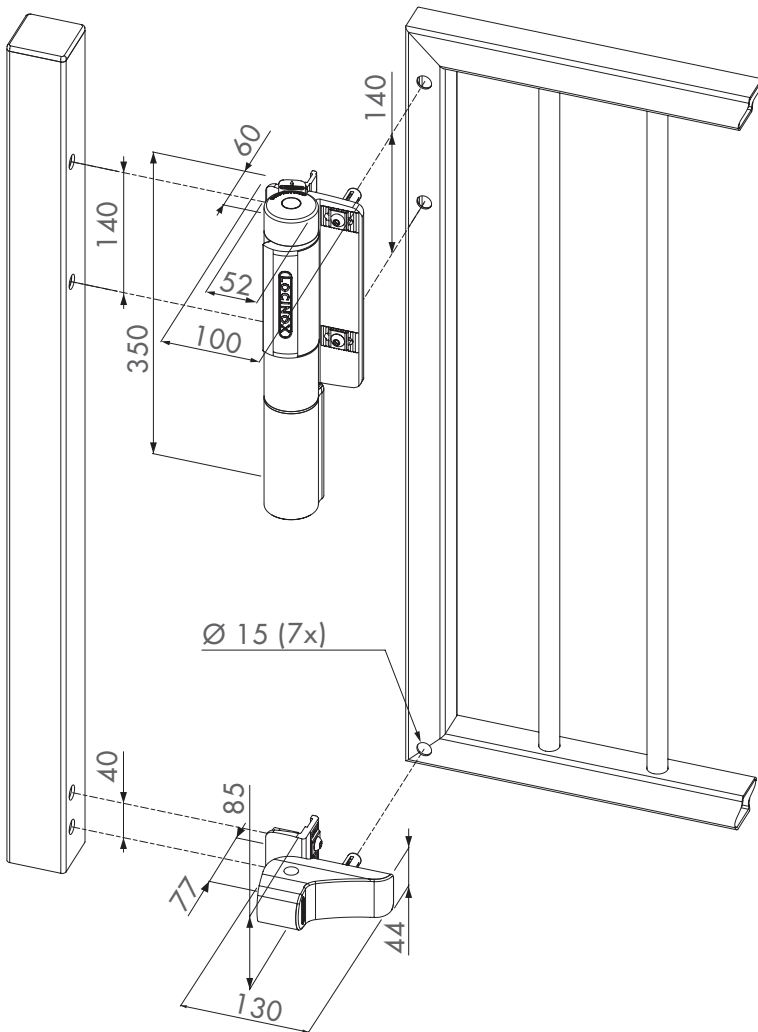
Please check if your package contains the following items:



①	Mammoth gatecloser
②	Rhino hinge
③	Allen keys 10 - 5 - 3
④	Cover cap
⑤	Hexplugs
⑥	Drilling templates

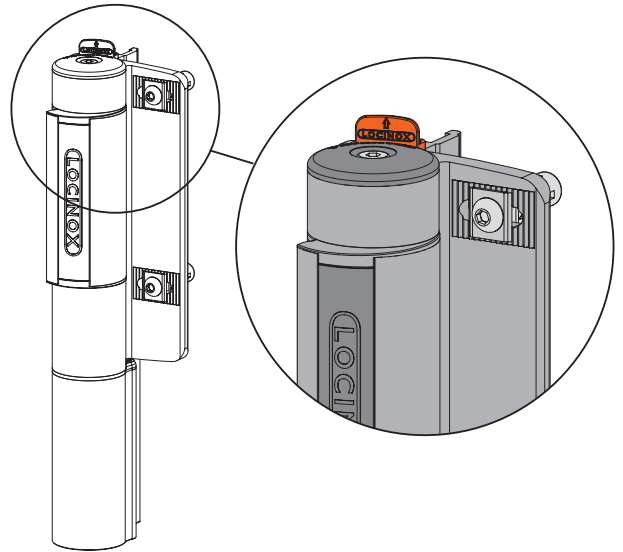
Please contact your supplier should any of the above items be damaged or missing.

3. Dimensions



4. Do not remove the orange plug before mounting

! The orange plug guarantees a perfect 90° angle between the mounting wings of the gatecloser. Leave this plug in place during installation.

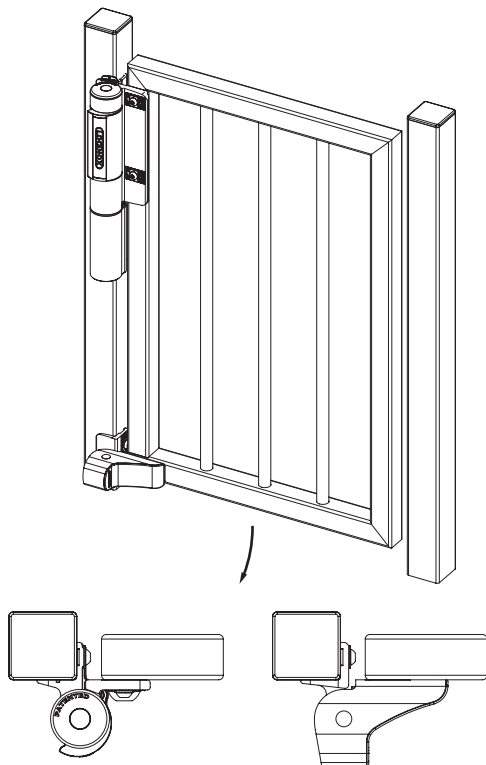


5. Choose the turning-direction of your gate

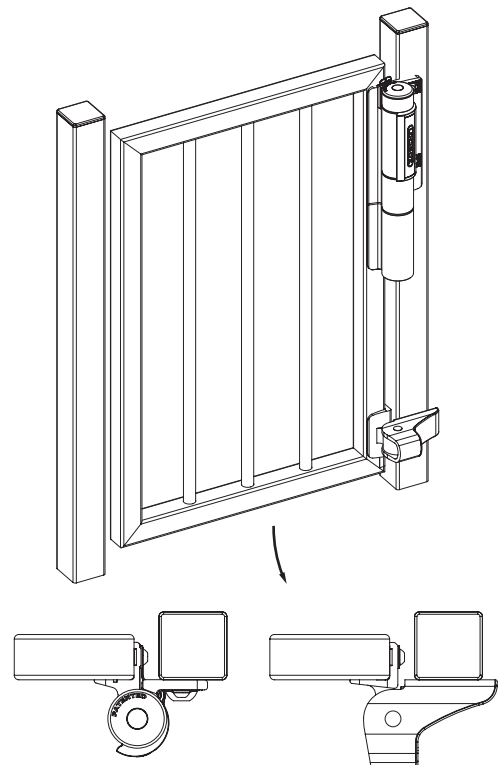
! Before preparing your profiles, decide if you have a left- or right hand door. The fixing of Mammoth and Rhino are different for each situation!

6. Profile preparation

A Left hand door



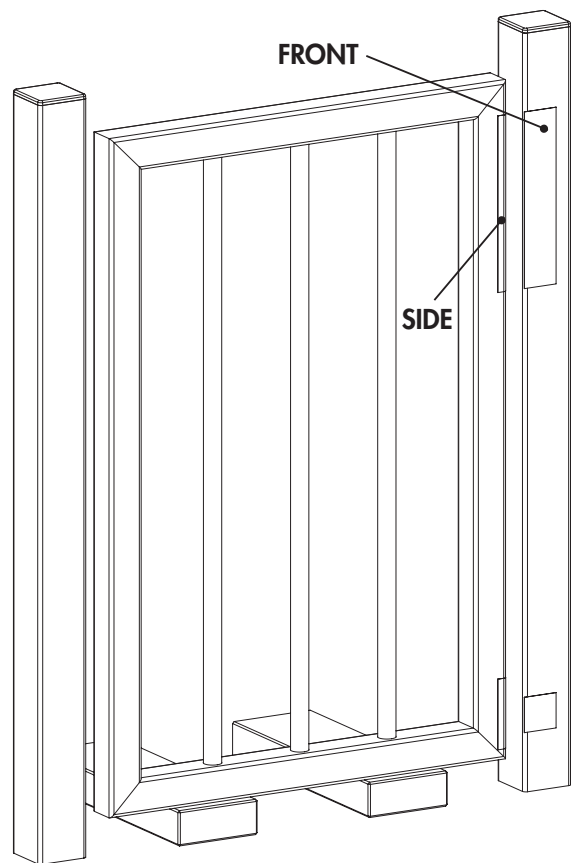
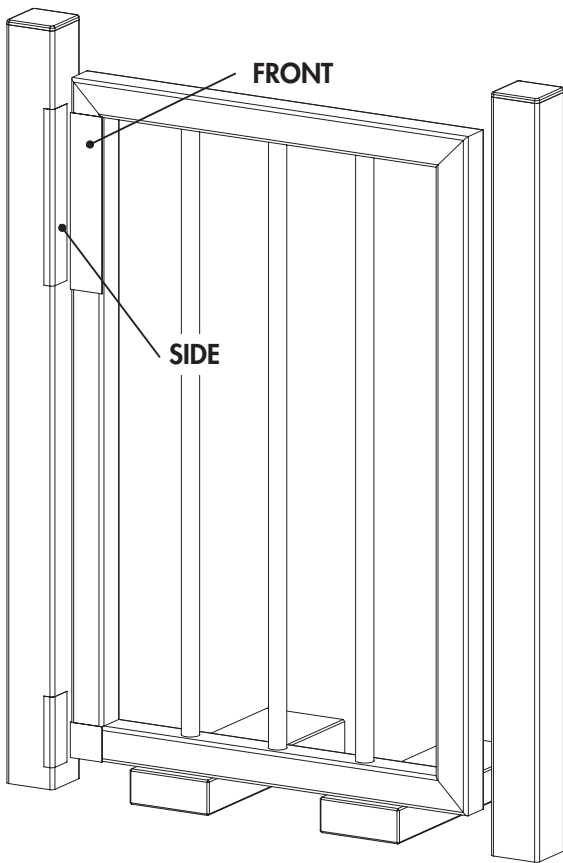
B Right hand door



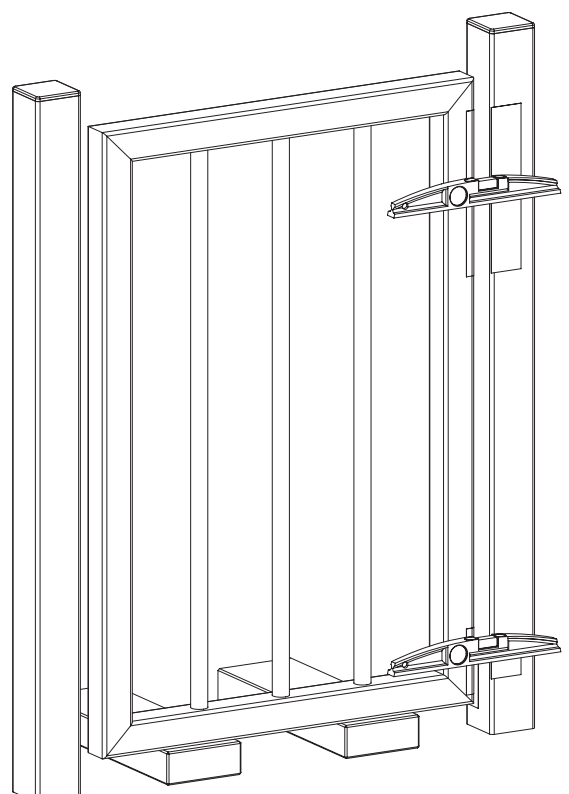
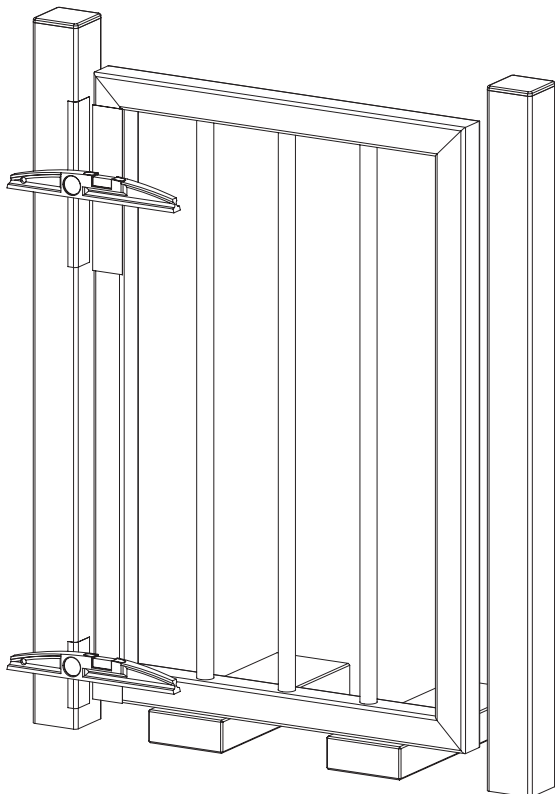
A Left hand door

B Right hand door

Stick the templates to gate and post. Make sure that front and side are stuck correctly.

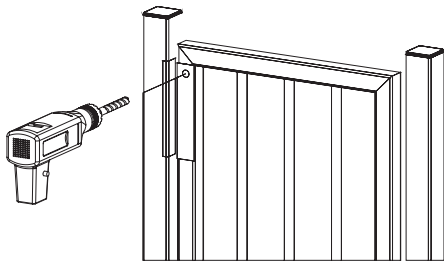


Align both templates using a spirit level

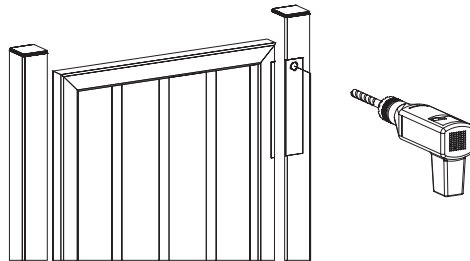


A Left hand door

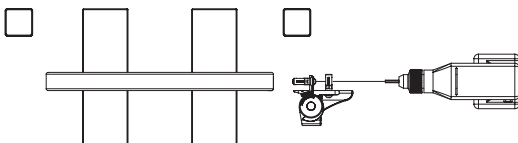
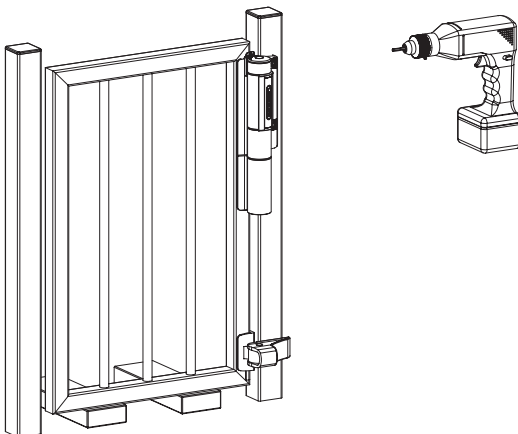
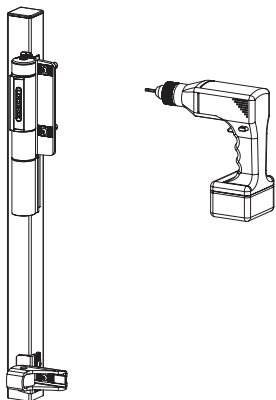
Center and drill the holes marked on the templates.



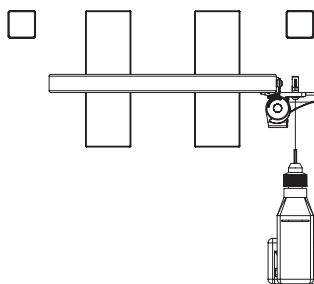
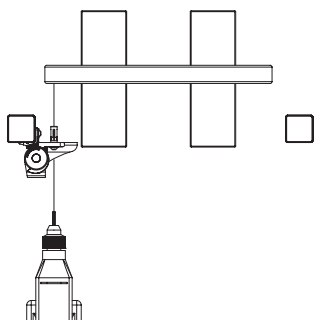
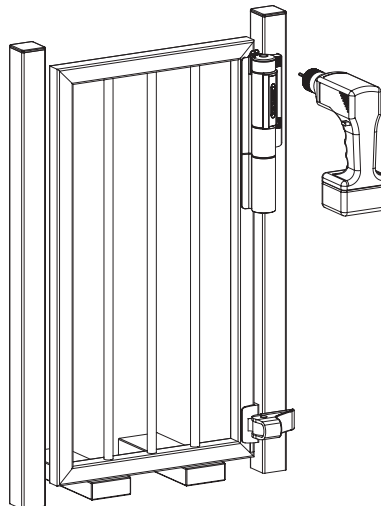
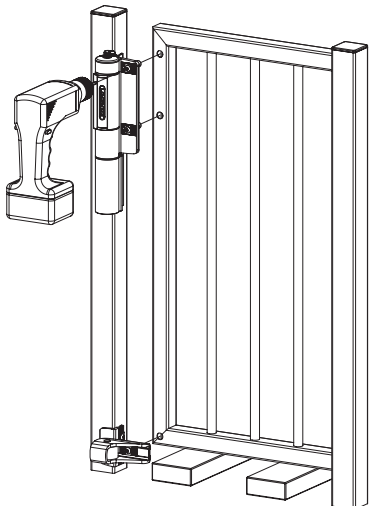
B Right hand door



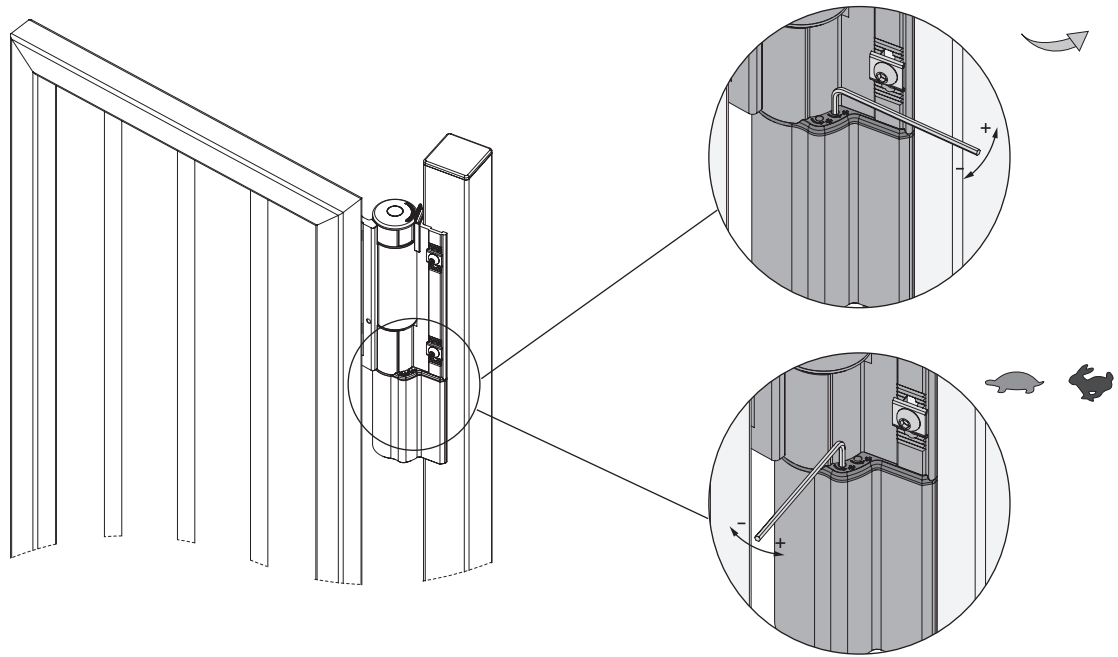
Tighten the Quick-Fix. Always start with the L-side of the Mammoth and Rhino.



Tighten the Quick-Fix. After fixing the L-side you can tighten the other wing of the Mammoth and Rhino.



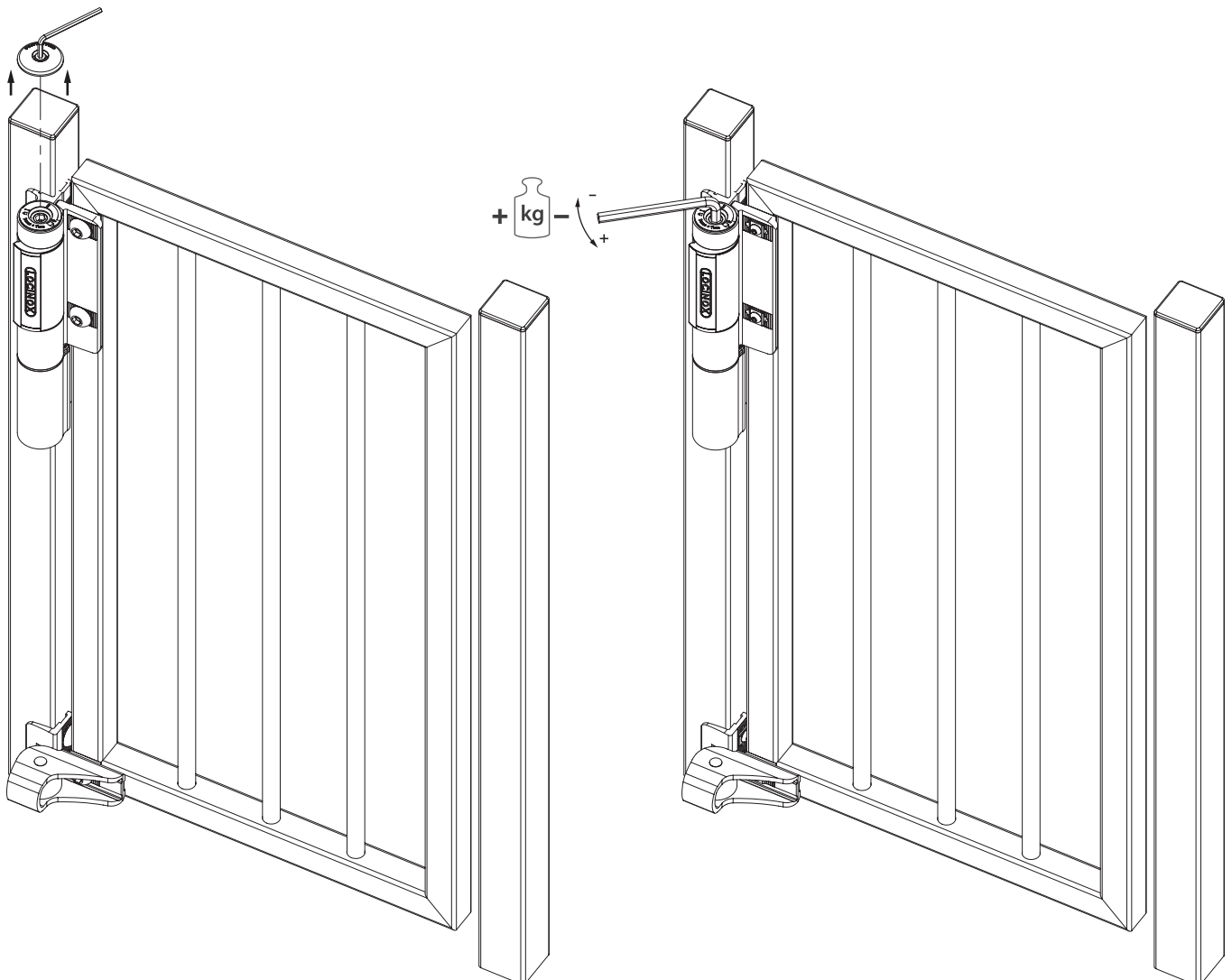
7. Speed and final snap adjustment



8. Force adjustment

Out of the box the product is set to maximum closing-force. We advise not to adjust closing-force unless in specific situations where a lower opening force is required.

Start with removing the covercap. Insert Allen key and push down firmly to disengage. Turn clockwise to decrease the spring-force. Spring can be clutched every 90°. Don't exercise excessive forces on the Allen key.



8. Finallying the installation



Before finishing the product with covercaps & plugs, make sure you well tested the final snap, speed and force adjustments.

