

# LA TECHNICITÉ À VOTRE SERVICE

## DESRIPTIF

VKING offre une gamme de vis de charpente pré-lubrifiées, avec un filetage d'accrochage breveté (pas de pré-perçage et diminution du risque de fendage du bois) et fileté jusqu'à la pointe.

De plus elles ont un moletage qui permet une réduction de l'effort de vissage, un entraînement plus rapide permettant un gain d'énergie et de temps.

Vis certifiées pour la construction bois en acier zingué blanc ou jaune.

## GAMME DE CINQ VIS

- Tête fraisée, crantée sous tête.
- Tête hexagonale avec embase, avec une surface portante plate pour une meilleure pression et répartition d'appui.
- Tête disque, résistance supérieure à la traction et à l'arrachement, elle permet de faire du tirage de bois.
- Tête hexagonale, avec une surface portante plate pour une meilleure pression d'appui.
- Tête cylindrique avec un deuxième filet sous la tête, diminuant l'effet d'écartement et réduisant ainsi les rebuts.

## APPLICATIONS

La gamme VKING est généralement destinée à l'assemblage de charpentes bois, solivage et ossature bois, mais peut être également utilisés pour de la menuiserie générale.

Idéale pour les travaux de charpente, que ce soit en utilisation plein bois ou pour la fixation d'isolants, elle permet une fixation parfaite des assemblages.

## EMPREINTE TORX PROFONDE

- Meilleure tenue à l'embout
- Couple de vissage élevé



## FRAISAGE INTERMÉDIAIRE

- Moins d'effort en fin de vissage



## POINTE CUTTING EFFILÉE

- Vissage précis
- Anti-fendage du bois

## AVANTAGES

- Qualité VKING, gamme complète de vis de charpente avec certification européenne
- L'empreinte torx permet un meilleur maintien de l'embout et une transmission intégrale du couple de serrage.
- Gamme d'embouts VKING spécialement conçus pour les vis de charpente.
- Pointe cutting anti-fendage



ETA-17/0609



Gamme utilisée dans les constructions en bois massif épicéa, pin, sapins, de type maison ossature bois, charpentes, structures de jeux et abris. L'éclatement du bois est réduit grâce à une pointe cutting. La contrainte, diminuée, grâce au fraisage intermédiaire. Aucun préperçage nécessaire.

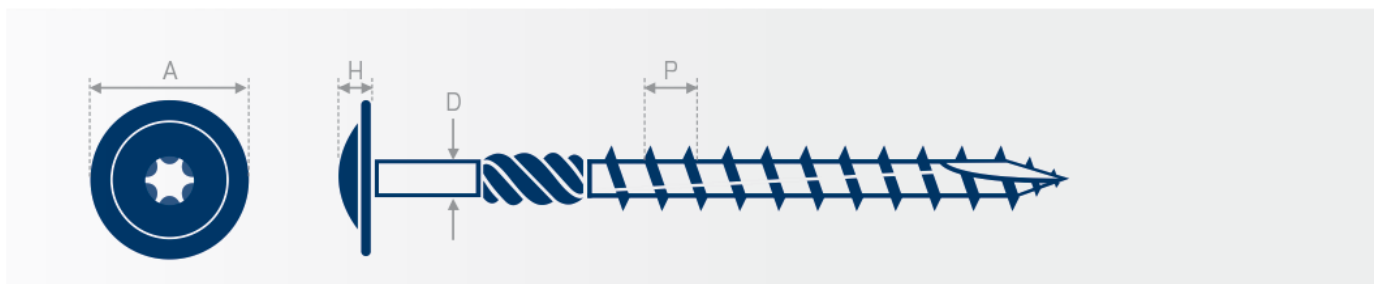
210RAF	211RAF
Acier	
Zn bichro	Zn blanc



Zingué bichro



Zingué blanc



### Caractéristiques (mm)

Diam. (D)	A	D	P	Embout
6	13.50/14.50	4.80/5.30	4.50	T30
8	22.00/23.50	6.80/7.20	5.50	T40
10	25.00/26.50	8.00/8.50	6.60	T40



DECLARATION DE PERFORMANCE (DoP)  
Réglementation des produits de construction (CPR) No 305/2011

DoPNr. 17/0609 – EN

1. Identification : VKING Screws
2. Type, numéro de lot ou de série ou tout autre élément permettant d'identifier le produit.  
Requis en vertu de l'article 11, paragraphe 4:

ETA-17/0609, annex 3.1-3.8  
Numéro de série: Voir emballage du produit

3. Usages ou utilisations prévues du produit de construction, conformément aux normes techniques harmonisées applicables, comme prévu par le fabricant:

Type de produit	Eléments de fixation pour bois – Vis à bois
Usage	Liaisons dans les structures en bois porteuses entre des supports à base de bois ou entre éléments bois et éléments en acier.  Tailles couvertes: D 6,0 - 12,0 mm
Option / Catégorie	-
Charge	Statique et quasi-statique
Matière	Acier zingué : Dimensions : Ø 6,0 - 12,0 mm
Plage de température si applicable	-

4. Nom, dénomination commerciale ou marque déposée et adresse de contact du fabricant, conformément à l'article 11, paragraphe 5 :

VKING by VISWOOD  
Rue de la Roseliere  
42450 Sury le Comtal  
FRANCE

5. Le cas échéant, nom et adresse du mandataire --
6. Système ou systèmes d'évaluation et de vérification de la constance des performances du produit de construction conformément à l'annexe V: système 3
7. En cas de déclaration de performance concernant un produit de construction couvert par une la norme: --

8. En cas de déclaration de performance concernant un produit de construction pour lequel un avis technique européen d'évaluation a été publié :

Deutsches Institut für Bautechnik (DIBt), Berlin  
ETA-17/0609

Sur la base de :  
EAD 130118-00-0603

9. Performance déclarées :

Caractéristiques	Méthode	Performance	Specifications techniques harmonisées
Résistance à la traction	EC 5	ETA-17/0609, annex 2	EAD 130118-00-0603
Moment caractéristique	EC 5	ETA-17/0609, annex 2	
Résistance à la torsion	EC 5	ETA-17/0609, annex 2	
Résistance de pénétration de tête	EC 5	ETA-17/0609, annex 2	
Espacement mini et distance mini au bord	EC 5	ETA-17/0609, annex 2	
Module de glissement axial $K_{ser}$	EC 5	ETA-17/0609, annex 2	

Lorsque, conformément aux articles 37 ou 38 de la documentation technique spécifique, des exigences auxquelles le produit est conforme sont respectées: --

10. La performance du produit identifié aux points 1 et 2 est conforme à la performance déclarée de point 9.

Cette déclaration de performance est émise sous la seule responsabilité du fabricant identifié au point 4.

-----  
Signé pour et au nom du fabricant par:

Benjamin POIZAT / Directeur Général



Approval body for construction products  
and types of construction

Bautechnisches Prüfamt

An institution established by the Federal and  
Laender Governments



## European Technical Assessment

**ETA-17/0609**  
**of 28 August 2017**

English translation prepared by DIBt - Original version in German language

### General Part

Technical Assessment Body issuing the  
European Technical Assessment:

Deutsches Institut für Bautechnik

Trade name of the construction product

VKING screws

Product family  
to which the construction product belongs

Screws for use in timber constructions

Manufacturer

VISWOOD  
Rue de la Roseliere  
42450 Sury le Comtal  
FRANKREICH

Manufacturing plant

Werk 1  
Plant 1

This European Technical Assessment  
contains

22 pages including 5 annexes which form an integral part  
of this assessment

This European Technical Assessment is  
issued in accordance with Regulation (EU)  
No 305/2011, on the basis of

EAD 130118-00-0603

The European Technical Assessment is issued by the Technical Assessment Body in its official language. Translations of this European Technical Assessment in other languages shall fully correspond to the original issued document and shall be identified as such.

Communication of this European Technical Assessment, including transmission by electronic means, shall be in full. However, partial reproduction may only be made with the written consent of the issuing Technical Assessment Body. Any partial reproduction shall be identified as such.

This European Technical Assessment may be withdrawn by the issuing Technical Assessment Body, in particular pursuant to information by the Commission in accordance with Article 25(3) of Regulation (EU) No 305/2011.

## Specific Part

### 1 Technical description of the product

VKING, VKING-D und VKING-F screws are self-tapping screws made from special carbon steel. The screws are hardened. The screws have a corrosion protection according to Annex A.2.6 and an antifriction coating. The outer thread diameter is not less than 6.0 mm and not greater than 12.0 mm. The overall length of the screws is ranging from 40 mm to 1000 mm. Further dimensions are shown in Annex 5.

The washers are made from carbon steel. The dimensions of the washers are given in Annex 5.

### 2 Specification of the intended use in accordance with the applicable European Assessment Document

The performances given in Section 3 are only valid if the screws are used in compliance with the specifications and conditions given in Annex 1 and 2.

Durability is only ensured if the specifications of intended use according to Annex 1 and 2 are taken into account.

The verifications and assessment methods on which this European Technical Assessment is based lead to the assumption of a working life of the screws of at least 50 years. The indications given on the working life cannot be interpreted as a guarantee given by the producer, but are to be regarded only as a means for choosing the right products in relation to the expected economically reasonable working life of the works.

### 3 Performance of the product and references to the methods used for its assessment

#### 3.1 Mechanical resistance and stability (BWR 1)

Essential characteristic	Performance
Dimensions	See Annex 5
Characteristic yield moment	See Annex 2
Characteristic withdrawal parameter	See Annex 2
Characteristic head pull-through parameter	See Annex 2
Characteristic tensile strength	See Annex 2
Characteristic yield strength	See Annex 2
Characteristic torsional strength	See Annex 2
Insertion moment	See Annex 2
Spacing, end and edge distances of the screws and minimum thickness of the wood based material	See Annex 2
Slip modulus for mainly axially loaded screws	See Annex 2

English translation prepared by DIBt

**3.2 Safety in case of fire (BWR 2)**

Essential characteristic	Performance
Reaction to fire	The screws are made of steel classified as Euroclass A1 in accordance with EC decision 96/603/EC, as amended by EC decision 2000/605/EC.

**3.3 Safety and accessibility in use (BWR 4)**

Same as BWR 1

**4 Assessment and verification of constancy of performance (AVCP) system applied, with reference to its legal base**

In accordance with EAD No. 130118-00-0603 the applicable European legal act is: 97/176/EC.

The system to be applied is: 3

**5 Technical details necessary for the implementation of the AVCP system, as provided for in the applicable EAD**

Technical details necessary for the implementation of the AVCP system are laid down in the control plan deposited with Deutsches Institut für Bautechnik.

Issued in Berlin on 28 August by Deutsches Institut für Bautechnik

Dr.-Ing. Lars Eckfeldt  
p. p. Head of Department

*beglaubigt:*  
Dewitt

## Annex 1 Specifications of intended use

### A.1.1 Use of the VKING screws only for:

- Static and quasi-static loads

### A.1.2 Base materials

The screws are used for connections in load bearing timber structures between wood-based members or between those members and steel members:

- Solid timber (softwood) according to EN 14081-1<sup>1</sup>,
- Glued laminated timber (softwood) according to EN 14080<sup>2</sup>,
- Laminated veneer lumber LVL of softwood according to EN 14374<sup>3</sup>, arrangement of the screws only perpendicular to the plane of the veneers,
- Glued solid timber (softwood) according to EN 14080 or national provisions that apply at the installation site,
- Cross-laminated timber (softwood) according to European Technical Approvals/Assessments or national provisions that apply at the installation site.

The screws may be used for connecting the following wood-based panels to the timber members mentioned above:

- Plywood according to EN 636<sup>4</sup> and EN 13986<sup>5</sup>,
- Oriented Strand Board, OSB according to EN 300<sup>6</sup> and EN 13986,
- Particleboard according to EN 312<sup>7</sup> and EN 13986,
- Fibreboards according to EN 622-2<sup>8</sup>, EN 622-3<sup>9</sup> and EN 13986,
- Cement-bonded particle boards according to EN 634-2<sup>10</sup> and EN 13986,
- Solid-wood panels according to EN 13353<sup>11</sup> and EN 13986.

Wood-based panels shall only be arranged on the side of the screw head.

VKING, VKING-F and VKING-D screws may be used for the fixing of thermal insulation material on top of rafters or on wood-based members in vertical façades.

VKING-F screws may be used for reinforcing of timber structures perpendicular to the grain.

1	EN 14081-1:2005+A1:2011	Timber structures – Strength graded structural timber with rectangular cross section – Part 1: General requirements
2	EN 14080:2013	Timber structures - Glued laminated timber and glued solid timber - Requirements
3	EN 14374:2004	Timber structures - Structural laminated veneer lumber - Requirements
4	EN 636:2012+A1:2015	Plywood - Specifications
5	EN 13986:2004+A1:2015	Wood-based panels for use in construction - Characteristics, evaluation of conformity and marking
6	EN 300:2006	Oriented strand boards (OSB) – Definition, classification and specifications
7	EN 312:2010	Particleboards - Specifications
8	EN 622-2:2004	Fibreboards – Specifications – Part 2: Requirements for hardboards
9	EN 622-3:2004	Fibreboards - Specifications - Part 3: Requirements for medium boards
10	EN 634-2:2007	Cement-bonded particleboards – Specifications – Part 2: Requirements for OPC bonded particleboards for use in dry, humid and external conditions
11	EN 13353:2008+A1:2011	Solid wood panels (SWP) – Requirements

VKING screws	Annex 1
Specifications of intended use	

### A.1.3 Use Conditions (environmental conditions)

The corrosion protection of the VKING screws is specified in Annex A.2.6. With regards to the use and the environmental conditions, the national provisions of the place of installation apply.

### A.1.4 Installation provisions

EN 1995-1-1<sup>12</sup> in conjunction with the respective national annex applies for the installation.

A minimum of two screws shall be used for connections in load bearing timber structures. This does not apply for special situations specified in National Annexes to EN 1995-1-1.

The screws are driven into the wood-based member made of softwood without pre-drilling. The screw holes in steel members shall be pre-drilled with an adequate diameter greater than the outer thread diameter.

If screws with an outer thread diameter  $d \geq 8$  mm are driven into the wood-based member without pre-drilling, the structural solid or glued laminated timber, laminated veneer lumber and similar glued members shall be from spruce, pine or fir.

In the case of fastening battens on thermal insulation material on top of rafters the screws shall be driven in the rafter through the battens and the thermal insulation material without pre-drilling in one sequence.

Countersunk head screws may be used with washers according to Annex 5. After inserting the screw the washers shall touch the surface of the wood-based member completely.

By fastening screws in wood-based members the head of the screws shall be flush with the surface of the wood-based member. For cylinder head screws the head part remains unconsidered.

<sup>12</sup> EN 1995-1-1: 2004+AC:2006+A1:2008+A2:2014 Eurocode 5: Design of timber structures – Part 1-1: General - Common rules and rules for buildings

VKING screws	Annex 1
Installation provisions	

## ANNEX 2 – Characteristic values of the load-carrying capacities

Table A.2.1 Characteristic load-carrying capacities of VKING screws

Outer thread diameter [mm]	6.0	8.0	10.0	12.0
Characteristic yield moment $M_{y,k}$ [Nm]	10.0	20.0	30.0	42.0
Characteristic tensile strength $f_{tens,k}$ [kN]	12.0	21.0	27.0	36.0
Characteristic torsional strength $f_{tor,k}$ [Nm]	10.0	24.0	39.0	58.0

### A.2.1 General

The minimum penetration length of the threaded part of the screw in the wood-based members  $l_{ef}$  shall be

$$l_{ef} = \frac{4 \cdot d}{\sin \alpha} \quad (2.1)$$

where

- $\alpha$  angle between screw axis and grain direction
- $d$  outer thread diameter of the screw.

The outer thread diameter of screws inserted in cross-laminated timber shall be at least 6 mm. The inner thread diameter  $d_1$  of the screws shall be greater than the maximal width of the gaps in the layer of cross laminated timber.

### A.2.2 Laterally loaded screws

The outer thread diameter  $d$  shall be used as effective diameter of the screw according to EN 1995-1-1. The embedding strength for the screws in wood-based members or in wood-based panels shall be taken from EN 1995-1-1 or from national provisions that apply at the installation site unless otherwise specified in the following.

### A.2.3 Axially loaded screws

The axial slip modulus  $K_{ser}$  of the threaded part of a screw for the serviceability limit state shall be taken independent of angle  $\alpha$  to the grain as:

$$K_{ser} = 780 \cdot d^{0.2} \cdot l_{ef}^{0.4} \quad [\text{N/mm}] \quad (2.2)$$

Where

- $d$  outer thread diameter of the screw [mm]
- $l_{ef}$  penetration length of the of the threaded part of the screw in the wood-based member [mm].

#### A.2.3.1 Axial withdrawal capacity

The characteristic withdrawal parameter at an angle  $\alpha = 90^\circ$  to the grain based on a characteristic density of the wood-based member of 350 kg/m<sup>3</sup> is

$f_{ax,k} = 11 \text{ N/mm}^2$  for screws with  $6 \text{ mm} \leq d \leq 8 \text{ mm}$  and

$f_{ax,k} = 10 \text{ N/mm}^2$  for screws with  $d \geq 10 \text{ mm}$ .

For LVL a maximum characteristic density of 500 kg/m<sup>3</sup> shall be used in equation (8.40a) of EN 1995-1-1.

VKING screws	Annex 2
Characteristic values of the load-carrying capacities	

### A.2.3.2 Head pull-through capacity

The characteristic value of the head pull-through parameter for VKING screws for a characteristic density of 350 kg/m<sup>3</sup> of the timber and for wood-based panels like

- Plywood according to EN 636 and EN 13986
- Oriented Strand Board, OSB according to EN 300 and EN 13986
- Particleboard according to EN 312 and EN 13986
- Fibreboards according to EN 622-2, EN 622-3 and EN 13986
- Cement-bonded particle boards according to EN 634-2 and EN 13986,
- Solid-wood panels according to EN 13353 and EN 13986

with a thickness of more than 20 mm is

$$f_{\text{head,k}} = 9.4 \text{ N/mm}^2 \text{ for screws with countersunk or wafer head.}$$

For wood-based panels a maximum characteristic density of 380 kg/m<sup>3</sup> and for LVL a maximum characteristic density of 500 kg/m<sup>3</sup> shall be used in equation (8.40b) of EN 1995-1-1.

The head diameter shall be equal to or greater than  $1.8 \cdot d_s$ , where  $d_s$  is the smooth shank or the inner thread diameter. Otherwise the characteristic head pull-through capacity in equation (8.40b) of EN 1995-1-1 is for all wood-based materials:  $F_{\text{ax},\alpha,\text{RK}} = 0$ .

For wood based panels with a thickness  $12 \text{ mm} \leq t \leq 20 \text{ mm}$  the characteristic value of the head pull-through parameter for the screws is:

$$f_{\text{head,k}} = 8 \text{ N/mm}^2$$

For wood based panels with a thickness of less than 12 mm the characteristic head pull-through capacity for screws shall be based on a characteristic value of the head pull-through parameter of 8 N/mm<sup>2</sup>, and limited to 400 N complying with the minimum thickness of the wood based panels of 1.2·d, with d as outer thread diameter and the values in Table A.2.2.

Table A.2.2 Minimum thickness of wood based panels

Wood based panel	Minimum thickness [mm]
Plywood	6
Fibreboards (hardboards and medium boards)	6
Oriented Strand Boards, OSB	8
Particleboards	8
Cement-bonded particle board	8
Solid wood Panels	12

VKING screws	Annex 2
Characteristic values of the load-carrying capacities	

For VKING-F and VKING-D screws with countersunk or wafer head the withdrawal capacity of the thread in the wood-based member with the screw head may be taken into account instead of the head pull-through capacity:

$$F_{ax,\alpha,Rk} = \max \left\{ \begin{array}{l} f_{head,k} \cdot d_h^2 \cdot \left( \frac{\rho_k}{350} \right)^{0,8} \\ \frac{f_{ax,k} \cdot d \cdot l_{ef,k}}{1,2 \cdot \cos^2 \alpha + \sin^2 \alpha} \cdot \left( \frac{\rho_k}{350} \right)^{0,8} \end{array} \right. \quad (2.3)$$

For VKING-F and VKING-D screws with cylinder head the withdrawal capacity of the thread in the wood-based member with the screw head may be taken into account:

$$F_{ax,\alpha,Rk} = \frac{f_{ax,k} \cdot d \cdot l_{ef,k}}{1,2 \cdot \cos^2 \alpha + \sin^2 \alpha} \cdot \left( \frac{\rho_k}{350} \right)^{0,8} \quad (2.4)$$

where

- $f_{head,k}$  characteristic value of the head pull-through capacity of the screw [N/mm<sup>2</sup>]
- $f_{ax,k}$  characteristic value of the axial withdrawal capacity of the threaded part of the screw,  $f_{ax,k}$  does not apply for wood-based panels [N/mm<sup>2</sup>],
- $d_h$  diameter of the screw head [mm],
- $\rho_k$  characteristic density of the wood-based member with the screw head [kg/m<sup>3</sup>],
- $l_{ef,k}$  penetration length of the threaded part of the screw in the wood-based member with the screw head [mm],  
 $l_{ef,k} \geq 4 \cdot d$
- $\alpha$  angle  $\alpha$  between screw axis and grain direction,  $30^\circ \leq \alpha \leq 90^\circ$ .

Outer diameter of washer  $d_k > 32$  mm shall not be considered.

In steel-to-timber connections the head pull-through capacity is not governing.

VKING screws	Annex 2
Characteristic values of the load-carrying capacities	

### A.2.3.3 Compressive capacity of VKING-F screws

The design axial capacity  $F_{ax,Rd}$  of VKING-F screws embedded in solid timber, glued solid timber or glued laminated timber made from softwood with an angle between screw axis and grain direction of  $30^\circ \leq \alpha \leq 90^\circ$  is the minimum of the axial resistance against pushing-in and the buckling resistance of the screw.

$$F_{ax,Rd} = \min \{ f_{ax,d} \cdot d \cdot l_{ef}; \kappa_c \cdot N_{pl,d} \} \quad (2.5)$$

$f_{ax,d}$  design value of the axial withdrawal capacity of the threaded part of the screw [N/mm<sup>2</sup>]

$d$  outer thread diameter of the screw [mm]

$l_{ef}$  penetration length of the threaded part of the screw in the timber member [mm]

$$\kappa_c = 1 \quad \text{für } \bar{\lambda}_k \leq 0,2 \quad (2.6)$$

$$\kappa_c = \frac{1}{k + \sqrt{k^2 - \bar{\lambda}_k^2}} \quad \text{für } \bar{\lambda}_k > 0,2 \quad (2.7)$$

$$k = 0,5 \cdot \left[ 1 + 0,49 \cdot (\bar{\lambda}_k - 0,2) + \bar{\lambda}_k^2 \right] \quad (2.8)$$

and a relative slenderness ratio  $\bar{\lambda}_k = \sqrt{\frac{N_{pl,k}}{N_{ki,k}}}$  (2.9)

where:

$N_{pl,k}$  characteristic plastic normal force related to the net cross-section

of the inner thread diameter:  $N_{pl,k} = \pi \cdot \frac{d_1^2}{4} \cdot f_{y,k}$  (2.10)

$f_{y,k}$  characteristic yield strength,

$f_{y,k} = 900 \text{ N/mm}^2$  for VKING-F screws with  $d = 12 \text{ mm}$  and

$f_{y,k} = 1000 \text{ N/mm}^2$  for VKING-F screws with  $6 \text{ mm} \leq d \leq 10 \text{ mm}$

$d_1$  inner thread diameter of the screw [mm]

$$N_{pl,d} = \frac{N_{pl,k}}{\gamma_{M1}} \quad (2.11)$$

$\gamma_{M1}$  partial factor according to EN 1993-1-1 in conjunction with the particular national annex

Characteristic ideal elastic buckling load:

$$N_{ki,k} = \sqrt{c_h \cdot E_s \cdot I_s} \quad [\text{N}] \quad (2.12)$$

Elastic foundation of the screw:

$$c_h = (0,19 + 0,012 \cdot d) \cdot \rho_k \cdot \left( \frac{90^\circ + \alpha}{180^\circ} \right) \quad [\text{N/mm}^2] \quad (2.13)$$

$\rho_k$  characteristic density of the wood-based member [kg/m<sup>3</sup>],  
 $\alpha$  angle between screw axis and grain direction,  $30^\circ \leq \alpha \leq 90^\circ$

Modulus of elasticity:

$$E_s = 210000 \text{ N/mm}^2$$

Second moment of area:

$$I_s = \frac{\pi \cdot d_1^4}{64} \quad [\text{mm}^4] \quad (2.14)$$

VKING screws	Annex 2
Compressive capacity	

#### A.2.4 Spacing, end and edge distances of the screws and minimum thickness of the wood based material

Minimum thickness for structural members made from solid timber, glued laminated timber, glued solid timber, laminated veneer lumber and cross laminated timber is  $t = 30$  mm for screws with  $d \leq 8$  mm,  $t = 40$  mm for screws with  $d = 10$  mm and  $t = 100$  mm for screws with  $d = 12$  mm.

##### A.2.4.1 Laterally and/or axially loaded screws

Screws in non pre-drilled holes

For VKING screws minimum spacing and distances are given in EN 1995-1-1: 2004+AC:2006+A1:2008+A2:2014, clause 8.3.1.2 and Table 8.2 as for nails in non-predrilled holes. Here, the outer thread diameter  $d$  shall be considered.

For Douglas fir members minimum spacing and distances parallel to the grain shall be increased by 50%.

Minimum distances from loaded or unloaded ends shall be at least  $15 \cdot d$  for screws with outer thread diameter  $d \geq 8$  mm and timber thickness  $t < 5 \cdot d$ .

Minimum distances from the unloaded edge perpendicular to the grain may be reduced to  $3 \cdot d$  also for timber thickness  $t < 5 \cdot d$ , if the spacing parallel to the grain and the end distance is at least  $25 \cdot d$ .

##### A.2.4.2 Only axially loaded screws

For VKING screws the minimum spacings, end and edge distances are given in EN 1995-1-1:2004+AC:2006+A1:2008+A2:2014, clause 8.3.1.2 and Table 8.2 as for nails in non-predrilled holes and clause 8.7.2, Table 8.6.

##### A.2.5 Insertion moment

The ratio between the characteristic torsional strength  $f_{tor,k}$  and the mean value of insertion moment  $R_{tor,mean}$  fulfills the requirement for all screws.

##### A.2.6 Durability against corrosion

The screws and washers made from carbon steel may have the coatings according to Table A.2.3

Table A.2.3 Coatings of the VKING screws

Coating	Mean thickness of the coating [ $\mu\text{m}$ ]
electrogalvanised	8

VKING screws	Annex 2
Spacing, end and edge distances and durability against corrosion	

## ANNEX 3 - Compression reinforcement perpendicular to the grain

### A.3.1 General

Only VKING-F screws shall be used for compression reinforcement perpendicular to the grain. The provisions are valid for reinforcing timber members made from solid timber, glued solid timber or glued laminated timber made from softwood.

The compression force shall evenly be distributed to the screws used as compression reinforcement.

The screws are driven into the timber member perpendicular to the contact surface under an angle between the screw axis and the grain direction of 45° to 90°. The screw heads shall be flush with the timber surface.

### A.3.2 Design

For the design of reinforced contact areas the following conditions shall be met independently of the angle between the screw axis and the grain direction.

The design resistance of a reinforced contact area is:

$$R_{90,d} = \min \left\{ \begin{array}{l} k_{c,90} \cdot B \cdot \ell_{ef,1} \cdot f_{c,90,d} + n \cdot \min \{ R_{ax,d}; \kappa_c \cdot N_{pl,d} \} \\ B \cdot \ell_{ef,2} \cdot f_{c,90,d} \end{array} \right\} \quad (3.1)$$

where:

$k_{c,90}$  parameter according to EN 1995-1-1:2004 + AC:2006 + A1:2008 + A2:2014, 6.1.5

$B$  bearing width [mm]

$\ell_{ef,1}$  effective contact length according to EN 1995-1-1:2004 + AC:2006 + A1:2008 + A2:2014, 6.1.5 [mm]

$f_{c,90,d}$  design compressive strength perpendicular to the grain [N/mm<sup>2</sup>]

$n$  number of reinforcing screws,  $n = n_0 \cdot n_{90}$

$n_0$  number of reinforcing screws arranged in a row parallel to the grain

$n_{90}$  number of reinforcing screws arranged in a row perpendicular to the grain

$$R_{ax,d} = f_{ax,d} \cdot d \cdot \ell_{ef} \quad [N] \quad (3.2)$$

$f_{ax,d}$  design value of the axial withdrawal capacity of the threaded part of the screw [N/mm<sup>2</sup>]

$d$  outer thread diameter of the screw [mm]

$\kappa_c$  according to Annex A.2.3.3

$N_{pl,d}$  according to Annex A.2.3.3 [N]

$\ell_{ef,2}$  effective contact length in the plane of the screw tips (see Figure 3.1) [mm]

$\ell_{ef,2} = \{ \ell_{ef} + (n_0 - 1) \cdot a_1 + \min(\ell_{ef}; a_{1,c}) \}$  for end supports (see Figure 3.1 left)

$\ell_{ef,2} = \{ 2 \cdot \ell_{ef} + (n_0 - 1) \cdot a_1 \}$  for intermediate supports (see Figure 3.1 right)

$\ell_{ef}$  threaded length of the screw in the timber member [mm]

$a_1$  Spacing  $a_1$  in a plane parallel to grain, see chapter A.2.4.2 [mm]

$a_{1,CG}$  End distance of the centre of gravity of the threaded part in the timber member, see chapter A.2.4.2 [mm]

VKING screws	Annex 3
Compression reinforcement perpendicular to the grain	

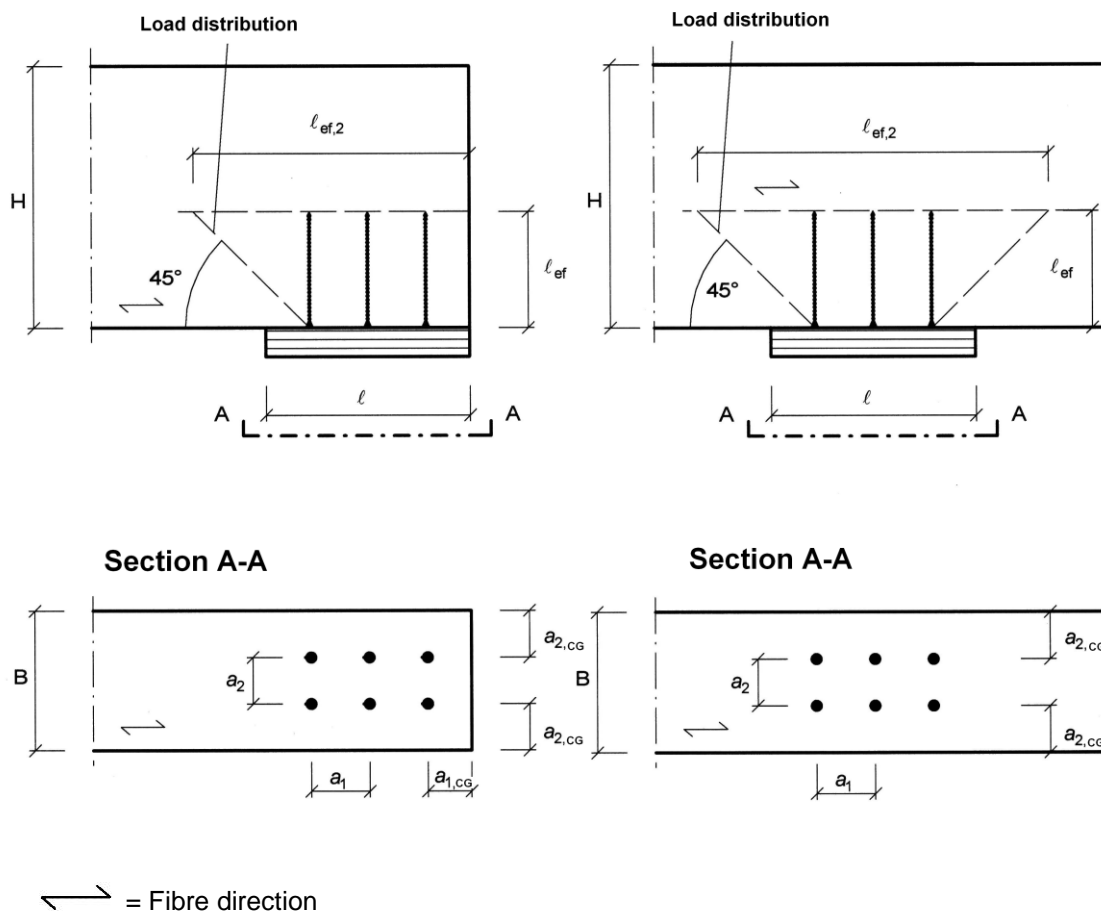


Figure A.3.1: Reinforced end support (left) and reinforced intermediate support (right)

VKING screws	Annex 3
Compression reinforcement perpendicular to the grain	

## ANNEX 4 - Fastening of thermal insulation material on top of rafters

### A.4.1 General

VKING screws may be used for the fixing of thermal insulation material on top of rafters or on wood-based members in vertical façades. In the following, the meaning of the word rafter includes wood-based members with inclinations between 0° and 90°.

The thickness of the thermal insulation material may be up to 300 mm. The thermal insulation material shall be applicable as insulation on top of rafters or for façades according to national provisions that apply at the installation site.

The battens have to be from solid timber according to EN 338/ EN 14081-1. The minimum thickness  $t$  and the minimum width  $b$  of the battens are given in table A.4.1:

Table A.4.1 Minimum thickness and minimum width of the battens

Outer thread diameter [mm]	Minimum thickness $t$ [mm]	Minimum width $b$ [mm]
6 and 8	30	50
10	40	60
12	80	100

Instead of battens the wood-based panels specified in chapter A.4.2.1 may be used. Only screws with countersunk head shall be used for fixing wood-based panels on rafters with thermal insulation material as interlayer.

The minimum width of the rafters shall be 60 mm.

The spacing between screws shall be not more than 1.75 m.

Friction forces shall not be considered for the design of the characteristic axial load of the screws.

The anchorage of wind suction forces as well as the bending stresses of the battens shall be considered for design. Screws perpendicular to the grain of the rafter (angle  $\alpha = 90^\circ$ ) may be arranged where required considering the design of the battens.

### A.4.2 Parallel inclined screws and thermal insulation material in compression

#### A.4.2.1 Mechanical model

The system of rafter, thermal insulation material on top of rafter and counter battens parallel to the rafter may be considered as a beam on elastic foundation. The counter batten represents the beam, and the thermal insulation material on top of the rafter the elastic foundation. The minimum compressive stress of the thermal insulation material at 10 % deformation, measured according to EN 826<sup>13</sup>, shall be  $\sigma_{(10\%)} = 0.05 \text{ N/mm}^2$ . The counter batten is loaded perpendicular to the axis by point loads  $F_b$  transferred by regularly spaced battens. Further point loads  $F_s$  are caused by the shear load of the roof due to dead and snow load, which are transferred from the screw heads into the counter battens.

Instead of battens the following wood-based panels may be used to cover the thermal insulation material if they are suitable for that use:

- Plywood according to EN 636 and EN 13986,
- Oriented Strand Board, OSB according to EN 300 and EN 13986,
- Particleboard according to EN 312 and EN 13986
- Fibreboards according to EN 622-2, EN 622-3 and EN 13986.

The minimum thickness of the wood-based panels shall be 22 mm.

The word batten includes the meaning of wood-based panels in the following.

<sup>13</sup> EN 826:2013 Thermal insulating products for building applications - Determination of compression behaviour

VKING screws	Annex 4
Fastening of thermal insulation material on top of rafters	

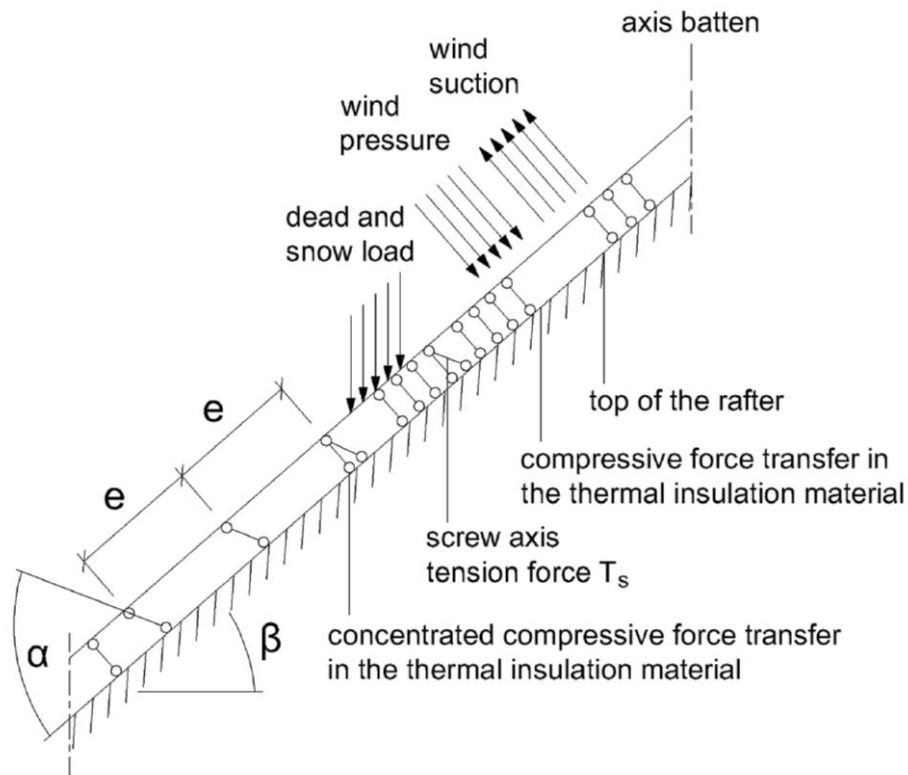
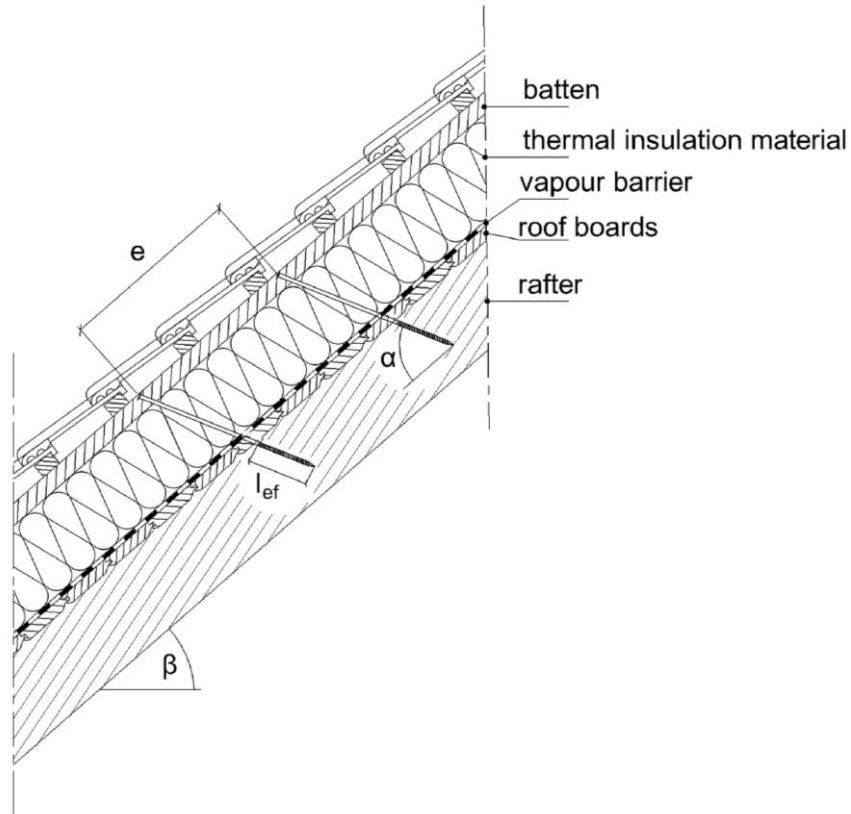


Figure A.4.1 Fastening of the thermal insulation material on top of rafters - structural system

VKING screws	Annex 4
Fastening of thermal insulation material on top of rafters	

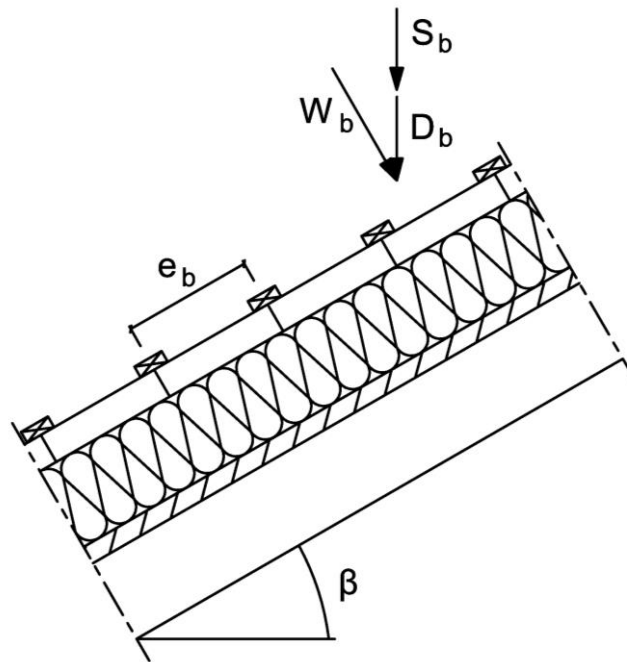


Figure A.4.2 Point loads  $F_b$  perpendicular to the battens

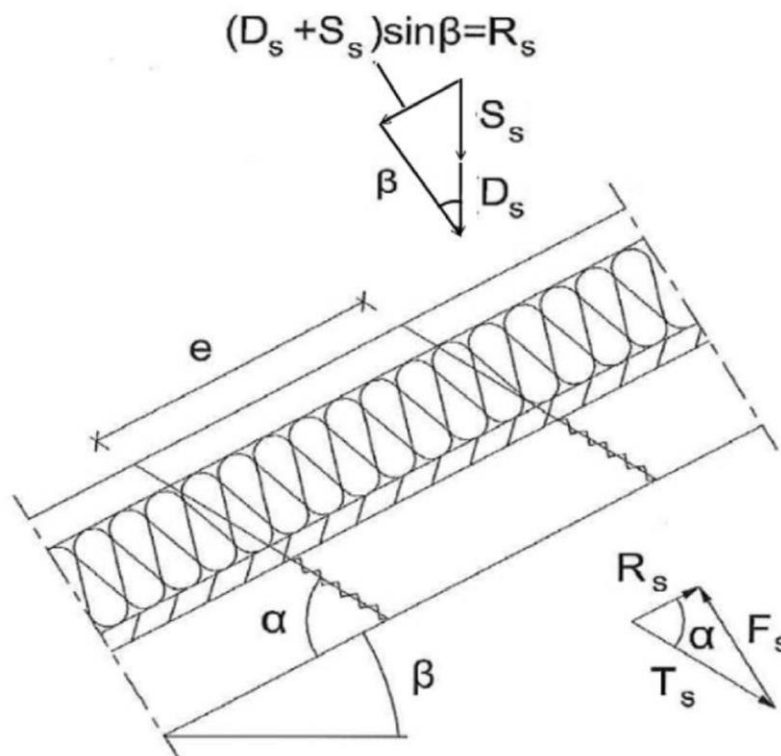


Figure A.4.3 Point loads  $F_s$  perpendicular to the battens, load application in the area of the screw heads

electronic copy of the eta by dibt: eta-17/0609

VKING screws	Annex 4
Fastening of thermal insulation material on top of rafters	

#### A.4.2.2 Design of the battens

It's assumed that the spacing between the counter battens exceeds the characteristic length  $l_{char}$ .

The characteristic values of the bending stresses are calculated as:

$$M_k = \frac{(F_b + F_s) \cdot l_{char}}{4} \quad (4.1)$$

where

$$l_{char} = \text{characteristic length } l_{char} = \sqrt[4]{\frac{4 \cdot EI}{w_{ef} \cdot K}} \quad (4.2)$$

$EI$  = bending stiffness of the batten

$K$  = coefficient of subgrade

$w_{ef}$  = effective width of the thermal insulation material

$F_{b,k}$  = point loads perpendicular to the battens

$F_{s,k}$  = point loads perpendicular to the battens, load application in the area of the screw heads

The coefficient of subgrade  $K$  may be calculated from the modulus of elasticity  $E_{HI}$  and the thickness  $t_{HI}$  of the thermal insulation material if the effective width  $w_{ef}$  of the thermal insulation material under compression is known. Due to the load extension in the thermal insulation material the effective width  $w_{ef}$  is greater than the width of the batten or rafter, respectively. For further calculations, the effective width  $w_{ef}$  of the thermal insulation material may be determined according to:

$$w_{ef} = w + t_{HI} / 2 \quad (4.3)$$

where

$w$  = minimum from width of the batten or rafter, respectively

$t_{HI}$  = thickness of the thermal insulation material

$$K = \frac{E_{HI}}{t_{HI}} \quad (4.4)$$

The following condition shall be satisfied:

$$\frac{\sigma_{m,d}}{f_{m,d}} = \frac{M_d}{W \cdot f_{m,d}} \leq 1 \quad (4.5)$$

For the calculation of the section modulus  $W$  the net cross section shall be considered.

The characteristic values of the shear stresses shall be calculated according to:

$$V_k = \frac{(F_b + F_s)}{2} \quad (4.6)$$

The following condition need to be satisfied:

$$\frac{\tau_d}{f_{v,d}} = \frac{1.5 \cdot V_d}{A \cdot f_{v,d}} \leq 1 \quad (4.7)$$

For the calculation of the cross section area the net cross section shall be considered.

VKING screws	Annex 4
Fastening of thermal insulation material on top of rafters	

#### A.4.2.3 Design of the thermal insulation material

The characteristic value of the compressive stresses in the thermal insulation material shall be calculated according to:

$$\sigma_k = \frac{1.5 \cdot F_{b,k} + F_{s,k}}{2 \cdot l_{char} \cdot w} \quad (4.8)$$

The design value of the compressive stress shall not be greater than 110 % of the compressive strength at 10 % deformation calculated according to EN 826.

#### A.4.2.4 Design of the screws

The screws are loaded predominantly axial. The characteristic value of the axial tension force in the screw may be calculated from the shear loads of the roof  $R_s$ :

$$T_{S,k} = \frac{R_{S,k}}{\cos \alpha} \quad (4.9)$$

The load-carrying capacity of axially loaded screws is the minimum design value of the axial withdrawal capacity of the threaded part of the screw, the head pull-through capacity of the screw and the tensile capacity of the screw according to Annex 2.

In order to limit the deformation of the screw head for thermal insulation material with thickness over 220 mm or with compressive strength below 0.12 N/mm<sup>2</sup>, respectively, the axial withdrawal capacity of the screws shall be reduced by the factors  $k_1$  and  $k_2$ :

$$F_{ax,\alpha,Rd} = \min \left\{ \frac{f_{ax,d} \cdot d \cdot l_{ef} \cdot k_1 \cdot k_2}{1.2 \cdot \cos^2 \alpha + \sin^2 \alpha} \cdot \left( \frac{\rho_k}{350} \right)^{0.8}; f_{head,d} \cdot d_h^2 \cdot \left( \frac{\rho_k}{350} \right)^{0.8}; \frac{f_{tens,k}}{\gamma_{M2}} \right\} \quad (4.10)$$

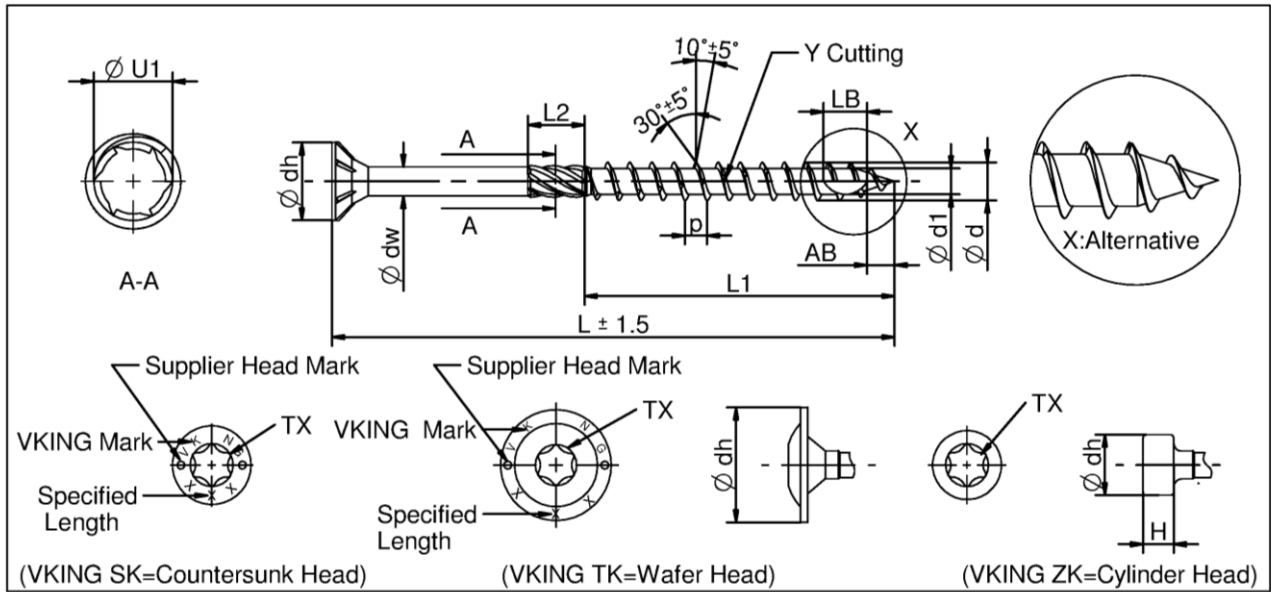
where:

- $f_{ax,d}$  design value of the axial withdrawal parameter of the threaded part of the screw [N/mm<sup>2</sup>]
- $d$  outer thread diameter of the screw [mm]
- $l_{ef}$  penetration length of the threaded part of the screw in the rafter [mm],  $l_{ef} \geq 40$  mm
- $\rho_k$  characteristic density of the wood-based member [kg/m<sup>3</sup>], for LVL the assumed characteristic density shall not exceed 500 kg/m<sup>3</sup>
- $\alpha$  angle  $\alpha$  between screw axis and grain direction,  $30^\circ \leq \alpha \leq 90^\circ$
- $f_{head,d}$  design value of the head pull-through parameter of the screw [N/mm<sup>2</sup>]
- $d_h$  head diameter of the screw [mm]
- $f_{tens,k}$  characteristic tensile capacity of the screw according to Annex 2 [N]
- $\gamma_{M2}$  partial factor according to EN 1993-1-1 in conjunction with the particular national annex
- $k_1$   $\min \{1; 220/t_{HI}\}$
- $k_2$   $\min \{1; \sigma_{10\%}/0.12\}$
- $t_{HI}$  thickness of the thermal insulation material [mm]
- $\sigma_{10\%}$  compressive stress of the thermal insulation material under 10 % deformation [N/mm<sup>2</sup>]

If equation (4.10) is fulfilled, the deflection of the battens does not need to be considered when designing the load-carrying capacity of the screws.

VKING screws	Annex 4
Fastening of thermal insulation material on top of rafters	

English translation prepared by DIBt

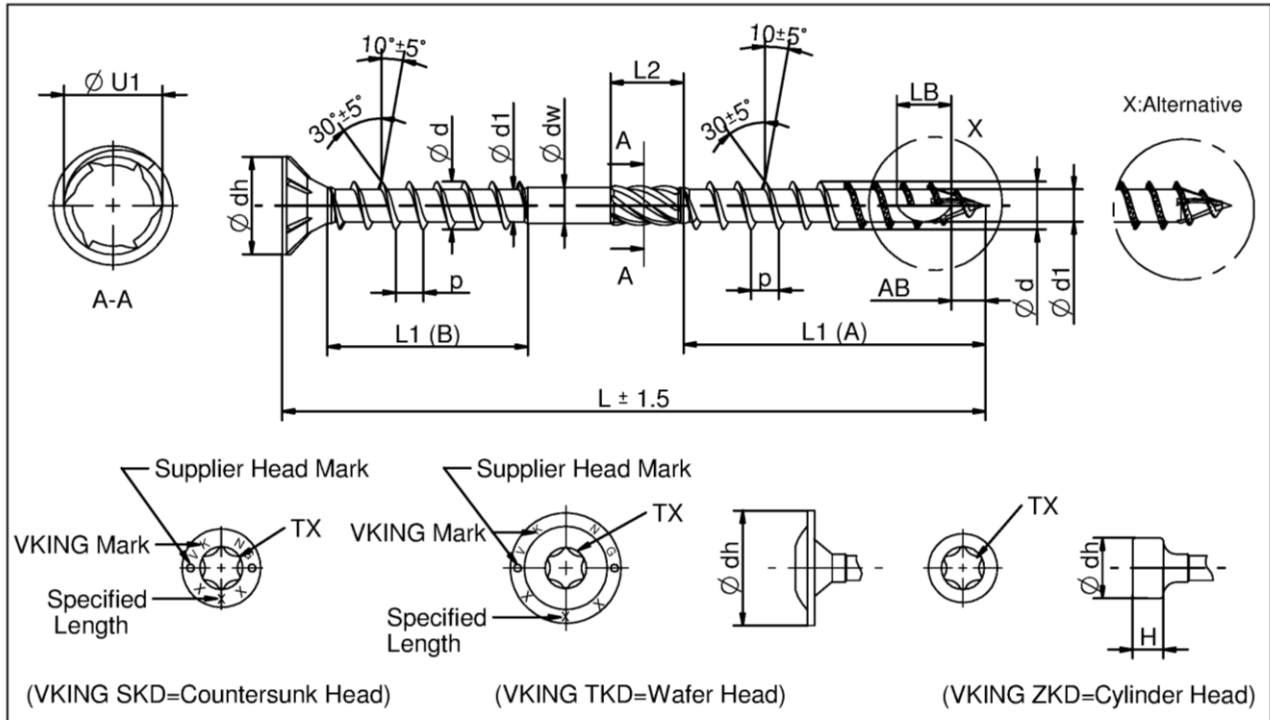


Nominal Diameter	Ø 6.0		Ø 8.0		Ø 10.0		Ø 12.0	
Ødh (Countersunk Head)	Upper Tol.	12.0 +0	15.0 +0	18.5 +0	21.5 +0	Lower Tol.	-1.0	-1.0
Ødh (Wafer Head)	Upper Tol.	15.0 +1.0	22.0 +1.0	25.0 +1.0	29.0 +1.0	Lower Tol.	-1.0	-1.0
Ødh (Cylinder Head)	Upper Tol.	8.0 +0	11.0 +0	13.0 +0	15.0 +0	Lower Tol.	-1.0	-1.0
H (Cylinder Head)	Upper Tol.	5.0 +0.5	6.0 +0.5	7.0 +0.5	8.0 +0.5	Lower Tol.	-0.5	-0.5
Ødw	Upper Tol.	4.25 +0.05	5.8 +0.05	7.0 +0.05	8.0 +0.05	Lower Tol.	-0.05	-0.05
Ød	Upper Tol.	6.0 +0.2	8.0 +0.2	10.0 +0.3	12.0 +0.3	Lower Tol.	-0.2	-0.3
Ød1	Upper Tol.	4.0 +0.2	5.2 +0.25	6.2 +0.3	7.0 +0.3	Lower Tol.	-0.2	-0.3
ØU1	Upper Tol.	5.1 +0.3	7.0 +0.3	8.5 +0.3	8.8 +0.3	Lower Tol.	-0.3	-0.3
LB	Upper Tol.	17.0 +3.0	18.0 +3.0	19.0 +3.0	20.0 +3.0	Lower Tol.	-3.0	-3.0
AB	Upper Tol.	4.0 +2.0	6.0 +2.0	7.0 +2.0	8.0 +2.0	Lower Tol.	-2.0	-2.0
p ±10%	4.5		5.2		5.6		6.0	
TX	T30		T40		T50		T50	
L	L1	L2	L1	L2	L1	L2	L1	L2
40 mm	32±1.5		32±1.5					
50 mm	42±1.5		42±1.5					
60 ~ 70 mm	52±1.5		52±1.5					
80 ~ 120 mm	52±1.5	12±1.5	52±1.5	12±1.5	52±1.5	12±1.5		
130 ~ 200 mm	75±1.5	12±1.5	80±1.5	12±1.5	80±1.5	12±1.5	80±1.5	12±1.5
220 ~ 300 mm	75±1.5	12±1.5	100±1.5	12±1.5	100±1.5	12±1.5	100±1.5	12±1.5
320 ~ 400 mm			100±1.5	12±1.5	100±1.5	12±1.5	100±1.5	12±1.5
420 ~ 500 mm			100±1.5	12±1.5	100±1.5	12±1.5	120±1.5	12±1.5
520 ~ 600 mm			100±1.5	12±1.5	100±1.5	12±1.5	120±1.5	12±1.5

VKING screws

VKING screw

Annex 5



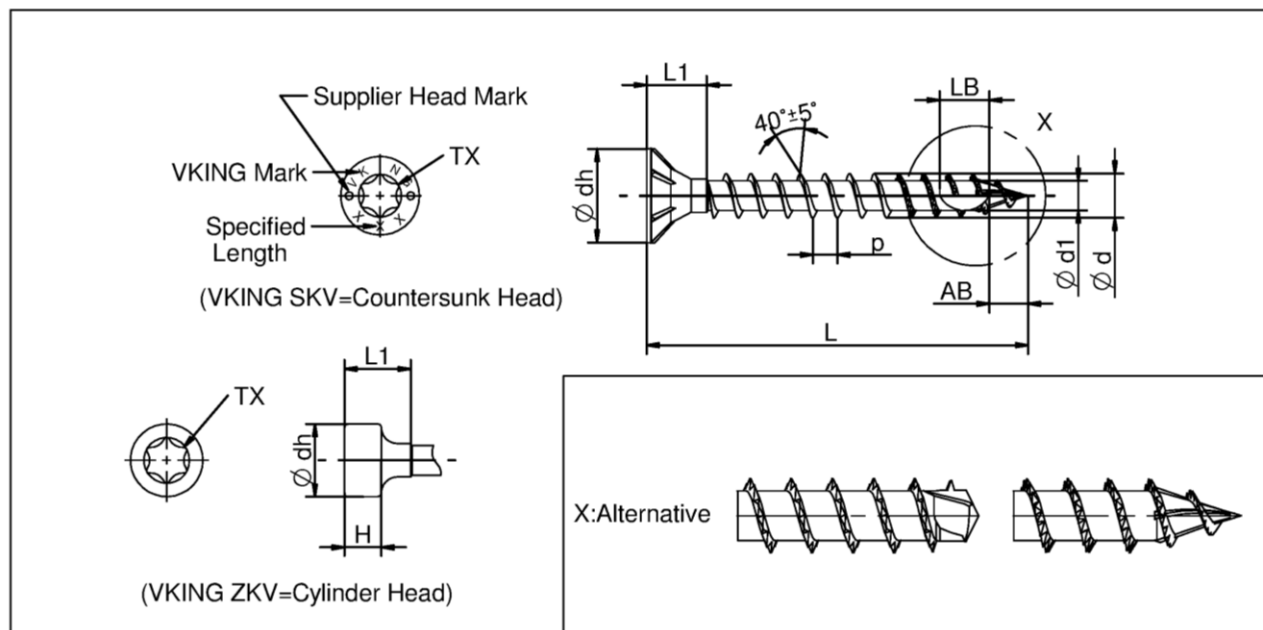
Nominal Diameter	$\phi$ 6.0			$\phi$ 8.0			$\phi$ 10.0		
$\phi dh$ (Countersunk Head)	Upper Tol.	12.0	+0	15.0	+0	18.5	+0		
	Lower Tol.		-1.0		-1.0		-1.0		
$\phi dh$ (Wafer Head)	Upper Tol.	15.0	+1.0	22.0	+1.0	25.0	+1.0		
	Lower Tol.		-1.0		-1.0		-1.0		
$\phi dh$ (Cylinder Head)	Upper Tol.	8.0	+0	11.0	+0	13.0	+0		
	Lower Tol.		-1.0		-1.0		-1.0		
H (Cylinder Head)	Upper Tol.	5.0	+0.5	6.0	+0.5	7.0	+0.5		
	Lower Tol.		-0.5		-0.5		-0.5		
$\phi dw$	Upper Tol.	4.25	+0.05	5.8	+0.05	7.0	+0.05		
	Lower Tol.		-0.05		-0.05		-0.05		
$\phi d$	Upper Tol.	6.0	+0.2	8.0	+0.2	10.0	+0.3		
	Lower Tol.		-0.2		-0.2		-0.3		
$\phi d1$	Upper Tol.	4.0	+0.2	5.2	+0.25	6.2	+0.3		
	Lower Tol.		-0.2		-0.25		-0.3		
$\phi U1$	Upper Tol.	5.1	+0.3	7.0	+0.3	8.5	+0.3		
	Lower Tol.		-0.3		-0.3		-0.3		
LB	Upper Tol.	17.0	+3.0	18.0	+3.0	19.0	+3.0		
	Lower Tol.		-3.0		-3.0		-3.0		
AB	Upper Tol.	4.0	+0.2	6.0	+0.2	7.0	+0.2		
	Lower Tol.		-0.2		-0.2		-0.2		
$p \pm 10\%$	4.5			5.2			5.6		
TX	T30			T40			T50		
L	L1 (A)	L1 (B)	L2	L1 (A)	L1 (B)	L2	L1 (A)	L1 (B)	L2
165 ~ 200 mm	75 $\pm$ 1.5	60 $\pm$ 1.5	12 $\pm$ 1.5	80 $\pm$ 1.5	60 $\pm$ 1.5	12 $\pm$ 1.5	80 $\pm$ 1.5	60 $\pm$ 1.5	12 $\pm$ 1.5
201 ~ 300 mm	75 $\pm$ 1.5	60 $\pm$ 1.5	12 $\pm$ 1.5	100 $\pm$ 1.5	60 $\pm$ 1.5	12 $\pm$ 1.5	100 $\pm$ 1.5	60 $\pm$ 1.5	12 $\pm$ 1.5
301 ~ 400 mm				100 $\pm$ 1.5	60 $\pm$ 1.5	12 $\pm$ 1.5	100 $\pm$ 1.5	60 $\pm$ 1.5	12 $\pm$ 1.5
401 ~ 500 mm				100 $\pm$ 1.5	60 $\pm$ 1.5	12 $\pm$ 1.5	100 $\pm$ 1.5	60 $\pm$ 1.5	12 $\pm$ 1.5
501 ~ 600 mm							100 $\pm$ 1.5	60 $\pm$ 1.5	12 $\pm$ 1.5

VKING screws

VKING-D screw

Annex 5

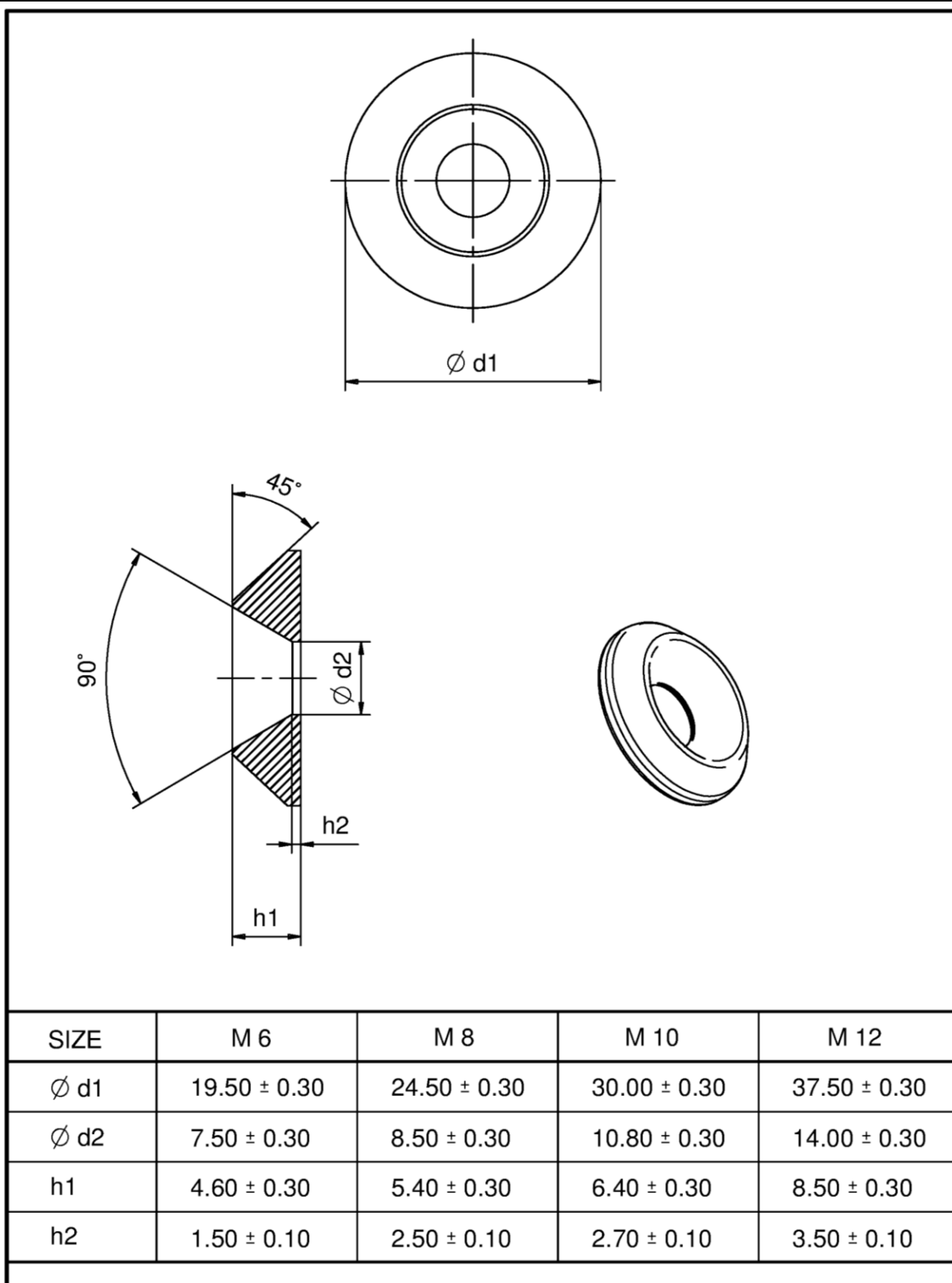
English translation prepared by DIBt



Nominal Diameter		∅ 6.0	∅ 8.0	∅ 10.0	∅ 12.0
∅dh (Countersunk Head)	Upper Tol.	12.0	15.0	18.5	21.5
	Lower Tol.	+0 -1.0	+0 -1.0	+0 -1.0	+0 -1.0
∅dh (Cylinder Head)	Upper Tol.	8.0	11.0	13.0	15.0
	Lower Tol.	+0 -1.0	+0 -1.0	+0 -1.0	+0 -1.0
H (Cylinder Head)	Upper Tol.	5.0	6.0	7.0	8.0
	Lower Tol.	+0.5 -0.5	+0.5 -0.5	+0.5 -0.5	+0.5 -0.5
∅d	Upper Tol.	6.0	8.0	10.0	12.0
	Lower Tol.	+0.2 -0.2	+0.2 -0.2	+0.3 -0.3	+0.3 -0.3
∅d1	Upper Tol.	4.0	5.2	6.2	7.0
	Lower Tol.	+0.2 -0.2	+0.25 -0.25	+0.3 -0.3	+0.3 -0.3
LB	Upper Tol.	17.0	18.0	19.0	20.0
	Lower Tol.	+3.0 -3.0	+3.0 -3.0	+3.0 -3.0	+3.0 -3.0
AB	Upper Tol.	4.0	6.0	7.0	8.0
	Lower Tol.	+2.0 -2.0	+2.0 -2.0	+2.0 -2.0	+2.0 -2.0
p ±10%		3.8	4.8	5.6	6.0
TX		T30	T40	T50	T50
L		L1	L1	L1	L1
100 ~ 200 mm		max. 12mm	max. 19mm	max. 20mm	max. 20.5mm
210 ~ 300 mm		max. 12mm	max. 19mm	max. 20mm	max. 20.5mm
310 ~ 400 mm			max. 19mm	max. 20mm	max. 20.5mm
410 ~ 500 mm			max. 19mm	max. 20mm	max. 20.5mm
510 ~ 600 mm				max. 20mm	max. 20.5mm
610 ~ 800 mm					max. 20.5mm
810 ~ 1000 mm					max. 20.5mm

electronic copy of the eta by dibt: eta-17/0609

VKING screws	Annex 5
VIKING-F screws	



electronic copy of the eta by dibt: eta-17/0609

VKING screws

VIKING Washer

Annex 5