

CERTIFICATE OF ACHIEVEMENT

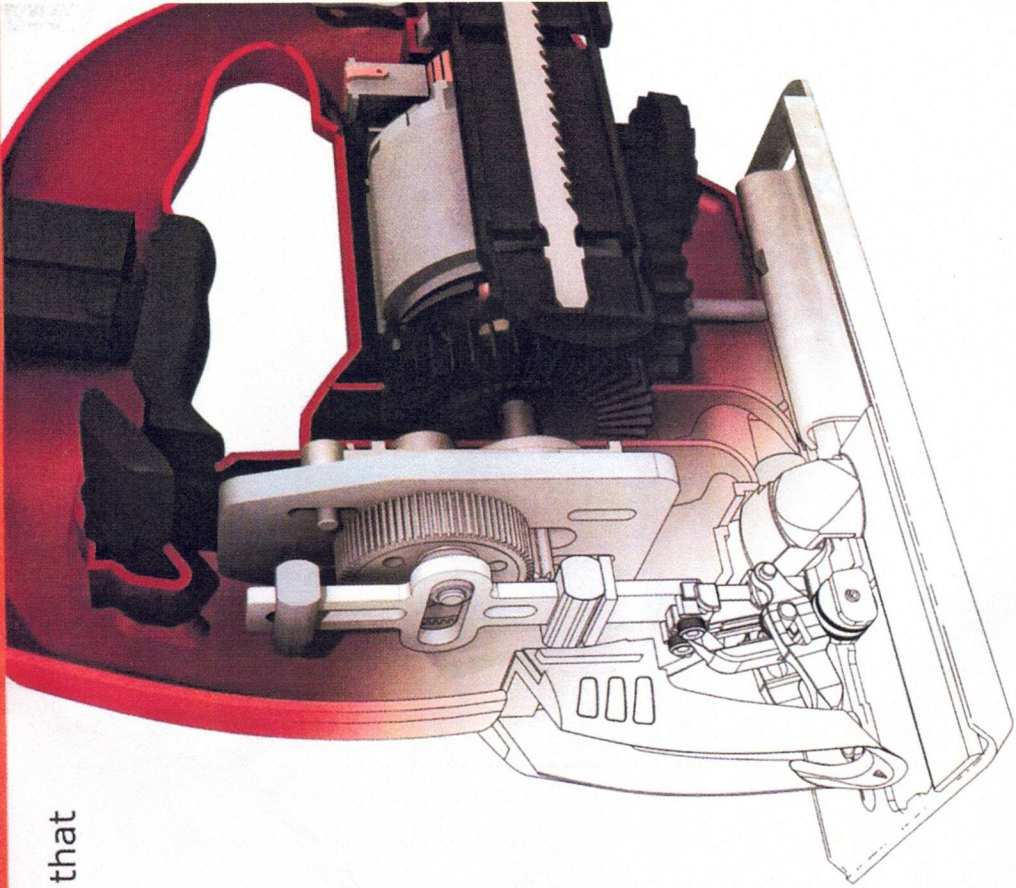
in keeping with our commitment to excellence, this certifies that

Shane Grant

has successfully completed the course requirements for

SolidWorks Essentials

32 hours completed Thursday, June 28, 2012



web: www.dasi-solutions.com
email: techsupport@dasi-solutions.com
phone: 888 327 2974

James Ortiz



James Ortiz
james@dasi-solutions.com

LET'S GO DESIGN

