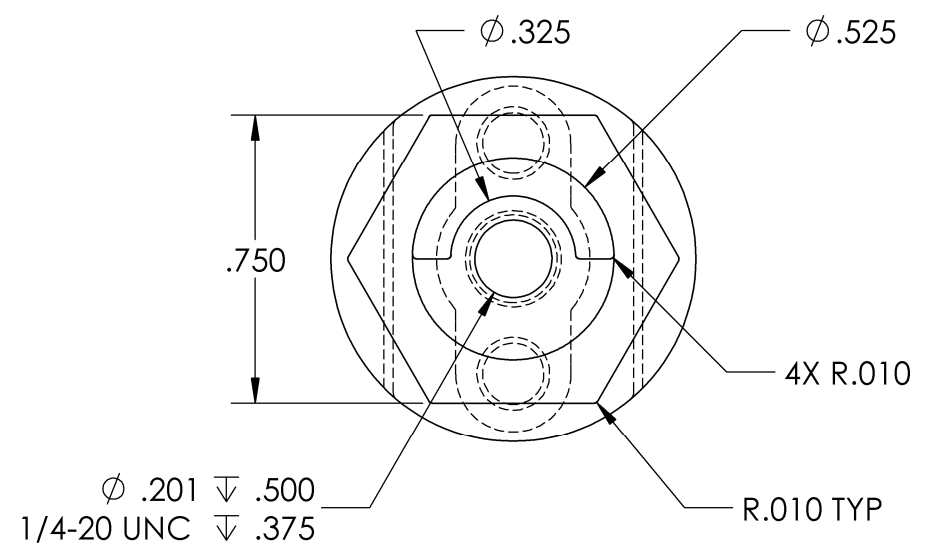
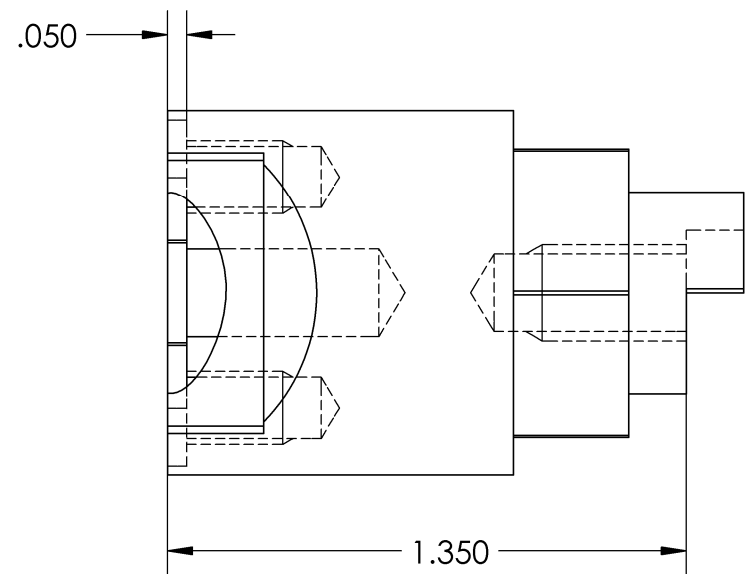
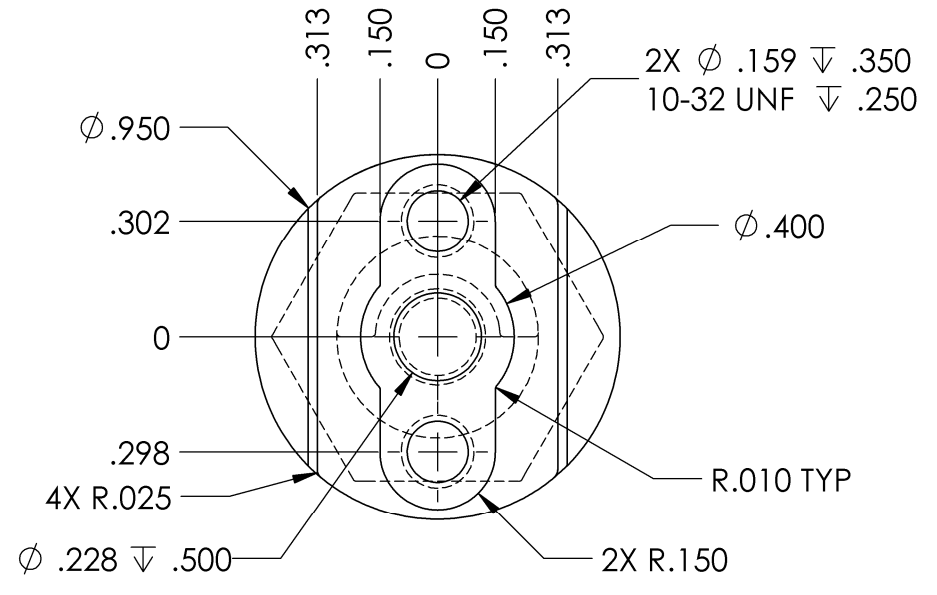
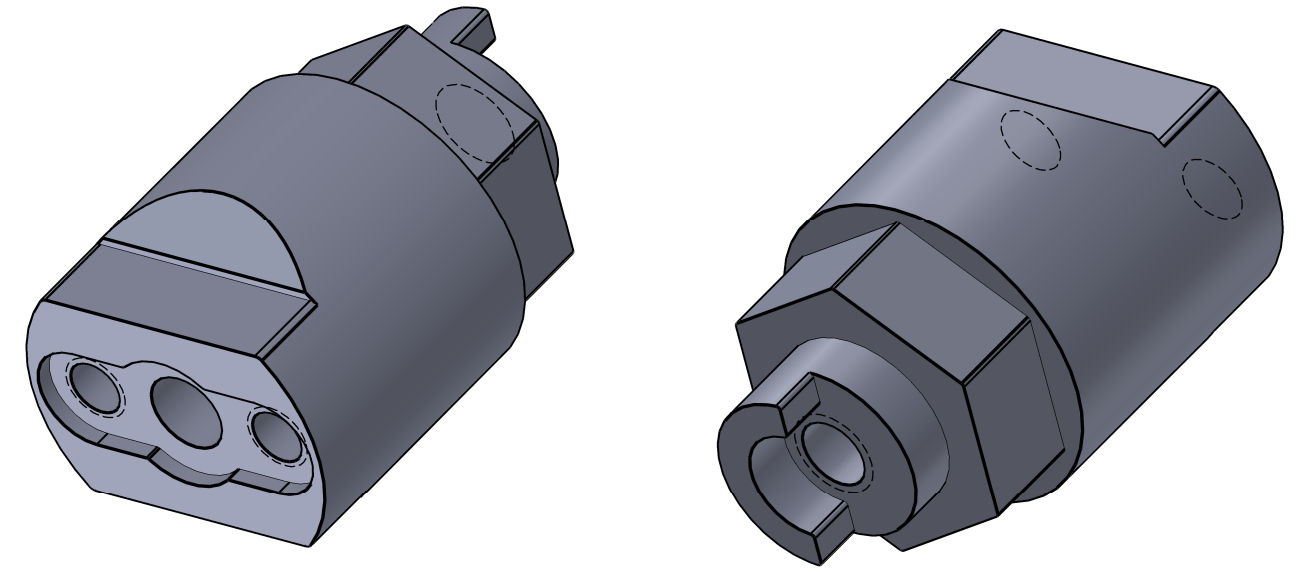
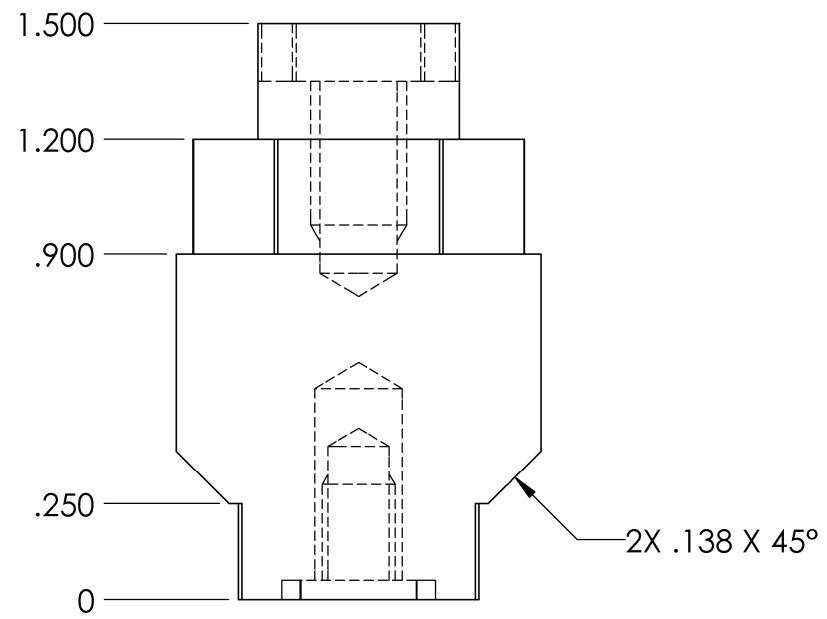


8 7 6 5 4 3 2 1



REV	DESCRIPTION	DATE	INITIALS
A	ORIGINAL DESIGN		
B			
C			
D			
E			
F			
G			
H			

UNLESS OTHERWISE SPECIFIED DIMENSIONS ARE IN INCHES. ALL DIMENSIONS APPLY AFTER ANY SURFACE TREATMENT (i.e. ANODIZE, PLATING)

DECIMAL
 X.X ±0.1
 X.XX ±0.01
 X.XXX ±0.005
 X.XXXX ±0.0005

ANGULAR ±0.5°
 SURFACE FINISH 64

CAD GENERATED DRAWING DO NOT MANUALLY UPDATE OR SCALE

SURFACE SHALL BE UNIFORM AND FREE OF BURRS, BLEMISHES, AND SCRATCHES.

MATERIAL:
 6061 ALUMINUM

PART FINISH:
 ANODIZE CLEAR

This document, including the information contained herein, is the property of MOSSCNC, and is considered confidential and proprietary information. It is delivered on the express condition that it not be used, disclosed, or reproduced in whole or in part, for any reason without prior written consent of MOSSCNC.

MOSSCNC NICHOLAS G. MOSS RAVENA, NY 12143			
DESCRIPTION: STOCK 1" ROUND CUT TO 1.6"			
SCALE: 2:1	SHEET: 1 OF 1	DRAWING NUMBER: TITAN-401	REV: A

DRAWN BY NICHOLAS G. MOSS

6 5 4 3 2 1