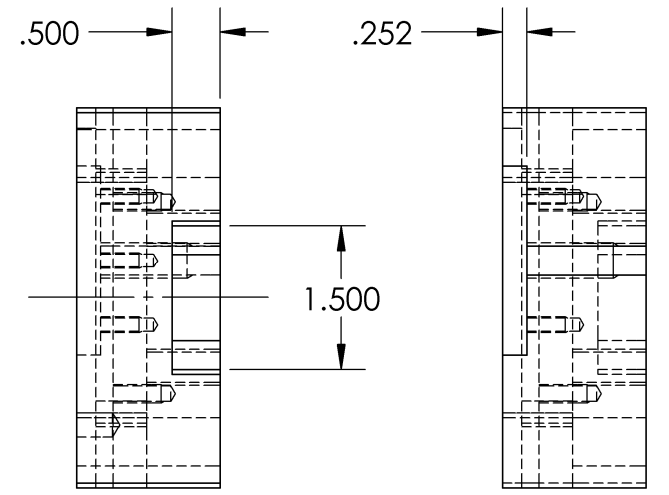
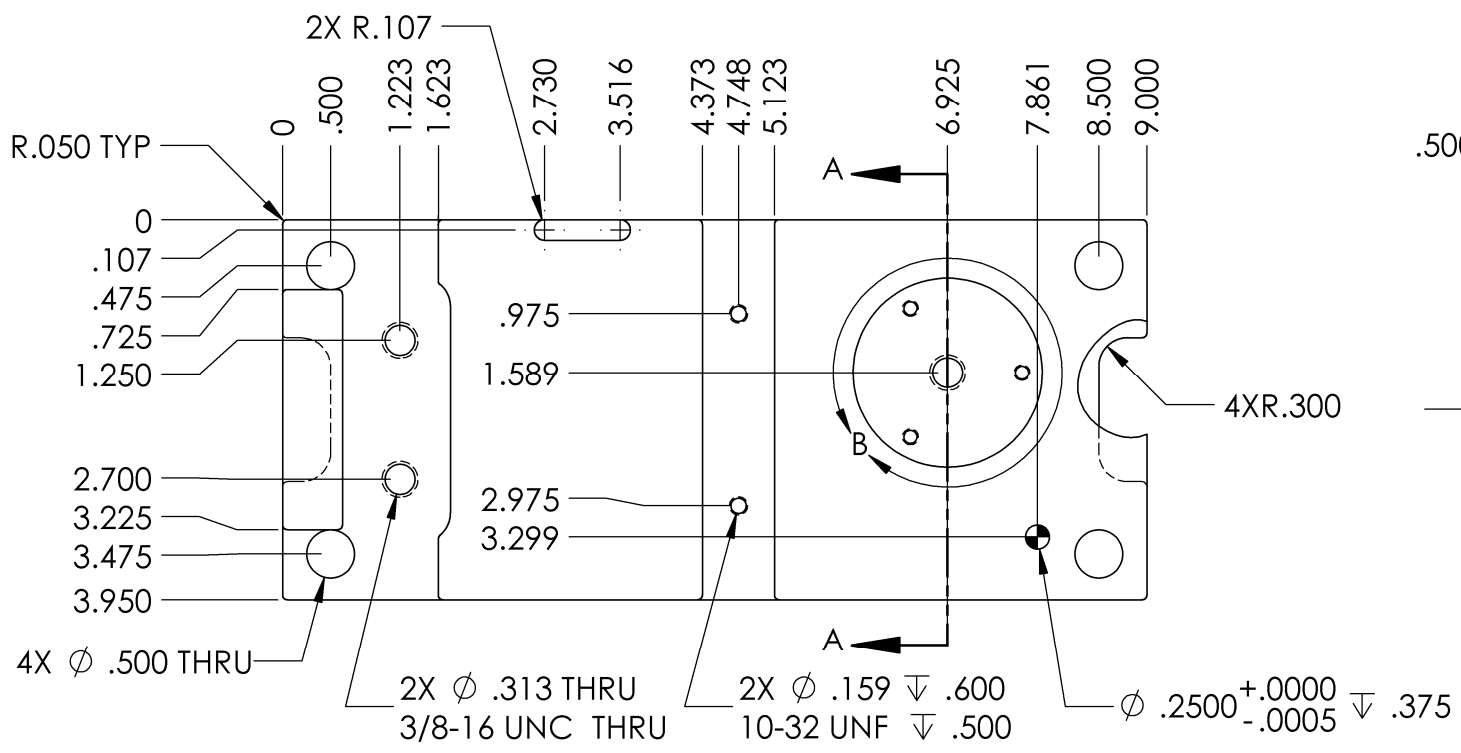
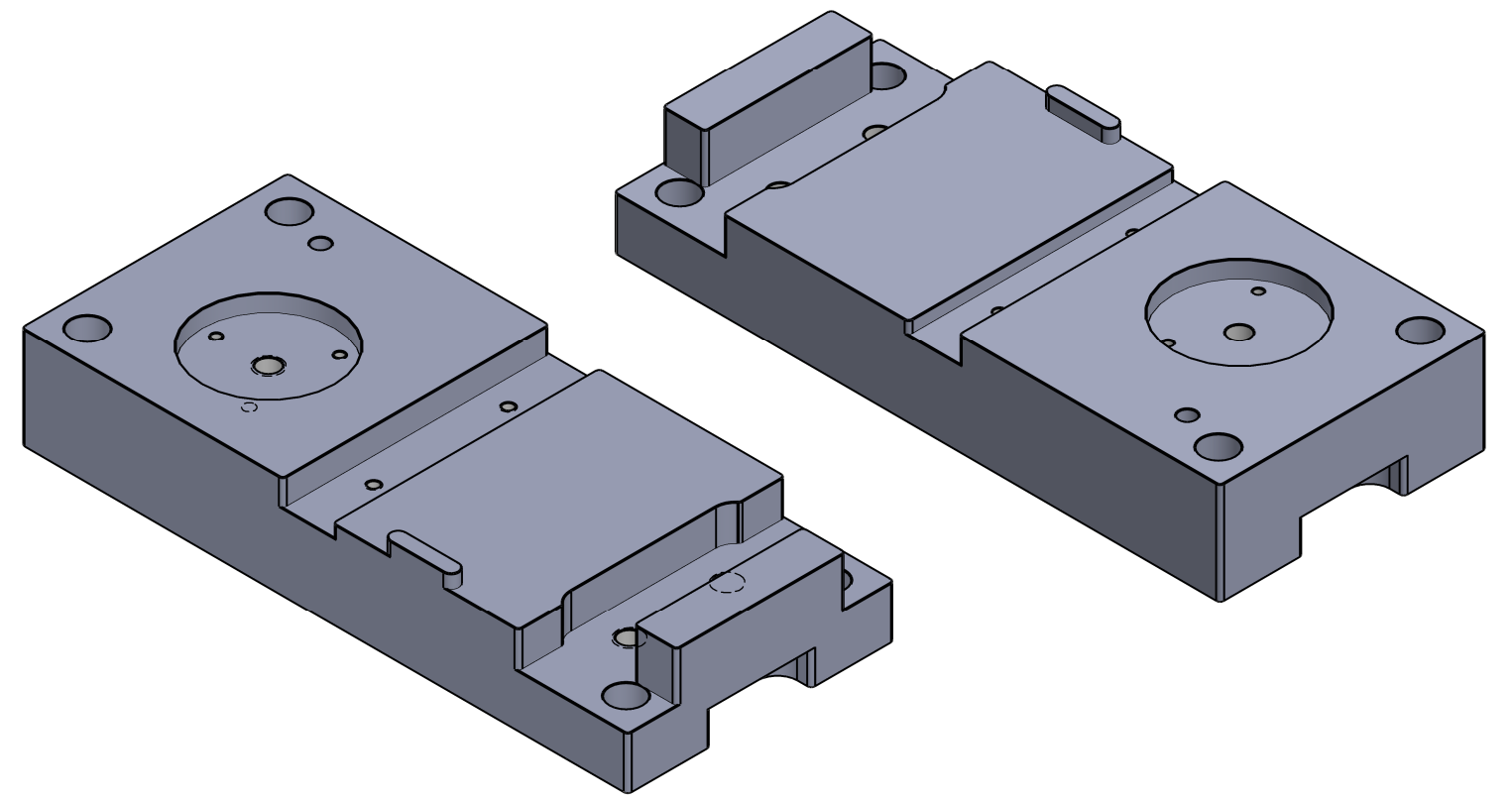
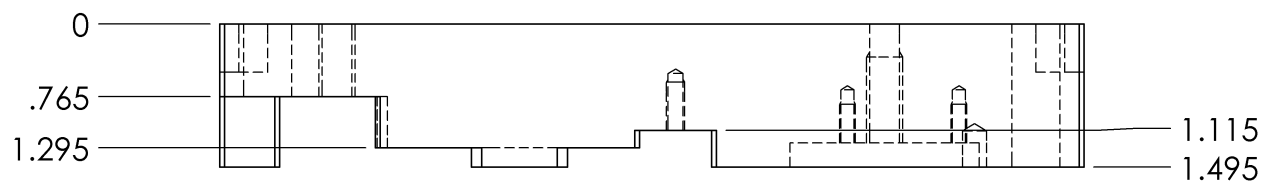
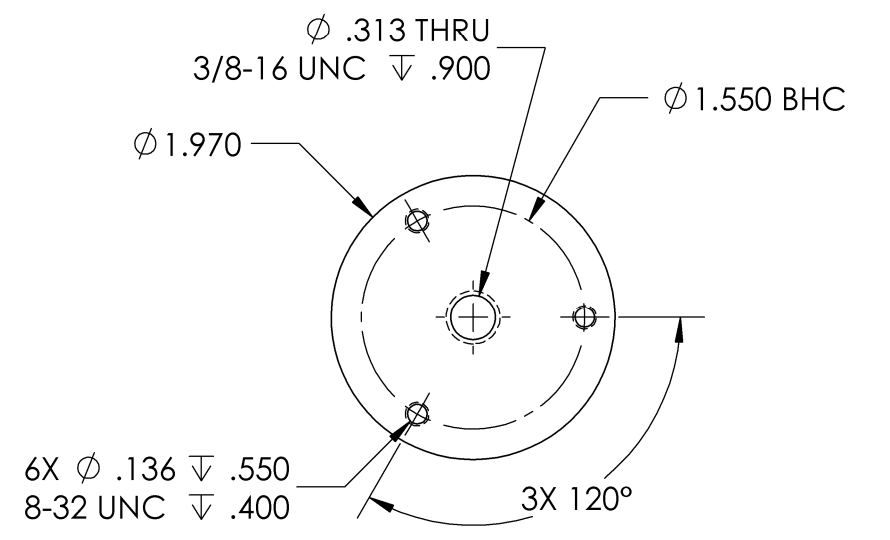


8 7 6 5 4 3 2 1



SECTION A-A



DETAIL B
SCALE 3 : 4

REV	DESCRIPTION	DATE	INITIALS
A	ORIGINAL DESIGN		
B			
C			
D			
E			
F			
G			
H			

UNLESS OTHERWISE SPECIFIED DIMENSIONS ARE IN INCHES. ALL DIMENSIONS APPLY AFTER ANY SURFACE TREATMENT (i.e. ANODIZE, PLATING)

DECIMAL
 XX ±0.1
 X.XX ±0.01
 X.XXX ±0.005
 X.XXXX ±0.0005

ANGULAR ±0.5°
 SURFACE FINISH 64

CAD GENERATED DRAWING
 DO NOT MANUALLY UPDATE OR SCALE

SURFACE SHALL BE UNIFORM AND FREE OF BURRS, BLEMISHES, AND SCRATCHES.

MATERIAL:
 6061-T6 ALUMINUM

PART FINISH:
 N/A

This document, including the information contained herein, is the property of MOSSCNC, and is considered confidential and proprietary information. It is delivered on the express condition that it not be used, disclosed, or reproduced in whole or in part, for any reason without prior written consent of MOSSCNC.

MOSSCNC NICHOLAS G. MOSS RAVENA, NY 12143			
DESCRIPTION: STOCK 1.75" X 4" CUT TO 9.1			
SCALE: 1:2	SHEET: 1 OF 1	DRAWING NUMBER: TITAN-402-HF	REV: A

DRAWN BY NICHOLAS G. MOSS

6 5 4 3 2 1