

8

7

6

5

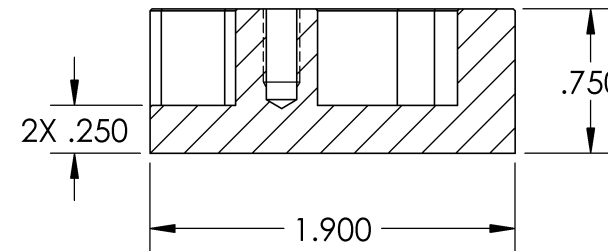
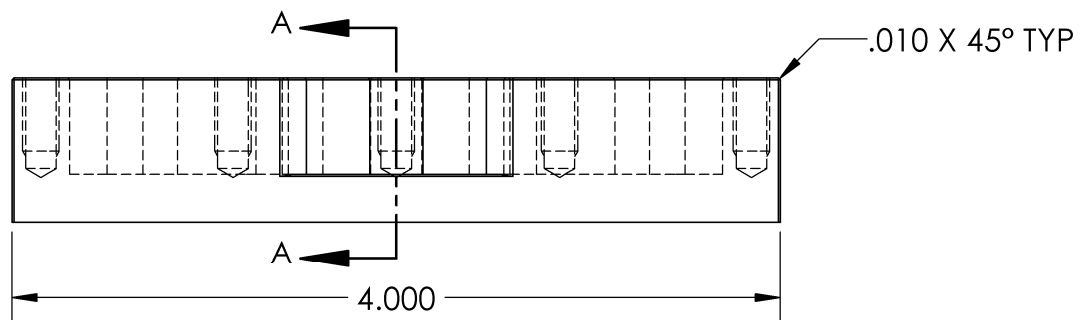
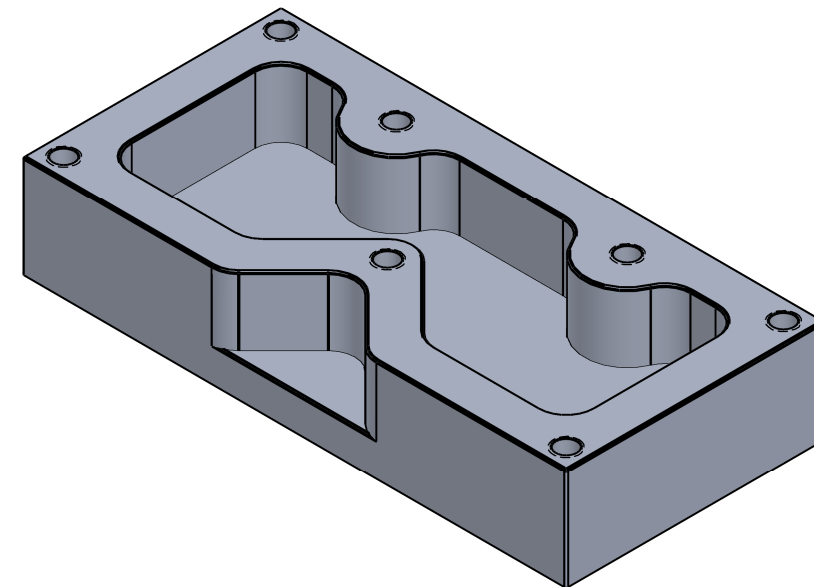
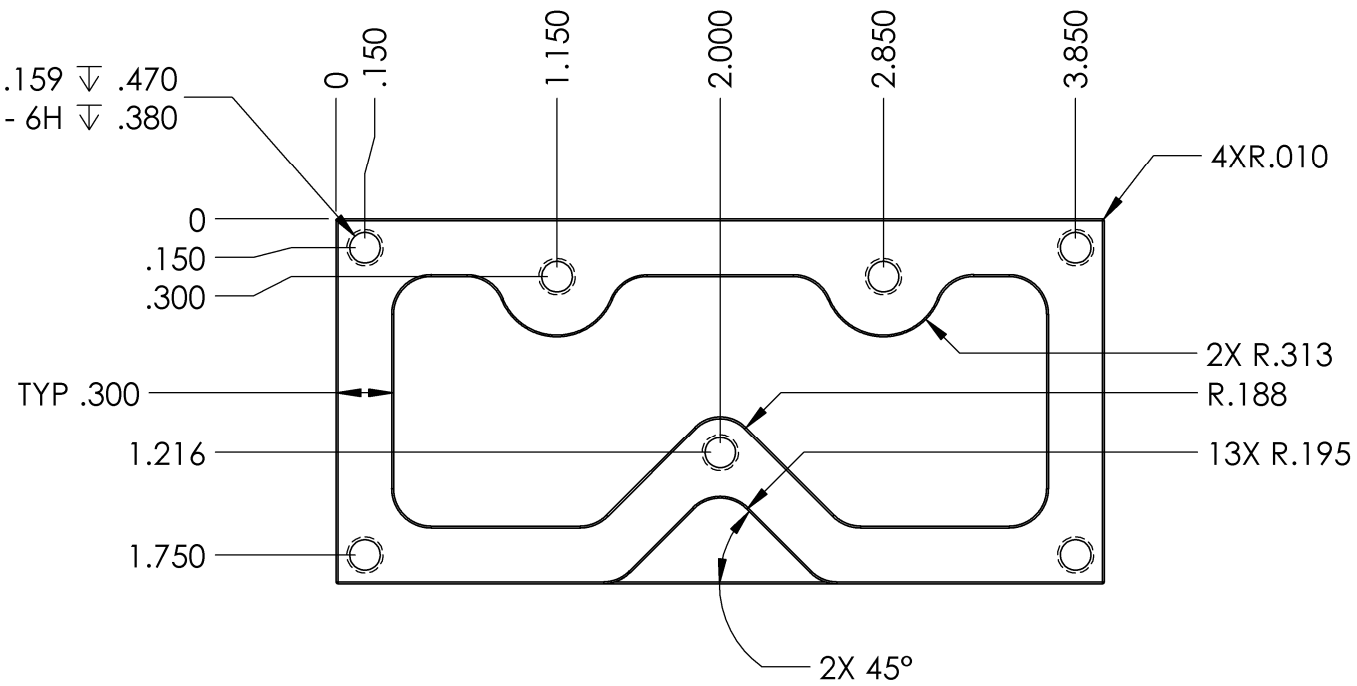
4

3

2

1

7X  $\phi$  .159  $\nabla$  .470  
10-32 UNF - 6H  $\nabla$  .380



SECTION A-A

REV	DESCRIPTION	DATE	INITIALS
A	ORIGINAL DESIGN - TITANS OF CNC BUILDING BLOCK SERIES	10/02/22	NGM
B			
C			
D			
E			
F			
G			
H			

UNLESS OTHERWISE SPECIFIED  
DIMENSIONS ARE IN INCHES.  
ALL DIMENSIONS APPLY AFTER  
ANY SURFACE TREATMENT  
(i.e. ANODIZE, PLATING)

DECIMAL  
X.X  $\pm$ 0.1  
X.XX  $\pm$ 0.01  
X.XXX  $\pm$ 0.005  
X.XXXX  $\pm$ 0.0005

ANGULAR  $\pm$ 0.5°  
SURFACE FINISH 64

CAD GENERATED DRAWING  
DO NOT MANUALLY  
UPDATE OR SCALE

SURFACE SHALL BE UNIFORM  
AND FREE OF BURRS,  
BLEMISHES, AND SCRATCHES.

MATERIAL:  
6061 ALUMINUM

PART FINISH:  
ANODIZE CLEAR

This document, including the information  
contained herein, is the property of MOSSCNC,  
and is considered confidential and proprietary  
information. It is delivered on the express  
condition that it not be used, disclosed, or  
reproduced in whole or in part, for any reason  
without prior written consent of MOSSCNC.

DESCRIPTION:  
STOCK 1"X 2" CUT TO 4.1"

SCALE:  
1:1

SHEET:  
1 OF 1

DRAWING NUMBER:  
TITAN-1M

REV:  
A

MOSSCNC  
NICHOLAS G. MOSS  
RAVENA, NY 12143

**DRAWN BY NICHOLAS G. MOSS**

6

5

4

3

2

1