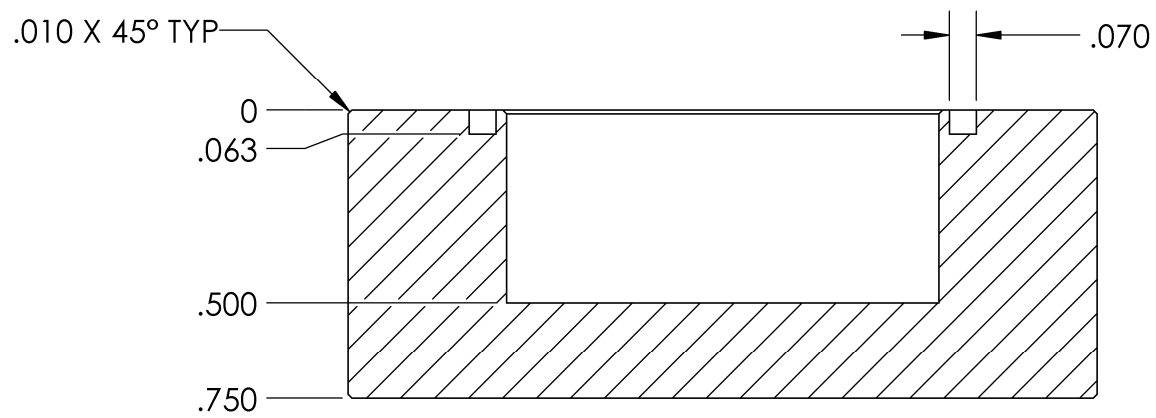
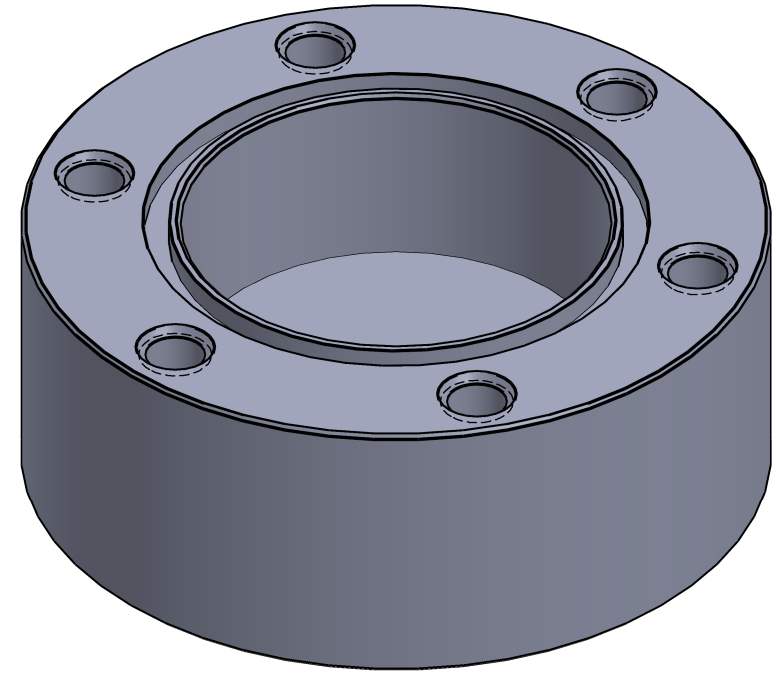
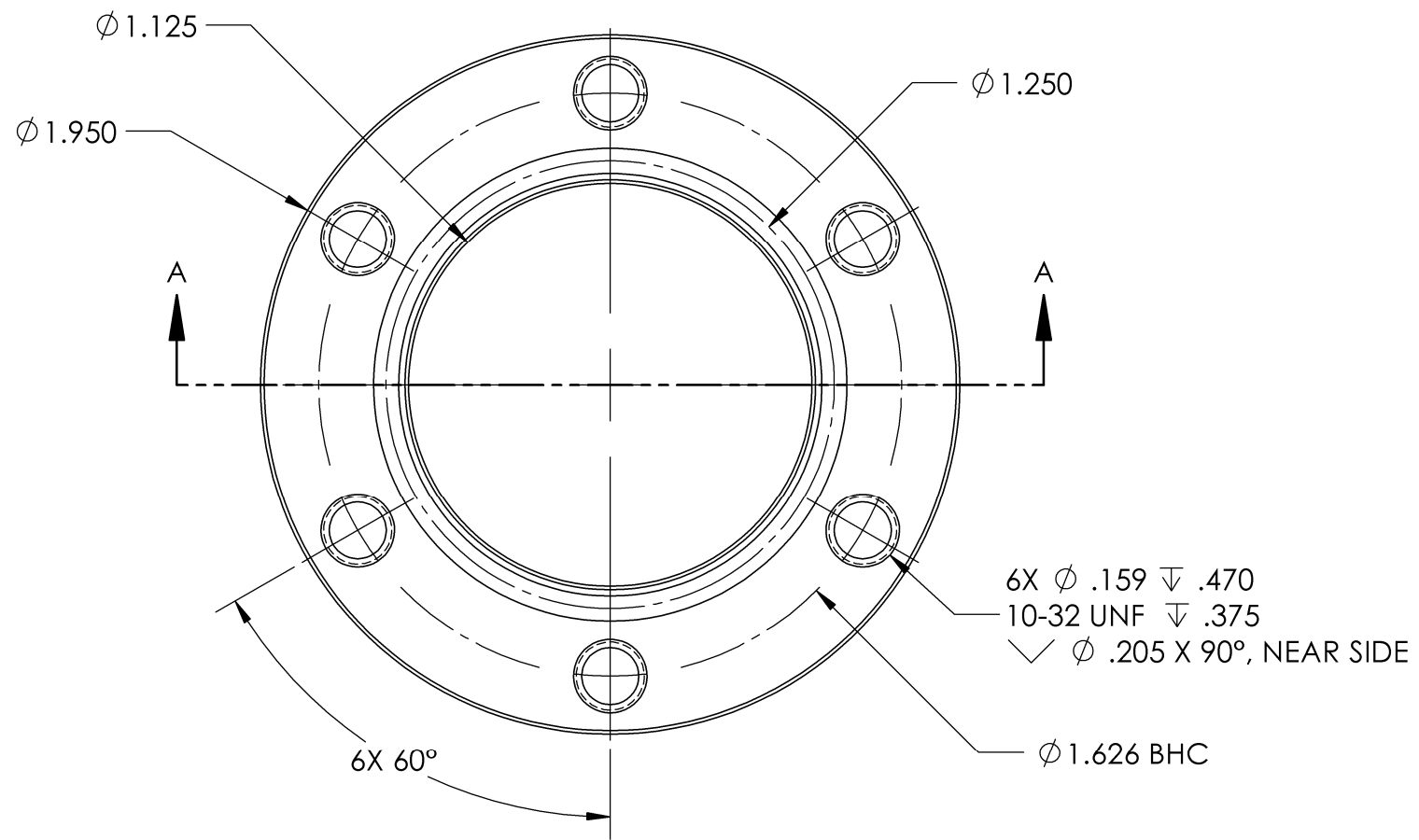


8 7 6 5 4 3 2 1



SECTION A-A

REV	DESCRIPTION	DATE	INITIALS
A	ORIGINAL DESIGN - TITANS OF CNC ACADEMY BUILDING BLOCK SERIES	10/02/22	NGM
B			
C			
D			
E			
F			
G			
H			

UNLESS OTHERWISE SPECIFIED
 DIMENSIONS ARE IN INCHES.
 ALL DIMENSIONS APPLY AFTER
 ANY SURFACE TREATMENT
 (i.e. ANODIZE, PLATING)
 DECIMAL
 XX ±0.1
 X.XX ±0.01
 X.XXX ±0.005
 X.XXXX ±0.0005
 ANGULAR ±0.5°
 SURFACE FINISH 64

CAD GENERATED DRAWING
 DO NOT MANUALLY
 UPDATE OR SCALE
 SURFACE SHALL BE UNIFORM
 AND FREE OF BURRS,
 BLEMISHES, AND SCRATCHES.
 MATERIAL:
 ALUMINUM 6061
 PART FINISH:
 ANODIZE CLEAR

This document, including the information
 contained herein, is the property of MOSSCNC,
 and is considered confidential and proprietary
 information. It is delivered on the express
 condition that it not be used, disclosed, or
 reproduced in whole or in part, for any reason
 without prior written consent of MOSSCNC.

MOSSCNC NICHOLAS G. MOSS RAVENA, NY 12143			
DESCRIPTION: STOCK 1 X 2" CUT TO 2.050"			
SCALE: 2:1	SHEET: 1 OF 1	DRAWING NUMBER: TITAN-3M	REV: A

DRAWN BY NICHOLAS G. MOSS

6 5 4 3 2 1