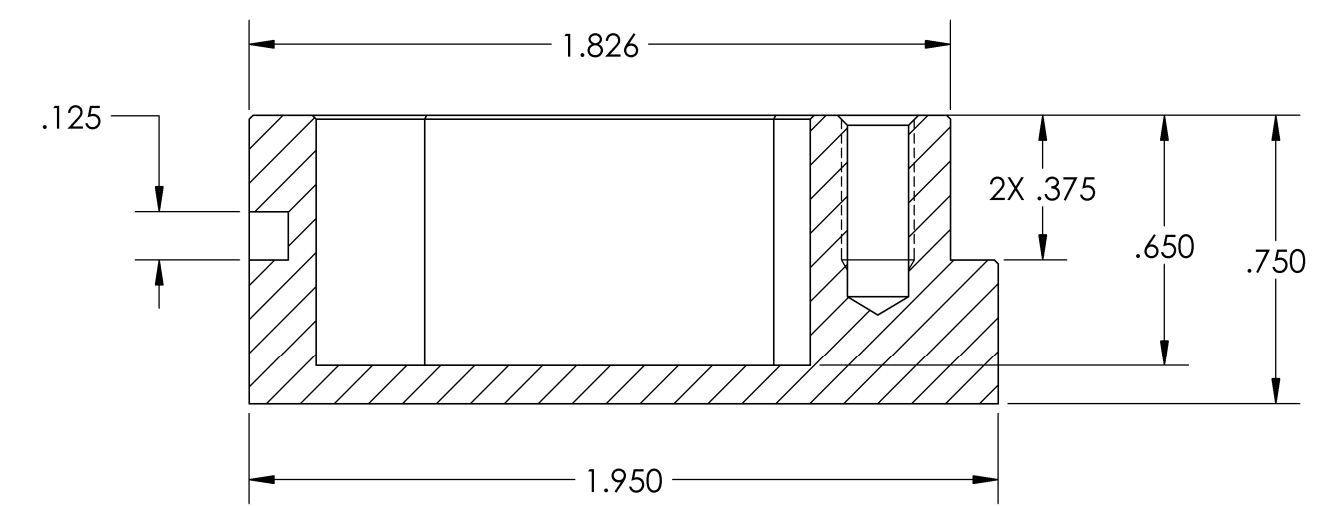
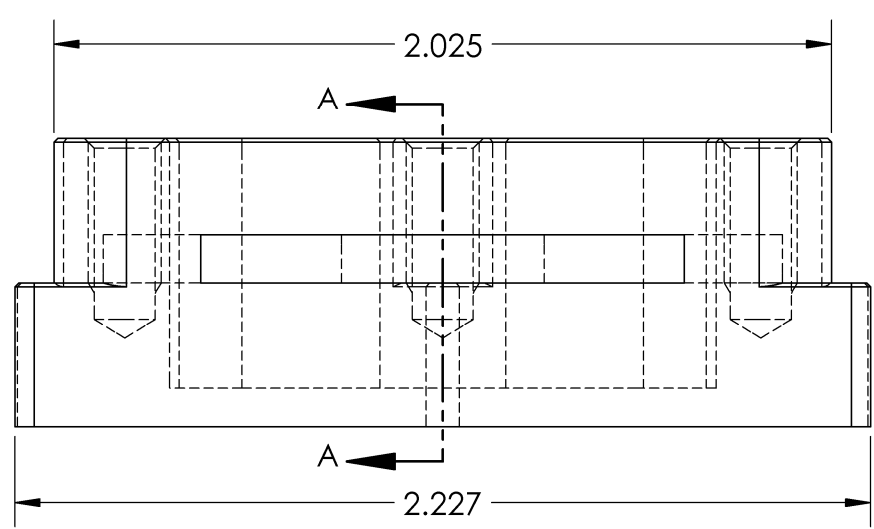
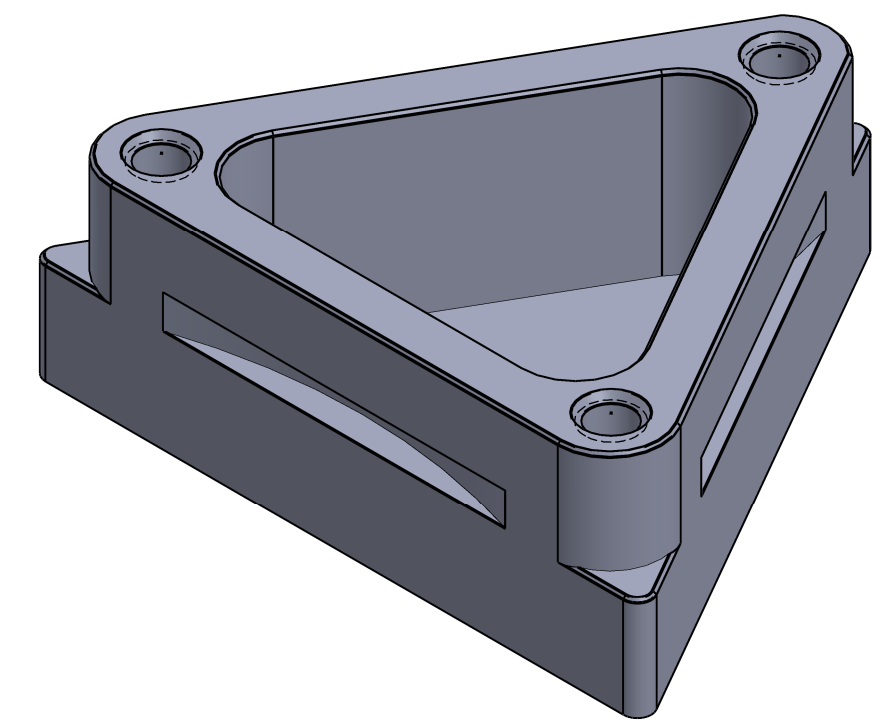
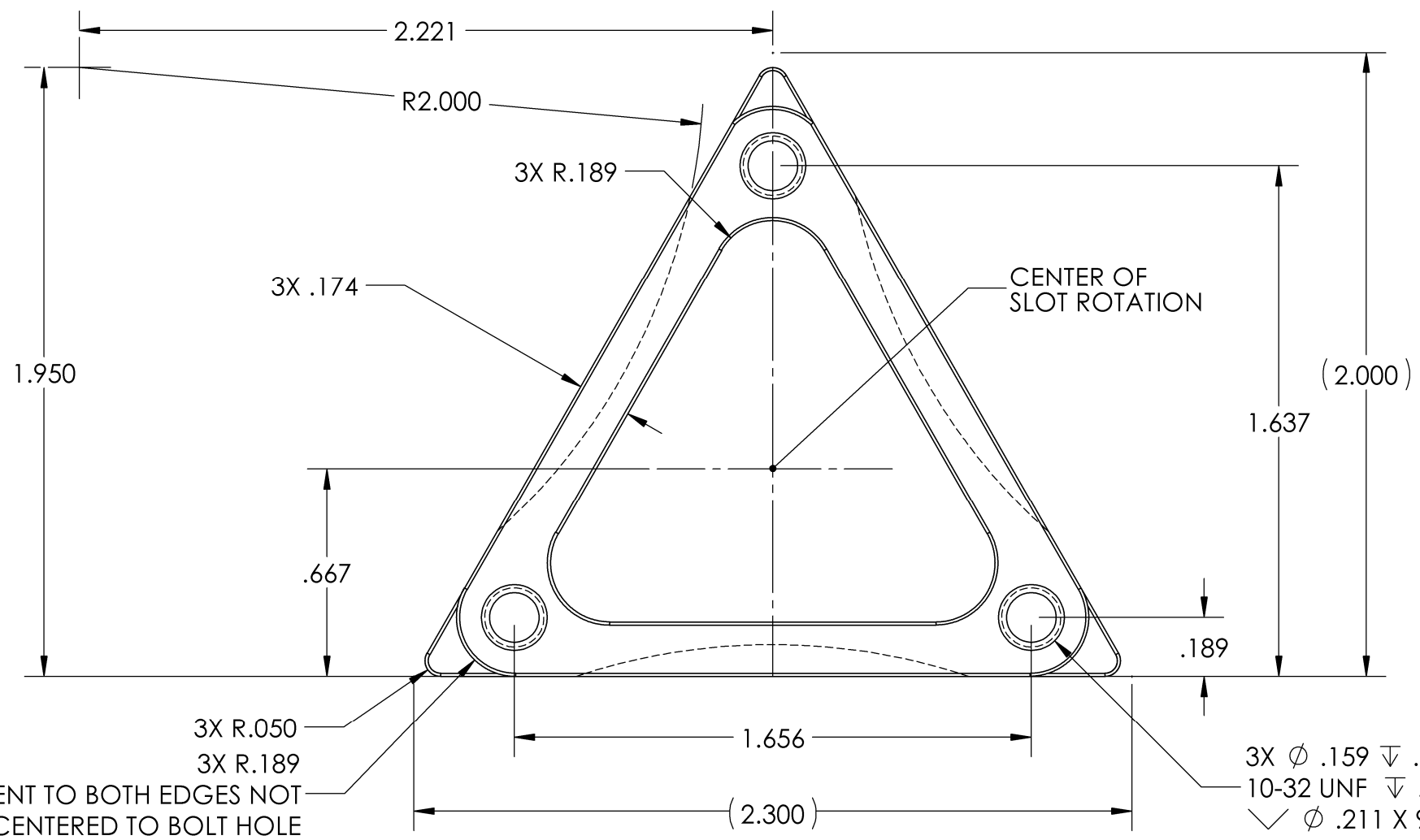


8 7 6 5 4 3 2 1



SECTION A-A

REV	DESCRIPTION	DATE	INITIALS	UNLESS OTHERWISE SPECIFIED DIMENSIONS ARE IN INCHES. ALL DIMENSIONS APPLY AFTER ANY SURFACE TREATMENT (i.e. ANODIZE, PLATING)	CAD GENERATED DRAWING DO NOT MANUALLY UPDATE OR SCALE	This document, including the information contained herein, is the property of MOSSCNC, and is considered confidential and proprietary information. It is delivered on the express condition that it not be used, disclosed, or reproduced in whole or in part, for any reason without prior written consent of MOSSCNC.	DESCRIPTION:
A	ORIGINAL DESIGN	11/5/22	NGM	DECIMAL XX ±0.1 X.XX ±0.01 X.XXX ±0.005 X.XXXX ±0.0005	SURFACE SHALL BE UNIFORM AND FREE OF BURRS, BLEMISHES, AND SCRATCHES.		STOCK 1" X 2" CUT TO 2.4"
B				ANGULAR ±0.5°	MATERIAL: ALUMINUM 6061		SCALE: 2:1
C				SURFACE FINISH 64	PART FINISH: ANODIZE CLEAR		SHEET: 1 OF 1
D							DRAWING NUMBER: TITAN-4M
E							REV: A
F							
G							
H							

DRAWN BY NICHOLAS G. MOSS

6 5 4 3 2 1