

8

7

6

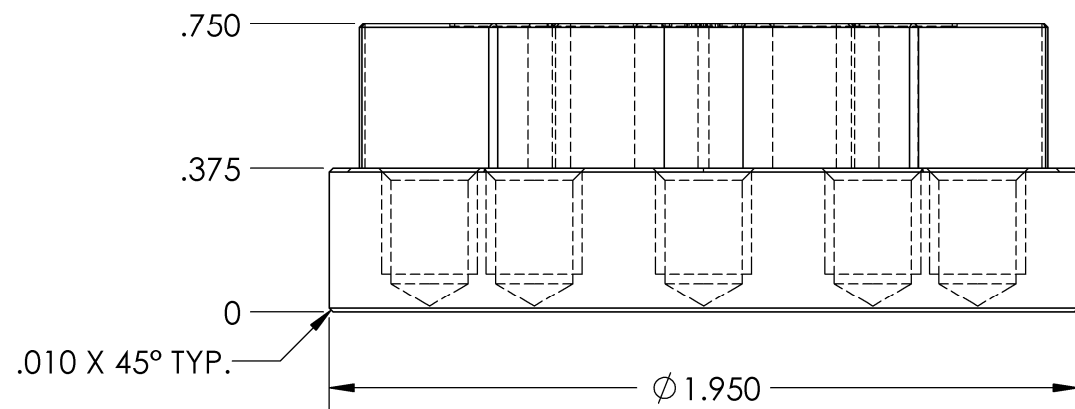
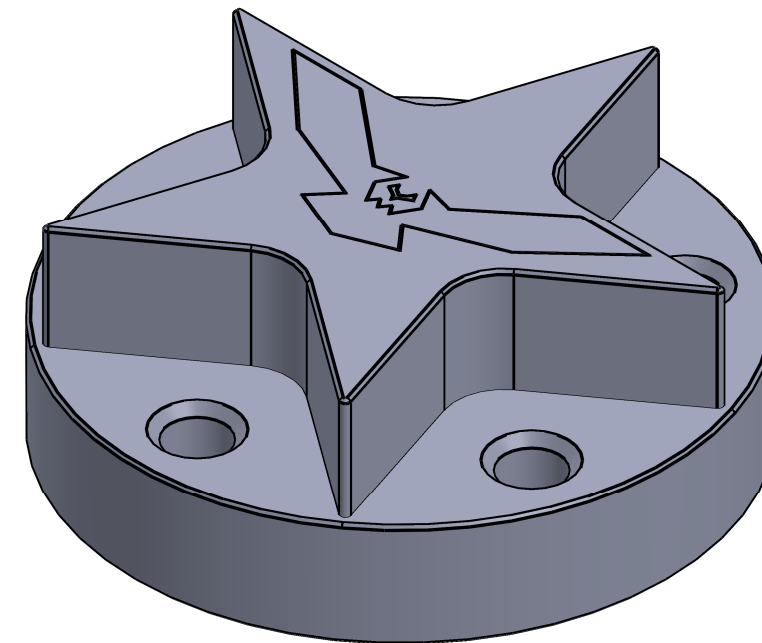
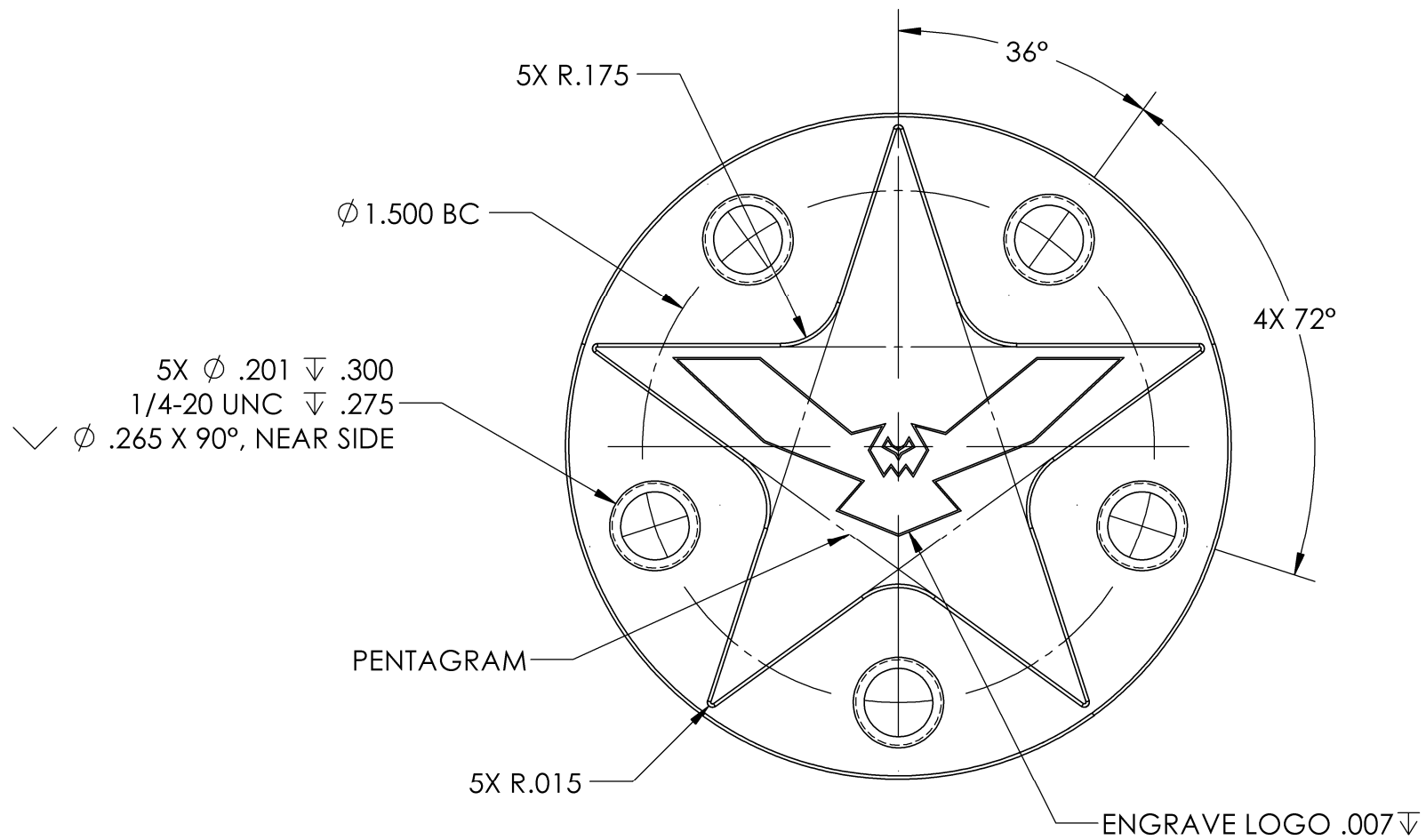
5

4

3

2

1



REV	DESCRIPTION	DATE	INITIALS
A	ORIGINAL DESIGN	11/5/22	NGM
B			
C			
D			
E			
F			
G			
H			

UNLESS OTHERWISE SPECIFIED  
 DIMENSIONS ARE IN INCHES.  
 ALL DIMENSIONS APPLY AFTER  
 ANY SURFACE TREATMENT  
 (i.e. ANODIZE, PLATING)

DECIMAL  
 XX ±0.1  
 X.XX ±0.01  
 X.XXX ±0.005  
 X.XXXX ±0.0005

ANGULAR ±0.5°  
 SURFACE FINISH 64

CAD GENERATED DRAWING  
 DO NOT MANUALLY  
 UPDATE OR SCALE

SURFACE SHALL BE UNIFORM  
 AND FREE OF BURRS,  
 BLEMISHES, AND SCRATCHES.

MATERIAL:  
**ALUMINUM 6061**

PART FINISH:  
**ANODIZE CLEAR**

This document, including the information  
 contained herein, is the property of MOSSCNC,  
 and is considered confidential and proprietary  
 information. It is delivered on the express  
 condition that it not be used, disclosed, or  
 reproduced in whole or in part, for any reason  
 without prior written consent of MOSSCNC.

DESCRIPTION: <b>STOCK 1" X 2" CUT TO 2"</b>			
SCALE: 2:1	SHEET: 1 OF 1	DRAWING NUMBER: <b>TITAN-5M</b>	REV: <b>A</b>

MOSSCNC  
 NICHOLAS G. MOSS  
 RAVENA, NY 12143

**DRAWN BY NICHOLAS G. MOSS**

6

5

4

3

2

1