

8

7

6

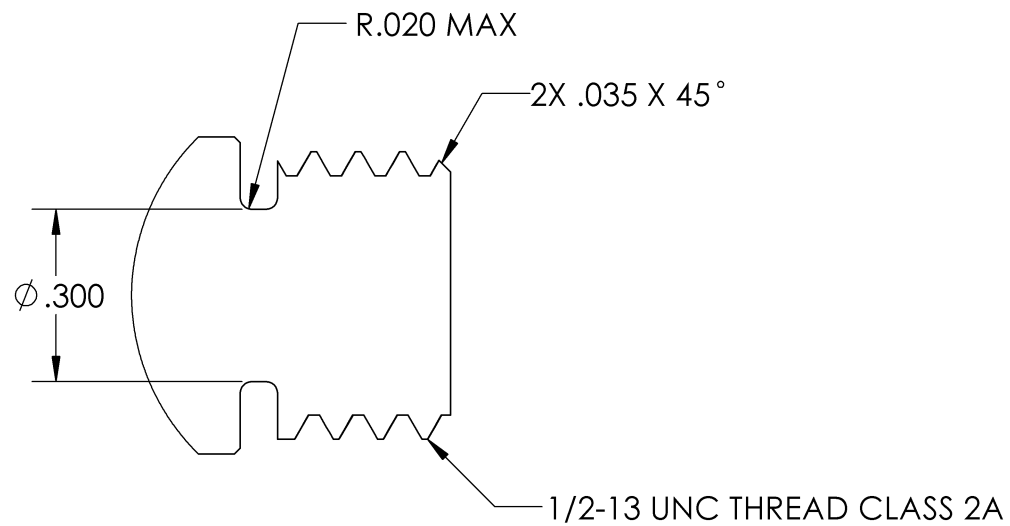
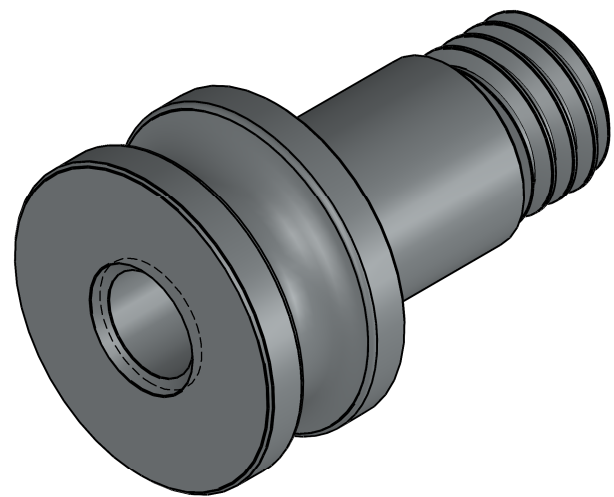
5

4

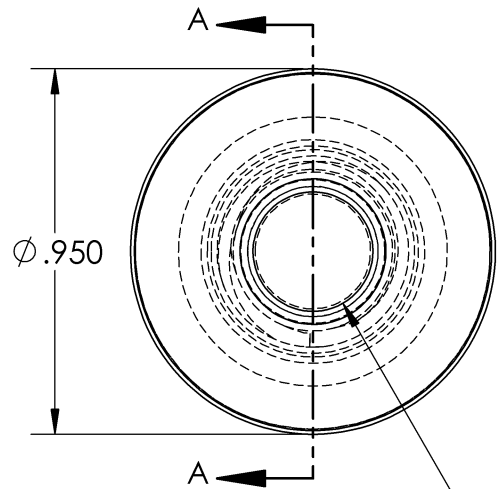
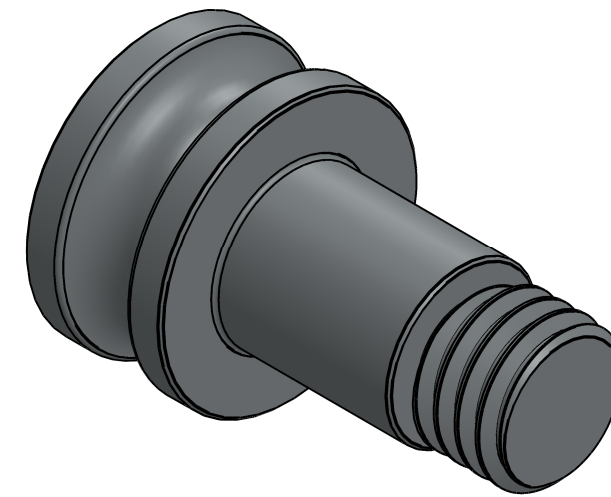
3

2

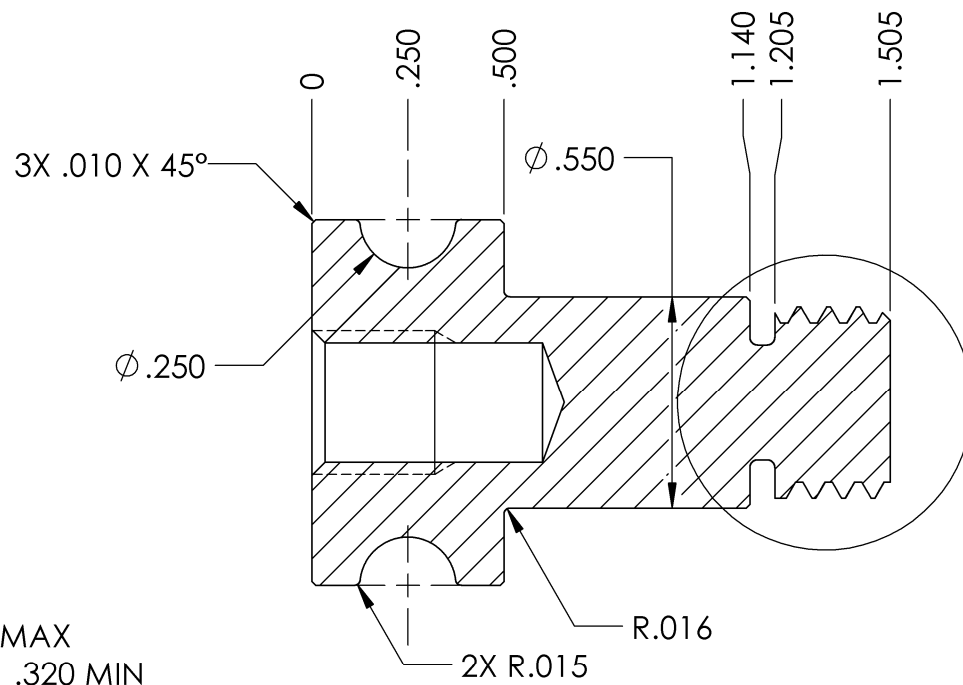
1



DETAIL B
SCALE 3 : 1



ϕ .313 ∇ .600 MAX
3/8-16 UNC ∇ .320 MIN
 \surd ϕ .380 X 90°, NEAR SIDE



SECTION A-A

| REV | DESCRIPTION | DATE | INITIALS |
|-----|-----------------|---------|----------|
| A | ORIGINAL DESIGN | 11/6/22 | NGM |
| B | | | |
| C | | | |
| D | | | |
| E | | | |
| F | | | |
| G | | | |
| H | | | |

UNLESS OTHERWISE SPECIFIED
DIMENSIONS ARE IN INCHES.
ALL DIMENSIONS APPLY AFTER
ANY SURFACE TREATMENT
(i.e. ANODIZE, PLATING)

DECIMAL
XX ±0.1
X.XX ±0.01
X.XXX ±0.005
X.XXXX ±0.0005

ANGULAR ±0.5°
SURFACE FINISH 64

CAD GENERATED DRAWING
DO NOT MANUALLY
UPDATE OR SCALE

SURFACE SHALL BE UNIFORM
AND FREE OF BURRS,
BLEMISHES, AND SCRATCHES.

MATERIAL:
ALUMINUM 6061

PART FINISH:
ANODIZE CLEAR

This document, including the information
contained herein, is the property of MOSSCNC,
and is considered confidential and proprietary
information. It is delivered on the express
condition that it not be used, disclosed, or
reproduced in whole or in part, for any reason
without prior written consent of MOSSCNC.

| | | | |
|---|------------------|------------------------------|-----------|
| MOSSCNC NICHOLAS G. MOSS RAVENA, NY 12143 | | | |
| DESCRIPTION: STOCK 1" ROUND | | | |
| SCALE: 2:1 | SHEET: 1 OF 1 | DRAWING NUMBER: TITAN-85L | REV: A |

DRAWN BY NICHOLAS G. MOSS

6

5

4

3

2

1