

8

7

6

5

4

3

2

1

D

D

C

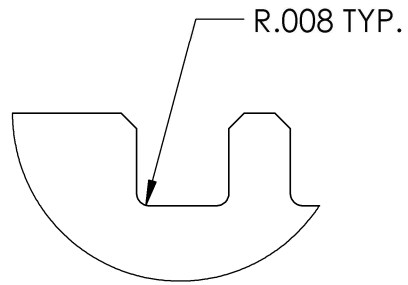
C

B

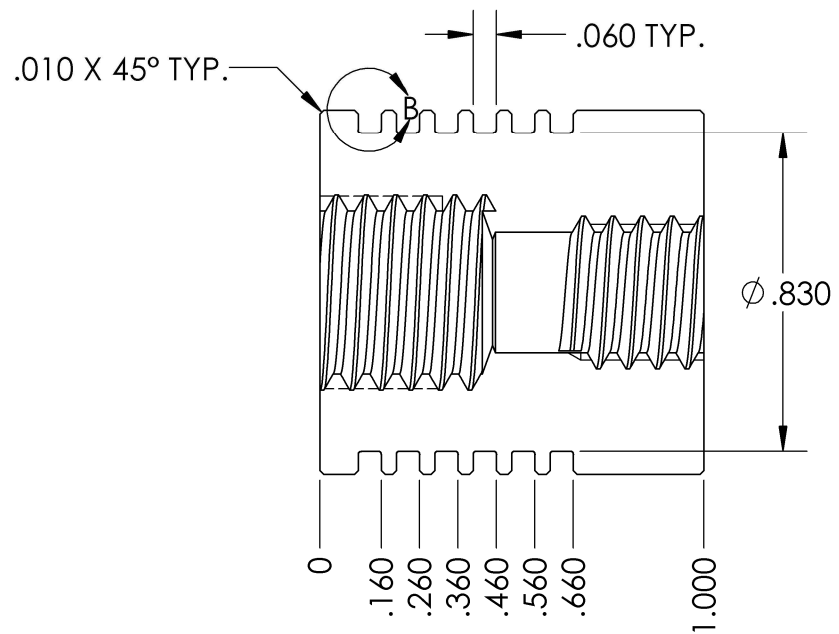
B

A

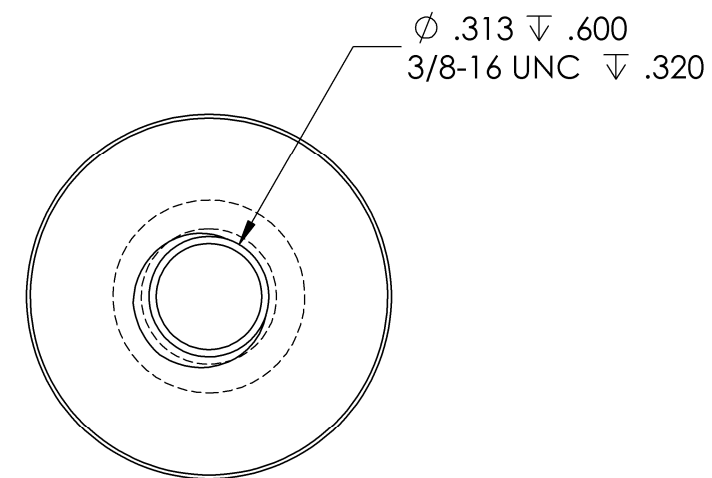
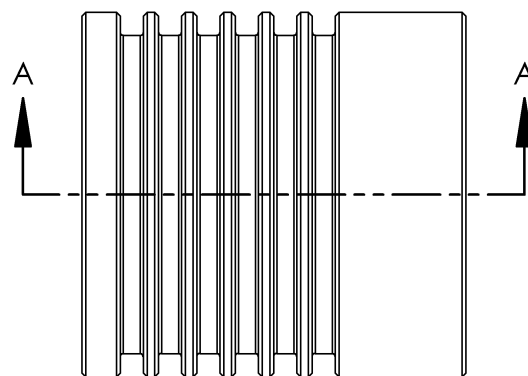
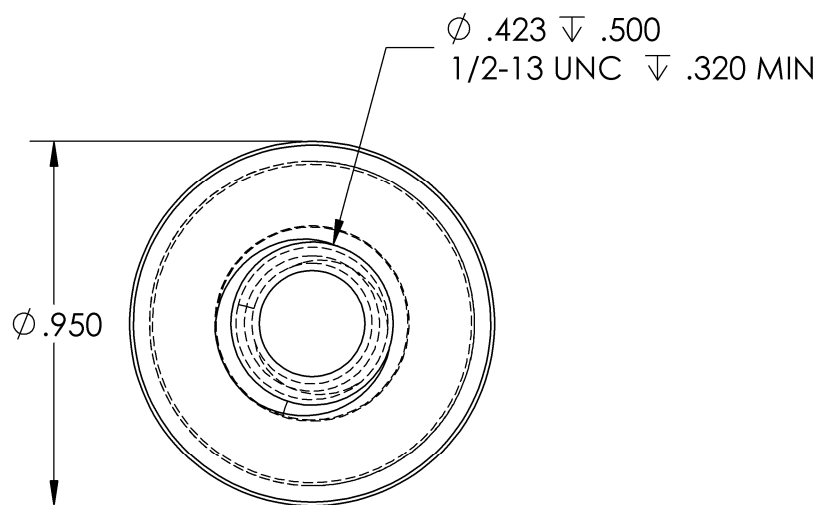
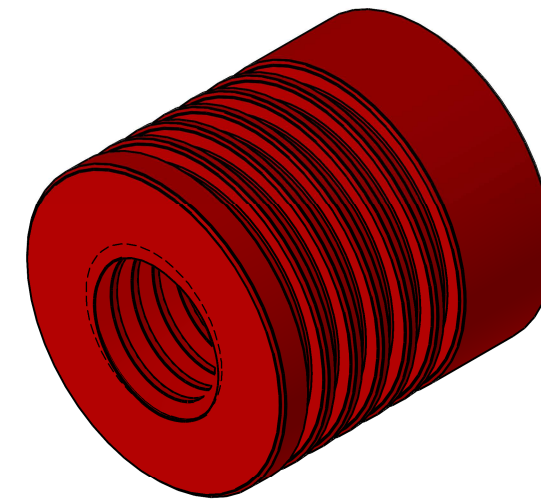
A



DETAIL B  
SCALE 8 : 1



SECTION A-A



REV	DESCRIPTION	DATE	INITIALS
A	ORIGINAL DESIGN	11/6/22	NGM
B			
C			
D			
E			
F			
G			
H			

UNLESS OTHERWISE SPECIFIED  
DIMENSIONS ARE IN INCHES.  
ALL DIMENSIONS APPLY AFTER  
ANY SURFACE TREATMENT  
(i.e. ANODIZE, PLATING)

DECIMAL  
X.X ±0.1  
X.XX ±0.01  
X.XXX ±0.005  
X.XXXX ±0.0005

ANGULAR ±0.5°  
SURFACE FINISH 64

CAD GENERATED DRAWING  
DO NOT MANUALLY  
UPDATE OR SCALE

SURFACE SHALL BE UNIFORM  
AND FREE OF BURRS,  
BLEMISHES, AND SCRATCHES.

MATERIAL:  
ALUMINUM 6061

PART FINISH:  
ANODIZE RED

This document, including the information  
contained herein, is the property of MOSSCNC,  
and is considered confidential and proprietary  
information. It is delivered on the express  
condition that it not be used, disclosed, or  
reproduced in whole or in part, for any reason  
without prior written consent of MOSSCNC.

MOSSCNC NICHOLAS G. MOSS RAVENA, NY 12143			
DESCRIPTION: STOCK 1" ROUND			
SCALE: 2:1	SHEET: 1 OF 1	DRAWING NUMBER: TITAN-87L	REV: A

**DRAWN BY NICHOLAS G. MOSS**

6

5

4

3

2

1