

8

7

6

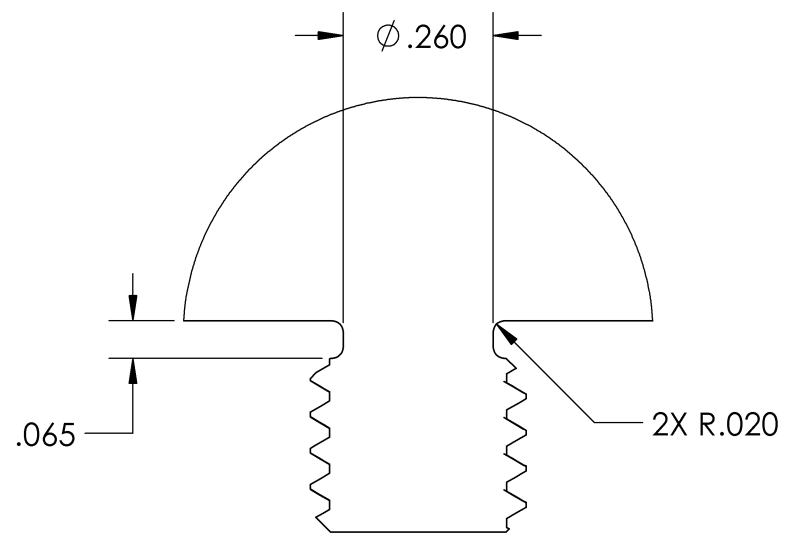
5

4

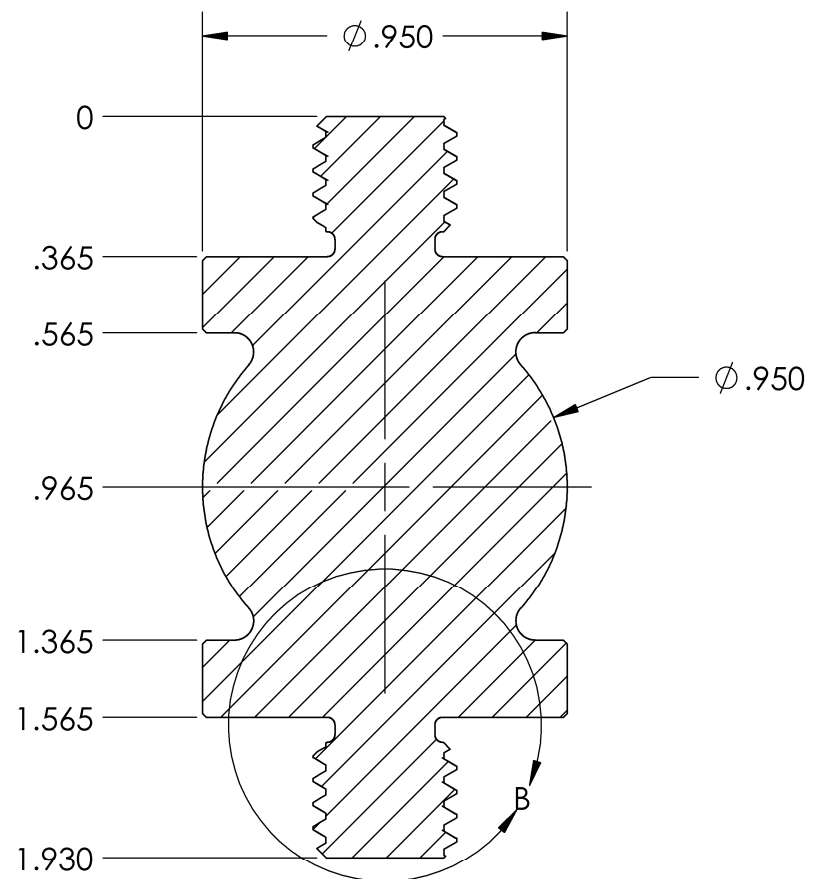
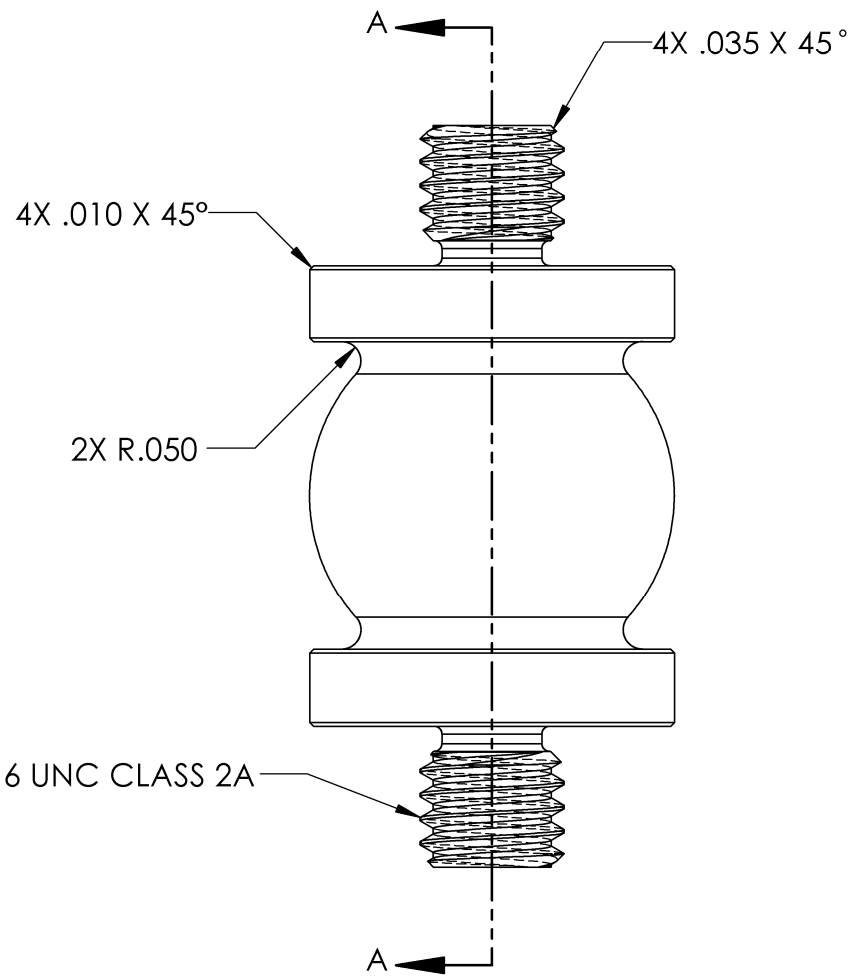
3

2

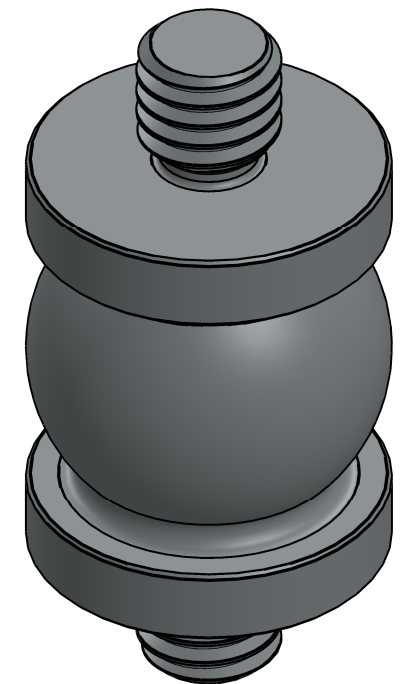
1



2X DETAIL B
SCALE 3:1



SECTION A-A



REV	DESCRIPTION	DATE	INITIALS
A	ORIGINAL DESIGN	11/6/22	NGM
B			
C			
D			
E			
F			
G			
H			

UNLESS OTHERWISE SPECIFIED
DIMENSIONS ARE IN INCHES.
ALL DIMENSIONS APPLY AFTER
ANY SURFACE TREATMENT
(i.e. ANODIZE, PLATING)

DECIMAL
X.X ±0.1
X.XX ±0.01
X.XXX ±0.005
X.XXXX ±0.0005

ANGULAR ±0.5°
SURFACE FINISH 64

CAD GENERATED DRAWING
DO NOT MANUALLY
UPDATE OR SCALE

SURFACE SHALL BE UNIFORM
AND FREE OF BURRS,
BLEMISHES, AND SCRATCHES.

MATERIAL:
ALUMINUM 6061

PART FINISH:
ANODIZE CLEAR

This document, including the information
contained herein, is the property of MOSSCNC,
and is considered confidential and proprietary
information. It is delivered on the express
condition that it not be used, disclosed, or
reproduced in whole or in part, for any reason
without prior written consent of MOSSCNC.

DESCRIPTION: STOCK 1" ROUND			
SCALE: 2:1	SHEET: 1 OF 1	DRAWING NUMBER: TITAN-88L	REV: A

MOSSCNC
NICHOLAS G. MOSS
RAVENA, NY 12143

DRAWN BY NICHOLAS G. MOSS

6

5

4

3

2

1