

8

7

6

5

4

3

2

1

D

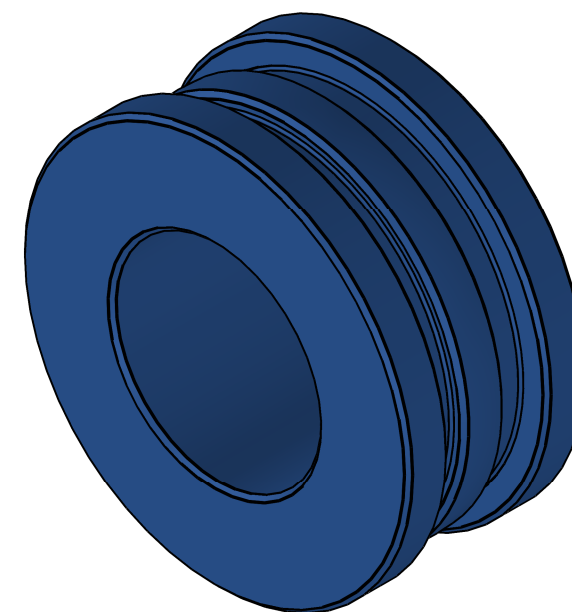
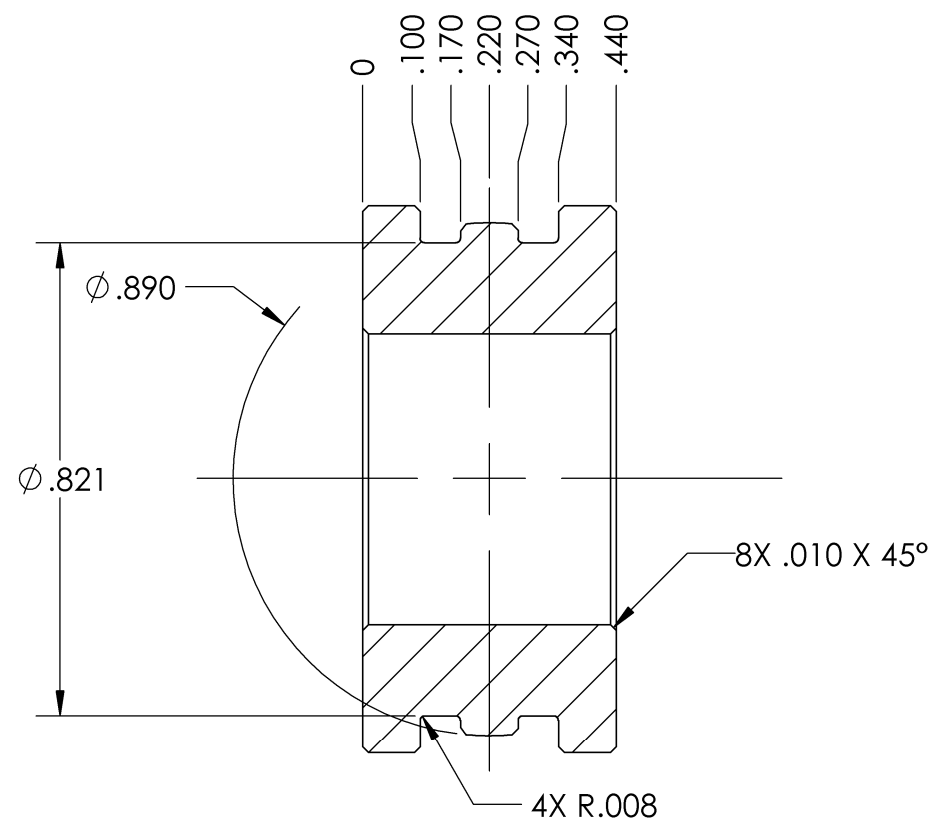
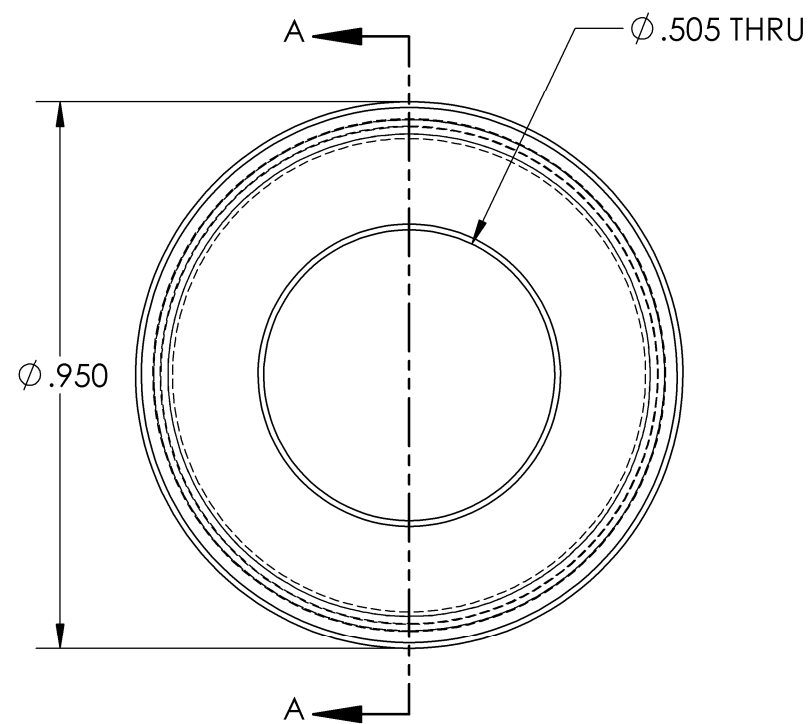
D

C

C

B

B



A

A

REV	DESCRIPTION	DATE	INITIALS
A	ORIGINAL DESIGN	11/6/22	NGM
B			
C			
D			
E			
F			
G			
H			

UNLESS OTHERWISE SPECIFIED DIMENSIONS ARE IN INCHES. ALL DIMENSIONS APPLY AFTER ANY SURFACE TREATMENT (i.e. ANODIZE, PLATING)

DECIMAL  
 X.X ±0.1  
 X.XX ±0.01  
 X.XXX ±0.005  
 X.XXXX ±0.0005

ANGULAR ±0.5°  
 SURFACE FINISH 64

CAD GENERATED DRAWING  
 DO NOT MANUALLY UPDATE OR SCALE

SURFACE SHALL BE UNIFORM AND FREE OF BURRS, BLEMISHES, AND SCRATCHES.

MATERIAL:  
 ALUMINUM 6061

PART FINISH:  
 ANODIZE BLUE

This document, including the information contained herein, is the property of MOSSCNC, and is considered confidential and proprietary information. It is delivered on the express condition that it not be used, disclosed, or reproduced in whole or in part, for any reason without prior written consent of MOSSCNC.

DESCRIPTION: 1" ROUND			
SCALE: 3:1	SHEET: 1 OF 1	DRAWING NUMBER: TITAN-92L	REV: A

**DRAWN BY NICHOLAS G. MOSS**

6

5

4

3

2

1