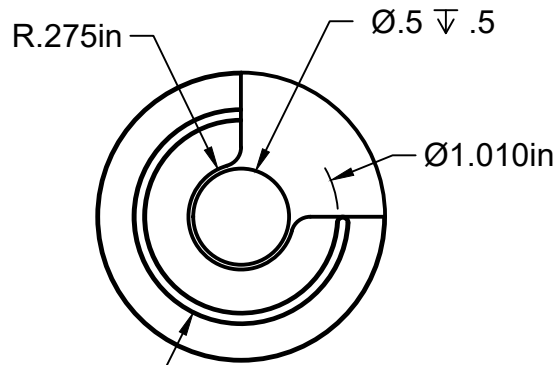
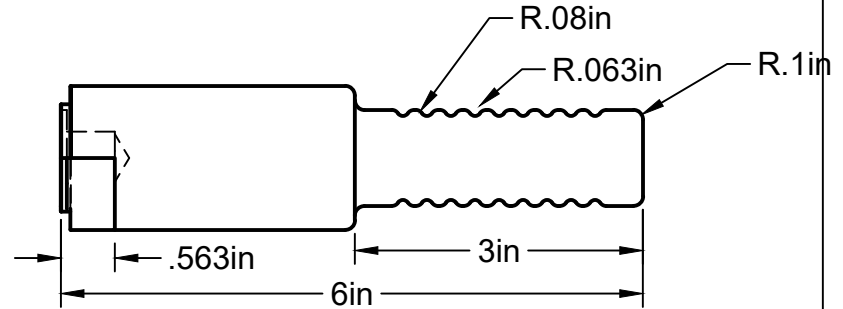
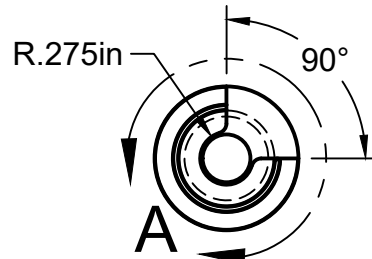
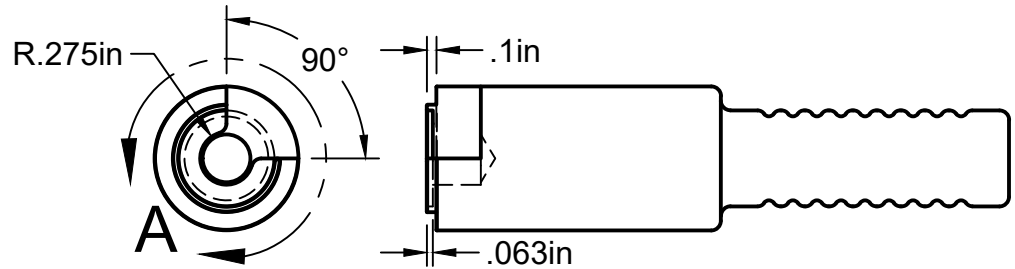


DETAIL B
SCALE 1:1



DETAIL A
SCALE 1:1



2nd Op Setting Tool All Rocket Series parts G55 - 85L, 87L, 89L, 90L, 93L G56 - 88L (same as G55 +.365) G57 - 91L		PROJECT			
		3D CNC Class 2021-2022			
APPROVED CHECKED DRAWN Stephen Hadwin 2/22/2022		TITLE			
		Rocket Series 2nd Op Set Tool v0			
		SIZE	CODE	DWG NO	REV
		A			
SCALE 1:2		WEIGHT		SHEET 1/1	