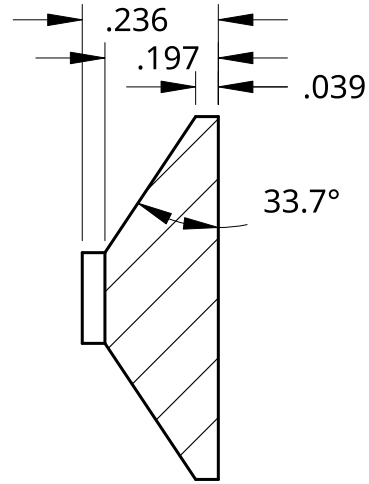
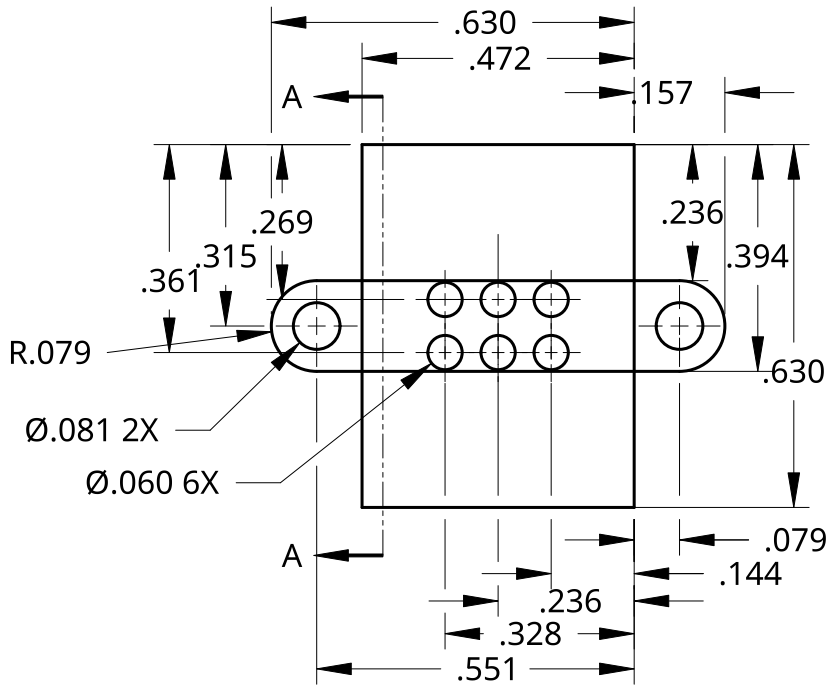
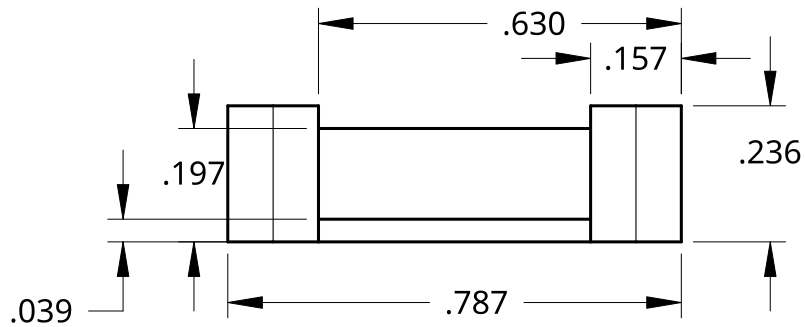


2

1



SECTION A - A

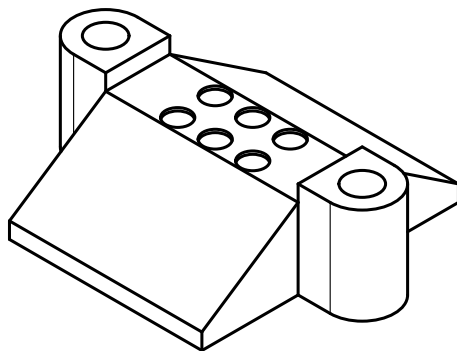


B

B

A

A



UNLESS OTHERWISE SPECIFIED, DIMENSIONS ARE IN INCHES

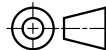
.XX = ±.05
.XXX = ±.005 ANGULAR = ± 1°
.XXXX = ±.0005

SURFACE FINISH $\sqrt{\quad}$

DO NOT SCALE DRAWING

BREAK ALL SHARP EDGES AND REMOVE BURRS

THIRD ANGLE PROJECTION



	NAME	DATE
DRAWN	ANDREW CASTILLO	04/05/2024
CHECKED		
APPROVED		

TITLE			Print Mold		
SIZE	DWG. NO.			REV.	
A	1				
SCALE	WEIGHT	SHEET		1 of 1	
3:1					

2

1