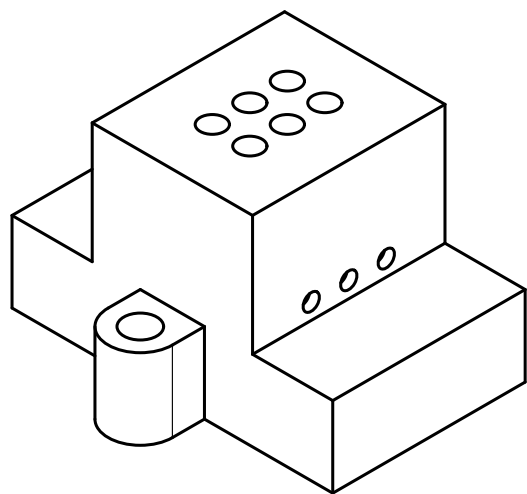
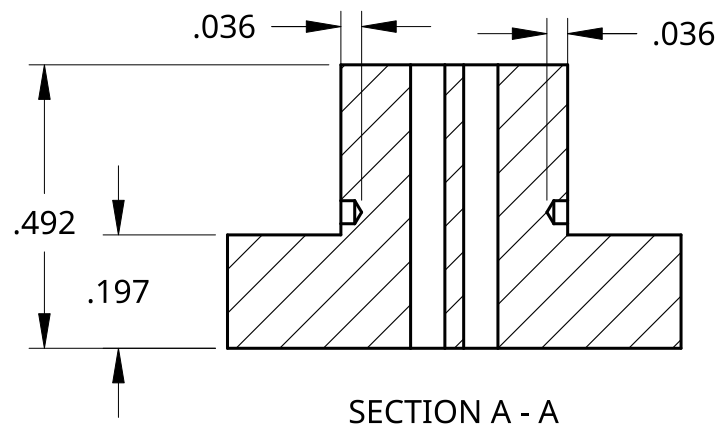
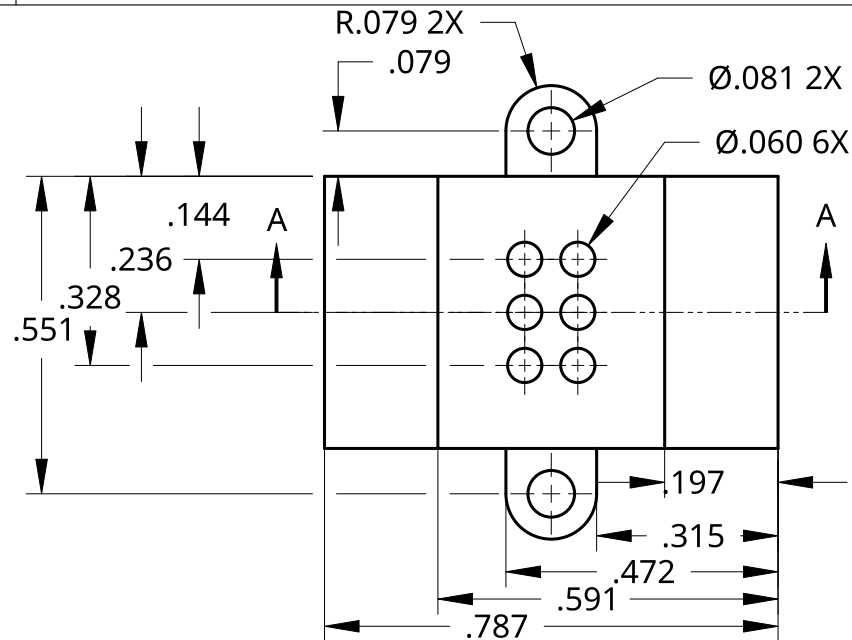
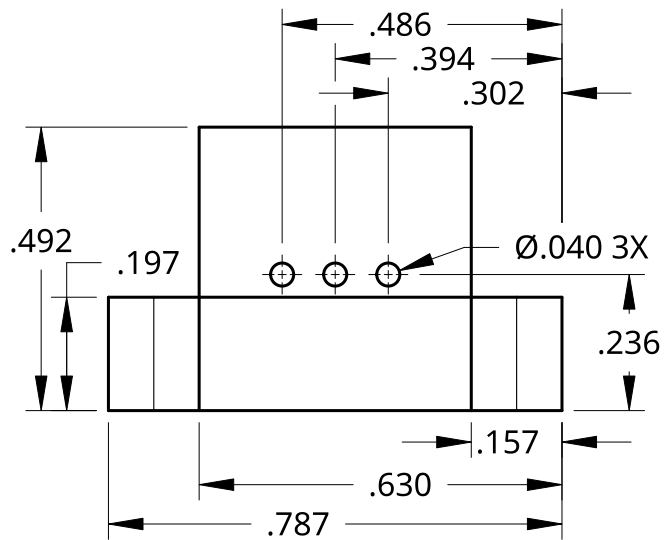


2

1



2

1

UNLESS OTHERWISE SPECIFIED, DIMENSIONS ARE IN INCHES

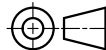
.XX = ±.05  
.XXX = ±.005 ANGULAR = ±1°  
.XXXX = ±.0005

SURFACE FINISH  $\sqrt{\quad}$

DO NOT SCALE DRAWING

BREAK ALL SHARP EDGES AND REMOVE BURRS

THIRD ANGLE PROJECTION



	NAME	DATE
DRAWN	ANDREW CASTILLO	04/05/2024
CHECKED		
APPROVED		
MATERIAL	AI 6061	FINISH

TITLE		
Print Block		
SIZE	DWG. NO.	REV.
A	1	
SCALE	WEIGHT	SHEET
3:1		1 of 1