

**PROPRIETARY AND CONFIDENTIAL**

THE INFORMATION CONTAINED IN THIS DRAWING IS THE SOLE PROPERTY OF COMPUTER COMFORTS INC. ANY REPRODUCTION IN PART OR AS A WHOLE WITHOUT THE WRITTEN PERMISSION OF COMPUTER COMFORTS INC. IS PROHIBITED.



**COMPUTER COMFORTS INC.**

367 COLUMBIA  
MEMORIAL PKWY.  
KEMAH, TX 77565  
281-535-2288

DRAWN BY SB

DATE 6/5/23

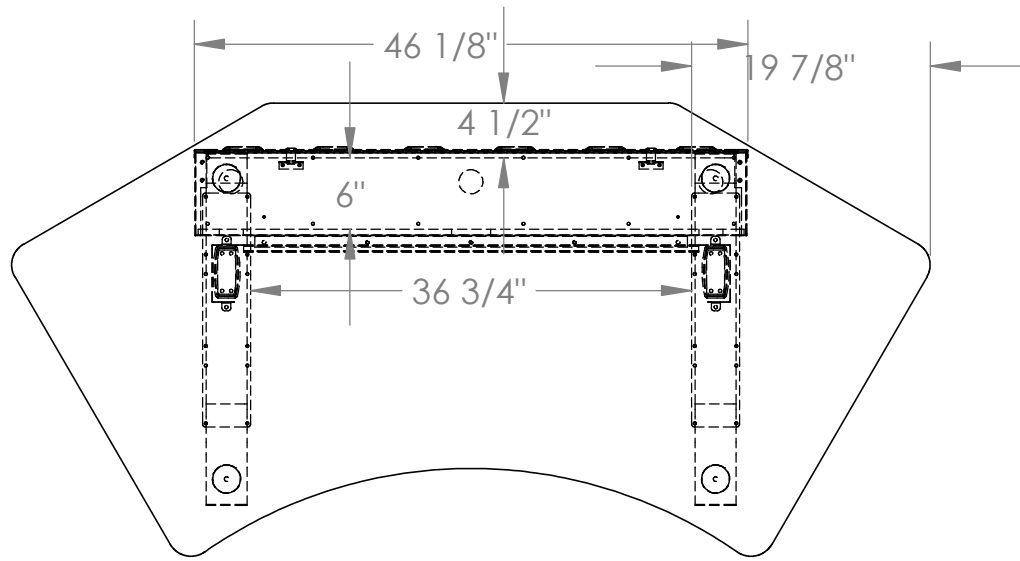
DO NOT SCALE DRAWING

DIMENSIONS ARE IN INCHES  
TOLERANCES:  
FRACTIONAL  $\pm 1/32$   
ANGULAR: BEND  $\pm 1^\circ$   
ONE PLACE DECIMAL  $\pm .02$   
TWO PLACE DECIMAL  $\pm .01$   
THREE PLACE DECIMAL  $\pm .005$

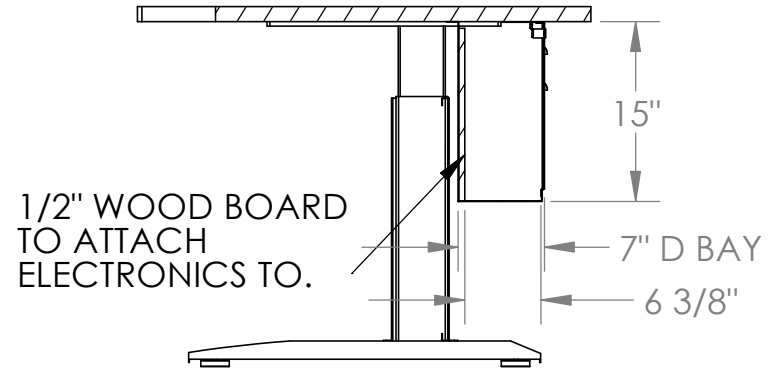
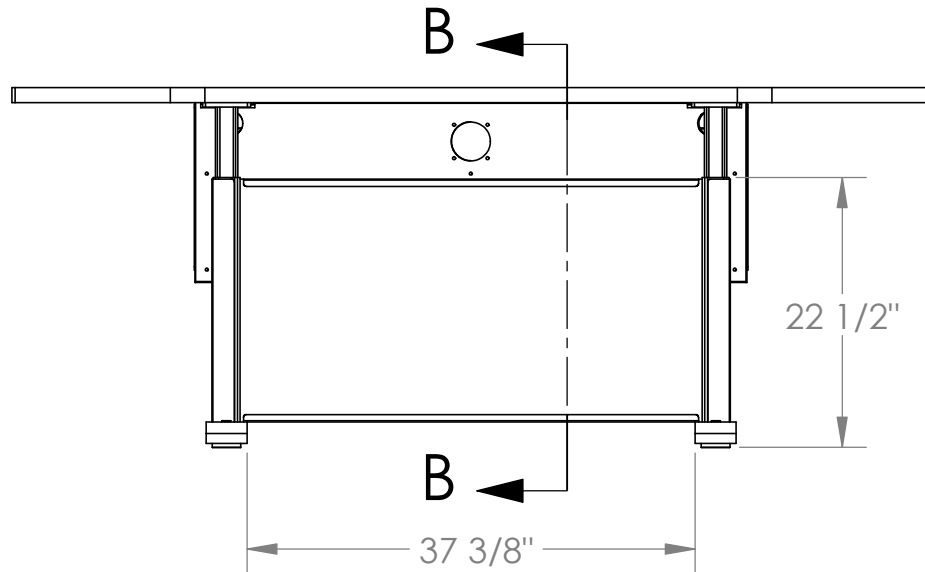
PART DESCRIPTION

PL3-7637-WING-EB-7

PART#



TABE FRAME IS FROM A 48"W TABLE



1/2" WOOD BOARD  
TO ATTACH  
ELECTRONICS TO.

B-B



**COMPUTER COMFORTS INC.**

367 COLUMBIA  
MEMORIAL PKWY.  
KEMAH, TX 77565  
281-535-2288

**PROPRIETARY AND CONFIDENTIAL**

THE INFORMATION CONTAINED IN THIS DRAWING IS THE SOLE PROPERTY OF COMPUTER COMFORTS INC. ANY REPRODUCTION IN PART OR AS A WHOLE WITHOUT THE WRITTEN PERMISSION OF COMPUTER COMFORTS INC. IS PROHIBITED.

DRAWN BY SB

DATE 6/5/23

DO NOT SCALE DRAWING

DIMENSIONS ARE IN INCHES  
TOLERANCES:  
FRACTIONAL  $\pm 1/32$   
ANGULAR: BEND  $\pm 1^\circ$   
ONE PLACE DECIMAL  $\pm .02$   
TWO PLACE DECIMAL  $\pm .01$   
THREE PLACE DECIMAL  $\pm .005$

PART DESCRIPTION

PL3-7637-WING-EB-7

PART#