



# RIGHT WIDTH™ FloWise® ELONGATED RIGHT HEIGHT® FLUSHOMETER TOILET

VITREOUS CHINA

BARRIER FREE

## RIGHT WIDTH™ FloWise® ELONGATED RIGHT HEIGHT® FLUSHOMETER TOILET

- Floor mount elongated flushometer toilet with seat
- Vitreous china
- Load tested to 2,000 lbs. - Perfect for Bariatric Applications
- High Efficiency, Low Consumption. Operates in the range of 1.28 gpf to 1.6 gpf (4.9 Lpf to 6.0 Lpf)
- Meets definition of HET (High Efficiency Toilet) when used with a 1.28 gpf high efficiency flush valve
- Wider footprint is ideal for retrofit installation
- 17" rim height for accessible applications
- Elongated, Open Front, Right Width™ seat (less toilet seat lid) included
- Fully glazed 2" trapway
- 10" or 12" Rough-in
- 1-1/2" inlet spud
- 2 bolt caps

3641.001 Top spud

### System MaP\* Score:

- 1,000 grams of miso @ 1.6 gpf or 1.28 gpf when used with an American Standard flush valve

\* Maximum Performance (MaP) testing performed by IAPMO R&T Lab. MaP Report conducted by Veritec Consulting, Inc. and Koeller and Company.

### Nominal Dimensions:

718 x 432 x 434mm  
(28-1/4" x 17" x 17-1/8")

Recommended working pressure – between 30 psi at valve when flushing and 80 psi static

Fixture and Seat only, flush valve by others

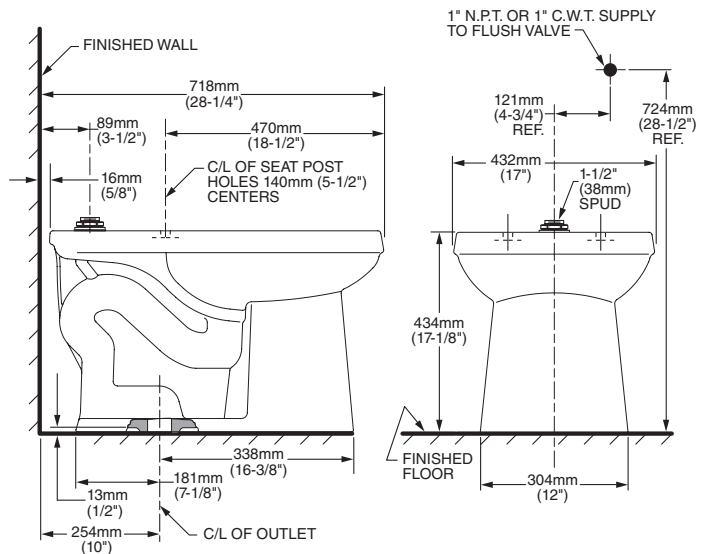
### Compliance Certifications -

#### Meets or Exceeds the Following Specifications:

- ASME A112.19.2-2008 / CSA B45.1-08 for Vitreous China Fixtures

#### To Be Specified:

- Color:  White
- Flushometer Valve:
  - 1.6 gpf:
    - Sensor-Operated: American Standard Selectronic® DC Power #6065.161.002 (Top Spud)
    - Manual: American Standard #6047.161.002 (Top Spud)
  - 1.28 gpf:
    - Sensor-Operated: American Standard Selectronic® DC Power #6065.121.002 (Top Spud)
    - Manual: American Standard #6047.121.002 (Top Spud)



#### NOTES:

THIS TOILET IS DESIGNED TO ROUGH-IN AT A MINIMUM DIMENSION OF 254MM (10") FROM FINISHED WALL TO C/L OF OUTLET. TO COMPLY WITH AREA CODE GOVERNING THE HEIGHT OF VACUUM BREAKER ON FLUSH VALVE, THE PLUMBER MUST VERIFY DIMENSIONS SHOWN FOR SUPPLY ROUGHING. FLUSH VALVE NOT INCLUDED AND MUST BE ORDERED SEPARATELY.

**IMPORTANT:** Dimensions of fixtures are nominal and may vary within the range of tolerances established by ANSI Standard A112.19.2. These measurements are subject to change or cancellation. No responsibility is assumed for use of superseded or voided pages.



MEETS THE AMERICANS WITH DISABILITIES ACT GUIDELINES AND ANSI A117.1 REQUIREMENTS FOR ACCESSIBLE AND USABLE BUILDING FACILITIES - CHECK LOCAL CODES.