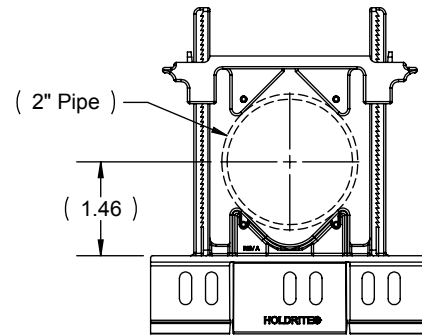
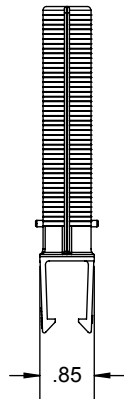
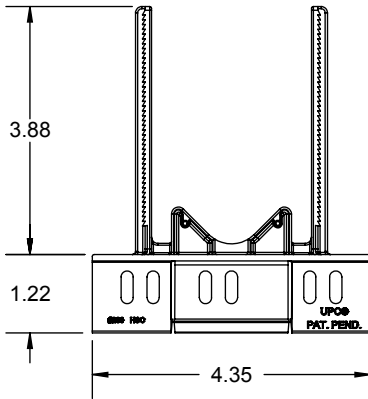
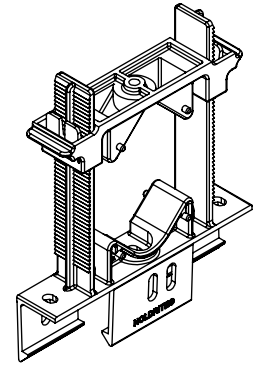
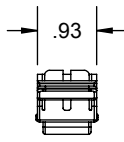
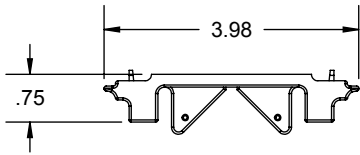


# PRODUCT SPECIFICATION DRAWING

## HOLDRITE® FLAME FIGHTER™ #280-S

### (25/50 Plenum Rated)



ALL DIMENSIONS IN INCHES

The **HOLDRITE Stout Clamp™ #280-S** is a flame and smoke rated variable closure clamp. Clamp supports 1" to 2" CTS/IPS tubing sizes. Supports Copper, PEX, CPVC tubing, conduit, etc. Material meets ASTM E-84 25/50 and UL94V-0 fire rating.

#### Product Information:

- Material: Kynar Flex, Yellow, UL94V-0
- Temperature range: -20°F to +200°F
- Load rating: 75 lbs in suspended mode, 300 lbs maximum in top mount
- Meets ASTM E-84 25/50 and UL94V-0
- UPC / IPC / IAPMO listed



THIS INFORMATION IS PROPRIETARY TO HOLDRITE AND IS SUBJECT TO CHANGE WITHOUT NOTICE. IT MAY NOT BE REPRODUCED IN PART OR WHOLE WITHOUT WRITTEN AUTHORIZATION.



CONVERTING MAKESHIFT METHODS INTO ENGINEERED SOLUTIONS<sup>SM</sup>  
 800-321-0316 OR 760-744-6944 / FAX: 760-744-0507 / WWW.HOLDRITE.COM  
 spec\_280-S\_RevD

Product Submittal	
Job Name:	
Date:	
Part Number:	Qty:
Architect / Owner:	
Contractor:	
Notes:	