

Snap-N-Loc® Basket Strainer

300 Grade Stainless or Brushed Stainless Steel Sink Strainer



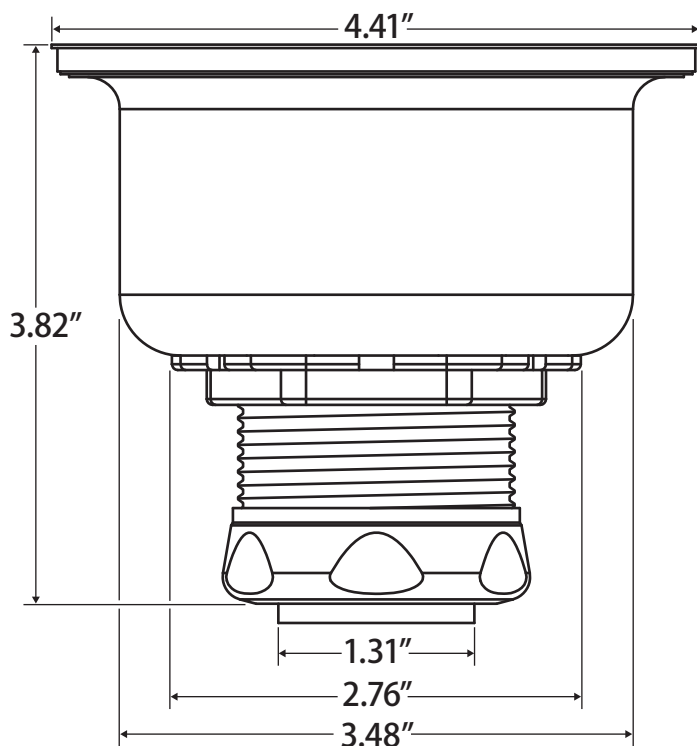
SS-306



Clamshell
Package

As one of Jomar's more popular basket strainers, the Snap-N-Loc® is known for its original spring-loaded ball bearing post design that snaps perfectly into place, creating a positive leak-proof seal every time. This popular strainer is constructed with a high quality stainless steel deep-cup body, ball bearing, and basket, and comes standard with a brass tail nut. With a sleek design and proven track record, it has become such a favorite among installers that it is offered in brushed or polished stainless steel finish.

Fits sinks which have a thickness between 1/16" and 3/4"



| No. | Materials | | |
|-----|-----------------|---------|--------------|
| | 300-006 | 300-008 | 300-017CLAM* |
| 1 | Handle | | |
| 2 | Strainer Basket | | |
| 3 | Body | | |
| 4 | Rubber Washer | | |
| 5 | Cup | | |
| 6 | Lock Nut | | |
| 7 | Seal Ring | | |
| 8 | Tail Nut | | |

*Sold in a clamshell package shown above
Note: All models include friction ring