



90° FITTINGS

5110 2-Hole Corner Angle

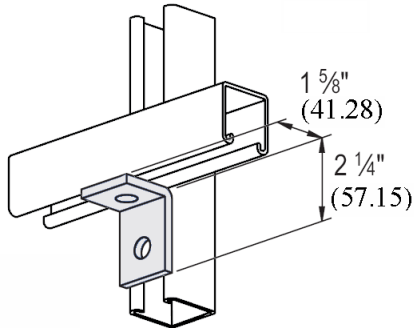


Fig. Number	Std. Package	Wt. Each	
		lbs.	kg
5110	50	.36	(.16)

Available in stainless steel. To order, specify 304 or 316 and add suffix SS to fig. number. Price on request.

MATERIAL: 1/4 X 1 5/8 (6.35 X 41.28)

FINISH: Electro-galvanized

ORDERING: Specify figure number.

HOLE DIM: 9/16 (14.29) dia. • 13/16 (20.64) from end

5112 2-Hole Corner Angle

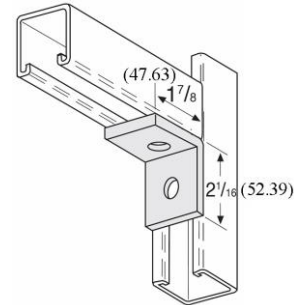


Fig. Number	Std. Package	Wt. Each	
		lbs.	kg
5112	50	.37	(.17)

Available in stainless steel. To order, specify 304 or 316 and add suffix SS to fig. number. Price on request.

MATERIAL: 1/4 X 1 5/8 (6.35 X 41.28)

FINISH: Electro-galvanized

ORDERING: Specify figure number.

HOLE DIM: 9/16 (14.29) dia. • 13/16 (20.64) from end

5115 - 5118 2-Hole Corner Angle

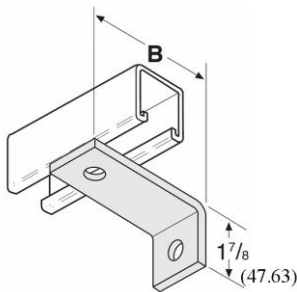


Fig. Number	Length B		Std. Package	Wt. Each	
				lbs.	kg
5115	3	(76.20)	50	.49	(.22)
5116	3 1/2	(81.28)	50	.54	(.24)
5118	4	(101.60)	50	.61	(.28)

Available in stainless steel. To order, specify 304 or 316 and add suffix SS to fig. number. Price on request.

MATERIAL: 1/4 X 1 5/8 (6.35 X 41.28)

FINISH: Electro-galvanized

ORDERING: Specify figure number and length "B".

HOLE DIM: 9/16 (14.29) dia. • 13/16 (20.64) from end

5119 "No-Turn" 2-Hole Corner Angle

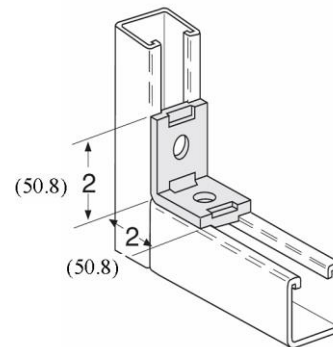


Fig. Number	Std. Package	Wt. Each	
		lbs.	kg
5119	50	.40	(.18)

MATERIAL: 1/4 X 1 5/8 (6.35 X 41.28)

FINISH: Electro-galvanized

ORDERING: Specify figure number.

HOLE DIM: 9/16 (14.29) dia. • 13/16 (20.64) from end

Unless otherwise specified, all dimensions on drawings and in charts are in inches and dimensions shown in parentheses are in millimeters.