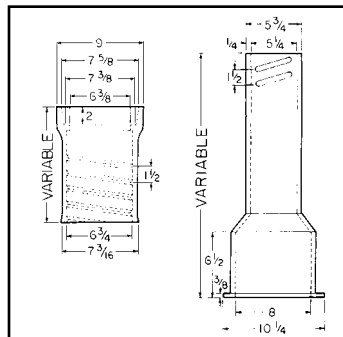


SUBMITTAL

(Current Revisions for All Standards Apply)

- SIZES:** Adjustable Slip and Screw type with standard assembled lengths ranging from 19" to 72" (Lengths noted do not include the addition of risers, extensions, and/or bases). See the Catalog or List Price guide for access., lids, rings, bases, risers, meter covers, etc.
- STANDARDS:** Produced with Class 35 cast iron in accordance with and meeting all applicable terms and provisions of ASTM A-48. All Tyler Union valve boxes when properly installed are suitable for use in conjunction with projects utilizing American Association of State Highway and Transportation Officials (AASHTO) standards and provisions.
- INSTALLATION:** Per AWWA M44, Manual of Water Supply Practices
- COATING:** The asphaltic bituminous coating is applied to a minimum thickness of 1.5 mil and the coating once dry is neither brittle when exposed to cold or sticky when exposed to the sun.

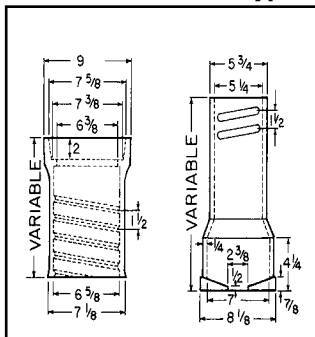
**For 4" to 12" Valves
5 1/4" Shaft, Screw Type**



**6850 SCREW TYPE
VALVE BOX
Cast Iron - 2 piece**

Components	Extension Height
10T + 15B	19-22
10T + 24B	27-32
16T + 24B	27-37
16T + 30B	33-43
16T + 36B	39-50
26T + 30B	36-52
26T + 36B	39-60
26T + 24B + #60 Ext	53-71
26T + 36B + #60 Ext	64-82

**For 3" to 20" Valves
5 1/4" Shaft, Screw Type**

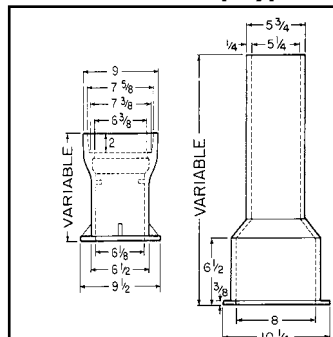


**6860 SCREW TYPE
VALVE BOX
Cast Iron - 3 piece**

Components	Extension Height
10T + 12B	27-37
10T + 18B	33-42
16T + 24B	39-49
16T + 30B	45-54
16T + 36B	51-60
26T + 30B	45-66
26T + 36B	51-72

NOTE: Base Required,
Order Separately

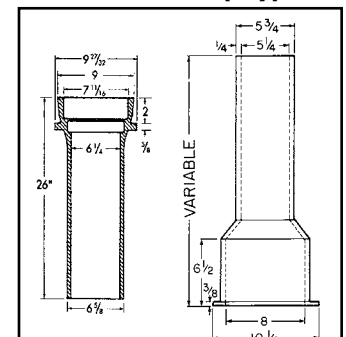
**For 4" to 12" Valves
5 1/4" Shaft, Slip Type**



**6855 SLIP TYPE
VALVE BOX
Cast Iron - 2 piece**

Components	Extension Height
10T + 15B	19-22
10T + 24B	27-32
16T + 24B	27-37
16T + 30B	33-43
16T + 36B	39-50
26T + 30B	36-52
26T + 36B	39-60
26T + 24B + #60 Ext	53-71
26T + 36B + #60 Ext	64-82

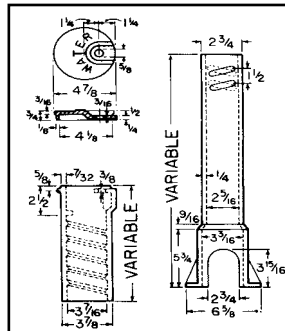
**For 4" to 12" Valves
5 1/4" Shaft, Slip Type**



**7126 SLIP TYPE
VALVE BOX**

Components	Extension Height
26T + 24B	28-48
26T + 30B	34-54
26T + 36B	40-60
26T + 24B + #60 Ext	52-72
26T + 36B + #60 Ext	60-80

NOTE: Use the 6855 Bottoms
with these Tops



For 1/2" to 2" Curbstops

**6500 SCREW TYPE
CURB / SERVICE BOX**

Components	Extension In Inches
18T & 27B	30-42
18T & 33B	36-48
24T & 33B	36-54
24T & 39B	42-60
30T & 39B	41-64

*Enlarged Base Available

**T = Top
B = Bottom
EXT = Extension**