

**JOVISION**

— Create a smart and safe world —



# PRODUCT CATALOGUE

## Jovision Technology Co.,Ltd.

**HQ Address:** Floor 12, Building 3, Aosheng Square, No. 1166 Xinluo Street, Jinan, Shandong, China.

**Shenzhen Branch Address:** 12th floor, Building 3A, Cloud Park, Bantian, Longgang District, Shenzhen, China.

**Dongguan factory address:** NO.4 Daji Industrial park, Hengshan village Shipai town, Dongguan city Guangdong province, China.

**Website:** <http://en.jovision.com>      **Email:** [info@jovision.com](mailto:info@jovision.com)

**Tel:** 0086-531-88192061, 0086-0755-88391042

©2019 Jovision Technology Co., Ltd. All rights reserved.

Note: Design and specifications are subject to change without notice. Under no circumstances, this document shall be reproduced, distributed or changed partially or wholly without formal authorization of Jovision Technology Co., Ltd.

Jovision and CloudSEE are trademarks of Jovision Technology Co., Ltd. All other trade names and marks referenced are the registered trademarks of their respective owners.



# ABOUT JOVISION

Jovision Technology Co., Ltd. (hereinafter referred to as Jovision), founded on the year 2000, is one of the world's leading manufacturer and supplier of video surveillance products and solutions including IP Cameras, Wi-Fi Cameras, NVRs, HD Analog Cameras, XVRs , Smart Doorbell and Smart Peephole Viewers etc .

With more than 300 experienced R&D engineers, Jovision provides customized products and solutions (OEM & ODM) according to customers' requirements. As a significant role in video surveillance market, Jovision focuses on product innovation and product quality control. Jovision products pass strict quality control tests and Jovision is ISO9001/14001 certified.

Jovision factories cover the area of 30,000Sqm with 11 assembly and packing lines. The total manufacturing capacity is 5,00,000pcs per month.

Jovision products and solutions are monitoring and securing millions of locations across the world, ranging from government buildings, infrastructures, transportation, hotels, hospitals, educational institutes, farms and homes with highly satisfied customer base. Besides that, we are supplier of renowned players and channels in America, Europe and other regions of the world, which proves that Jovision products are reliable and competitive.

If you are interested in cooperation with Jovision, please feel free to contact us: [info@jovision.com](mailto:info@jovision.com)

# CONTENTS

- IPC ..... 1
  - 2MP ..... 1
  - 3MP ..... 15
  - 4MP ..... 18
  - 5MP ..... 20
- SMART HOME ..... 23
- NVR ..... 29
- HD Analog ..... 37
  - 2MP ..... 37
  - 4MP ..... 40
- XVR ..... 42



JVS-N832SL-YWC



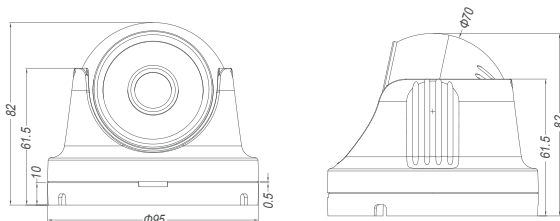
Features

- Resolution 1920x1080@25fps.
- 18x IR-LED, Up to 25 Meters.
- Supports CloudSEE APP on iOS/Android.
- ONVIF 2.4, Compatible with ONVIF Recorder.
- Support Behavior analysis.

Specifications

Model	JVS-N832SL-YWC
<b>Video</b>	
Image Sensor	1/ 2.9" CMOS
Max Resolution	1920 x 1080
Effective Pixels	2.0MP
Compression Standard	H.265/H.264
Maximum Frame Rate	1080p@25fps
SNR(dB)	38.4dB
Bit Rate	128Kbps ~ 8Mbps
Illumination	0.05Lux (IR OFF)/0Lux (IR ON)
<b>Lens</b>	
Lens	3.6mm
Viewing Angle	3.6 mm: 96°
IR-LEDs	14μ x 18 LEDs
IR-Distance	Up to 25 Meters
Focus Control	Manual
<b>Function</b>	
Motion Detection	Support
Email Alert	Support
Day& Night	Support
Recording	Support (NVR, Windows PC, Smartphone)
DHCP	Support
Pan/Tilt	Not Supported
SD-Card	Not Supported
Privacy Mask	Support up to 8 areas
Exposure Control	Support
Image Adjustment	Support
Auto. White Balance	Support
Image Rotation	Support (Mirror/Flip)
Intercom	Not Supported
FTP	Not Supported
Behavior Analysis	Line crossing detection, intrusion detection, people counting
<b>Network</b>	
Ethernet	10M/100M Ethernet, RJ45 Port
Protocols	HTTP, TCP/IP,UDP, ICMP, RTSP, RTP, RTCP, SMTP, DHCP, DNS
Stream	2x Streams
Wi-Fi	Not Supported
LAN	Support
ONVIF	ONVIF 2.4
User	Up to 13 Users
Browser	IE8+
Smart Phone	iOS/Android
<b>General</b>	
Dimensions(W*H*D)	φ95x82mm
Weights	150g
Material	Plastic
Working Temperature	-20°C ~ 60°C
Humidity	RH 10% ~ 90%
Power Supply	DC12V/2A, PoE (Optional)
Consumption	Day ≦ 2W Night ≦ 6W
Waterproof	NO

Dimension



JVS-N835-YWC-R2



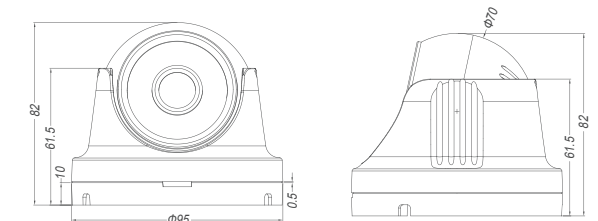
Features

- Resolution 1920x1080@20fps.
- 12x IR-LED, Up to 25 Meters.
- Supports CloudSEE APP on iOS/Android.
- ONVIF 2.4, Compatible with ONVIF Recorder.

Specifications

Model	JVS-N835-YWC-R2
<b>Video</b>	
Image Sensor	1/ 2.7" CMOS
Max Resolution	1920 x 1080
Effective Pixels	2.0MP
Compression Standard	H.265/H.264
Maximum Frame Rate	1080p@20fps
SNR(dB)	40dB
Bit Rate	128Kbps ~ 8Mbps
Illumination	0Lux (IR ON)
<b>Lens</b>	
Lens	3.6mm
Viewing Angle	3.6 mm: 96°
IR-LEDs	14μ x 12 LEDs
IR-Distance	Up to 25 Meters
Focus Control	Manual
<b>Function</b>	
Motion Detection	Support
Email Alert	Support
Day& Night	Support
Recording	Support (NVR, Windows PC, Smartphone)
DHCP	Support
Pan/Tilt	Not Supported
SD-Card	Not Supported
Privacy Mask	Support up to 4 areas
Exposure Control	Support
Image Adjustment	Support
Auto. White Balance	Support
Image Rotation	Support (Mirror/Flip)
Intercom	Not Supported
FTP	Not Supported
<b>Network</b>	
Ethernet	10M/100M Ethernet, RJ45 Port
Protocols	HTTP, TCP/IP,UDP, ICMP, RTSP, RTP, RTCP, SMTP, DNS, DHCP.
Stream	2x Streams
Wi-Fi	Not Supported
LAN	Support
ONVIF	ONVIF 2.4
User	Up to 13 Users
Browser	IE8+
Smart Phone	iOS/Android
<b>General</b>	
Dimensions(W*H*D)	φ95x82mm
Weights	150g
Material	Plastic
Working Temperature	-20°C ~ 60°C
Humidity	RH 10% ~ 90%
Power Supply	DC12V/2A, PoE (Optional)
Consumption	Day ≦ 2W Night ≦ 6W
Waterproof	NO

Dimension







JVS-N3122SL



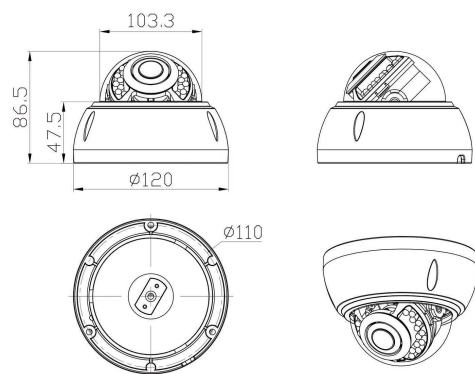
Features

- Resolution 1920x1080@20fps.
- Ingress Protection IP66.
- PoE IEEE 802.3af.
- 18x IR-LED, Up to 10 Meters.
- Supports CloudSEE APP on iOS/Android.
- ONVIF 2.4, Compatible with ONVIF Recorder.
- Support Behavior analysis.

Specifications

Model	JVS-N3122SL
<b>Video</b>	
Image Sensor	1/ 2.7" CMOS
Max Resolution	1920 x 1080
Effective Pixels	2.0MP
Compression Standard	H.265/H.264
Maximum Frame Rate	1080P@20fps / 960P@25fps
SNR(dB)	38.4dB
Bit Rate	Main: 261~8192Kbps Sub:87~3480Kbps
Illumination	0.05Lux
<b>Lens</b>	
Lens	2.8 mm / 3.6mm
Viewing Angle	2.8 mm: H 92.5°, V 59.9°, D: 108.5° 3.6 mm: H 79.6°, V 47.7°, D: 97.8°
IR-LEDs	18 LEDs
IR-Distance	Up to 20 Meters
<b>Function</b>	
Motion Detection	Support
Email Alert	Support
Day & Night	Support
Recording	Support (NVR, Windows PC, Smartphone)
DHCP	Support
Pan/Tilt	Not Supported
Audio Input	Support (Ext. Mic)
Audio Codec	Support (G711A/G711U)
SD-Card	Not Supported
Privacy Mask	Support up to 4 areas
Exposure Control	Support
Image Adjustment	Support
Auto. White Balance	Support
Image Rotation	Support (Mirror/Flip)
Intercom	Not Supported
FTP	Not Supported
Behavior Analysis	Line crossing detection, intrusion detection, people counting
<b>Network</b>	
Ethernet	10M/100M Ethernet, RJ45
Protocols	HTTP, TCP/IP, UDP, ICMP, RTSP, RTP, RTCP, SMTP, DHCP, DNS
Stream	2x Streams
Wi-Fi	Not Supported
LAN	Support
ONVIF	ONVIF 2.4
User	Up to 13 Users
Browser	IE8+
Smart Phone	iOS/Android
<b>General</b>	
Dimensions	φ120x90 (mm)
Weights	500g
Material	Aluminum
Working Temperature	-20°C ~ 60°C
Humidity	RH 10% ~ 90%
Power Supply	DC12V/2A, PoE (IEEE 802.3af)
Consumption	Day ≦ 3W Night ≦ 7W
Waterproof	IP66

Dimension



Accessory



JVS-N5DL-HC



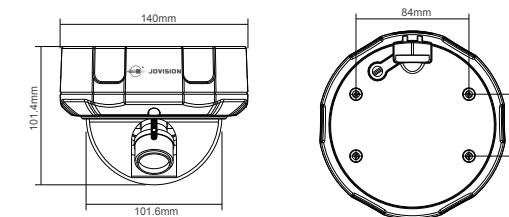
Features

- Resolution 1920 x 1080@30fps.
- 3.6mm Lens with wide viewing angle.
- 35x IR-LED, Up to 20 Meters.
- Ingress Protection IP66.
- Motion Detection with Email Alert.
- Supports APP CloudSEE on Smart Phone with iOS/Android.
- ONVIF 2.4, Compatible with ONVIF Recorder.

Specifications

Model	JVS-N5DL-HC
<b>Video</b>	
Image Sensor	1/2.7" CMOS
Max Resolution	1920 x 1080
Effective Pixels	2.0MP
Compression Standard	H.264
Maximum Frame Rate	1080p@30fps
SNR(dB)	40dB
Bit Rate	409Kbps ~ 8Mbps
Illumination	0Lux (IR ON)
<b>Lens</b>	
Lens	3.6mm
Viewing Angle	H: 79.6°, V: 47.7°, D: 97.8°
IR-LEDs	35 Pcs
IR-Distance	Up to 20 Meters
<b>Function</b>	
Email Alert	Support
Day & Night	Support
DWDR	Support
Defog	Support
White Balance	Auto
3D Noise Reduction	Support
Image Setting	Rotate Mode, Saturation, Brightness, Contrast, Sharpness
9:16 Corridor mode	Support
Privacy Mask	Support 8 Rectangle Areas
Auto IP Configuration	Support
Remote Control	System /Stream/ User/ Network Management
Auto White Balance	Support
Auto Exposure Control	Support
<b>Network</b>	
Ethernet	10M/100M Ethernet RJ45 Port
Stream	3X Streams
Wi-Fi	Not Support
ONVIF	ONVIF 2.4
User	Up to 13 Users
Browser	IE8+
Smart Phone	iOS/Android
Protocols	HTTP, TCP/IP, ICMP, RTSP, RTP, UDP, SMTP, DHCP, DNS
<b>General</b>	
Weights(g)	770g
Working Temperature	-20°C ~ 60°C
Humidity	10% ~ 90%
Power Supply	DC12V/2A, PoE IEEE 802.3af
Consumption	Day ≦ 3W Night ≦ 7W
Water Proof	IP66
Dimension(W*H*D)	139.9x101.4(mm)
Material	Aluminum

Dimension



Accessory





# IPC 2MP H.265 Dome Camera with MIC



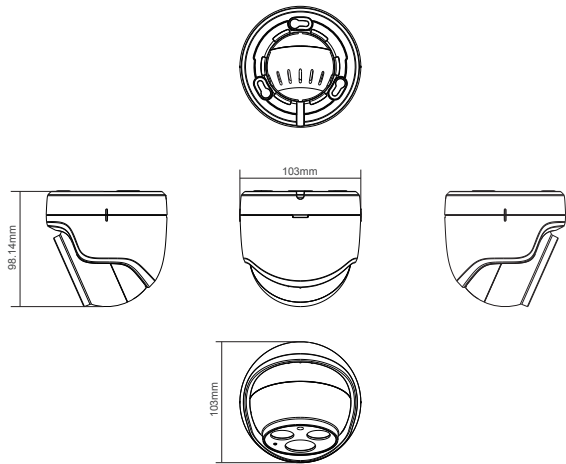
JVS-N925-HY



## Features

- Resolution 1920x1080@30fps.
- 2x Array IR LEDs, IR Range up to 25m.
- Support CloudSEE APP on iOS/Android.
- ONVIF 2.4, Compatible with ONVIF Recorder.
- 2.8mm wide angle lens.
- Built-in Microphone

## Dimension



## Specifications

Model	JVS-N925-HY
<b>Video</b>	
Image Sensor	1/ 2.7" CMOS
Max Resolution	1920 x 1080
Effective Pixels	2.0MP
Compression Standard	H.265/H.264
Maximum Frame Rate	1080p@30fps
SNR(dB)	38.6dB
Bit Rate	128Kbps ~ 8Mbps
Illumination	0Lux (IR ON)
<b>Lens</b>	
Lens	2.8mm
Viewing Angle	H: 92.5°; V: 59.9°; D: 108.5°
IR-LEDs	2x Array IR LEDs
IR-Distance	Up to 25 Meters
<b>Function</b>	
Motion Detection	Support
Email Alert	Support
Day & Night	Support
Recording	Support (NVR, Windows PC, Smartphone)
DHCP	Support
FTP	Not Supported
Pan/Tilt	Not Supported
SD-Card	Not Supported
Privacy Mask	Support up to 4 areas
Exposure Control	Support
Image Adjustment	Support
Auto. White Balance	Support
Image Rotation	Support (Mirror/Flip)
Intercom	Not Supported
<b>Network</b>	
Ethernet	10M/100M Ethernet, RJ45 Port
Protocols	HTTP, TCP/IP, UDP, ICMP, RTSP, RTP, RTCP, SMTP, DHCP, DNS
Stream	2x Streams
LAN	Support
ONVIF	ONVIF 2.4
User	Up to 13 Users
Browser	IE8+
Smart Phone	iOS/Android
<b>General</b>	
Dimensions(W*H*D)	102x100x90mm
Weights	210g
Material	Plastic
Working Temperature	-20°C ~ 60°C
Humidity	RH 10% ~ 90%
Power Supply	DC12V/2A, PoE (IEEE 802.3af)
Consumption	Day ≅ 3W Night ≅ 9W
Waterproof	NO

# IPC 2MP H.265 Bullet Camera



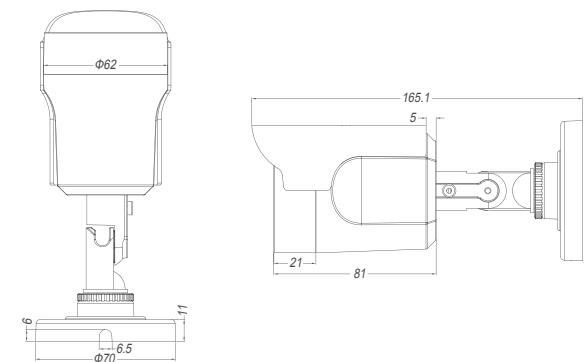
JVS-N815-YWC-R2



## Features

- Resolution 1920x1080@20fps.
- Ingress Protection IP66.
- 12x IR-LED, Up to 25 Meters.
- Supports CloudSEE APP on iOS/Android.
- ONVIF 2.4, Compatible with ONVIF Recorder.

## Dimension



## Specifications

Model	JVS-N815-YWC-R2
<b>Video</b>	
Image Sensor	1/ 2.7" CMOS
Max Resolution	1920 x 1080
Effective Pixels	2.0MP
Compression Standard	H.265/H.264
Maximum Frame Rate	1080p@20fps
SNR(dB)	40dB
Bit Rate	128Kbps ~ 8Mbps
Illumination	0Lux (IR ON)
<b>Lens</b>	
Lens	3.6mm
Viewing Angle	3.6 mm: 96°
IR-LEDs	14μ x 12 LEDs
IR-Distance	Up to 25 Meters
<b>Function</b>	
Motion Detection	Support
Email Alert	Support
Day & Night	Support
Recording	Support (NVR, Windows PC, Smartphone)
DHCP	Support
FTP	Not Supported
Pan/Tilt	Not Supported
SD-Card	Not Supported
Privacy Mask	Support up to 4 areas
Exposure Control	Support
Image Adjustment	Support
Auto. White Balance	Support
Image Rotation	Support (Mirror/Flip)
<b>Network</b>	
Ethernet	10M/100M Ethernet, RJ45 Port
Protocols	HTTP, TCP/IP, UDP, ICMP, RTSP, RTP, RTCP, SMTP, DHCP, DNS
Stream	2x Streams
Wi-Fi	Not Supported
LAN	Support
ONVIF	ONVIF 2.4
User	Up to 13 Users
Browser	IE8+
Smart Phone	iOS/Android
<b>General</b>	
Dimensions(W*H*D)	Φ70*165.1mm
Weights	190g
Material	Plastic
Working Temperature	-10°C ~ 50°C
Humidity	RH 10% ~ 90%
Power Supply	DC12V/2A, PoE (Optional)
Consumption	Day ≅ 2W Night ≅ 6W
Waterproof	IP66



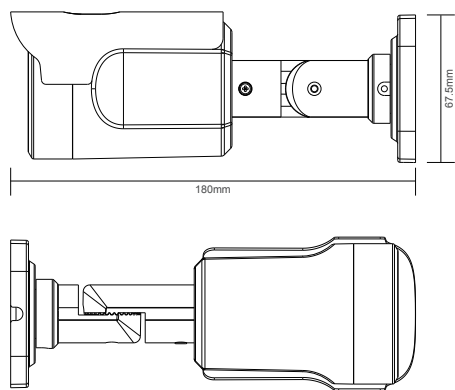
JVS-N812SL-YWS



## Features

- Resolution 1920x1080@30fps.
- Sony 2.0MP CMOS.
- With Starlight feature.
- Ingress Protection IP66.
- 18x IR-LED, Up to 30m.
- Supports CloudSEE APP on iOS/Android.
- ONVIF 2.4, Compatible with ONVIF Recorder.
- Support Behavior analysis.

## Dimension



## Specifications

Model	JVS-N812SL-YWS
<b>Video</b>	
Image Sensor	1/2.9" CMOS
Max Resolution	1920 x 1080
Effective Pixels	2.0MP
Compression Standard	H.265/H.264
Maximum Frame Rate	1080p@25fps
SNR(dB)	38.4dB
Bit Rate	128Kbps ~ 8Mbps
Illumination	0.05Lux
<b>Lens</b>	
Lens	3.6mm
Viewing Angle	3.6 mm: 94°
IR-LEDs	14μ x 18 LEDs
IR-Distance	Up to 30 Meters
<b>Function</b>	
Motion Detection	Support
Email Alert	Support
Day & Night	Support
Recording	Support (NVR, Windows PC, Smartphone)
DHCP	Support
FTP	Not Supported
Pan/Tilt	Not Supported
SD-Card	Not Supported
Privacy Mask	Support up to 4 areas
Exposure Control	Support
Image Adjustment	Support
Auto. White Balance	Support
Image Rotation	Support (Mirror/Flip)
Behavior Analysis	Line crossing detection, intrusion detection, people counting
<b>Network</b>	
Ethernet	10M/100M Ethernet, RJ45 Port
Protocols	HTTP, TCP/IP, UDP, ICMP, RTSP, RTP, RTCP, SMTP, DHCP, DNS
Stream	2x Streams
Wi-Fi	Not Supported
LAN	Support
ONVIF	ONVIF 2.4
User	Up to 13 Users
Browser	IE8+
Smart Phone	iOS/Android
<b>General</b>	
Dimensions(W*H*D)	φ69x180mm
Weights	420g
Material	Metal
Working Temperature	-20°C ~ 60°C
Humidity	RH 10% ~ 90%
Power Supply	DC12V/2A, PoE (Optional)
Consumption	Day ≅ 2W Night ≅ 8W
Waterproof	IP66



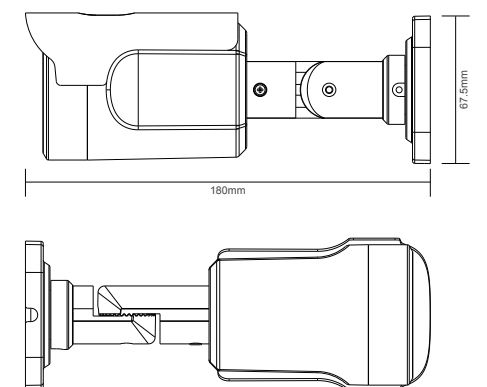
JVS-N815-YWS-R2



## Features

- Resolution 1920x1080@20fps
- Ingress Protection IP66
- 18x IR-LED, Up to 30 Meters
- Supports CloudSEE APP on iOS/Android
- ONVIF 2.4, Compatible with ONVIF Recorder

## Dimension



## Specifications

Model	JVS-N815-YWS-R2
<b>Video</b>	
Image Sensor	1/2.7" CMOS
Max Resolution	1920 x 1080
Effective Pixels	2.0MP
Compression Standard	H.265/H.264
Maximum Frame Rate	1080p@20fps
SNR(dB)	40dB
Bit Rate	128Kbps ~ 8Mbps
Illumination	0Lux (IR ON)
<b>Lens</b>	
Lens	3.6mm
Viewing Angle	3.6 mm: 96°
IR-LEDs	14μ x 18 LEDs
IR-Distance	Up to 30 Meters
<b>Function</b>	
Motion Detection	Support
Email Alert	Support
Day & Night	Support
Recording	Support (NVR, Windows PC, Smartphone)
DHCP	Support
FTP	Not Supported
Pan/Tilt	Not Supported
SD-Card	Not Supported
Privacy Mask	Support up to 4 areas
Exposure Control	Support
Image Adjustment	Support
Auto. White Balance	Support
Image Rotation	Support (Mirror/Flip)
<b>Network</b>	
Ethernet	10M/100M Ethernet, RJ45 Port
Protocols	HTTP, TCP/IP, UDP, ICMP, RTSP, RTP, RTCP, SMTP, DHCP, DNS
Stream	2x Streams
Wi-Fi	Not Supported
LAN	Support
ONVIF	ONVIF 2.4
User	Up to 13 Users
Browser	IE8+
Smart Phone	iOS/Android
<b>General</b>	
Dimensions(W*H*D)	φ69x180mm
Weights	420g
Material	Metal
Working Temperature	-20°C ~ 60°C
Humidity	RH 10% ~ 90%
Power Supply	DC12V/2A, PoE (optional)
Consumption	Day ≅ 3W Night ≅ 6W
Waterproof	IP66

# IPC 2MP H.265 Dual-light Source Bullet Camera



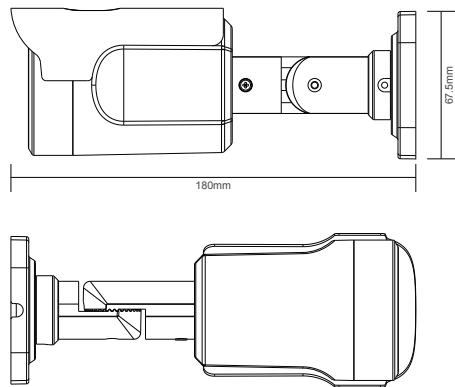
JVS-N816-YWS



## Features

- Resolution 1920x1080@30fps.
- Sony Starvis CMOS sensor.
- With Starlight feature.
- 18x IR-LED, Up to 30 Meters.
- Supports CloudSEE APP on iOS/Android.
- ONVIF 2.4, Compatible with ONVIF Recorder.
- LED and IR Dual-light sources.

## Dimension



## Specifications

Model	JVS-N816-YWS
<b>Video</b>	
Image Sensor	1/2.8" CMOS
Max Resolution	1920 x 1080
Effective Pixels	2.0MP
Compression Standard	H.265/H.264
Maximum Frame Rate	1080p@20fps
SNR(dB)	52dB
Bit Rate	128Kbps ~ 8Mbps
Illumination	0Lux (IR ON)
<b>Lens</b>	
Lens	3.6mm
Viewing Angle	3.6 mm: 104°
IR-LEDs	14μ x 18 LEDs
IR-Distance	Up to 30 Meters
<b>Function</b>	
Motion Detection	Support
Email Alert	Support
Day & Night	Support
Recording	Support (NVR, Windows PC, Smartphone)
DHCP	Support
FTP	Not Supported
Pan/Tilt	Not Supported
SD-Card	Not Supported
Privacy Mask	Support up to 4 areas
Exposure Control	Support
Image Adjustment	Support
Auto. White Balance	Support
Image Rotation	Support (Mirror/Flip)
<b>Network</b>	
Ethernet	10M/100M Ethernet, RJ45 Port
Protocols	HTTP, TCP/IP, UDP, ICMP, RTSP, RTP, RTCP, SMTP, DHCP, DNS
Stream	2x Streams
Wi-Fi	Not Supported
LAN	Support
ONVIF	ONVIF 2.4
User	Up to 13 Users
Browser	IE8+
Smart Phone	iOS/Android
<b>General</b>	
Dimensions(W*H*D)	φ69x180mm
Weights	420g
Material	Metal
Working Temperature	-20°C ~ 60°C
Humidity	RH 10% ~ 90%
Power Supply	DC12V/2A
Consumption	Day ≅ 2W Night ≅ 8W
Waterproof	IP66

# IPC 2MP H.265 Bullet Camera



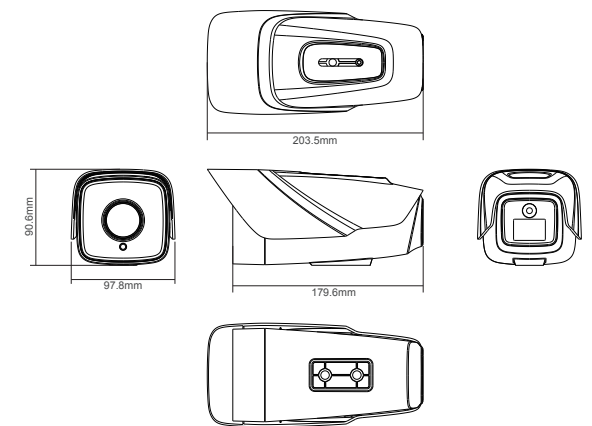
JVS-N815-HY



## Features

- Resolution 1920x1080@30fps.
- Ingress Protection IP67.
- 4Pcs Array LEDs, IR Rnd up to 50m.
- Supports CloudSEE APP on iOS/Android.
- ONVIF 2.4, Compatible with ONVIF Recorder.

## Dimension



## Specifications

Model	JVS-N815-HY
<b>Video</b>	
Image Sensor	1/2.9" CMOS
Max Resolution	1920 x 1080
Effective Pixels	2.0MP
Compression Standard	H.265/H.264
Maximum Frame Rate	1080p@30fps
SNR(dB)	40dB
Bit Rate	128Kbps ~ 8Mbps
Illumination	0Lux (IR ON)
<b>Lens</b>	
Lens	4mm
Viewing Angle	H: 88.4°; V: 47°; D: 105.2°
IR-LEDs	4pcs Array IR LEDs
IR-Distance	Up to 50 Meters
<b>Function</b>	
Motion Detection	Support
Email Alert	Support
Day & Night	Support
Recording	Support (NVR, Windows PC, Smartphone)
DHCP	Support
FTP	Not Supported
Pan/Tilt	Not Supported
SD-Card	Not Supported
Privacy Mask	Support up to 8 areas
Exposure Control	Support
Image Adjustment	Support
Auto. White Balance	Support
Image Rotation	Support (Mirror/Flip)
<b>Network</b>	
Ethernet	10M/100M Ethernet, RJ45 Port
Protocols	HTTP, TCP/IP, UDP, ICMP, RTSP, RTP, RTCP, SMTP, DHCP, DNS
Stream	2x Streams
Wi-Fi	Not Supported
LAN	Support
ONVIF	ONVIF 2.4
User	Up to 13 Users
Browser	IE8+
Smart Phone	iOS/Android
<b>General</b>	
Dimensions(W*H*D)	201x96x88 mm
Weights	580g
Material	Aluminum for black part and plastic for white part
Working Temperature	-20°C ~ 60°C
Humidity	RH 10% ~ 90%
Power Supply	DC12V/2A
Consumption	Day ≅ 3W Night ≅ 8W
Waterproof	IP67



# IPC 2MP H.265 Bullet Camera



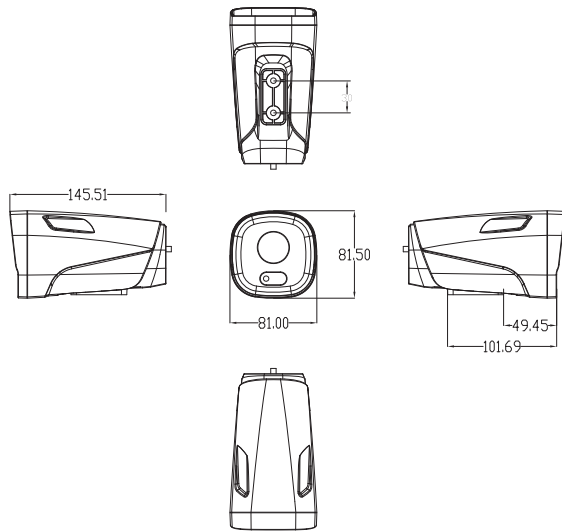
JVS-N813-LYC



## Features

- Resolution 1920x1080@30fps
- 1 High Power IR-LED, Up to 25 Meters
- Supports CloudSEE APP on iOS/Android
- ONVIF 2.4, Compatible with ONVIF Recorder
- Support Behavior analysis.

## Dimension



## Specifications

Model	JVS-N813-LYC
<b>Video</b>	
Image Sensor	1/2.9" CMOS
Max Resolution	1920 x 1080
Effective Pixels	2.0MP
Compression Standard	H.265/H.264
Maximum Frame Rate	1080p@30fps
SNR(dB)	40dB
Bit Rate	128Kbps ~ 8Mbps
Illumination	0.05Lux (IR OFF)/0Lux (IR ON)
<b>Lens</b>	
Lens	3.6mm
Viewing Angle	3.6 mm : 96°
IR-LEDs	28μ x 1 LED
IR-Distance	Up to 25 Meters
Focus Control	Manual
<b>Function</b>	
Motion Detection	Support
Email Alert	Support
Day & Night	Support
Recording	Support (NVR, Windows PC, Smartphone)
DHCP	Support
Pan/Tilt	Not Supported
SD-Card	Not Supported
Privacy Mask	Support up to 8 areas
Exposure Control	Support
Image Adjustment	Support
Auto. White Balance	Support
Image Rotation	Support (Mirror/Flip)
Intercom	Not Supported
FTP	Not Supported
Intelligent	Regional invasion, Cross-line detection, Traffic statistics
<b>Network</b>	
Ethernet	10M/100M Ethernet, RJ45 Port
Protocols	HTTP, TCP/IP, UDP, ICMP, RTSP, RTP, RTCP, SMTP, DHCP, DNS
Stream	2x Streams
Wi-Fi	Not Supported
LAN	Support
ONVIF	ONVIF 2.4
User	Up to 13 Users
Browser	IE8+
Smart Phone	iOS/Android
<b>General</b>	
Dimensions(W*H*D)	145*81*81
Weights	160g
Material	Plastic
Working Temperature	-20°C ~ 60°C
Humidity	RH 10% ~ 90%
Power Supply	DC12V/1A, PoE (Optional)
Consumption	Day ≅ 2W Night ≅ 6W
Waterproof	IP66

# IPC 2MP H.265 Soft Light Full Color Camera



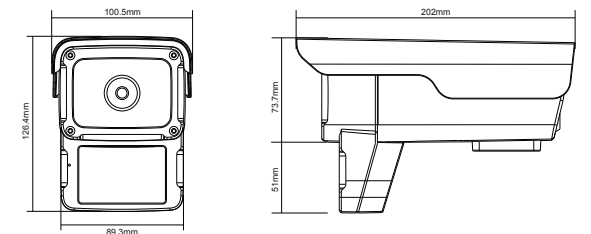
JVS-N816-LYS



## Features

- Resolution 1920x1080@30fps
- Colorful day & night vision, LED brightness self-adjusted, and automatic white balance;
- OSD font adjustable, and large font included;
- Support coding & exposure enhancement of ROI;
- Support video adjustment, image rotation, DWDR;

## Dimension



## Specifications

Model	JVS-N816-LYS
<b>Video</b>	
Image Sensor	1/2.7" CMOS
Max Resolution	1920 x 1080
Effective Pixels	2.0MP
Compression Standard	H.265/H.264
Maximum Frame Rate	1080p@25fps
SNR(dB)	38.6dB
Bit Rate	128Kbps ~ 8Mbps
Illumination	0Lux (LED ON)
<b>Lens</b>	
Lens	3.6mm
Viewing Angle	100°
LEDs	6x Soft light LEDs
LED Distance	Up to 30 Meters
<b>Function</b>	
Motion Detection	Support
Email Alert	Support
Day & Night	Support
Recording	Support (NVR, Windows PC, Smartphone)
DHCP	Support
Advanced OSD	Support OSD large font function, OSD and time to set the position separately, 5 lines x 32 characters
Behavior analysis	Regional intrusion, traffic statistics, video occlusion
Day and night function	Full Color
Privacy Mask	Support up 8 areas
Exposure Control	Support
Image Adjustment	Support
Auto. White Balance	Support
Image Rotation	Support (Mirror/Flip)
LED brightness	Automatic adjustment
<b>Network</b>	
Ethernet	10M/100M Ethernet, RJ45 Port
Protocols	HTTP, TCP/IP, UDP, ICMP, RTSP, RTP, RTCP, SMTP, DHCP, DNS
Stream	2x Streams
Wi-Fi	Not Supported
LAN	Support
ONVIF	ONVIF 2.4
User	Up to 13 Users
Browser	IE8+
Smart Phone	iOS/Android
<b>General</b>	
Dimensions(W*H*D)	145*81*81
Weights	160g
Material	Plastic
Working Temperature	-20°C ~ 60°C
Humidity	RH 10% ~ 90%
Power Supply	DC12V/1A, PoE (Optional)
Consumption	Day ≅ 2W Night ≅ 6W
Waterproof	IP66



JVS-N81-PLUS



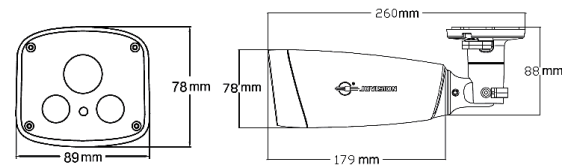
Features

- 1/3" 2.0MP CMOS.
- 2.0MP@30fps.
- With Starlight function.
- Smart IR Range Up to 25m.
- Low Bitrate, Excellent low light performance.
- 3D DNR.
- ROI, Defog, HLC, Corridor mode.
- EZ-Install Series.

Specifications

Model	JVS-N81-PLUS
Camera	
Image Sensor	1/2.7" Progressive 2MP CMOS
Min. illumination	0LUX(IR ON)
Day & Night	IR cut filter with auto switch
Auto Iris	Not Support
Wide Dynamic Range	DWDR
Digital Noise Reduction	3D DNR
Lens	4mm (F2.0)
FOV	H: 76.5°, V: 43.5° D: 91.5°
IR LED	2 Pcs Array LED
IR Range	Up to 25m
Image	
Video Compression	H.264
Bit Rate (CBR/VBR)	Main stream: 409kbps- 8 Mbps
Audio Compression	G.711a / G.711u
Max Resolution	1920x1080 @30fps
Image Setting	Rotate Mode, Saturation, Brightness, Contrast, Sharpness
Auto IP Configuration	Support
9:16 Corridor mode	Support
DIS	Auto
White Balance	Auto
Privacy Mask	Support 8 Rectangle Areas
DWDR	Support
ROI	Support
Defog	Support
Network	
Network Protocols	HTTP, TCP/IP, UDP/IP, ICMP, RTP, UDP, RTCP, SMTP, DHCP, DNS, CloudSEE.
Alarm Trigger	Motion Detection
RTSP Video	Standard RFC2326, Support QuickTime / VLC Player.
Security	User security authentication, Reset, Hardware Watch Dog
Web Language	Chinese, English, German
System Compatibility	ONVIF 2.4
Browser	IE8+
Interface	
Ethernet	1 RJ45 10M / 100M Ethernet
Audio I/O	1Ch Audio In
BNC Output	Not Support
Reset Button	Not Support
General	
Power Supply	DC12V/2A, PoE IEEE 802.3af
Power Consumption	<3W (During day) ; <6W (At night with IR)
Working Temperature	-20°C - +60°C
Working Humidity	0% - 90% Rh Non-Condensation
Dimensions(W*H*D)	89.3x78.5x 281.1(mm)
Product Weight	≤790g

Dimension



Accessory



JVS-N85-HK-PLUS



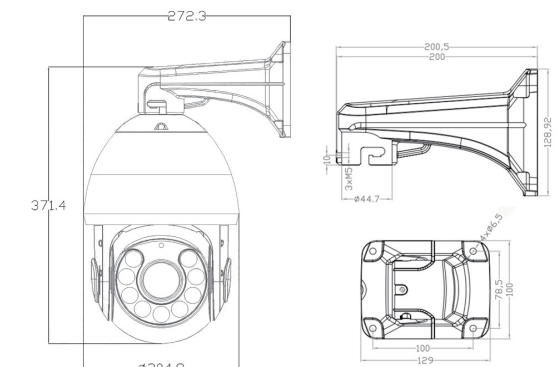
Features

- 20X optical zoom;
- WDR(DWDR), Day/Night(ICR), DNR (2D&3D),Auto iris, Auto focus, AWB, AGC,BLC;
- Multiple network monitoring: Web viewer, CMS & Mobile;
- Support system dual backup function to make sure no data lost when power off;
- Support power-off memory function, when re-power on, auto back to the before status;
- Support lightning protection, anti-surge, anti-surge function;

Specifications

Model	JVS-N85-HK-PLUS
Camera	
Image Sensor	1/2.8" Progressive Scan CMOS
Max Resolution	1920x1080
Effective Pixels	2.0 Mega Pixels
Optical Zoom	20x Zoom
Compression Standard	H.265/H.264
Maximum Frame Rate	Up to 30 fps
Bit Rate	128Kbps ~ 10Mbps
Illumination	0 Lux (IR ON)
Focus Control	Auto/Manual
Focus Length	4.7±5% ~ 94±5%mm, Optical Zoom 20X
Infrared	9pcs High Power Array LED
IR Distance	≥100m.
Function	
OSD	Support
DWDR	Support
Smart Defog	Support
ROI	Support
Privacy Mask	Support 4 Rectangle Areas
Motion Detection	Support
Video Adjust	Supports Contrast, Brightness, Saturation, Sharpness Adjustment
Audio	Support
Image Setting	Mirror, Rotate
Alarm	E-mail, Client
Network Protocols:	HTTP, TCP/IP, ICMP, RTSP, RTP, UDP, RTCP, SMTP, DHCP, DNS, CloudSEE.
System Compatibility	ONVIF 2.4
Remote Operation	System, Stream, User, Network, Management, PTZ Function
PTZ	
Pan/Tilt Range	Pan: 0° ~ 360°; Tilt: 0° ~ 90°
Pan Speed	Pan Speed: 0.6° ~ 200° /s
Tilt Speed	Tilt Speed: 3.5° ~ 35° /s
Manual Speed	High, Middle, Low
Number of Preset	128
Patrol	8 patrols, up to 32 presets per patrol
Scan	Patrol Scan, Pattern Scan, Tilt Scan, Frame Scan, Random Scan
Control	RS485/RG45
Communication	
Communication Protocol	Pelco-D
Communication interface	RS485
Baud Rate	1200/2400/4800/9600bps
Interface	
Ethernet	1 RJ45 10M / 100M Ethernet
Audio I/O	1ch Audio In
General	
Power Supply	DC15V/3A
Power Consumption	≤ 30W
Operating Temperature	-20°C ~ +60°C
Operating Humidity	0% - 95% Rh Non-Condensation
Ingress Protection	IP66
Product Dimensions	290*290*450mm
Product Weight	≤ 5500(g)

Dimension



# IPC 3MP H.265 Starlight EZ-Install Bullet Camera



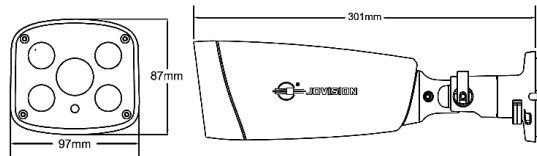
JVS-N4730DSL



## Features

- 1/2.8" 3.0MP CMOS.
- 3.0MP@30fps.
- Wide Dynamic Range (WDR).
- With Starlight function.
- Smart IR Range Up to 40m.
- Low Bitrate, Excellent low light performance.
- 3D DNR.
- ROI, Defog, HLC, Corridor mode.

## Dimension



## Accessory



## Specifications

Model	JVS-N4730DSL
<b>Camera</b>	
Image Sensor	1/2.8" Progressive 3.0MP CMOS
Min. illumination	0Lux with IR ON
Day & Night	IR cut filter with auto switch
Auto Iris	No
Wide Dynamic Range	WDR
Digital Noise Reduction	3D DNR
Lens	4/6 mm(F2.0)
FOV	4mm: H 79.2°, V 57.2°, D: 103.9° 6mm: H 49.3°, V 37°, D: 60.8°
IR LED	4 Pcs Array LED
IR Range	Up to 40m
<b>Image</b>	
Video Compression	H.264 / H.265
Bit Rate (CBR/VBR)	Main stream: 409kbps- 8 Mbps;
Max Resolution	2048x1520@30fps
Image Setting	Rotate Mode, Saturation, Brightness, Contrast, Sharpness
HLC	Support
9:16 Corridor mode	Support
DIS	Auto
ROI	Support
Defog	Support
<b>Network</b>	
Network Protocols	HTTP, TCP/IP, UDP/IP, ICMP, RTP, UDP, RTCP, SMTP, DHCP, DNS, CloudSEE.
Alarm Trigger	Motion Detection
RTSP Video	Standard RFC2326, Support QuickTime / VLC Player.
Security	User security authentication, Reset, Hardware Watch Dog
Web Language	English, Chinese, German
System Compatibility	ONVIF 2.4
Browser	IE8+
<b>Interface</b>	
Ethernet	1 RJ45 10M / 100M Ethernet
Audio I/O	1Ch Audio In
BNC Output	Not Support
Reset Button	Not Support
Edge Storage	Not Support
<b>General</b>	
Power Supply	DC12V/2A, PoE IEEE802.3af
Power Consumption	3W (During day) ; 6.5W (At night with IR)
Operating Temperature	-20 C - +60 C
Operating Humidity	0% - 90% Rh Non-Condensation
Product Dimensions	300.9x 97.3x 87(mm)
Product Weight	≤790(g)
Water proof	IP66

# IPC 3MP H.265 Starlight Dome Camera



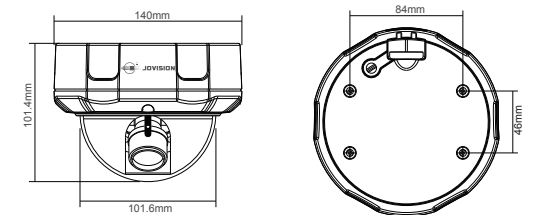
JVS-N4232SL



## Features

- Resolution 2048x1520@30fps
- Starlight function
- 3.6mm Lens with wide viewing angle
- 35x IR-LED, Up to 20 Meters
- Ingress Protection IP66
- Motion Detection with Email Alert
- CloudSEE Embedded
- ONVIF 2.4, Compatible with ONVIF Recorder

## Dimension



## Accessory



## Specifications

Model	JVS-N4232SL
<b>Video</b>	
Image Sensor	1/2.8" CMOS
Max Resolution	2048x1520
Effective Pixels	3.0 MP
Video Compression	H.265/H.264
Framerate (fps)	2048x1520@30fps
Bit Rate	409Kbps ~ 8Mbps
Illumination	0Lux (IR ON)
<b>Lens</b>	
Lens	3.6 mm
Viewing Angle	H: 79.2°, V: 57.2°, D: 103.9°
IR-Distance	Up to 20 Meters
IR-LEDs	35 Pcs
<b>Function</b>	
Email Alert	Support
Day& Night	Support
DWDR	Support
Defog	Support
White Balance	Auto
3D Noise Reduction	Support
Image Setting	Rotate Mode, Saturation, Brightness, Contrast, Sharpness
9:16 Corridor mode	Support
Privacy Mask	Support 8 Rectangle Areas
Auto IP Configuration	Support
Remote Control	System /Stream/ User/ Network Management
Auto White Balance	Support
Auto Exposure Control	Support
<b>Network</b>	
Ethernet	10M/100M Ethernet RJ45 Port
Stream	3X Streams
Wi-Fi	Not Support
ONVIF	ONVIF 2.4
User	Up to 13 Users
Browser	IE8+
Smart Phone	iOS/Android
Protocols	HTTP, TCP/IP, ICMP,RTSP, RTP, RTP, UDP, SMTP, DHCP, DNS
<b>General</b>	
Weights(g)	720g
Working Temperature	-20°C ~ 60°C
Humidity	10% ~ 90%
Power Supply	DC12V/2A, PoE IEEE 802.3af
Consumption	Day ≅ 3W Night ≅ 7W
Water Proof	IP66
Dimension(W*H*D)	139.9x101.4(mm)
Material	Aluminum



# IPC 3MP H.265 Starlight Dome Camera with MIC



JVS-N935SL-HY



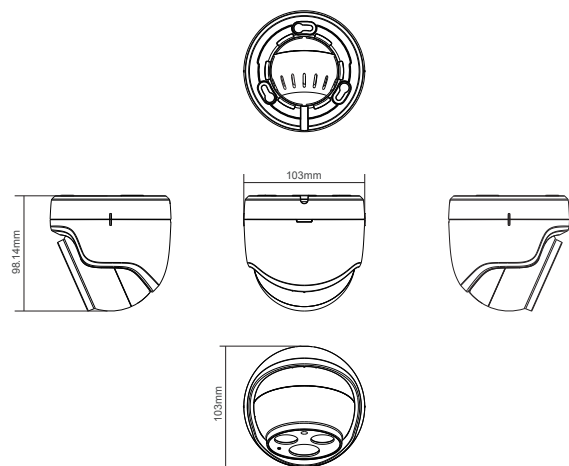
## Features

- Resolution 2048x1520@30fps.
- With Starlight function.
- 2x Array IR LEDs, IR Range up to 25m.
- Support CloudSEE APP on iOS/Android.
- ONVIF 2.4, Compatible with ONVIF Recorder.
- 2.8mm wide angle lens.

## Specifications

Model	JVS-N935SL-HY
<b>Video</b>	
Image Sensor	1/2.8" CMOS
Max Resolution	2048x1520
Effective Pixels	3.0MP
Compression Standard	H.265/H.264
Maximum Frame Rate	3.0MP@30fps
SNR(dB)	53.7dB
Bit Rate	128Kbps ~ 8Mbps
Illumination	0Lux (IR ON)
<b>Lens</b>	
Lens	2.8mm
Viewing Angle	H: 92.5°; V: 59.9°; D: 108.5°
IR-LEDs	2x Array IR LEDs
IR-Distance	Up to 25 Meters
<b>Function</b>	
Motion Detection	Support
Email Alert	Support
Day & Night	Support
Recording	Support (NVR, Windows PC, Smartphone)
DHCP	Support
Pan/Tilt	Not Supported
SD-Card	Not Supported
Privacy Mask	Support up to 8 areas
Exposure Control	Support
Image Adjustment	Support
Auto. White Balance	Support
Image Rotation	Support (Mirror/Flip)
Intercom	Not Supported
FTP	Not Supported
<b>Network</b>	
Ethernet	10M/100M Ethernet, RJ45 Port
Protocols	HTTP, TCP/IP, UDP, ICMP, RTSP, RTP, RTCP, SMTP, DHCP, DNS
Stream	2x Streams
LAN	Support
ONVIF	ONVIF 2.4
User	Up to 13 Users
Browser	IE8+
Smart Phone	iOS/Android
<b>General</b>	
Dimensions(W*H*D)	φ103*98mm
Weights	210g
Material	Plastic
Working Temperature	-20°C ~ 60°C
Humidity	RH 10% ~ 90%
Power Supply	DC12V/1.5A, PoE (IEEE 802.3af)
Consumption	Day ≅ 3W Night ≅ 9W
Waterproof	NO

## Dimension



# IPC 4MP H.265 Dome Camera with MIC



JVS-N945-HY



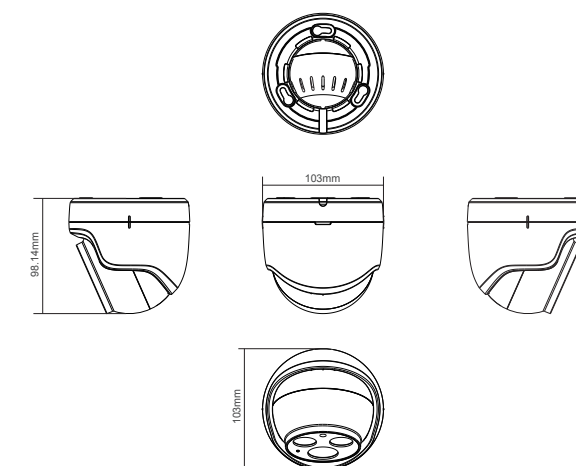
## Features

- Resolution 2592x1520@30fps
- 2x Array IR LEDs, IR Range up to 25m.
- Support CloudSEE APP on iOS/Android
- ONVIF 2.4, Compatible with ONVIF Recorder
- 2.8mm wide angle lens
- Built-in Microphone

## Specifications

Model	JVS-N945-HY
<b>Video</b>	
Image Sensor	1/3" CMOS
Max Resolution	2592x1520
Effective Pixels	4.0MP
Compression Standard	H.265/H.264
Maximum Frame Rate	2592x1520@30fps
SNR(dB)	38.6dB
Bit Rate	275Kbps ~ 8Mbps
Illumination	0Lux (IR ON)
<b>Lens</b>	
Lens	2.8mm
Viewing Angle	H: 92.5°; V: 59.9°; D: 108.5°
IR-LEDs	2x Array IR LEDs
IR-Distance	Up to 25 Meters
<b>Function</b>	
Motion Detection	Support
Email Alert	Support
Day & Night	Support
Recording	Support (NVR, Windows PC, Smartphone)
DHCP	Support
FTP	Not Supported
Pan/Tilt	Not Supported
SD-Card	Not Supported
Privacy Mask	Support up to 8 areas
Exposure Control	Support
Image Adjustment	Support
Auto. White Balance	Support
Image Rotation	Support (Mirror/Flip)
Intercom	Not Supported
<b>Network</b>	
Ethernet	10M/100M Ethernet, RJ45 Port
Protocols	HTTP, TCP/IP, UDP, ICMP, RTSP, RTP, RTCP, SMTP, DHCP, DNS
Stream	2x Streams
LAN	Support
ONVIF	ONVIF 2.4
User	Up to 13 Users
Browser	IE8+
Smart Phone	iOS/Android
<b>General</b>	
Dimensions(W*H*D)	102x100x90mm
Weights	210g
Material	Plastic
Working Temperature	-20°C ~ 60°C
Humidity	RH 10% ~ 90%
Power Supply	DC12V/1A, PoE (IEEE 802.3af)
Consumption	Day ≅ 3W Night ≅ 9W
Waterproof	NO

## Dimension



# IPC 4MP H.265 Vandalproof Dome Camera



JVS-N4242



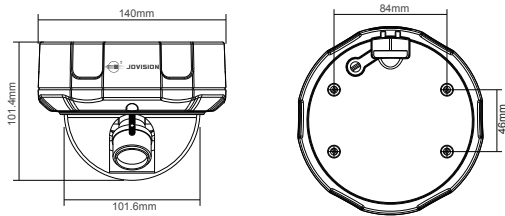
## Features

- Resolution 2048x1520@30fps
- Starlight function
- 3.6mm Lens with wide viewing angle
- 35x IR-LED, Up to 20 Meters
- Ingress Protection IP66
- Motion Detection with Email Alert
- CloudSEE Embedded
- ONVIF 2.4, Compatible with ONVIF Recorder

## Specifications

Model	JVS-N4242
<b>Video</b>	
Image Sensor	1/2.9" CMOS
Max Resolution	2592x1520
Effective Pixels	4.0 MP
Video Compression	H.265/ H.264
Framerate (fps)	2592x1520@30fps
Bit Rate	128Kbps~8Mbps
Illumination	0Lux (IR ON)
<b>Lens</b>	
Lens	3.6 mm
Viewing Angle	H: 79.6°, V: 47.7°, D: 97.8°
IR-Distance	Up to 20 Meters
IR-LEDs	35 Pcs
<b>Function</b>	
Email Alert	Support
Day& Night	Support
DWDR	Support
Defog	Support
White Balance	Auto
3D Noise Reduction	Support
Image Setting	Rotate Mode, Saturation, Brightness, Contrast, Sharpness
9:16 Corridor mode	Support
Privacy Mask	Support 8 Rectangle Areas
Auto IP Configuration	Support
Remote Control	System /Stream/ User/ Network Management
Auto White Balance	Support
Auto Exposure Control	Support
<b>Network</b>	
Ethernet	10M/100M Ethernet RJ45 Port
Stream	3X Streams
Wi-Fi	Not Support
ONVIF	ONVIF 2.4
User	Up to 13 Users
Browser	IE8+
Smart Phone	iOS/Android
Protocols	HTTP, TCP/IP, ICMP,RTSP, RTP, UDP, SMTP, DHCP, DNS
<b>General</b>	
Weights(g)	720g
Working Temperature	-20°C ~ 60°C
Humidity	10% ~ 90%
Power Supply	DC12V/2A, PoE IEEE 802.3af
Consumption	Day ≦3W Night ≦ 7W
Water Proof	IP66
Dimension(W*H*D)	139.9x101.4(mm)
Material	Aluminum

## Dimension



## Accessory



# IPC 5MP H.265 Vandalproof Dome Camera



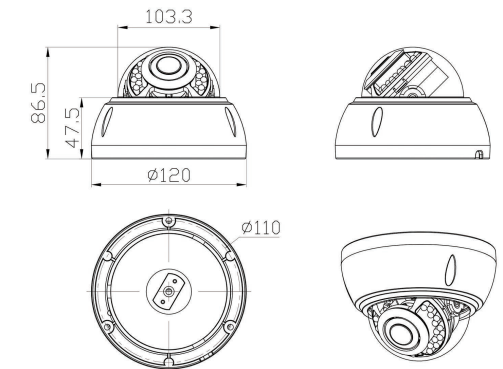
JVS-N3052



## Features

- Resolution 2592x1520@30fps.
- Ingress Protection IP66.
- PoE IEEE 802.3af.
- 18x IR-LED, Up to 20 Meters.
- Supports CloudSEE APP on iOS/Android.
- ONVIF 2.4, Compatible with ONVIF Recorder.

## Dimension



## Accessory



## Specifications

Model	JVS-N3052
<b>Video</b>	
Image Sensor	1/ 3" CMOS
Max Resolution	2592x1520
Effective Pixels	5.0MP
Compression Standard	H.265/H.264
Maximum Frame Rate	2592x1520@30fps
SNR(dB)	38.6dB
Bit Rate	Main: 261~8192Kbps Sub:87~3480Kbps
Illumination	0Lux (IR ON)
<b>Lens</b>	
Lens	3.6mm
Viewing Angle	3.6 mm: H 79.6°, V 47.7°, D: 97.8°
IR-LEDs	18 LEDs
IR-Distance	Up to 20 Meters
<b>Function</b>	
Motion Detection	Support
Email Alert	Support
Day& Night	Support
Recording	Support (NVR, Windows PC, Smartphone)
DHCP	Support
Pan/Tilt	Not Supported
Audio Input	Support (Ext. Mic)
Audio Codec	Support (G711A/G711U)
SD-Card	Not Supported
Privacy Mask	Support up to 4 areas
Exposure Control	Support
Image Adjustment	Support
Auto. White Balance	Support
Image Rotation	Support (Mirror/Flip)
Intercom	Not Supported
FTP	Not Supported
<b>Network</b>	
Ethernet	10M/100M Ethernet, RJ45 Port
Protocols	HTTP, TCP/IP,UDP, ICMP, RTSP, RTP, RTCP, SMTP, DHCP, DNS
Stream	2x Streams
Wi-Fi	Not Supported
LAN	Support
ONVIF	ONVIF 2.4
User	Up to 13 Users
Browser	IE8+, Chrome18+ ~ 42-
Smart Phone	iOS/Android
<b>General</b>	
Dimensions	φ120x90 (mm)
Weights	500g
Material	Aluminum
Working Temperature	-20°C ~ 60°C
Humidity	RH 10% ~ 90%
Power Supply	DC12V/1.5A, PoE (IEEE 802.3af)
Consumption	Day ≦3W Night ≦ 7W
Waterproof	IP66



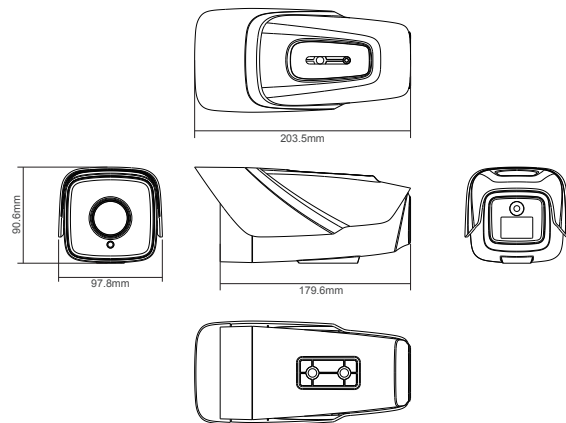
JVS-N515-HY



Features

- Resolution 2592x1944@20fps.
- Ingress protection IP67.
- 4Pcs Array IR LEDs, IR Rand up to 50m.
- Supports CloudSEE APP on iOS/Android.
- ONVIF 2.4, Compatible with ONVIF Recorder.

Dimension



Specifications

Model	JVS-N515-HY
<b>Video</b>	
Image Sensor	1/3" CMOS
Max Resolution	2592x1944
Effective Pixels	5.0MP
Compression Standard	H.265/H.264
Maximum Frame Rate	5.0MP@20fps
SNR(dB)	38.6dB
Bit Rate	128Kbps ~ 8Mbps
Illumination	0Lux (IR ON)
<b>Lens</b>	
Lens	4mm
Viewing Angle	H: 88.4°; V: 47°; D: 105.2°
IR-LEDs	4Pcs Array IR LEDs
IR-Distance	Up to 50 Meters
<b>Function</b>	
Motion Detection	Support
Email Alert	Support
Day& Night	Support
Recording	Support (NVR, Windows PC, Smartphone)
DHCP	Support
FTP	Not Supported
Pan/Tilt	Not Supported
SD-Card	Not Supported
Privacy Mask	Support up to 8 areas
Exposure Control	Support
Image Adjustment	Support
Auto. White Balance	Support
Image Rotation	Support (Mirror/Flip)
<b>Network</b>	
Ethernet	10M/100M Ethernet, RJ45 Port
Protocols	HTTP, TCP/IP, UDP, ICMP, RTSP, RTP, RTCP, SMTP, DHCP, DNS
Stream	2x Streams
LAN	Support
ONVIF	ONVIF 2.4
User	Up to 13 Users
Browser	IE8+
Smart Phone	iOS/Android
<b>General</b>	
Dimensions(W*H*D)	201x96x88 mm
Weights	580g
Material	Aluminum for black part and plastic for white part
Working Temperature	-20°C ~ 60°C
Humidity	RH 10% ~ 90%
Power Supply	DC12V/1.5A
Consumption	Day ≅ 3W Night ≅ 8W
Waterproof	IP67



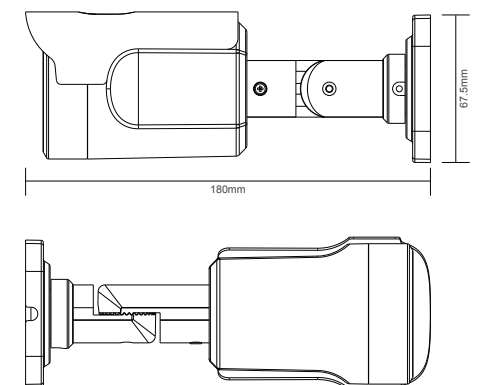
JVS-N510-YWS



Features

- Resolution 2592x1944@20fps.
- 18x IR-LED, Up to 30 Meters.
- Ingress Protection IP66.
- Supports CloudSEE APP on iOS/Android.
- ONVIF 2.4, Compatible with ONVIF Recorder.

Dimension



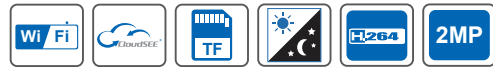
Specifications

Model	JVS-N510-YWS
<b>Video</b>	
Image Sensor	1/3" CMOS
Max Resolution	2592x1944
Effective Pixels	5.0MP
Compression Standard	H.265/H.264
Maximum Frame Rate	5.0MP@20fps
SNR(dB)	38.6dB
Bit Rate	128Kbps ~ 8Mbps
Illumination	0Lux (IR ON)
<b>Lens</b>	
Lens	3.6mm
Viewing Angle	3.6 mm: 104°
IR-LEDs	14μ x 18 LEDs
IR-Distance	Up to 30 Meters
<b>Function</b>	
Motion Detection	Support
Email Alert	Support
Day& Night	Support
Recording	Support (NVR, Windows PC, Smartphone)
DHCP	Support
FTP	Not Supported
Pan/Tilt	Not Supported
SD-Card	Not Supported
Privacy Mask	Support up to 4 areas
Exposure Control	Support
Image Adjustment	Support
Auto. White Balance	Support
Image Rotation	Support (Mirror/Flip)
<b>Network</b>	
Ethernet	10M/100M Ethernet, RJ45 Port
Protocols	HTTP, TCP/IP, UDP, ICMP, RTSP, RTP, RTCP, SMTP, DHCP, DNS
Stream	2x Streams
Wi-Fi	Not Supported
ONVIF	ONVIF 2.4
User	Up to 13 Users
Browser	IE8+
Smart Phone	iOS/Android
<b>General</b>	
Dimensions(W*H*D)	φ69x180mm
Weights	420g
Material	Metal
Working Temperature	-20°C ~ 60°C
Humidity	RH 10% ~ 90%
Power Supply	DC12V/1.5A, PoE IEEE 802.3af
Consumption	Day ≅ 2W; Night ≅ 8W
Waterproof	IP66





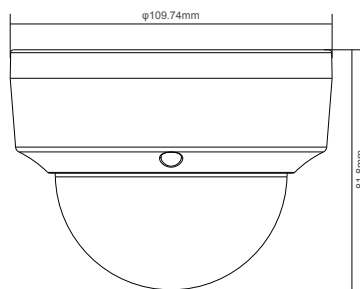
JVS-N3622-WF



Features

- Resolution 1920x1080
- With IR LED and IR-CUT, monitoring day and night
- 2.4Ghz Wi-Fi and 10/100M RJ45 Port
- Supports smartphone remote viewing
- Ingress Protection IP65
- Support 128GB SD Card

Dimension



Specifications

Model	JVS-N3622-WF
<b>Video</b>	
Image Sensor	1/ 2.7" CMOS
Max Resolution	1920 x 1080
Effective Pixels	2.0MP
Compression Standard	H.264
Maximum Frame Rate	1080p@20fps
SNR (dB)	38.6dB
Bit Rate	40~8192 Kbps
Illumination	0Lux (IR ON)
<b>Lens</b>	
Lens	Fixed 4 mm
Viewing Angle	H: 79.6°, V: 47.7°, D: 97.8°
IR-LEDs	15Pcs IR LEDs
IR-Distance	10 Meters
<b>Function</b>	
Motion Detection	Support
Email Alert	Support
Day & Night	Support
Storage	Support up to 128G
Pan/Tilt	Not Supported
Audio Input	Support (Need Audio Pickup)
Audio Codec	Support (G.711A/G.711U)
Privacy Mask	Support up to 4 areas
Exposure Control	Support
Image Adjustment	Support
Auto. White Balance	Support
Image Rotation	Support (Mirror/Flip)
Two-Way Talk	Not Support
Reset	Reset Button on cable
<b>Network</b>	
Ethernet	10M/100M Ethernet, RJ45 Port
Protocols	HTTP, TCP/IP, UDP, ICMP, SMTP, DHCP, DNS
Stream	2x Streams
Wi-Fi	Wi-Fi (IEEE802.11b/g/n), Dual 2.4Ghz Antenna
LAN	Support
Smart Phone	iOS/Android
<b>General</b>	
Dimensions (WxHxD)	Φ109.74*81.8mm
Weights	370g
Material	Aluminum&Plastic
Working Temperature	-20°C ~ 50°C
Humidity	RH 10% ~ 90%
Power Supply	DC12V/2A
Consumption	Day ≤ 3W; Night ≤ 6W
Installation	Wall/Ceiling Mounting



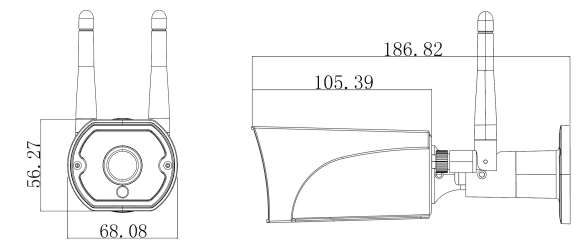
JVS-N815-WF



Features

- Resolution 1920x1080
- With IR LED and IR-CUT, monitoring day and night
- Two-way talk
- Dual antenna 2.4Ghz Wi-Fi and 10/100M RJ45 Port
- Supports smartphone remote viewing
- Ingress Protection IP66
- Support 128GB SD Card

Dimension



Specifications

Model	JVS-N815-WF
<b>Video</b>	
Image Sensor	1/ 2.7" CMOS
Max Resolution	1920 x 1080
Effective Pixels	2.0MP
Compression Standard	H.265/H.264
Maximum Frame Rate	1080p@20fps
SNR(dB)	40dB
Bit Rate	40~8192 Kbps
Illumination	0Lux (IR ON)
<b>Lens</b>	
Lens	Fixed 4 mm
Viewing Angle	H: 87.4°, V: 47°, D: 104°
IR-LEDs	18Pcs IR LEDs
IR-Distance	15 Meters
<b>Function</b>	
Motion Detection	Support
Email Alert	Support
Day & Night	Support
Storage	Support up to 128G
Pan/Tilt	Not Supported
Audio Input	Support (Built-in Mic)
Audio Codec	Support (G711A/G711U)
Privacy Mask	Support up to 4 areas
Exposure Control	Support
Image Adjustment	Support
Auto. White Balance	Support
Image Rotation	Support (Mirror/Flip)
Two-Way Talk	Support
<b>Network</b>	
Ethernet	10M/100M Ethernet, RJ45 Port
Protocols	HTTP, TCP/IP, UDP, ICMP, SMTP, DHCP, DNS
Stream	2x Streams
Wi-Fi	Wi-Fi (IEEE802.11b/g/n), Dual 2.4Ghz Antenna
LAN	Support
Smart Phone	iOS/Android
<b>General</b>	
Dimensions (WxHxD)	186.82x56.27x68.08mm
Weights	350g
Material	Aluminum
Working Temperature	-20°C ~ 55°C
Humidity	RH 10% ~ 90%
Power Supply	DC12V/1A
Consumption	Day ≤ 3W; Night ≤ 6W
Installation	Wall/Ceiling Bracket Mounting



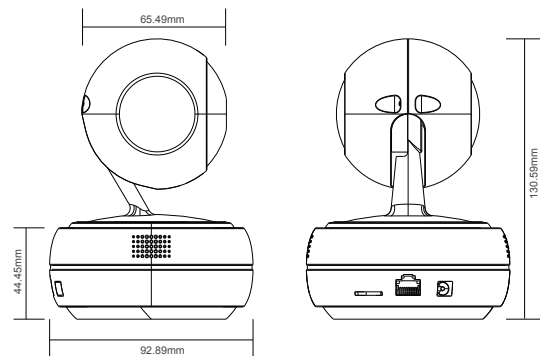
JVS-HC301E



Features

- Network plug & play, no need for DDNS, no need for port mapping and no need for static IP
- Previewing/playback resolution 1920x1080.
- With IR LED Lights and IR-CUT, monitoring day and night.
- Supports iPhone, iPad, Android Phone remote viewing
- Supports two-way talk
- Wi-Fi

Dimension



Specifications

Model	JVS-HC301E
<b>Video</b>	
Image Sensor	1/2.7" 2.0MP CMOS
Max Resolution	Up to 1920x1080
Effective Pixels	2.0 MP
Compression Standard	H.264
Framerate (fps)	Up to 20 fps
Bitrate	40Kbps~6Mbps
Illumination	0Lux (IR ON)
<b>Lens</b>	
Interface Type	M12
Lens	Fixed 4mm
Viewing Angle	H: 70.4°, V: 51.4°, D: 105.8°
Focusing System	Fixed
<b>Function</b>	
Privacy Masking	Supports 4 zone masking
Exposure Mode	Auto
Automatic Gain Control	Auto
White Balance	Auto
Motion Detection	Support
Day-Night Vision	IR-CUT, Supports color/black switch
Remote Control	System Management, Stream Management, Alarm Management, Network Management.
Detection Alarm	E-mail Alert, Client-end Alarm, Smartphone Message Alarm
Two-way Talk	Support
Storage	Up to 128GB
Pan/Tilt	Pan: 355° Tilt: 10°~90°
<b>Interface</b>	
Audio Input	1 Channel Internal MIC
Audio Output	1 Channel Internal Speaker
Ethernet Port	Support
TF Card	Support
Reset	Support
<b>Network</b>	
Wi-Fi	Wi-Fi(IEEE802.11b/g/n)
Stream	Dual stream
Protocols	TCP/IP, ICMP, UDP, SMTP, DHCP, DNS, PPPoE
<b>General</b>	
Network Transmission	Embedded with CloudSEE P2P Transmission Protocol
IR Light	6 pcs LED Lights
IR Distance	6m~12m
Working Temperature	-10 C ~ 55 C
Humidity	RH 10% ~ 90%
Power Supply	DC5V/1.5A
Consumption	≅ 3.65W
Color/Material	White/ABS+PC
Dimension(WxHxD)	92 x 92 x 130(mm)
Weight(g)	221g
Installation	Wall, Ceiling, Desktop



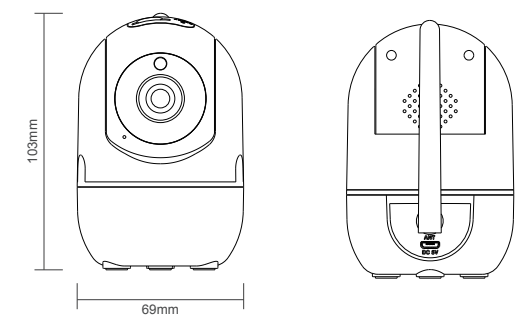
JVS-H810



Features

- Resolution 1920x1080.
- With IR LED Lights and IR-CUT, monitoring day and night.
- Supports smartphone remote viewing.
- Supports two-way talk.
- Wi-Fi IEEE802.11b/g/n.
- PAN and TILT.
- Support 128GB SD Card.

Dimension

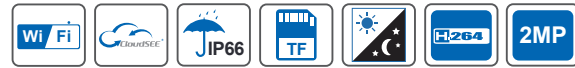


Specifications

Model	JVS-H810
<b>Video</b>	
Image Sensor	1/2.9" CMOS
Max Resolution	1920x1080
Effective Pixels	2.0 MP
Compression Standard	H.265/H.264
Maximum Frame Rate	1080p@20fps
Bitrate	128Kbps~2Mbps
Illumination	0Lux (IR ON)
<b>Lens</b>	
Interface Type	M12
Lens	3.6mm
Viewing Angle	H: 70.4°, V: 51.4°, D: 105.8°
IR Light	6Pcs IR LEDs
IR Distance	6m~12m
<b>Function</b>	
Exposure Mode	Auto
AGC	Auto
White Balance	Auto
Motion Detection	Support
Human form Detection	Support
Mobile tracking	Support
Day-Night Vision	IR-CUT, Supports color/black switch
Remote Control	System Management, Stream Management, Alarm Management, Network Management.
Detection Alarm	Client-end Alarm, Smartphone Message Alarm
Two-way Talk	Support
Storage	Support up to 128GB
Pan/Tilt	Pan: 355° Tilt: 10°~90°
<b>Interface</b>	
Audio Input	1 Channel Internal MIC
Audio Output	1 Channel Internal Speaker
TF Card	Support
Reset	Support
<b>Network</b>	
Wi-Fi	Wi-Fi (IEEE802.11b/g/n)
Stream	Dual stream
Protocols	TCP/IP, ICMP, UDP, SMTP, DHCP, DNS, PPPoE
<b>General</b>	
Network Transmission	Embedded with CloudSEE P2P Transmission Protocol
Working Temperature	-10 C ~ 55 C
Humidity	RH 10% ~ 90%
Power Supply	DC5V/1.0A
Consumption	≅ 3.65W
Color/Material	White/ABS+PC
Dimension (WxHxD)	φ69*103mm
Weight	180g
Installation	Wall, Ceiling, Desktop



JVS-HC810E



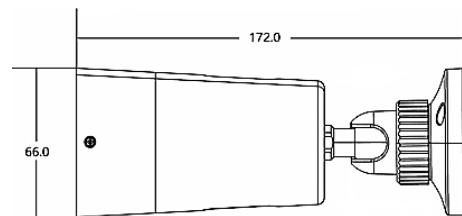
Features

- Resolution 1920x1080.
- With IR LED Lights and IR-CUT, monitoring day and night.
- Supports smartphone remote viewing.
- Ingress Protection IP66.
- Wi-Fi IEEE802.11b/g/n.
- Support 128GB SD Card.

Specifications

Model	JVS-HC810E
<b>Video</b>	
Image Sensor	1/2.7" CMOS
Max Resolution	1920 x 1080
Effective Pixels	2.0MP
Compression Standard	H.264
Maximum Frame Rate	1080p@15 fps
Bitrate	640Kbps ~ 1024Kbps
Illumination	0Lux (IR ON)
<b>Lens</b>	
Interface Type	M12
Lens	Fixed 4mm
Viewing Angle	H: 70.4°, V: 51.4°, D: 105.8°
IR Light	1 Array IR LED
IR Distance	15m
<b>Function</b>	
Privacy Masking	Supports 4 zone masking
Exposure Mode	Auto
AGC	Auto
White Balance	Auto
Motion Detection	Support
Day-Night Vision	IR-CUT, Supports Black/White Switch
Remote Control	System Management, Stream Management, Alarm Management, Network Management
Detection Alarm	E-mail Alert, Client-end Alarm
Storage	Support up to 128GB
<b>Interface</b>	
Audio Input	Not Support
Audio Output	Not Support
Ethernet	1 RJ45 10M/100M adaptive interface
TF Card	Support
Reset	Support
<b>Network</b>	
Wi-Fi	Wi-Fi (IEEE802.11b/g/n)
Stream	Dual stream
Protocols	TCP/IP, ICMP, UDP, SMTP, DHCP, DNS
<b>General</b>	
Network Transmission	Embedded with CloudSEE P2P Transmission Protocol
Working Temperature	-100C ~ 550C
Humidity	RH 10% ~ 90%
Power Supply	DC12V/1A
Consumption	≅ 3.65W
Color/Material	White/ABS+PC
Dimension (WxDxH)	66x66x172mm.
Weight	280g.
Installation	Wall, Ceiling

Dimension



Accessory



JVS-HA230E



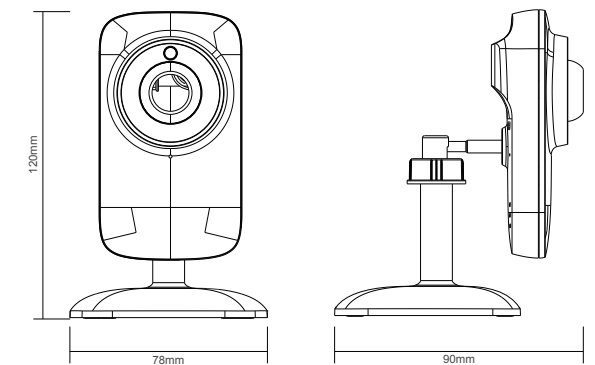
Features

- Resolution 1920x1080.
- With IR LED Lights and IR-CUT, monitoring day and night.
- Supports smartphone remote viewing.
- Supports two-way talk.
- Wi-Fi IEEE802.11b/g/n.
- Support 128GB SD Card.

Specifications

Model	JVS-HA230E
<b>Video</b>	
Image Sensor	1/2.7" CMOS
Max Resolution	Up to 1920x1080
Effective Pixels	2.0MP
Compression Standard	H.264
Maximum Frame Rate	1080p@20 fps
Bitrate	40Kbps ~ 6Mbps
Illumination	0Lux (IR ON)
<b>Lens</b>	
Interface Type	M12
Lens	4mm
Viewing Angle	H: 87.4°, V: 47°, D: 104°
IR Light	10 pcs LED Lights
IR Distance	Up to 10 Meter
<b>Function</b>	
Privacy Masking	Supports 4 zone masking
Exposure Mode	Auto
AGC	Auto
White Balance	Auto
Motion Detection	Support
Day-Night Vision	IR-CUT, Supports color/black switch
Remote Control	System Management, Stream Management, Alarm Management, Network Management
Detection Alarm	E-mail Alert, Client-end Alarm
Two-way Talk	Support
Storage	Support up to 128GB
<b>Interface</b>	
Audio Input	1 Channel Internal Mic
Audio Output	1 Channel Internal Speaker
Ethernet Port	10M/100M RJ45 Ethernet Port
TF Card	Support
<b>Network</b>	
Wi-Fi	Wi-Fi (IEEE802.11b/g/n)
Stream	Dual stream
Protocols	TCP/IP, ICMP, UDP, SMTP, DHCP, DNS, PPPoE
<b>General</b>	
Network Transmission	Embedded with CloudSEE P2P Transmission Protocol
Humidity	Rh 10% ~ 90%
Working Temperature	-10°C ~ 55°C
Power Supply	DC5V/1A
Consumption	≅ 4W
Color/Material	White/ABS+PC
Dimension (WxHxD)	78x120x72.9 mm
Weight	130g
Installation	Wall, Ceiling, Desktop

Dimension





# NVR H.265+ 4CH Network Recorder

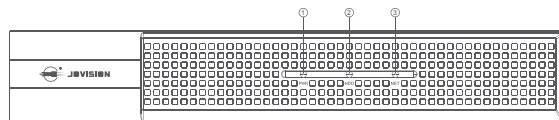


## JVS-ND6604-HD

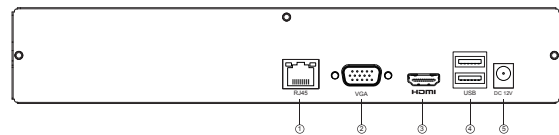


### Features

- Full HD Video output.
- Supports 4Ch 5.0Megapixel IP Cameras.
- H.265 Video Compression.
- ONVIF 2.4 Standard, compatible with ONVIF IP Cameras.
- Support CloudSEE on PC and Smart Phone, iOS/Android.
- With Digital Zoom, Privacy Mask functions.



① Power Light ② HDD Light ③ Network indicator light



Index	Description
①	LAN Network Interface
②	VGA Interface
③	HDMI Interface
④	USB Interface
⑤	12V DC Power Input

### Specifications

Model	JVS-ND6604-HD
<b>Video and Audio</b>	
IP Camera Input	4 Channel
Audio Input/ Output	1 Channel Output, RCA; Audio output support HDMI
<b>Display</b>	
Interface	1 HDMI, 1 VGA
Resolution	HDMI: 1024x768, 1280x800, 1280x1024, 1440x900, 1920x1080@60 VGA: 1024x768, 1280x800, 1280x1024, 1440x900, 1920x1080@60
Max Decoding	1ch@ 5.0MP/4.0MP/1080P/960P/720P 25fps, 4ch@1080P 25fps, 8ch D1/CIF & etc.
Multi-screen Display	1/4
OSD	Camera Name & Time, Recording, Alarm Detecting, Remote connection, Volume, Channel Number
<b>Recording</b>	
Compression	H.265/H.264
Resolution	4ch 5.0MP/4.0MP/1080P/960P/720P
Record Mode	Manual, Schedule, MD
<b>Video Detection and Alarm</b>	
Trigger Events	Recording, Snapshot, PTZ, Voice, E-mail, Client, Buzzer
Video Detection	Motion Detection, No Video Detection
<b>Playback and Backup</b>	
Sync Playback	1ch 5.0MP, 2ch 4.0MP, 4ch 1080P/960P/720P
Search Mode	Time /Date, Schedule, Motion Detection
Playback Function	Day View, Hour View, Back Step, Rewind, Pause, Play, Fast Forward, Slow, Step, Full Screen, Snap, Sound On/Off, Zoom
Backup Mode	USB Device/Network
<b>Network</b>	
Interface	1 RJ-45 port (10/100Mbps)
Network Function	TCP/IP, DHCP, UDP, SMTP, NTP
Smart Phone	iPhone, Android
Interoperability	ONVIF 2.4
<b>Storage</b>	
SATA	1 SATA interface
Capacity	up to 6TB
<b>General</b>	
Power Supply	12V DC
Consumption	≤ 10 W (Without HDD)
Working Temperature	-10°C~ 55°C
Working Humidity	10 % ~ 90 %
Dimensions	260x255x45mm
Weight	≤ 800g (Without HDD)

# NVR H.265+ 8CH Network Recorder

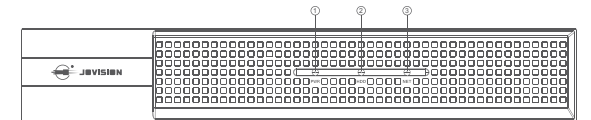


## JVS-ND6608-HD

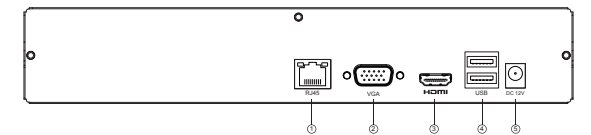


### Features

- Full HD Video output.
- Supports 8Ch 5.0Megapixel IP Cameras.
- H.265 Video Compression.
- ONVIF 2.4 Standard, compatible with ONVIF IP Cameras.
- Support CloudSEE on PC and Smart Phone, iOS/Android.
- With Digital Zoom, Privacy Mask functions.



① Power Light ② HDD Light ③ Network indicator light



Index	Description
①	LAN Network Interface
②	VGA Interface
③	HDMI Interface
④	USB Interface
⑤	12V DC Power Input

### Specifications

Model	JVS-ND6608-HD
<b>Video and Audio</b>	
IP Camera Input	8 Channel
Audio Input/ Output	1 Channel Output, RCA; Audio output support HDMI
<b>Display</b>	
Interface	1 HDMI, 1 VGA
Resolution	HDMI: 1024x768, 1280x800, 1280x1024, 1440x900, 1920x1080@60 VGA: 1024x768, 1280x800, 1280x1024, 1440x900, 1920x1080@60
Max Decoding	1ch@ 5.0MP/4.0MP/1080P/960P/720P 25fps, 4ch@1080P 25fps, 8ch D1/CIF & etc.
Multi-screen Display	1/4/8/9
OSD	Camera Name & Time, Recording, Alarm Detecting, Remote connection, Volume, Channel Number
<b>Recording</b>	
Compression	H.265/H.264
Resolution	8ch 5.0MP/4.0MP/1080P/960P/720P
Record Mode	Manual, Schedule, MD
<b>Video Detection and Alarm</b>	
Trigger Events	Recording, Snapshot, PTZ, Voice, E-mail, Client, Buzzer
Video Detection	Motion Detection, No Video Detection
<b>Playback and Backup</b>	
Sync Playback	1ch 5.0MP, 2ch 4.0MP, 4ch 1080P/960P/720P
Search Mode	Time /Date, Schedule, Motion Detection
Playback Function	Day View, Hour View, Back Step, Rewind, Pause, Play, Fast Forward, Slow, Step, Full Screen, Snap, Sound On/Off, Zoom
Backup Mode	USB Device/Network
<b>Network</b>	
Interface	1 RJ-45 port (10/100Mbps)
Network Function	TCP/IP, DHCP, UDP, SMTP, NTP
Smart Phone	iPhone, Android
Interoperability	ONVIF 2.4
<b>Storage</b>	
SATA	1 SATA interface
Capacity	up to 6TB
<b>General</b>	
Power Supply	12V DC
Consumption	≤ 10 W (Without HDD)
Working Temperature	-10°C~ 55°C
Working Humidity	10 % ~ 90 %
Dimensions	260x255x45mm
Weight	≤ 800g (Without HDD)

# NVR H.265+ 8CH PoE Network Recorder

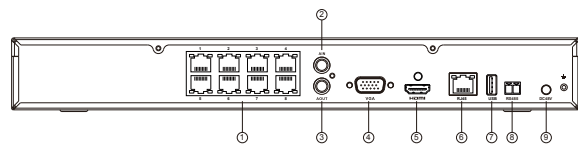


JVS-ND7008-PD01



## Features

- Full HD Video output.
- 8CH IEEE802.3af PoE.
- Supports 8CH 5.0Megapixel IP Cameras.
- H.265 Video Compression.
- ONVIF 2.4 Standard, compatible with ONVIF IP Cameras.
- Support CloudSEE on PC and Smart Phone, iOS/Android.
- With Digital Zoom, Privacy Mask functions.



Index	Description	Index	Description
①	IEEE802.3af PoE	⑥	RJ45
②	Audio In	⑦	USB
③	Audio Out	⑧	RS485
④	VGA	⑨	DC48V
⑤	HDMI		

## Specifications

Model	JVS-ND7008-PD01
<b>Video and Audio</b>	
IP Camera Input	8 Channel
Audio Input/ Output	1 Channel Output, RCA; Audio output support HDMI
<b>Display</b>	
Interface	1 HDMI, 1 VGA
Resolution	HDMI: 3840x2160, 1920x1080, 2560x1440, 1440x900, 1280x1024, 1280x720, 1024x768 VGA: 1920x1080, 1440x900, 1280x1024, 1280x720, 1024x768
Max Decoding	8CH @ 5.0MP
Multi-screen Display	1/4/8/9/16
OSD	Camera Name & Time, Recording, Alarm Detecting, connection, Volume, Channel Number Remote
<b>Recording</b>	
Compression	H.265/H.264
Resolution	8Ch 5.0MP/4.0MP/1080P/960P/720P
Record Mode	Manual, Schedule, MD
<b>Video Detection and Alarm</b>	
Trigger Events	Recording, Snapshot, PTZ, Voice, E-mail, Client, Buzzer
Video Detection	Motion Detection, No Video Detection
<b>Playback and Backup</b>	
Sync Playback	2CH 5.0MP/ 3CH 4.0MP/ 4CH 3.0MP
Search Mode	Time /Date, Schedule, Motion Detection
Playback Function	Day View, Hour View, Back Step, Rewind, Pause, Play, Fast Forward, Slow, Step, Full Screen, Snap, Sound On/Off, Zoom
Backup Mode	USB Device/Network
USB	2x USB2.0
<b>Network</b>	
Interface	1 RJ-45 10/100/1000Mbps
PoE Interface	8 Port 100Mbps IEEE802.3af PoE
Network Function	TCP/IP, DHCP, UDP, SMTP, NTP
Smart Phone	iPhone, Android
Interoperability	ONVIF 2.4
<b>Storage</b>	
SATA	2x SATA interface
Capacity	up to 8TB
<b>General</b>	
Power Supply	48V DC
Consumption	≤ 15 W (Without HDD)
Working Temperature	-10°C~ 55°C
Working Humidity	10 % ~ 90 %
Dimensions	360x264x45mm
Weight	≤ 2Kg (Without HDD)

# NVR H.265+ 16CH Network Recorder

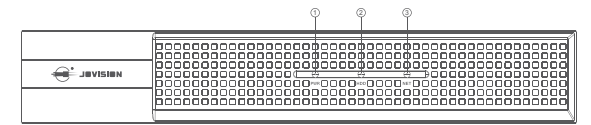


JVS-ND6616-HC

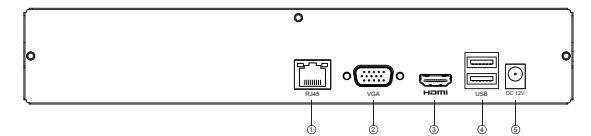


## Features

- Full HD Video output.
- Supports 16Ch 5.0Megapixel IP Cameras
- H.265 Video Compression
- ONVIF 2.4 Standard, compatible with ONVIF IP Cameras
- Support CloudSEE on PC and Smart Phone, iOS/Android
- With Digital Zoom, Privacy Mask functions.



① Power Light ② HDD Light ③ Network indicator light



Index	Description
①	LAN Network Interface
②	VGA Interface
③	HDMI Interface
④	USB Interface
⑤	12V DC Power Input

## Specifications

Model	JVS-ND6616-HC
<b>Video and Audio</b>	
IP Camera Input	16 Channel
Audio Input/ Output	1 Channel Output, RCA; Audio output support HDMI
<b>Display</b>	
Interface	1 HDMI, 1 VGA
Resolution	HDMI: 1024x768, 1280x800, 1280x1024, 1440x900, 1920x1080@60 VGA: 1024x768, 1280x800, 1280x1024, 1440x900, 1920x1080@60
Max Decoding	1ch@ 5.0MP/4.0MP/1080P/960P/720P 25fps, 4ch@1080P 25fps, 8ch D1/CIF & etc.
Multi-screen Display	1/4/8/9
OSD	Camera Name & Time, Recording, Alarm Detecting, Remote connection, Volume, Channel Number
<b>Recording</b>	
Compression	H.265/H.264
Resolution	16Ch 5.0MP/4.0MP/1080P/960P/720P
Record Mode	Manual, Schedule, MD
<b>Video Detection and Alarm</b>	
Trigger Events	Recording, Snapshot, PTZ, Voice, E-mail, Client, Buzzer
Video Detection	Motion Detection, No Video Detection
<b>Playback and Backup</b>	
Sync Playback	1ch 5.0MP, 2ch 4.0MP, 4ch 1080P/960P/720P
Search Mode	Time /Date, Schedule, Motion Detection
Playback Function	Day View, Hour View, Back Step, Rewind, Pause, Play, Fast Forward, Slow, Step, Full Screen, Snap, Sound On/Off, Zoom
Backup Mode	USB Device/Network
<b>Network</b>	
Interface	1 RJ-45 port (10/100Mbps)
Network Function	TCP/IP, DHCP, UDP, SMTP, NTP
Smart Phone	iPhone, Android
Interoperability	ONVIF 2.4
<b>Storage</b>	
SATA	1 SATA interface
Capacity	up to 6TB
<b>General</b>	
Power Supply	12V DC
Consumption	≤ 10 W (Without HDD)
Working Temperature	-10°C~ 55°C
Working Humidity	10 % ~ 90 %
Dimensions	260x255x45mm
Weight	≤ 800g (Without HDD)

# NVR H.265+ 16CH Network Recorder

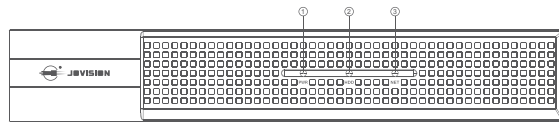


## JVS-ND6616-HC2

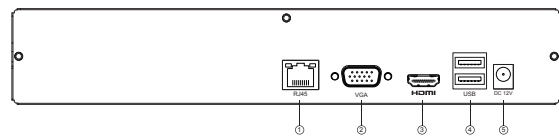


### Features

- Full HD Video output.
- Supports 16Ch 5.0Megapixel IP Cameras.
- H.265 Video Compression.
- Two SATA Support.
- ONVIF 2.4 Standard, compatible with ONVIF IP Cameras.
- Support CloudSEE on PC and Smart Phone, iOS/Android.
- With Digital Zoom, Privacy Mask functions.



① Power Light ② HDD Light ③ Network indicator light



Index	Description
①	LAN Network Interface
②	VGA Interface
③	HDMI Interface
④	USB Interface
⑤	12V DC Power Input

### Specifications

Model	JVS-ND6616-HC2
<b>Video and Audio</b>	
IP Camera Input	16 Channel
Audio Input/ Output	1 Channel Output, RCA; Audio output support HDMI
<b>Display</b>	
Interface	1 HDMI, 1 VGA
Resolution	HDMI: 1024x768, 1280x1024, 1280x800, 1440x900, 1920x1080@60, 3840x2160@30
	VGA: 1024x768, 1280x800, 1280x1024, 1440x900, 1920x1080@60
Max Decoding	1ch@ 5.0MP/4.0MP/1080P/960P/720P 25fps, 4ch@1080P 25fps, 16/9/8ch D1/CIF & etc.
Multi-screen Display	1/4/8/9/16
OSD	Camera Name & Time, Recording, Alarm Detecting, Remote connection, Volume, Channel Number
<b>Recording</b>	
Compression	H.265/H.264
Resolution	16Ch 5.0MP/4.0MP/1080P/960P/720P
Record Mode	Manual, Schedule, MD
<b>Video Detection and Alarm</b>	
Trigger Events	Recording, Snapshot, PTZ, Voice, E-mail, Client, Buzzer
Video Detection	Motion Detection, No Video Detection
<b>Playback and Backup</b>	
Sync Playback	2ch 5.0MP, 2ch 4.0MP, 4ch 1080P/960P/720P
Search Mode	Time /Date, Schedule, Motion Detection
Playback Function	Day View, Hour View, Back Step, Rewind, Pause, Play, Fast Forward, Slow, Step, Full Screen, Snap, Sound On/Off, Zoom
Backup Mode	USB Device/Network
<b>Network</b>	
Interface	1 RJ-45 port (10/100Mbps)
Network Function	TCP/IP, DHCP, UDP, SMTP, NTP
Smart Phone	iPhone, Android
Interoperability	ONVIF 2.4
<b>Storage</b>	
SATA	2 SATA interface
Capacity	up to 6TB
<b>General</b>	
Power Supply	12V DC
Consumption	≤ 10 W (Without HDD)
Working Temperature	-10°C ~ 55°C
Working Humidity	10 % ~ 90 %
Dimensions	325x240x50mm
Weight	≤ 950g (Without HDD)

# NVR H.265+ 32CH Network Recorder

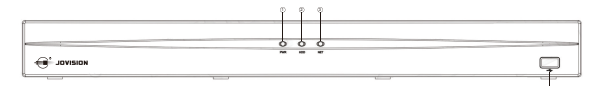


## JVS-ND7932-HV

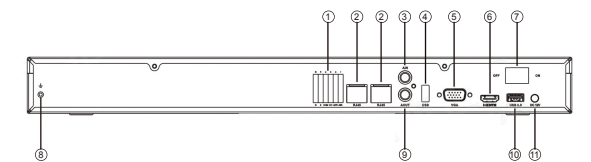


### Features

- Full HD Video output.
- Supports 32Ch 5.0Megapixel IP Cameras
- H.265 Video Compression
- 4x SATA Support
- ONVIF 2.4 Standard, compatible with ONVIF IP Cameras.
- Support CloudSEE on PC and Smart Phone, iOS/Android.
- With Digital Zoom, Privacy Mask functions.



① Power Light ② HDD Light ③ Network indicator light



Index	Description	Index	Description
①	Alarm/RS485	⑦	Switch
②	1000M RJ45	⑧	Ground
③	Audio input	⑨	Audio output
④	USB 2.0	⑩	USB 3.0
⑤	VGA Interface	⑪	DC 12V
⑥	HDMI Interface		

### Specifications

Model	JVS-ND7932-HV
<b>Video and Audio</b>	
IP Camera Input	32 Channel
Audio Input/ Output	1 Channel Output, RCA; Audio output support HDMI
<b>Display</b>	
Interface	1 HDMI, 1 VGA
Resolution	HDMI: 1024x768, 1280x1024, 1280x800, 1440x900, 1920x1080@60, 3840x2160@30
	VGA: 1024x768, 1280x800, 1280x1024, 1440x900, 1920x1080@60
Max Decoding	1ch@ 5.0MP/4.0MP/1080P/960P/720P 25fps, 4ch@1080P 25fps, 16/9/8ch D1/CIF & etc.
Multi-screen Display	1/4/8/9/16
OSD	Camera Name & Time, Recording, Alarm Detecting, Remote connection, Volume, Channel Number
<b>Recording</b>	
Compression	H.265/H.264
Resolution	32Ch 5.0MP/4.0MP/1080P/960P/720P
Record Mode	Manual, Schedule, MD
<b>Video Detection and Alarm</b>	
Trigger Events	Recording, Snapshot, PTZ, Voice, E-mail, Client, Buzzer
Video Detection	Motion Detection, No Video Detection
<b>Playback and Backup</b>	
Sync Playback	16Ch 1.0MP/ 16Ch 1.3MP/ 12Ch 2.0MP/ 8Ch 3.0MP / 6Ch 4.0MP/ 5Ch 5.0MP
Search Mode	Time /Date, Schedule, Motion Detection
Playback Function	Day View, Hour View, Back Step, Rewind, Forward, Slow, Step, Full Screen, Snap,
Backup Mode	USB Device/Network
<b>Network</b>	
Interface	2x RJ-45 10/100/1000Mbps
Network Function	TCP/IP, DHCP, UDP, SMTP, NTP
Smart Phone	iPhone, Android
Interoperability	ONVIF 2.4
<b>Storage</b>	
SATA	4x SATA interface
Capacity	up to 6TB
<b>General</b>	
Power Supply	12V DC
Consumption	≤ 10 W (Without HDD)
Working Temperature	-10°C ~ 55°C
Working Humidity	10 % ~ 90 %
Dimensions	360x270x50mm
Weight	≤ 1.6kg (Without HDD)



# NVR H.265+ 64CH Network Recorder

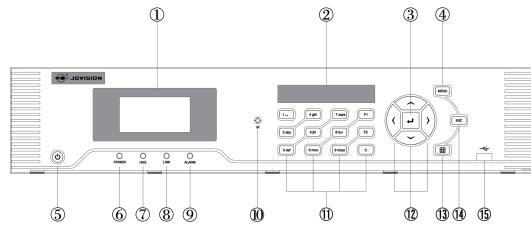


JVS-ND9164-HZ

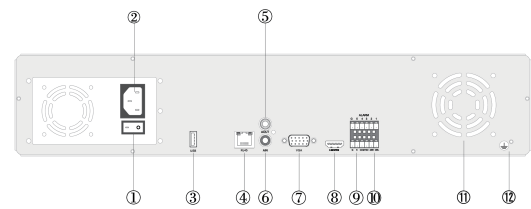


## Features

- Full HD Video output.
- Supports 64Ch 5.0Megapixel IP Cameras.
- H.265 Video Compression.
- 8x SATA Support.
- ONVIF 2.4 Standard, compatible with ONVIF IP Cameras.
- Support CloudSEE on PC and Smart Phone, iOS/Android.
- With Digital Zoom, Privacy Mask functions.



Index	Description	Index	Description	Index	Description
①	Display screen	⑥	Power Light	⑪	Number
②	Video light	⑦	HDD Light	⑫	Direction
③	Enter	⑧	Network indicator light	⑬	multi-screen
④	Menu	⑨	Alarm light	⑭	ESC
⑤	start	⑩	Infrared receiver	⑮	USB



Index	Description	Index	Description	Index	Description
①	On-off	⑤	Audio output	⑨	USB 3.0
②	Battery socket	⑥	Audio in	⑩	Alarm&RS485
③	USB	⑦	VGA	⑪	Cooling fan
④	RJ45	⑧	HDMI	⑫	Ground

## Specifications

Model	JVS-ND9164-HZ
<b>Video and Audio</b>	
IP Camera Input	64 Channel
Audio Input/ Output	1 Channel Output, RCA; Audio output support HDMI
<b>Display</b>	
Interface	1 HDMI, 1 VGA
Resolution	HDMI: 1024x768, 1280x1024, 1280x800, 1440x900, 1920x1080@60, 3840x2160@30 VGA: 1024x768, 1280x800, 1280x1024, 1440x900, 1920x1080@60
Max Decoding	1ch@ 5.0MP/4.0MP/1080P/960P/720P 25fps,4ch@1080P 25fps,64/3216/9/8ch D1/CIF & etc.
Multi-screen Display	1/4/8/9/16/32/64
OSD	Camera Name & Time, Recording, Alarm Detecting, Remote connection, Volume, Channel Number
<b>Recording</b>	
Compression	H.265/H.264
Resolution	64Ch 5.0MP/4.0MP/1080P/960P/720P
Record Mode	Manual, Schedule, MD
<b>Video Detection and Alarm</b>	
Trigger Events	Recording, Snapshot, PTZ, Voice, E-mail, Client, Buzzer
Video Detection	Motion Detection, No Video Detection
<b>Playback and Backup</b>	
Sync Playback	16Ch 1.0MP/ 16Ch 1.3MP/ 12Ch 2.0MP/ 8Ch 3.0MP / 6Ch 4.0MP/ 5Ch 5.0MP
Search Mode	Time /Date, Schedule, Motion Detection
Playback Function	Day View, Hour View, Back Step, Rewind, Pause, Play, Fast Forward, Slow, Step, Full Screen, Snap, Sound On/Off, Zoom
Backup Mode	USB Device/Network
<b>Network</b>	
Interface	2x RJ-45 10/100/1000Mbps
Network Function	TCP/IP, UDP/IP, CloudSEE, SMTP, NTP, DHCP
Smart Phone	iPhone, Android
Interoperability	ONVIF 2.4
<b>Storage</b>	
SATA	8x SATA interface
Capacity	up to 6TB
<b>General</b>	
Power Supply	ATX
Consumption	≤ 25 W (Without HDD)
Working Temperature	-100C~ 550C
Working Humidity	10 % ~ 90 %
Dimensions	445x405x100mm
Weight	≤ 8kg (Without HDD)

# HD Analog 2MP Dome Camera

## Specifications

Model	JVS-A835-YWC
<b>Video</b>	
Image Sensor	1/ 2.7" CMOS Sensor
Image Resolution	1920x1080
Effective Pixels	2.0MP
TV System	PAL/NTSC
Electronic Shutter	1/10s~1/100,000s
S/N Ratio	≥40dB
Scanning System	Progressive Scan
<b>Lens</b>	
Lens	Board Lens 3.6mm/F2.0
Lens Type	Fixed
Auto Iris Support	N/A
<b>Night Vision</b>	
Infrared SMD LED	14μ x 12 PCS
Infrared Distance	15-25m
IR Cut Filter	Yes
IR Status	Under 10 Lux by CDS
IR Power On	CDS Auto Control
Day & Night	Auto (ICR) / Color / B&W
<b>Camera Features</b>	
OSD Menu Language	Optional
White Balance	Auto
Gain Control	Auto
Noise Reduction	3D DNR
Picture Adjustment	N/A
WDR	Yes
OSD Support	Optional
UTC	Optional
<b>General</b>	
Housing	Plastic
Operation Temperature	-10°C ~ 50°C Rh 95% Max
Storage Temperature	-20°C ~ 60°C Rh 95% Max
Power Source	DC12V±10%, 230mA
Dimension	φ95X82mm
Weight	≤130g



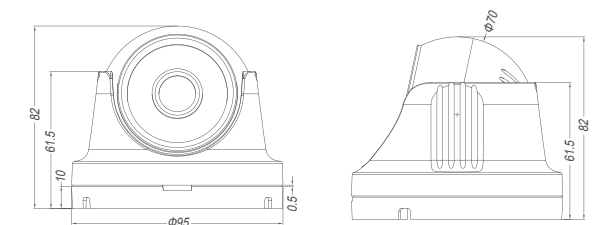
JVS-A835-YWC



## Features

- 1/ 2.7" CMOS Sensor.
- Resolution: 1920x1080.
- 12Pcs IR LEDs, IR Range 25m.
- Support Digital Wide Dynamic Range.

## Dimension



# HD Analog 2MP Bullet Camera



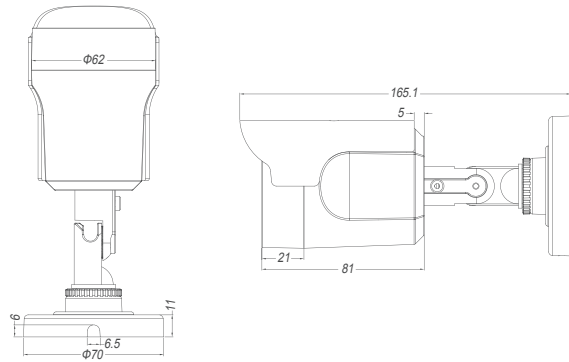
JVS-A815-YWC



## Features

- 1/ 2.7" CMOS Sensor.
- Resolution:1920x1080.
- 15Pcs IR LEDs, IR Range 30m.
- Support Digital Wide Dynamic Range.
- Ingress Protection IP66.

## Dimension



## Specifications

Model	JVS-A815-YWC
<b>Video</b>	
Image Sensor	1/ 2.7" CMOS Sensor
Image Resolution	1920x1080
Effective Pixels	2.0MP
TV System	PAL/NTSC
Electronic Shutter	1/10s~1/100,000s
S/N Ratio	≥40dB
Scanning System	Progressive Scan
<b>Lens</b>	
Lens	Board Lens 3.6mm/F2.0
Lens Type	Fixed
Auto Iris Support	N/A
<b>Night Vision</b>	
Infrared SMD LED	14μ x 15 PCS
Infrared Distance	30m
IR Cut Filter	Yes
IR Status	Under 10 Lux by CDS
IR Power On	CDS Auto Control
Day & Night	Auto (ICR) / Color / B&W
<b>Camera Features</b>	
OSD Menu Language	Optional
White Balance	Auto
Gain Control	Auto
Noise Reduction	3D DNR
Picture Adjustment	N/A
WDR	Yes
OSD Support	Optional
UTC	Optional
<b>General</b>	
Housing	Plastic
Bracket	Yes
Operation Temperature	-10°C ~ 50°C Rh 95% Max
Storage Temperature	-20°C ~ 60°C Rh 95% Max
Power Source	DC12V±10%,230mA
Dimension	φ70*165mm
Weight	≤160g

# HD Analog 2MP Starlight Bullet Camera



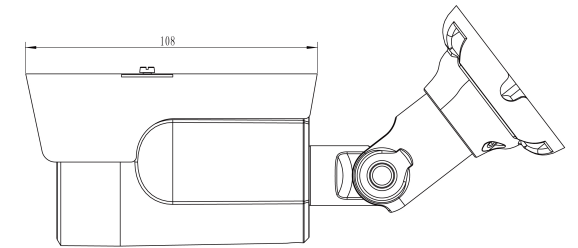
JVS-A813-YWS



## Features

- 1/ 2.8" IMX307LQR CMOS Sensor.
- With Starlight function.
- Resolution: 1920x1080.
- Illuminance, 0.1Lux@ (F1.6, AGC ON), 0LUX with IR.
- Support coaxial control (UTC).
- Support Digital Wide Dynamics.

## Dimension



## Specifications

Model	JVS-A813-YWS
<b>Camera</b>	
Image Sensor	1/ 2.8" CMOS Sensor
Image Resolution	1920x1080
Effective Pixels	2.0MP
TV System	PAL/NTSC
Electronic Shutter	1/25s~1/100,000s
S/N Ratio	≥50dB
Min. Illumination	0.01Lux
Scanning System	Progressive Scan
<b>Lens</b>	
Lens	Board Lens 3.6mm/F2.0
Lens Type	Fixed
Auto Iris Support	N/A
<b>Night Vision</b>	
Infrared SMD LED	14μ x 18 PCS
Infrared Distance	30m
IR Cut Filter	Yes
IR Status	Under 0.1 Lux by CDS
IR Power On	CDS Auto Control
Day & Night	Auto (ICR) / Color / B&W
<b>Camera Features</b>	
OSD Menu Language	Optional
White Balance	Auto
Gain Control	Auto
Noise Reduction	3D DNR
Picture Adjustment	N/A
WDR	Yes
OSD Support	Optional
UTC	Optional
<b>General</b>	
Housing	Metal
Bracket	Yes
Operation Temperature	-10°C ~ 50°C Rh 95% Max
Storage Temperature	-20°C ~ 60°C Rh 95% Max
Power Source	DC12V±10%,230mA
Dimension	φ69x180mm
Weight	≤340g

# HD Analog 2MP

## Bullet Camera



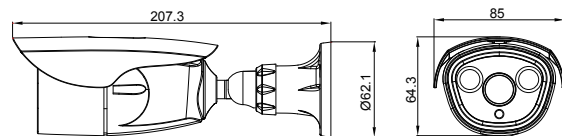
JVS-A811-BT



### Features

- HD 1080p Low-light Outdoor IR Camera
- 1/ 2.8" CMOS Sensor
- Support AHD, TVI, CVI, CVBS output
- 3.6mm Lens
- 2Pcs Array IR LEDs, IR Range up to 25m.
- Low illumination.
- UTC Coaxial Control.

### Dimension



### Specifications

Model	JVS-A811-BT
<b>Camera</b>	
Image Sensor	1/ 2.8" CMOS Sensor
Image Resolution	1920x1080
Effective Pixels	2.0MP
TV System	PAL/NTSC
Electronic Shutter	1/25s~1/100,000s
S/N Ratio	≥42dB
Min. Illumination	0.05Lux
Scanning System	Progressive Scan
<b>Lens</b>	
Lens	Board Lens 3.6mm/F2.0
Lens Type	Fixed
Auto Iris Support	N/A
<b>Night Vision</b>	
Infrared LED	2Pcs Array IR LEDs
Infrared Distance	25M
IR Cut Filter	YES
IR Status	Under 10 Lux by CDS
IR Power On	CDS Auto Control
Day & Night	Auto (ICR) / Color / B&W
<b>Camera Features</b>	
OSD Menu Language	Optional
White Balance	Auto
Gain Control	Auto
Noise Reduction	3D DNR
Picture Adjustment	N/A
WDR	Yes
OSD Support	Optional
UTC	Support
<b>General</b>	
Housing	Metal
Bracket	Yes
Operation Temperature	-10°C ~ 50°C Rh 95% Max
Storage Temperature	-20°C ~ 60°C Rh 95% Max
Power Source	DC12V±10%,230mA
Dimension	255x120x120mm
Weight	≤340g

# HD Analog 4MP

## Dome Camera



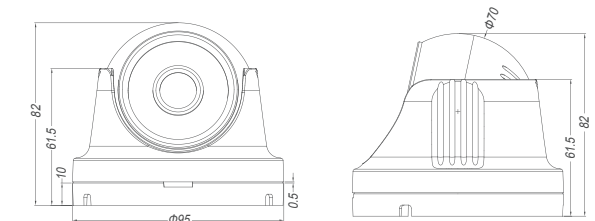
JVS-A430-YWC



### Features

- 1/3" 4.0MP CMOS.
- Support AHD high definition transfer.
- Resolution:2688×1520.
- Long Distance, No delay.
- OSD/UTC menu (Optional).
- Adopt 3D-DNR, Better Low light quality.

### Dimension



### Specifications

Model	JVS-A430-YWC
<b>Camera</b>	
Image Sensor	1/3" CMOS Sensor
Image Resolution	2688×1520
Effective Pixels	4.0MP
TV System	PAL/NTSC
Electronic Shutter	1/25s~1/100,000s
S/N Ratio	≥38.6dB
Min. Illumination	0.1Lux with IR
Scanning System	Progressive Scan
<b>Lens</b>	
Lens	Board Lens 3.6mm/F2.0
Lens Type	Fixed
Auto Iris Support	N/A
<b>Night Vision</b>	
Infrared LED	14μ x 12 PCS
Infrared Distance	25M
IR Cut Filter	Yes
IR Status	Under 10 Lux by CDS
IR Power On	CDS Auto Control
Day & Night	Auto (ICR) / Color / B&W
<b>Camera Features</b>	
OSD Menu Language	Optional
White Balance	Auto
Gain Control	Auto
Noise Reduction	3D DNR
Picture Adjustment	N/A
WDR	Yes
OSD Support	Optional
UTC	Support
<b>General</b>	
Housing	Plastic
Operation Temperature	-10°C ~ 50°C Rh 95% Max
Storage Temperature	-20°C ~ 60°C Rh 95% Max
Power Source	DC12V±10%, 230mA
Dimension	φ95X82mm
Weight	≤130g



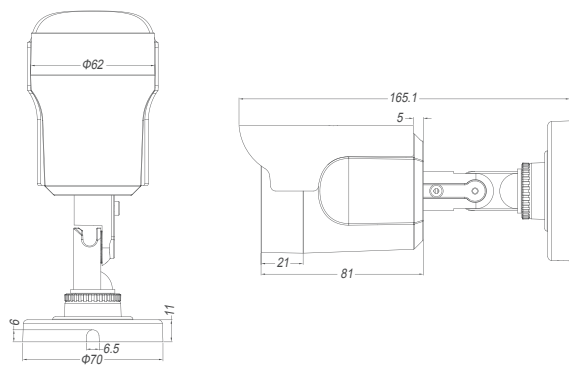
JVS-A410-YWC



### Features

- 1/3" 4.0MP CMOS
- Support AHD high definition transfer
- Resolution:2688×1520
- Long Distance, No delay
- OSD/UTC menu (Optional)
- Adopt 3D-DNR, Better Low light quality.
- Support ICR auto switch.

### Dimension



### Specifications

Model	JVS-A410-YWC
<b>Camera</b>	
Image Sensor	1/3" CMOS Sensor
Image Resolution	2688×1520
Effective Pixels	4.0MP
TV System	PAL/NTSC
Electronic Shutter	1/25s~1/100,000s
S/N Ratio	≥38.6dB
Min. Illumination	0.1Lux with IR
Scanning System	Progressive Scan
<b>Lens</b>	
Lens	Board Lens 3.6mm/F2.0
Lens Type	Fixed
Auto Iris Support	N/A
<b>Night Vision</b>	
Infrared SMD LED	14μ x 12 PCS
Infrared Distance	25m
IR Cut Filter	Yes
IR Status	Under 0.1 Lux by CDS
IR Power On	CDS Auto Control
Day & Night	Auto (ICR) / Color / B&W
<b>Camera Features</b>	
OSD Menu Language	Optional
White Balance	Auto
Gain Control	Auto
Noise Reduction	3D DNR
Picture Adjustment	N/A
WDR	Yes
OSD Support	Optional
UTC	Optional
<b>General</b>	
Housing	Metal
Bracket	Yes
Operation Temperature	-10°C ~ 50°C Rh 95% Max
Storage Temperature	-20°C ~ 60°C Rh 95% Max
Power Source	DC12V±10%,230mA
Dimension	φ70*165mm
Weight	≤160g

### Specifications

Model	JVS-XD2804-HB11V
<b>Video and Audio</b>	
Analog Camera Input	4 Channel, BNC
HDCVI Camera	1080P@25/30fps, 720P@25/30fps
AHD Camera	4MP, 1080P@25/30, 720P@25/30fps
TVI Camera	1080P@25/30, 720P@25/30fps
CVBS Camera	PAL/NTSC
IP Camera Input	up to 1080p
Video port configuration	Full HD: 4CH
	Hybrid:2CH+2CH
	Full Network: 8CH
Audio In/Out	4/1, RCA
Two-way Talk	1CH RCA
<b>Recording</b>	
Compression	H.264+/H.264
Resolution	4M, 1080p, 1080n, 720p, WD1
Record Rate	Main stream: 4M(1~8fps), 1080P(1~20fps), 1080N/720P/960H/D1(1~20fps)
	Sub stream: D1/CIF(1~8/12fps)
Record Mode	Manual, Schedule (General, Continuous), MD (Motion Detection, Video Loss, IVP), Alarm Device
Audio Compression	G.711U
<b>Display</b>	
Interface	1x HDMI, 1x VGA
Resolution	1280x1024, 1024x768, 1280x800, 1440x900, 1920x1080
OSD	Device ID, Time, Record Setting, Alarm setup, Audio, Camera title
<b>Network</b>	
Interface	1 RJ-45 Port (100M)
Network Function	TCP/IP, DHCP, DNS, DDNS, HTTPS, HTTP,
Smart Phone	iPhone, Android
Interoperability	ONVIF
<b>Playback and Backup</b>	
Playback	4CH
Search Mode	Time /Date, Alarm, MD, IVP, Auto, Scheduled
Playback Function	Day view, Hour view, Back Step, Rewind, Pause, Play, Fast Forward, Slow, Step, Snap, Sound on/off, Zoom, Backup to U-Disk
Backup Mode	USB
<b>HDD</b>	
Interface Type	1 SATA Interface
Capacity	Up to 6 TB
<b>General</b>	
Power Supply	DC12V
Consumption	≤ 8 W
Working Temperature	0°C~ 55°C
Working Humidity	10% to 90%
Dimensions	260x255x45mm
Weight	≤ 880g

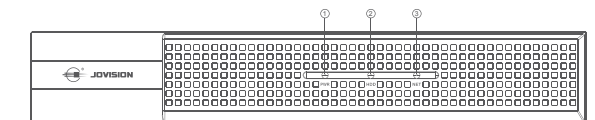


JVS-XD2804-HB11V

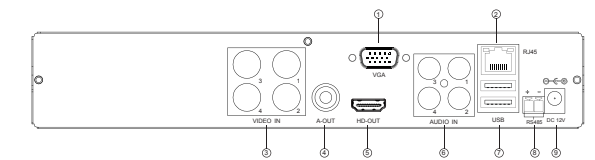


### Features

- AHD, TVI, CVI, CVBS, IP video input.
- Automatic networking support.
- Cloud services, P2P.
- H.264+ video compressions.
- Third-party network cameras supported.
- HDMI and VGA output at up to 1920x1080 resolution.



①Power Light ②HDD Light ③ Network indicator light



Index	Description	Index	Description
①	VGA Interface	⑥	AUDIO IN
②	LAN Network Interface	⑦	USB Interface
③	VIDEO IN	⑧	RS-485 Serial Interface
④	AUDIO OUT	⑨	12V DC Power Input
⑤	HDMI Interface		



# XVR 5-in-1 8CH Digital Video Recorder

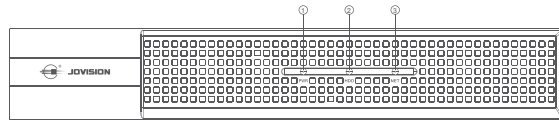


## JVS-XD2808-HD12V

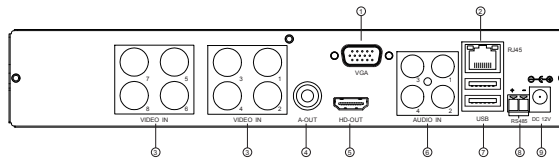


### Features

- AHD, TVI, CVI, CVBS, IP video input.
- Automatic networking support.
- Cloud services, P2P.
- H.264+ (Quasi H.265) video compressions.
- Third-party network cameras supported.
- Support IVP.



① Power Light ② HDD Light ③ Network indicator light



Index	Description	Index	Description
①	VGA Interface	⑥	AUDIO IN
②	LAN Network Interface	⑦	USB Interface
③	VIDEO IN	⑧	RS-485 Serial Interface
④	AUDIO OUT	⑨	12V DC Power Input
⑤	HDMI Interface		

### Specifications

Model	JVS-XD2808-HD12V
<b>Video and Audio</b>	
Analog Camera Input	8 Channel, BNC
HDCVI Camera	1080P@25/30fps, 720P@25/30fps
AHD Camera	4MP, 1080P@25/30, 720P@25/30fps
TVI Camera	1080P@25/30, 720P@25/30fps
CVBS Camera	PAL/NTSC
IP Camera Input	up to 1080p
Video port configuration	Full HD: 8CH
	Hybrid: 4CH+4CH
	Full Network: 8CH
Audio In/Out	4/1, RCA
Two-way Talk	1CH RCA
<b>Recording</b>	
Compression	H.264+/H.264
Resolution	4M, 1080p, 1080n, 720p, WD1
Record Rate	Main stream: 4M(1~8fps), 1080P(1~20fps), 1080N/720P/960H/D1(1~20fps)
	Sub stream: D1/CIF(1~8/12fps)
Record Mode	Manual, Schedule (General, Continuous), MD (Motion Detection, Video Loss, IVP), Alarm Device
Audio Compression	G.711U
<b>Display</b>	
Interface	1x HDMI, 1x VGA
Resolution	1280x1024, 1024x768, 1280x800, 1440x900, 1920x1080
OSD	Device ID, Time, Record Setting, Alarm setup, Audio, Camera title
	Camera title
<b>Network</b>	
Interface	1 RJ-45 Port (100M)
Network Function	TCP/IP, DHCP, DNS, DDNS, HTTPS, HTTP,
Smart Phone	iPhone, Android
Interoperability	ONVIF
<b>Playback and Backup</b>	
Playback	8CH
Search Mode	Time /Date, Alarm, MD, IVP, Auto, Scheduled
Playback Function	Day view, Hour view, Back Step, Rewind, Pause, Play, Fast Forward, Slow, Step, Snap, Sound on/off, Zoom, Backup to U-Disk
	Backup to U-Disk
Backup Mode	USB
<b>HDD</b>	
Interface Type	1 SATA Interface
Capacity	Up to 6 TB
<b>General</b>	
Power Supply	DC12V
Consumption	≤ 8 W
Working Temperature	0°C~ 55°C
Working Humidity	10% to 90%
Dimensions	260x255x45mm
Weight	≤ 950g

# XVR 5-in-1 16CH Digital Video Recorder

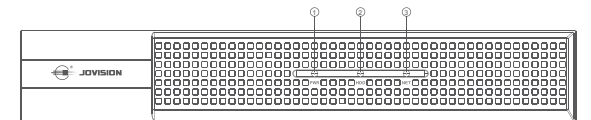


## JVS-XD2816-HE11V

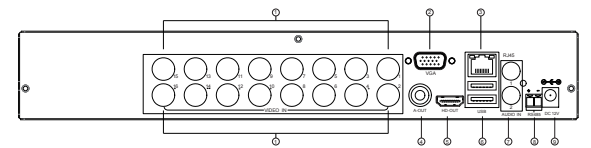


### Features

- AHD, TVI, CVI, CVBS, IP video input.
- Automatic networking support.
- Cloud services, P2P.
- H.264+ (Quasi H.265) video compressions.
- Third-party network cameras supported.
- Support IVP.



① Power Light ② HDD Light ③ Network indicator light



Index	Description	Index	Description
①	VGA Interface	⑥	USB Interface
②	LAN Network Interface	⑦	AUDIO IN
③	VIDEO IN	⑧	RS-485 Serial Interface
④	AUDIO OUT	⑨	12V DC Power Input
⑤	HDMI Interface		

### Specifications

Model	JVS-XD2816-HE11V
<b>Video and Audio</b>	
Analog Camera Input	16 Channel, BNC
HDCVI Camera	1080P@25/30fps, 720P@25/30fps
AHD Camera	4MP, 1080P@25/30, 720P@25/30fps
TVI Camera	1080P@25/30, 720P@25/30fps
CVBS Camera	PAL/NTSC
IP Camera Input	up to 1080p
Video port configuration	Full HD: 16CH
	Hybrid: 8CH+8CH
	Full Network: 16CH
Audio In/Out	4/1, RCA
Two-way Talk	1CH RCA
<b>Recording</b>	
Compression	H.264+/H.264
Resolution	4M, 1080p, 1080n, 720p, WD1
Record Rate	Main stream: 4M(1~8fps), 1080P(1~20fps), 1080N/720P/960H/D1(1~20fps)
	Sub stream: D1/CIF(1~8/12fps)
Record Mode	Manual, Schedule (General, Continuous), MD (Motion Detection, Video Loss, IVP), Alarm Device
Audio Compression	G.711U
<b>Display</b>	
Interface	1x HDMI, 1x VGA
Resolution	1280x1024, 1024x768, 1280x800, 1440x900, 1920x1080
OSD	Device ID, Time, Record Setting, Alarm setup, Audio, Camera title
	Camera title
<b>Network</b>	
Interface	1 RJ-45 Port (100M)
Network Function	TCP/IP, DHCP, DNS, DDNS, HTTPS, HTTP,
Smart Phone	iPhone, Android
Interoperability	ONVIF
<b>Playback and Backup</b>	
Playback	16CH
Search Mode	Time /Date, Alarm, MD, IVP, Auto, Scheduled
Playback Function	Day view, Hour view, Back Step, Rewind, Pause, Play, Fast Forward, Slow, Step, Snap, Sound on/off, Zoom, Backup to U-Disk
	Backup to U-Disk
Backup Mode	USB
<b>HDD</b>	
Interface Type	1 SATA Interface
Capacity	Up to 6 TB
<b>General</b>	
Power Supply	DC12V
Consumption	≤ 8 W
Working Temperature	0°C~ 55°C
Working Humidity	10% to 90%
Dimensions	260x255x45mm
Weight	≤ 1.1 kg

# XVR 5-in-1

## 32CH Digital Video Recorder

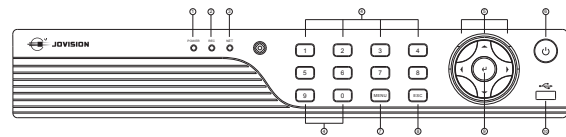


JVS-XD2832-HE20K

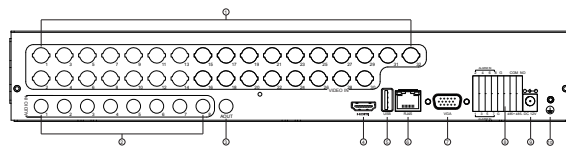


### Features

- Support H.264+ (Quasi H.265) encoding, ultra-low bit rates, compatible with H.264 surroundings;
- Support VGA, HDMI HD output simultaneously;
- Support various mobile monitoring (IOS, android);
- Support UTC, control signal& video stream transmit through one single coaxial;
- Support AHD/TVI/CVI/CVBS/IP five signals;
- Support multi - languages;



Index	Description	Index	Description
①	Power Light	⑥	start
②	Video light	⑦	MENU
③	Network indicator light	⑧	ESC
④	Number	⑨	Enter
⑤	Direction	⑩	USB



Index	Description	Index	Description
①	VIDEO IN	⑥	LAN Network Interface
②	AUDIO IN	⑦	VGA Interface
③	AUDIO OUT	⑧	Alarm& RS-485
④	HDMI Interface	⑨	12V DC Power Input
⑤	USB Interface	⑩	Ground

### Specifications

Model	JVS-XD2832-HE20K
<b>Video and Audio</b>	
Analog Camera Input	32Channel, BNC
HDCVI Camera	1080P@25/30fps, 720P@25/30fps
AHD Camera	4MP, 1080P@25/30, 720P@25/30fps
TVI Camera	1080P@25/30, 720P@25/30fps
CVBS Camera	PAL/NTSC
IP Camera Input	up to 1080P
Video port configuration	Full HD: 32CH hybrid : 16CH+16CH Full network: 32CH
Audio In/Out	8/1, RCA
Two-way Talk	1CH RCA
<b>Recording</b>	
Compression	H.264+/H.264
Resolution	4M-N, 1080N, 720P, WD1
Record Rate	Main stream:4M-N(1~8fps),1080N(1~18fps), 720P/960H/D1(1~18fps) Sub stream: D1/CIF(1~8/12fps)
Record Mode	Manual, Schedule (General, Continuous), MD (Motion Detection, Video Loss, IVP), Alarm Device
Audio Compression	G.711U
<b>Display</b>	
Interface	1xHDMI, 1xVGA
Resolution	1280*1024, 1024*768, 1280*800, 1440*900,1920*1080
OSD	Device ID, Time, Record Setting, Alarm setup, Audio, Camera title
<b>Network</b>	
Interface	1 RJ-45 Port (100M)
Network Function	TCP/IP, DHCP, DNS, DDNS, HTTPS, HTTP,
Smart Phone	iPhone, Android
Interoperability	ONVIF2.4, CGI
<b>Playback and Backup</b>	
Playback	8CH
Search Mode	Time /Date, Alarm, MD, IVP, Auto, Scheduled
Playback Function	Day view, Hour view, Back Step, Rewind, Pause, Play, Fast Forward, Slow, Step, Snap, Sound on/off, Zoom, Backup to U-Disk
Backup Mode	USB
<b>HDD</b>	
Interface Type	2 SATA Interface
Capacity	Up to 6 TB capacity for each disk
<b>General</b>	
Power Supply	DC12V
Consumption	≤ 20W
Working Temperature	0°C~ 55°C
Working Humidity	10% to 90%
Dimensions	405×338×135mm (15.9×13.3×5.3 inch)
Weight	≤ 3kg (6.6 lb.)

# XVR 5-in-1

## 8CH Digital Video Recorder

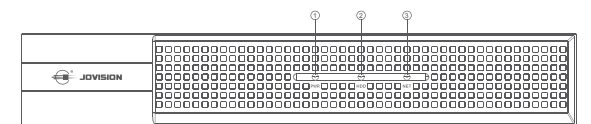


JVS-XD2508-HL10V

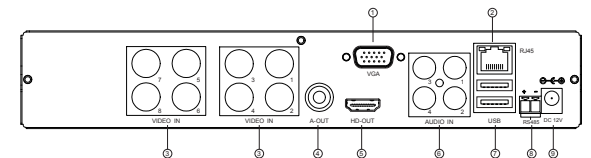


### Features

- Support H.265+ encoding, ultra-low bitrates, compatible with H.265 surroundings.
- Support VGA, HDMI HD output simultaneously.
- Support various mobile monitoring (ios, android).
- Support UTC, control signal& video stream transmit through one single coaxial.
- Support AHD/TVI/CVI/CVBS/IP five signals.
- Support multi-languages.
- Support IVP.



①Power Light ②HDD Light ③ Network indicator light



Index	Description	Index	Description
①	VGA Interface	⑥	AUDIO IN
②	LAN Network Interface	⑦	USB Interface
③	VIDEO IN	⑧	RS-485 Serial Interface
④	AUDIO OUT	⑨	12V DC Power Input
⑤	HDMI Interface		

### Specifications

Model	JVS-XD2508-HL10V
<b>Video and Audio</b>	
Analog Camera Input	8 Channel, BNC
HDCVI Camera	1080P@25/30fps, 720P@25/30fps
AHD Camera	5MP, 1080P@25/30, 720P@25/30fps
TVI Camera	1080P@25/30, 720P@25/30fps
CVBS Camera	PAL/NTSC
IP Camera Input	up to 5MP
Video port configuration	Full HD: 8CH Hybrid: 4CH+4CH Full Network: 8CH
Audio In/Out	4/1, RCA
Two-way Talk	1CH RCA
<b>Recording</b>	
Compression	H.264+/H.265+
Resolution	5MP,1080P, 1080N, 720P, WD1
Record Rate	Main stream:5MP(1~20fps),1080P(1~25fps), 1080N/720P/960H/D1(1~25fps) Sub stream: D1/CIF(1~8/12fps)
Record Mode	Manual, Schedule (General, Continuous), MD (Motion Detection, Video Loss, IVP), Alarm Device
Audio Compression	G.711U
<b>Display</b>	
Interface	1xHDMI, 1xVGA
Resolution	1280*1024, 1024*768, 1280*800, 1440*900, 1920*1080
OSD	Device ID, Time, Record Setting, Alarm setup, Audio, Camera title
<b>Network</b>	
Interface	1 RJ-45 Port (100M)
Network Function	TCP/IP, DHCP, DNS, DDNS, HTTPS,HTTP,
Smart Phone	iPhone, Android
Interoperability	ONVIF 2.4, CGI Conformant
<b>Playback and Backup</b>	
Playback	8CH
Search Mode	Time /Date, Alarm, MD, IVP, Auto, Scheduled
Playback Function	Day view, Hour view, Back Step, Rewind, Pause, Play, Fast Forward, Slow, Step, Snap, Sound on/off, Zoom, Backup to U-Disk
Backup Mode	USB
<b>HDD</b>	
Interface Type	1 SATA Interface
Capacity	Up to 6 TB capacity for each disk
<b>General</b>	
Power Supply	DC12V
Consumption	≤10W
Working Temperature	0°C~ 55°C
Working Humidity	10% to 90%
Dimensions	260x255x45mm
Weight	≤ 950g

# XVR 5-in-1 16CH Digital Video Recorder

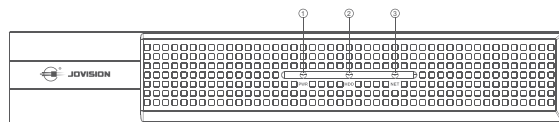


## JVS-XD2516-HM10V

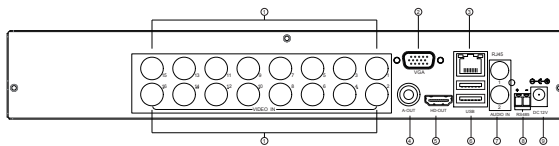


### Features

- Support H.265+ encoding, ultra-low bitrates, compatible with H.265 surroundings.
- Support VGA, HDMI HD output simultaneously.
- Support various mobile monitoring (ios, android).
- Support UTC, control signal& video stream transmit through one single coaxial.
- Support AHD/TVI/CVI/CVBS/IP five signals.
- Support multi-languages.
- Support IVP.



① Power Light ② HDD Light ③ Network indicator light



Index	Description	Index	Description
①	VGA Interface	⑥	USB Interface
②	LAN Network Interface	⑦	AUDIO IN
③	VIDEO IN	⑧	RS-485 Serial Interface
④	AUDIO OUT	⑨	12V DC Power Input
⑤	HDMI Interface		

### Specifications

Model	JVS-XD2516-HM10V
<b>Video and Audio</b>	
Analog Camera Input	16Channel, BNC
HDCVI Camera	1080P@25/30fps, 720P@25/30fps
AHD Camera	5MP, 1080P@25/30, 720P@25/30fps
TVI Camera	1080P@25/30, 720P@25/30fps
CVBS Camera	PAL/NTSC
IP Camera Input	up to 5MP
Video port configuration	Full HD: 16CH
	Hybrid: 8CH+8CH
	Full Network: 16CH
Audio In/Out	2/1, RCA
Two-way Talk	1CH RCA
<b>Recording</b>	
Compression	H.264+/H.265+
Resolution	5MP, 1080P, 1080N, 720P, WD1
Record Rate	Main stream: 5M(1~20fps), 1080P(1~25fps), 1080N/720P/960H/D1(1~25fps)
	Sub stream: D1/CIF(1~8/12fps)
Record Mode	Manual, Schedule (General, Continuous), MD (Motion Detection, Video Loss, IVP), Alarm Device
Audio Compression	G.711U
<b>Display</b>	
Interface	1x HDMI, 1x VGA
Resolution	1280x1024, 1024x768, 1280x800, 1440x900, 1920x1080
OSD	Device ID, Time, Record Setting, Alarm setup, Audio, Camera title
<b>Network</b>	
Interface	1 RJ-45 Port (100M)
Network Function	TCP/IP, DHCP, DNS, DDNS, HTTPS, HTTP
Smart Phone	iPhone, Android
Interoperability	ONVIF
<b>Playback and Backup</b>	
Playback	16CH
Search Mode	Time /Date, Alarm, MD, IVP, Auto, Scheduled
Playback Function	Day view, Hour view, Back Step, Rewind, Pause, Play, Fast Forward, Slow, Step, Snap, Sound on/off, Zoom, Backup to U-Disk
Backup Mode	USB
<b>HDD</b>	
Interface Type	1 SATA Interface
Capacity	Up to 6 TB capacity for each disk
<b>General</b>	
Power Supply	DC12V
Consumption	≤ 8 W
Working Temperature	0°C~ 55°C
Working Humidity	10% to 90%
Dimensions	260x255x45mm
Weight	≤ 1.1 kg