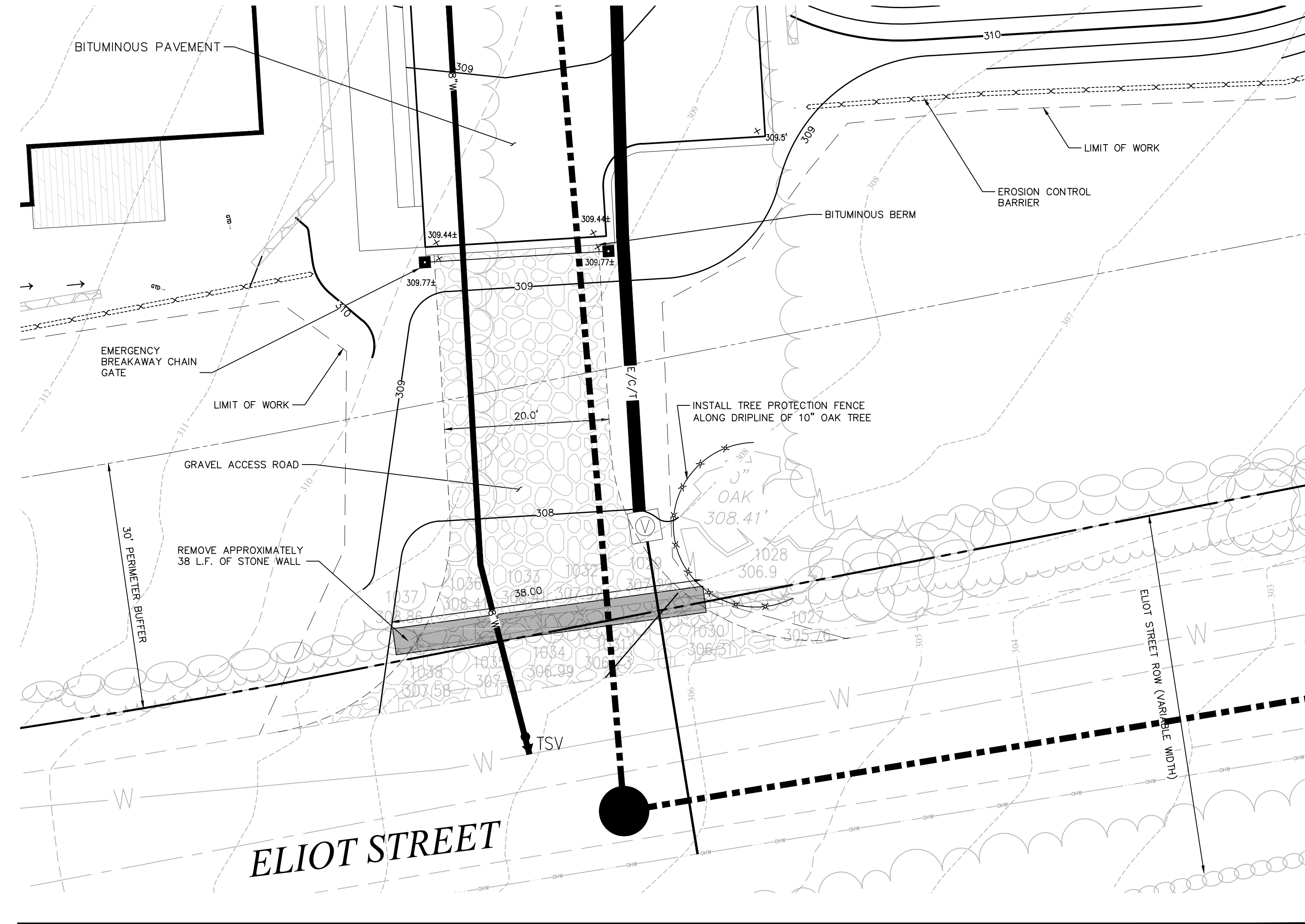
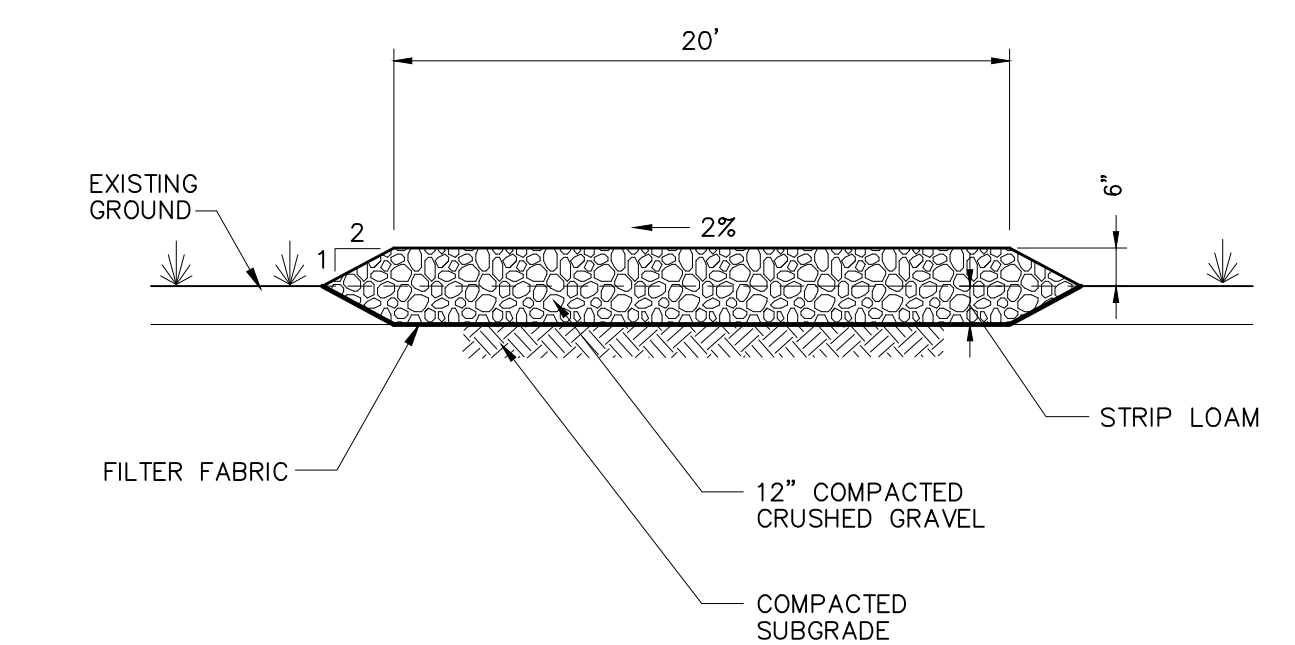


Chestnut Street Entrance

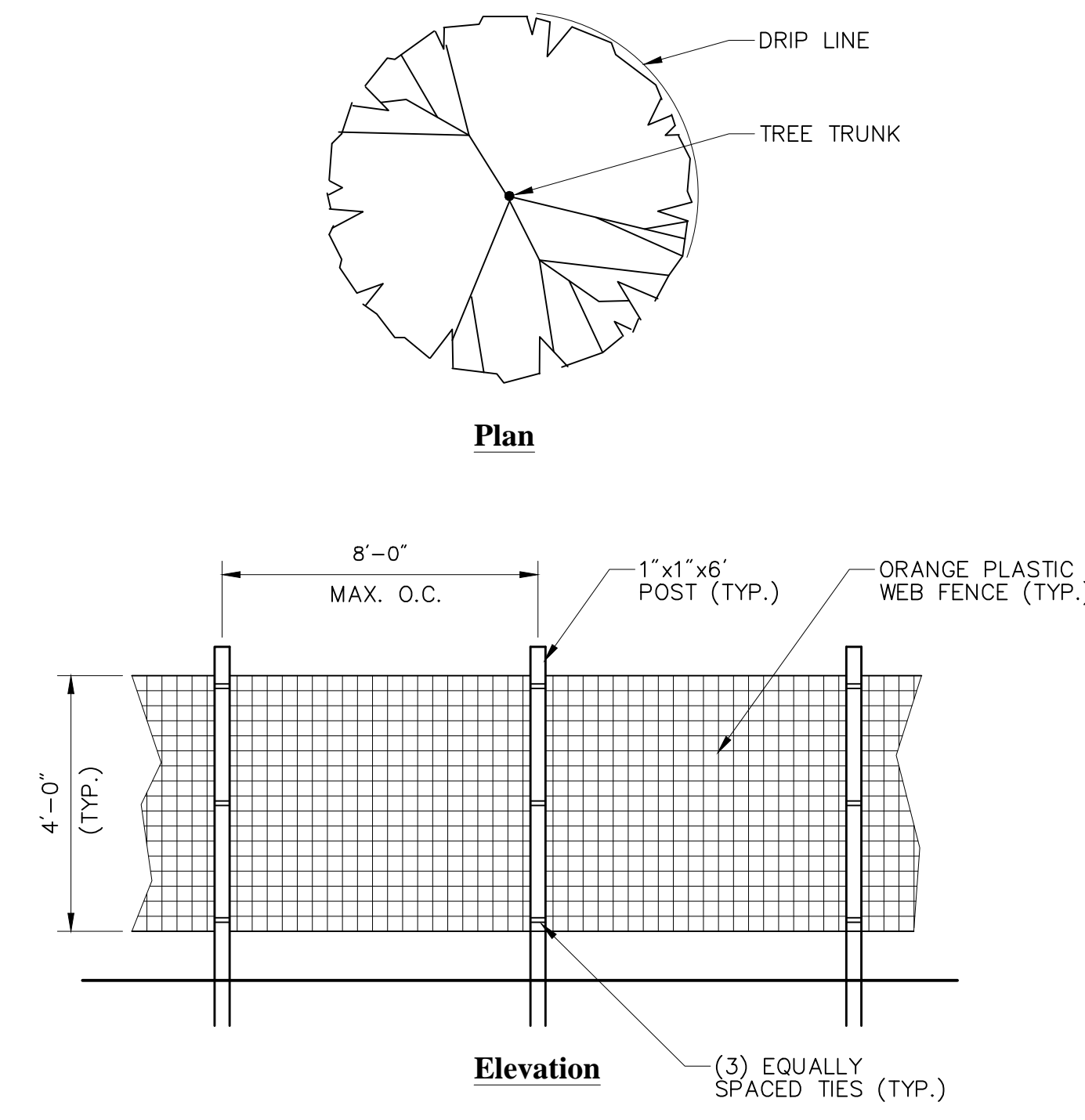


Eliot Street Entrance



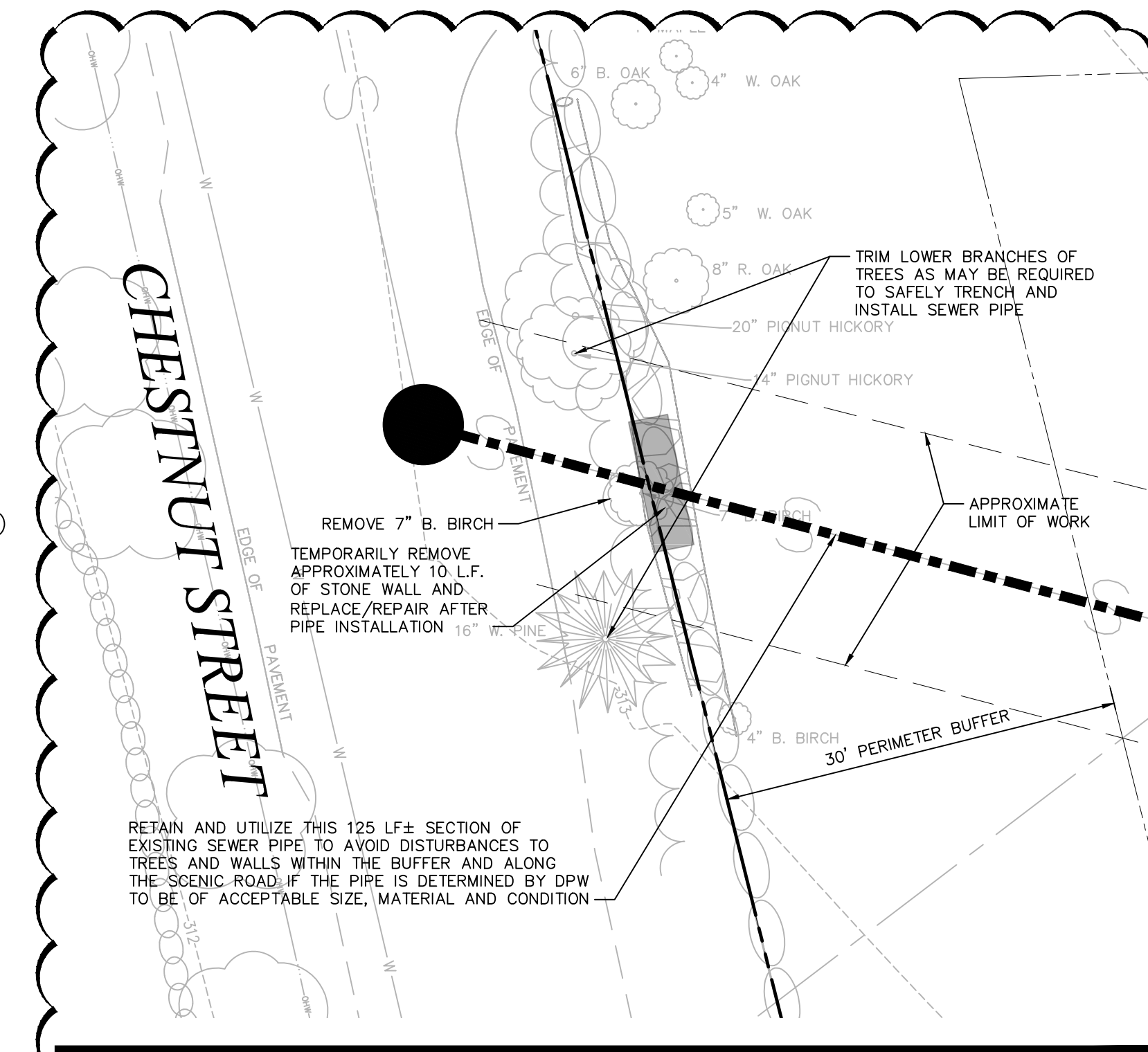
Gravel Access Road

N.T.S. Source: VHB



Notes:
1. INSTALL TREE PROTECTION FENCE AT THE DRIP LINE OF EXISTING TREES TO REMAIN.
N.T.S. Source: VHB 7/13 LD_610

Tree Protection Fence



Chestnut Street Sewer Connection

NOTE: PROPOSED WORK SHOWN IS ONLY NECESSARY IF EXISTING SEWER PIPE FROM SITE TO CHESTNUT STREET IS REPLACED



The Lanterns at Warren Woods
466 Chestnut Street
Ashland, Massachusetts

No.	Revision	Date	App'd.
1	RESPONSE TO REVIEW COMMENTS	9/17/15	CRQ

Designed by: _____ Checked by: _____
Issued for: _____ Date: July 1, 2015

Special Permit

Not Approved for Construction
Scenic Road Alteration Plan

Drawing Number
Project Number
13050.00

CURTIS R. QURTZAU
CIVIL
No. 42890
REGISTERED PROFESSIONAL ENGINEER
9-17-15

C-11

Sheet of 35
27 35

Project Number 13050.00