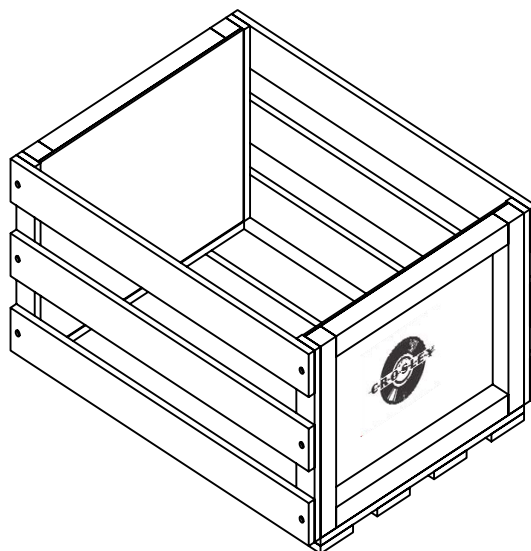


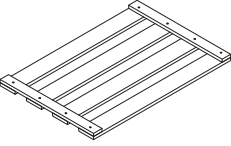
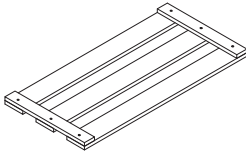
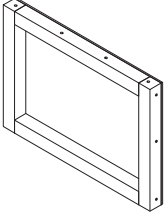


Record Storage Crate

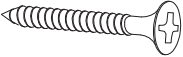
AC1004A



PART LIST

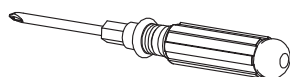
A 	B 	C 
Bottom Panel 1pc	Long Side Panel 2pcs	Short Side Panel 2pcs

HARDWARE LIST

#1 
1"xØ4xD8 Screw 22pcs (Extra 2)

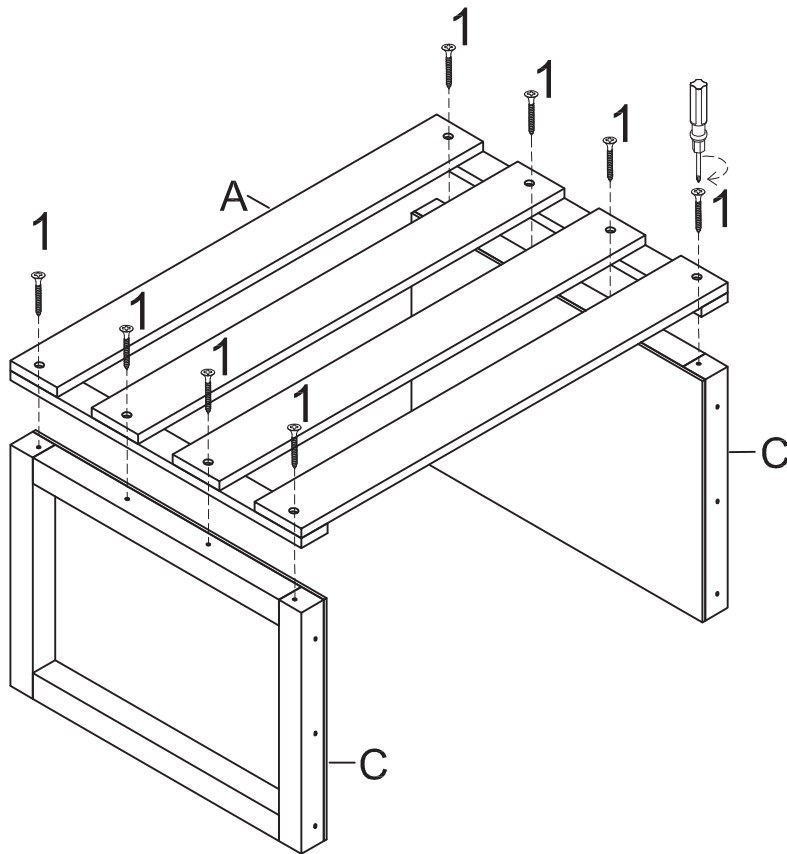
ADDITIONAL TOOLS (Not Provided)

Note: It is not recommended to use power tools during assembly. However a screw gun can assist with mounting .



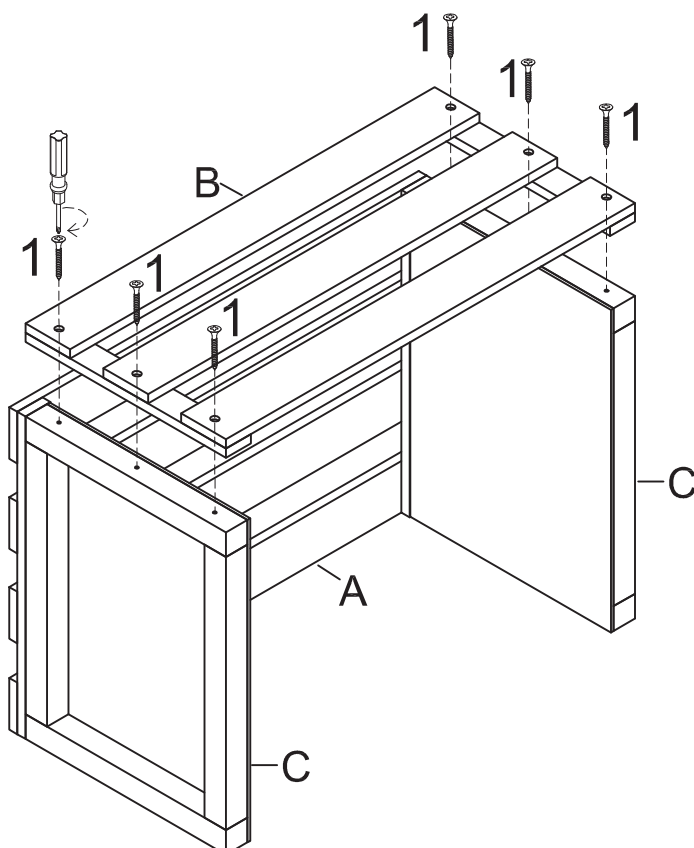
Phillips Head Screw Driver

Step 1. Attach Bottom Panel (A) to Short Side Panels (C) with Screws (1) using phillips head screw driver .



#1  x 8

Step 2. Attach Long Side Panel (B) to Short Side Panels (C) with Screws (1) using phillips head screw driver . Repeat this step to the another long side panel .



#1  x 12

Step 3. Turn the crate upright .

